



US00D634926S

(12) **United States Design Patent**
Drollinger

(10) **Patent No.:** **US D634,926 S**

(45) **Date of Patent:** **** Mar. 29, 2011**

(54) **RUCKSACK FOR SEATING**

(76) Inventor: **Peter E. Drollinger**, Bad Herrenalb
(DE)

(**) Term: **14 Years**

(21) Appl. No.: **29/351,292**

(22) Filed: **Dec. 3, 2009**

(30) **Foreign Application Priority Data**

Jun. 3, 2009 (DE) 40 2009 002 705

(51) **LOC (9) Cl.** **03-03**

(52) **U.S. Cl.** **D3/216**

(58) **Field of Classification Search** D3/216,
D3/217, 269, 270, 271.1; D9/600, 617; D99/39;
D11/117, 121, 127, 128; 224/155; D6/336
See application file for complete search history.

(56) **References Cited**

U.S. PATENT DOCUMENTS

4,392,598 A * 7/1983 Dixon 224/155
D284,910 S * 8/1986 Handy D6/336
4,720,029 A * 1/1988 Varanakis 224/155
5,419,281 A * 5/1995 Williams et al. 119/497
5,620,227 A * 4/1997 Brune 297/4

6,145,716 A * 11/2000 Caicedo 224/155
6,345,862 B1 * 2/2002 Meinburg 297/55
D458,018 S * 6/2002 Mentken D3/217
D485,432 S * 1/2004 Desrochers D3/216

* cited by examiner

Primary Examiner — Ian Simmons

Assistant Examiner — Charles D Hanson

(74) *Attorney, Agent, or Firm* — Volpe and Koenig, PC

(57) **CLAIM**

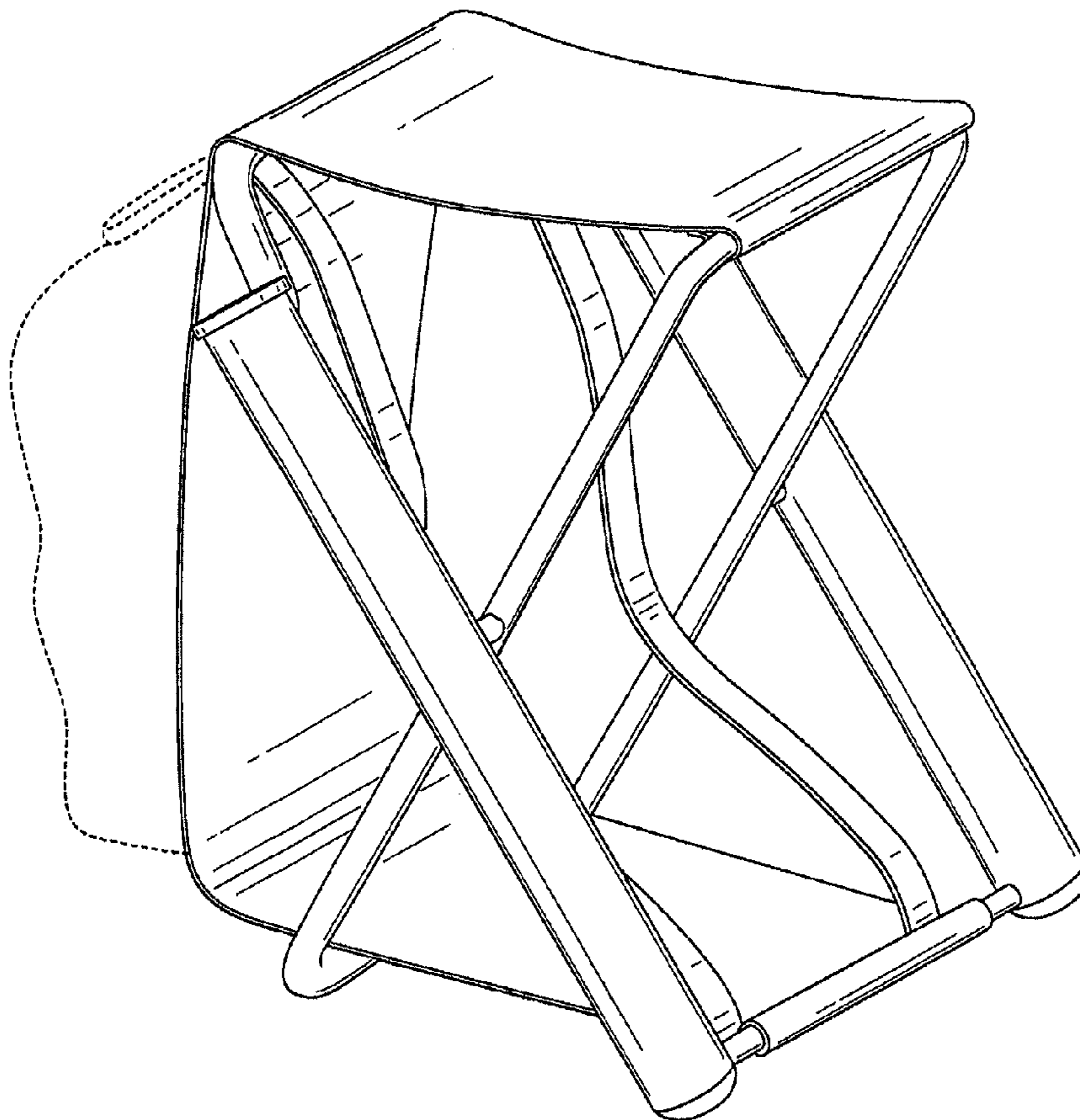
The ornamental design for a rucksack for seating, as shown and described.

DESCRIPTION

FIG. 1 is a front perspective view of a rucksack for seating showing my new design;
FIG. 2 is a front elevation view thereof;
FIG. 3 is a rear elevation view thereof;
FIG. 4 is a left side elevation view thereof;
FIG. 5 is a right side elevation view thereof;
FIG. 6 is a top view thereof; and,
FIG. 7 is a bottom view thereof.

The broken lines shown in the Figures form no part of the claimed design.

1 Claim, 7 Drawing Sheets



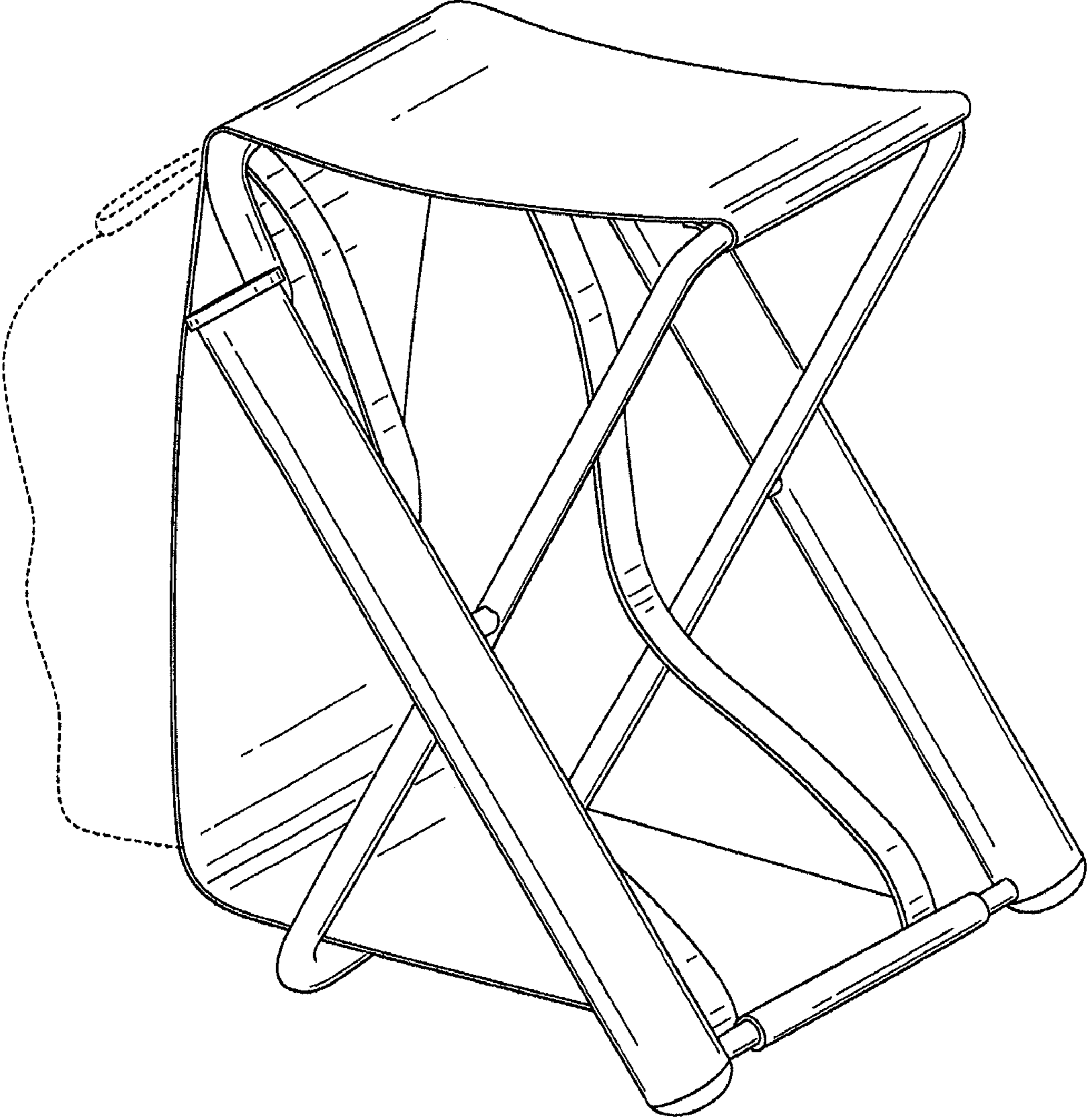


FIG. 1

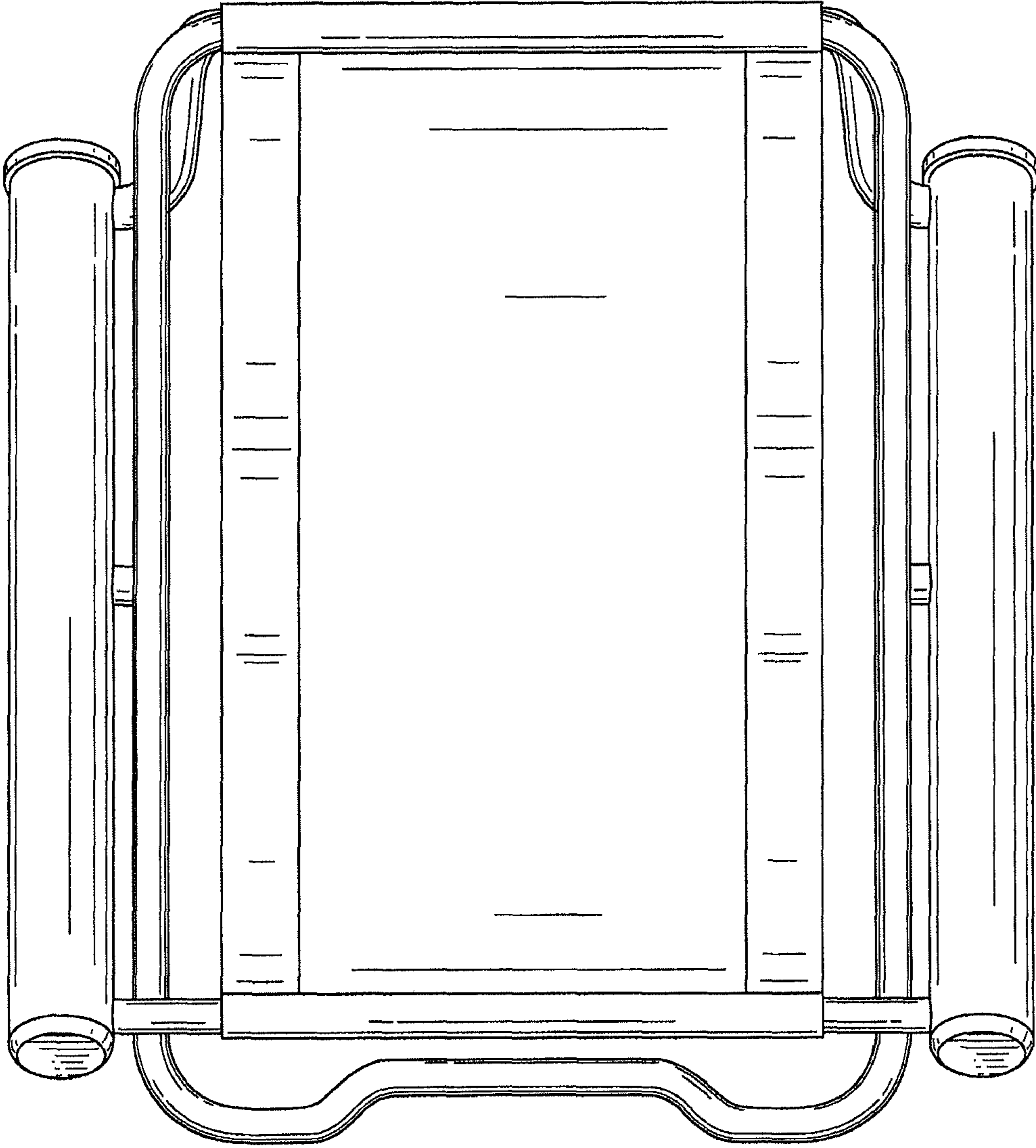


FIG. 2

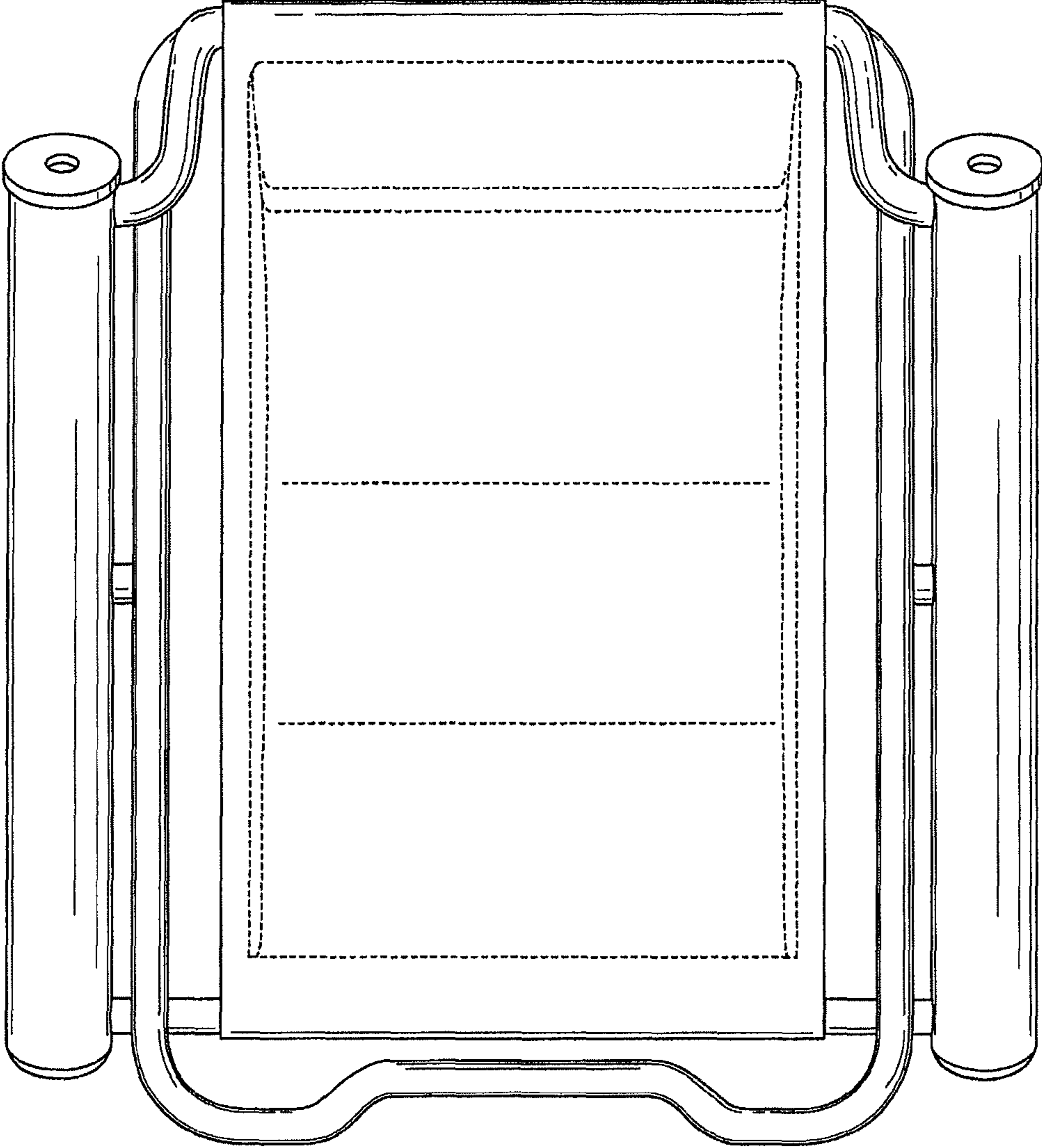


FIG. 3

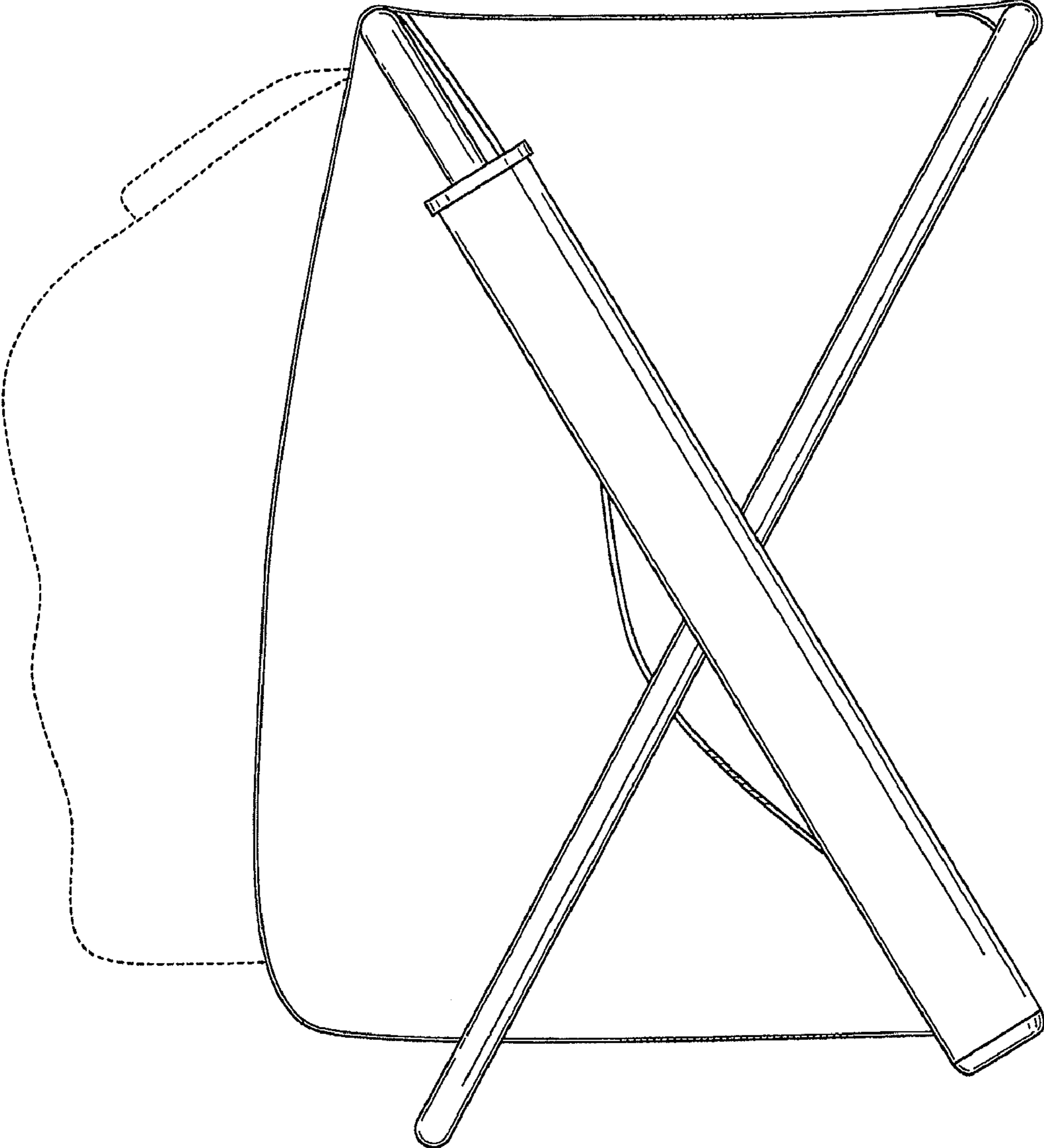


FIG. 4

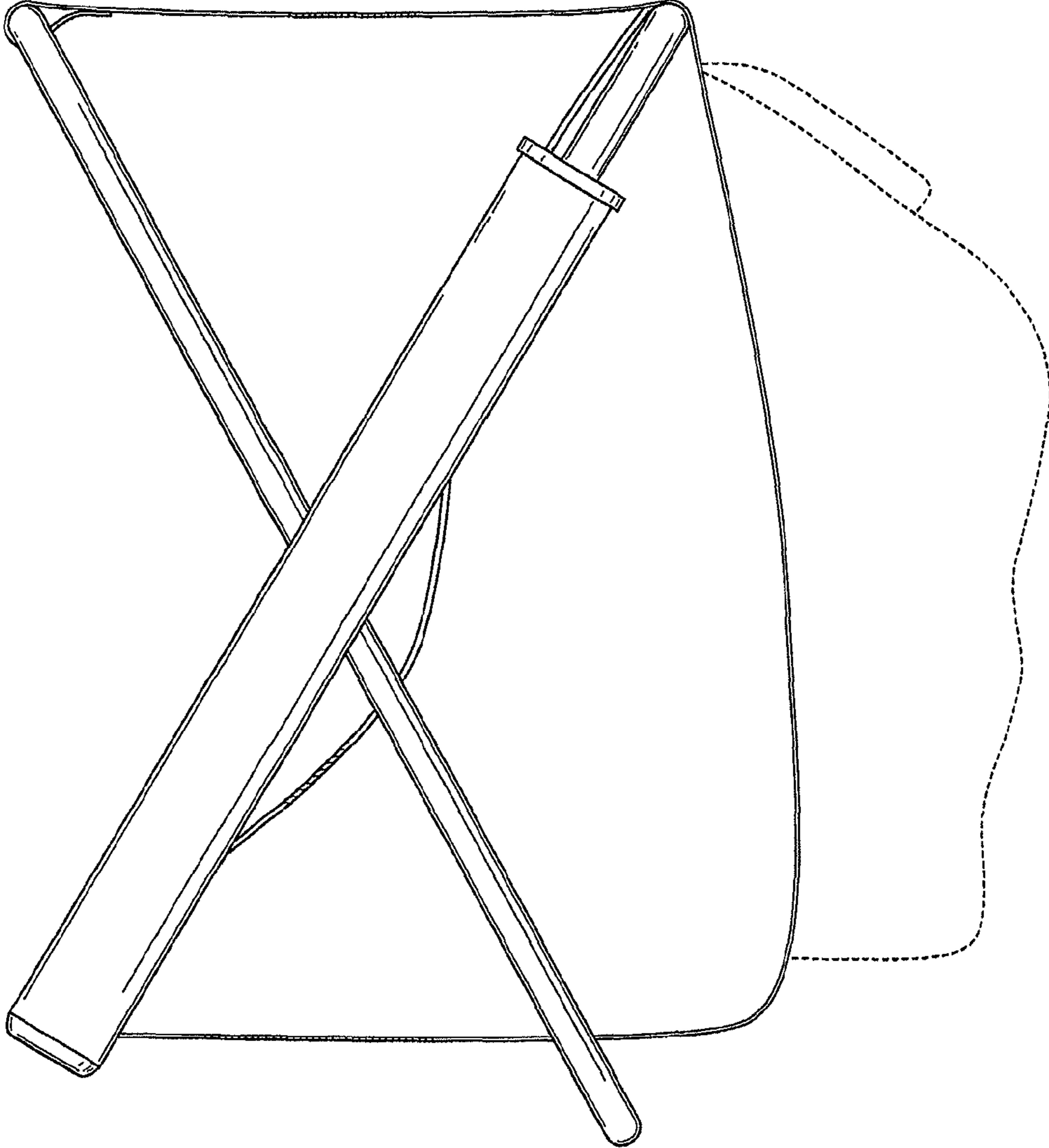


FIG. 5

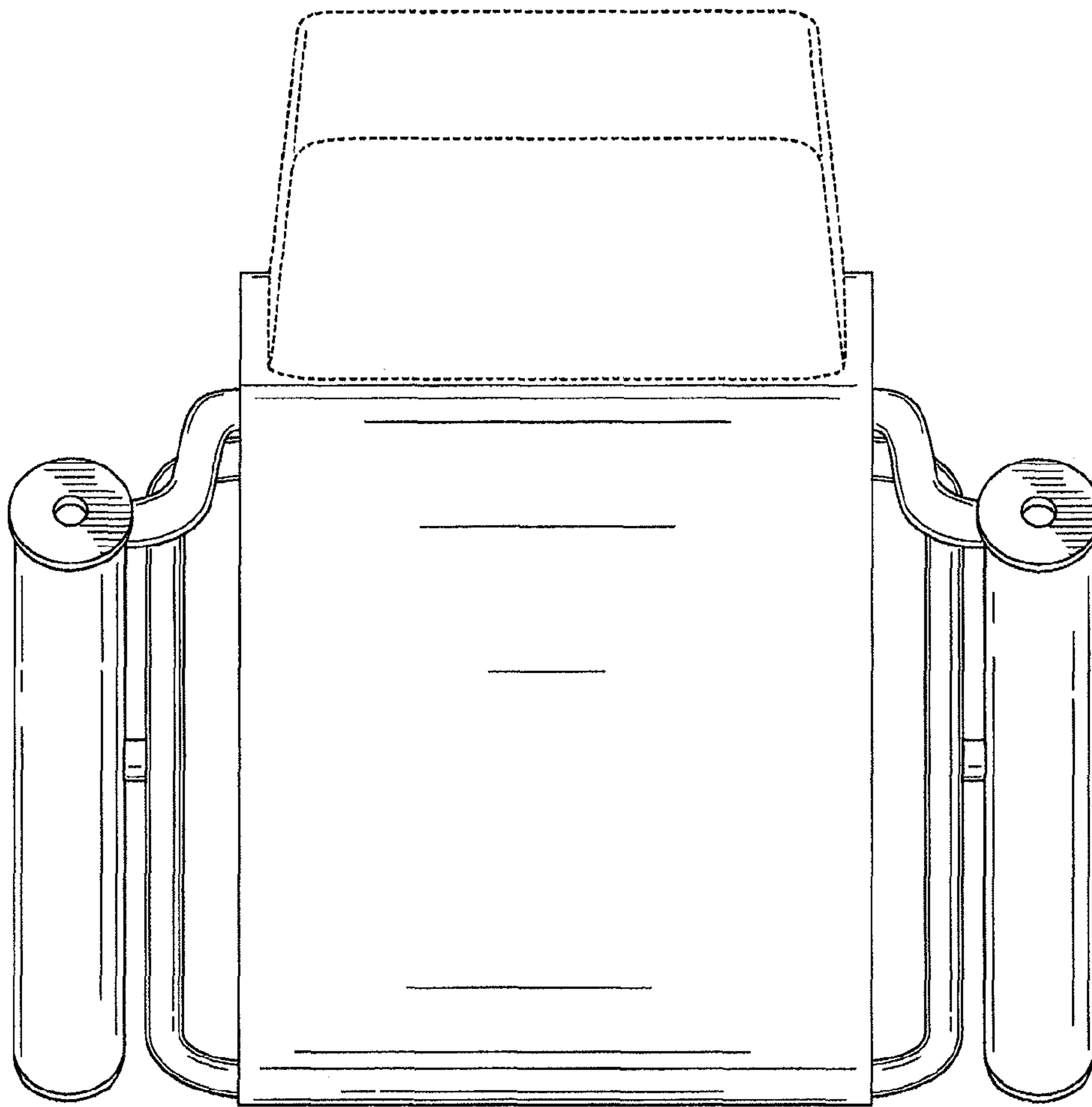


FIG. 6

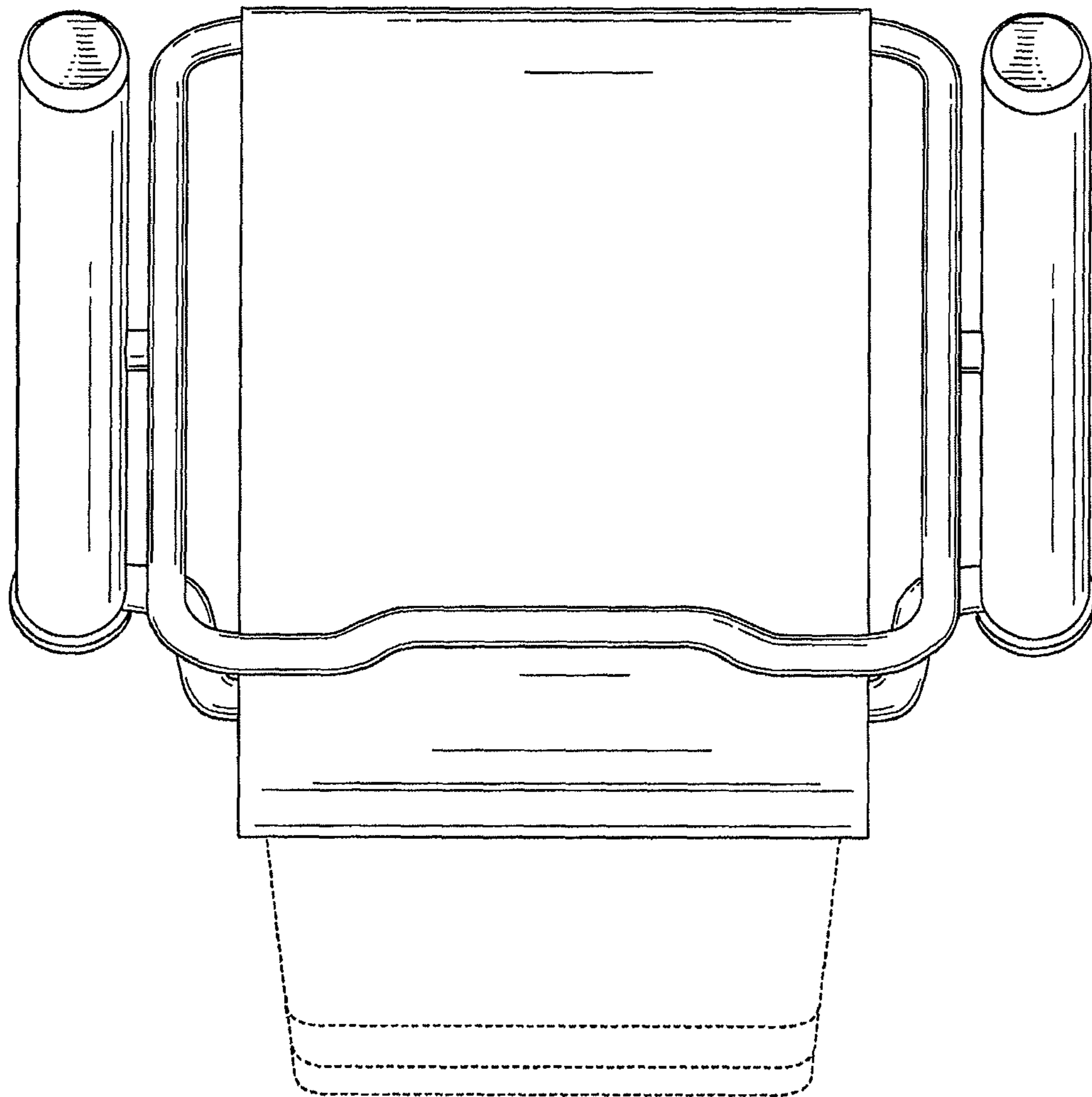


FIG. 7