



US00D634914S

(12) **United States Design Patent**  
**Marroquin**

(10) **Patent No.:** **US D634,914 S**

(45) **Date of Patent:** **\*\* Mar. 22, 2011**

(54) **COMBINED PNEUMATIC VEHICLE JACK AND COMPRESSOR**

(76) Inventor: **Josue N. Marroquin**, Brentwood, NY (US)

(\*\*) Term: **14 Years**

(21) Appl. No.: **29/365,195**

(22) Filed: **Jul. 6, 2010**

(51) **LOC (9) Cl.** ..... **12-05**

(52) **U.S. Cl.** ..... **D34/31**

(58) **Field of Classification Search** ..... D34/31;  
254/8 B, 93 H, 93 HP, 11, 84, 88, 1, 913,  
254/120, 124, 426, 126, DIG. 1, 133, 134

See application file for complete search history.

(56) **References Cited**

**U.S. PATENT DOCUMENTS**

D204,944	S	*	5/1966	Bair	.....	D34/31
4,589,630	A	*	5/1986	Arzouman	.....	254/7 B
4,598,898	A	*	7/1986	Hsu et al.	.....	254/93 H
4,746,097	A	*	5/1988	Chung et al.	.....	254/93 H
4,925,158	A		5/1990	Yang		
D313,492	S	*	1/1991	Hung	.....	D34/31
D327,764	S	*	7/1992	Davis	.....	D34/31
5,211,375	A		5/1993	Wang		
5,441,237	A		8/1995	Sweeney		
5,522,583	A		6/1996	Martin		

D424,776	S	*	5/2000	Wong	.....	D34/31
D426,931	S	*	6/2000	McKoy	.....	D34/31
6,585,231	B1	*	7/2003	Fratoni, Jr.	.....	254/93 H
6,877,200	B2		4/2005	Villarreal		
D537,604	S	*	2/2007	Redman	.....	D34/31
D569,574	S	*	5/2008	Turner	.....	D34/31
D595,472	S	*	6/2009	Kimura	.....	D34/31
2009/0173925	A1	*	7/2009	Turner	.....	254/93 H

\* cited by examiner

*Primary Examiner* — Cynthia E Ramirez

(74) *Attorney, Agent, or Firm* — Crossley Patent Law; Mark A. Crossley

(57) **CLAIM**

The ornamental design for a combined pneumatic vehicle jack and compressor, as shown and described.

**DESCRIPTION**

FIG. 1 is a front elevation view of a combined pneumatic vehicle jack and compressor showing my new design with the pneumatic vehicle jack, the compressor, and an adaptor separated for clarity;

FIG. 2 is a rear elevation view thereof;

FIG. 3 is a right elevation view thereof;

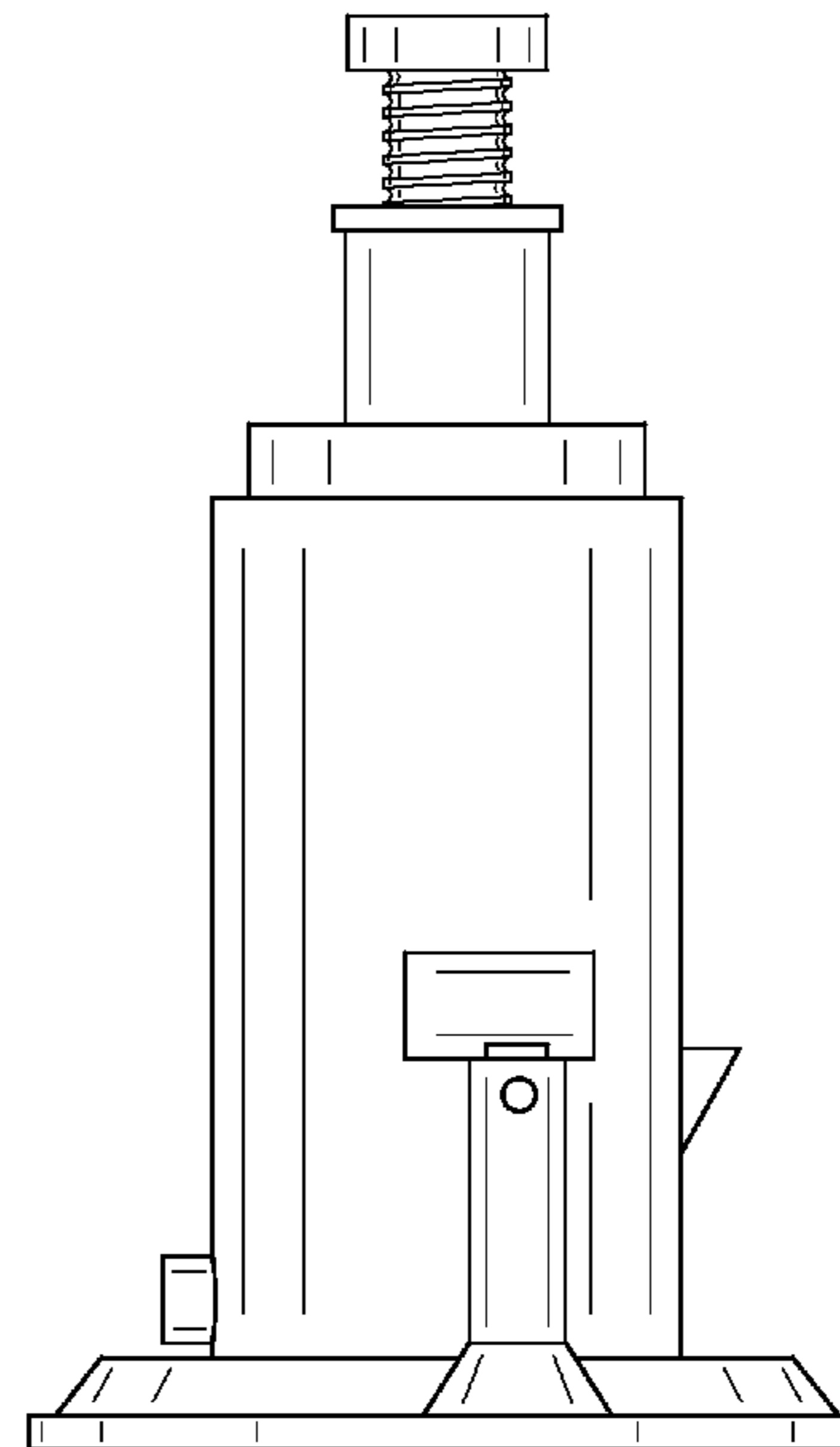
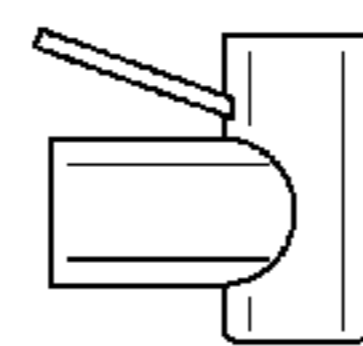
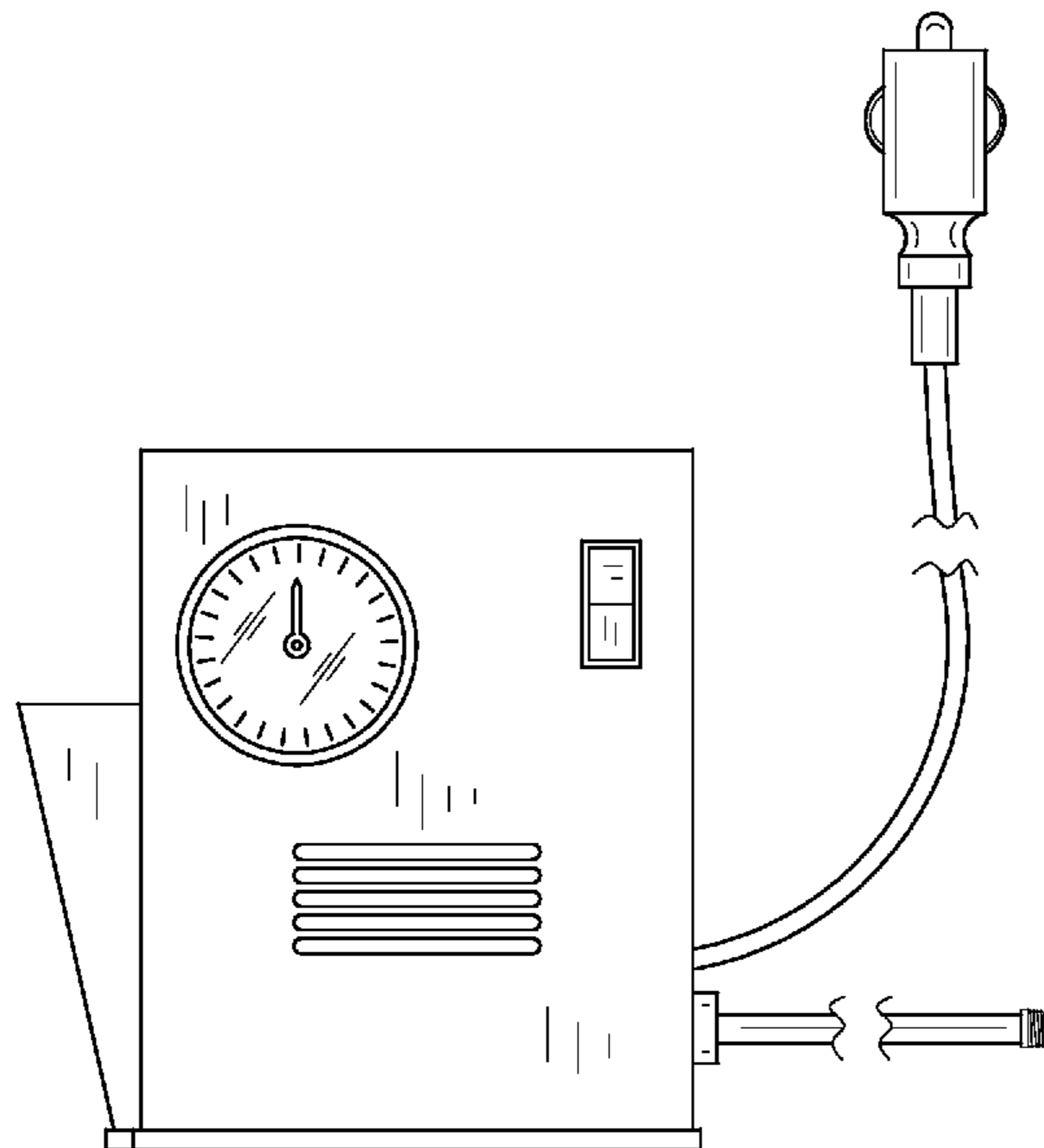
FIG. 4 is a left elevation view thereof;

FIG. 5 is a top plan view thereof;

FIG. 6 is a bottom plan view thereof; and,

FIG. 7 is an isometric view thereof.

**1 Claim, 6 Drawing Sheets**



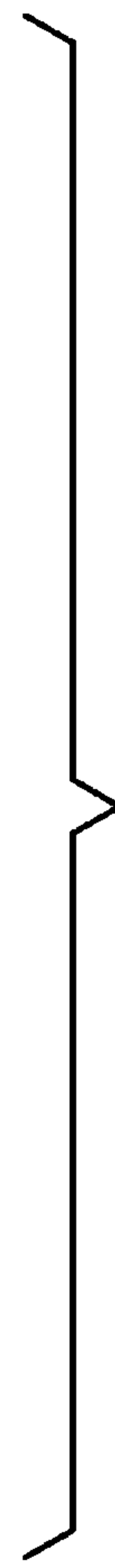
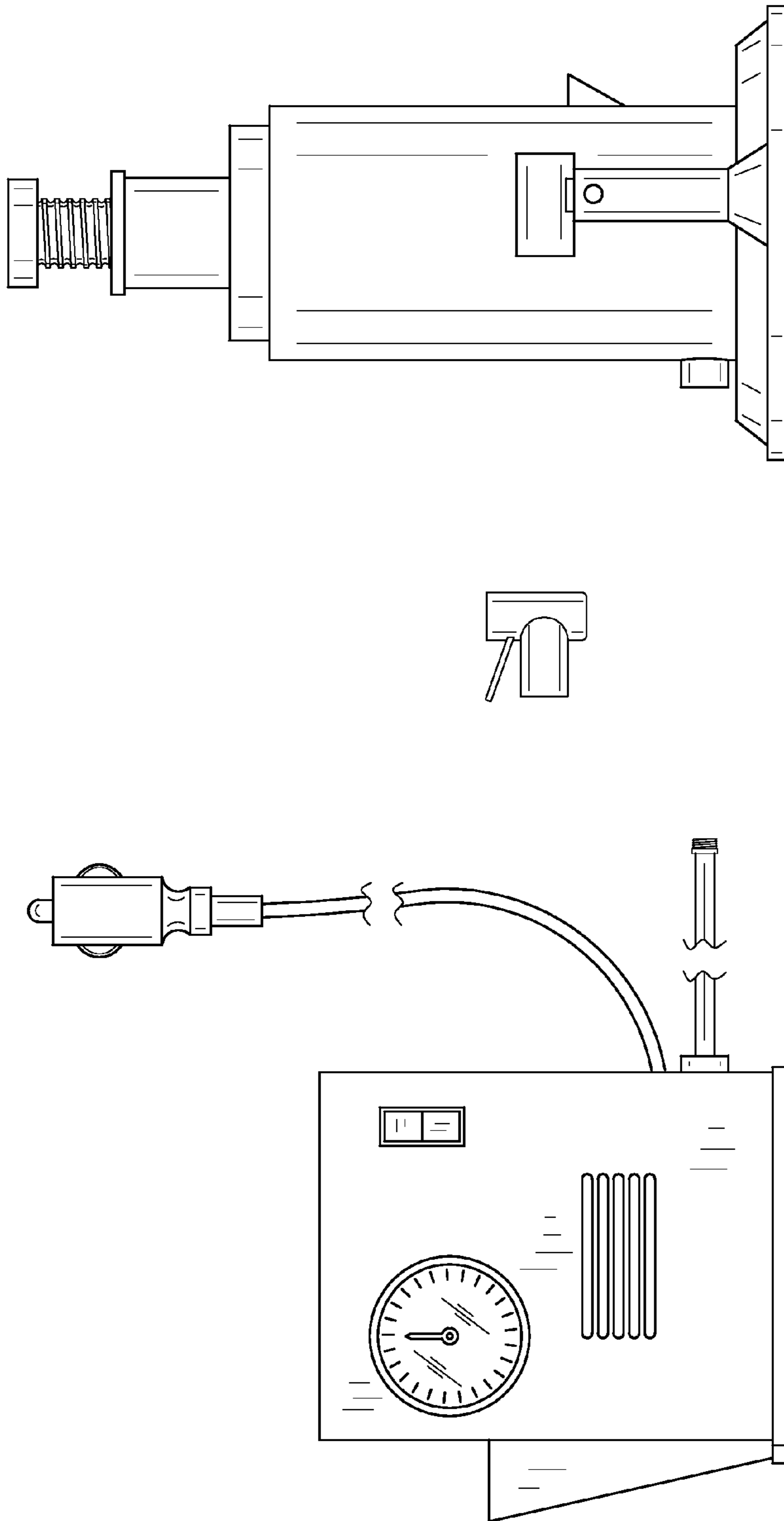


FIG. 1

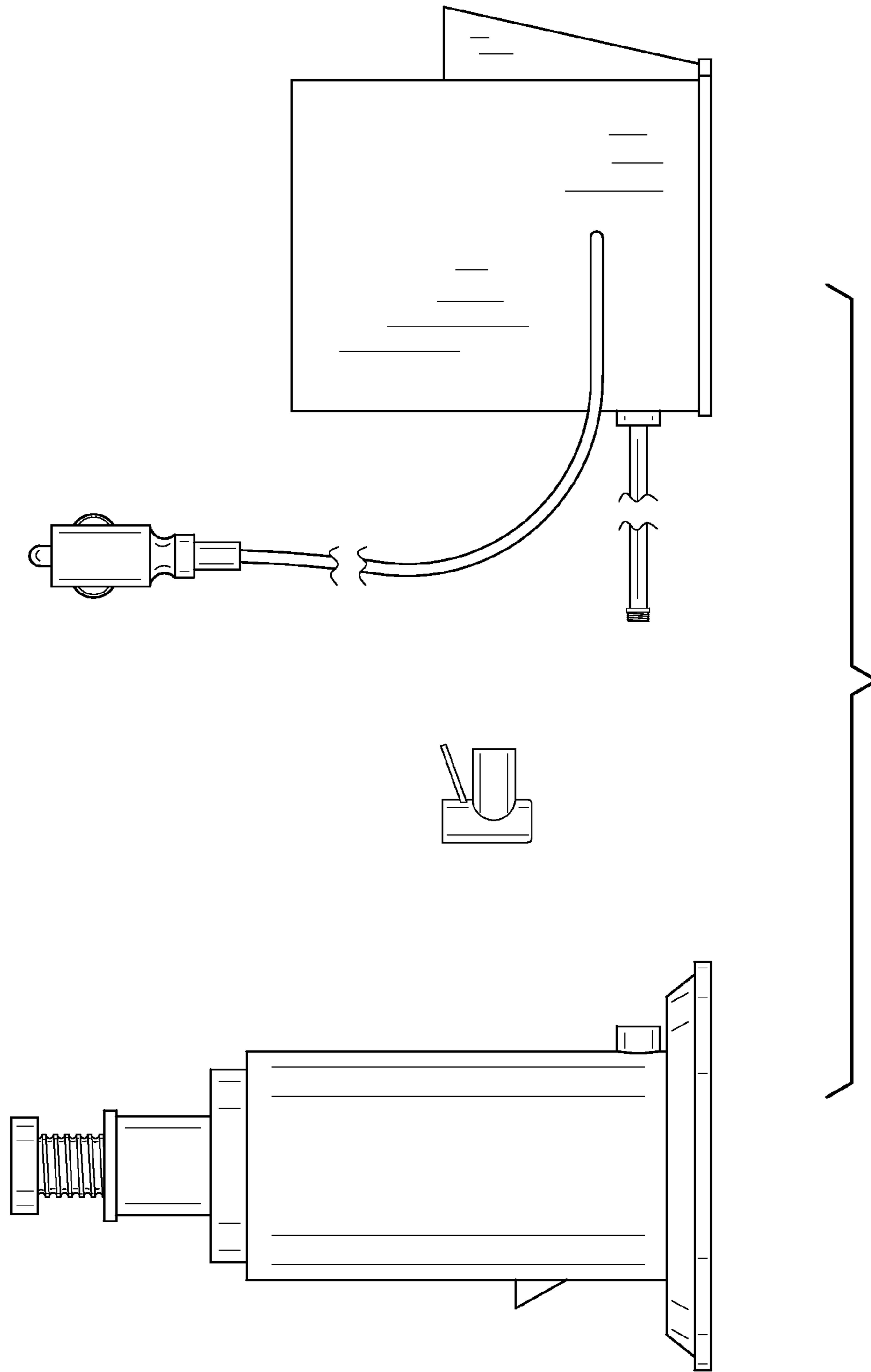


FIG. 2

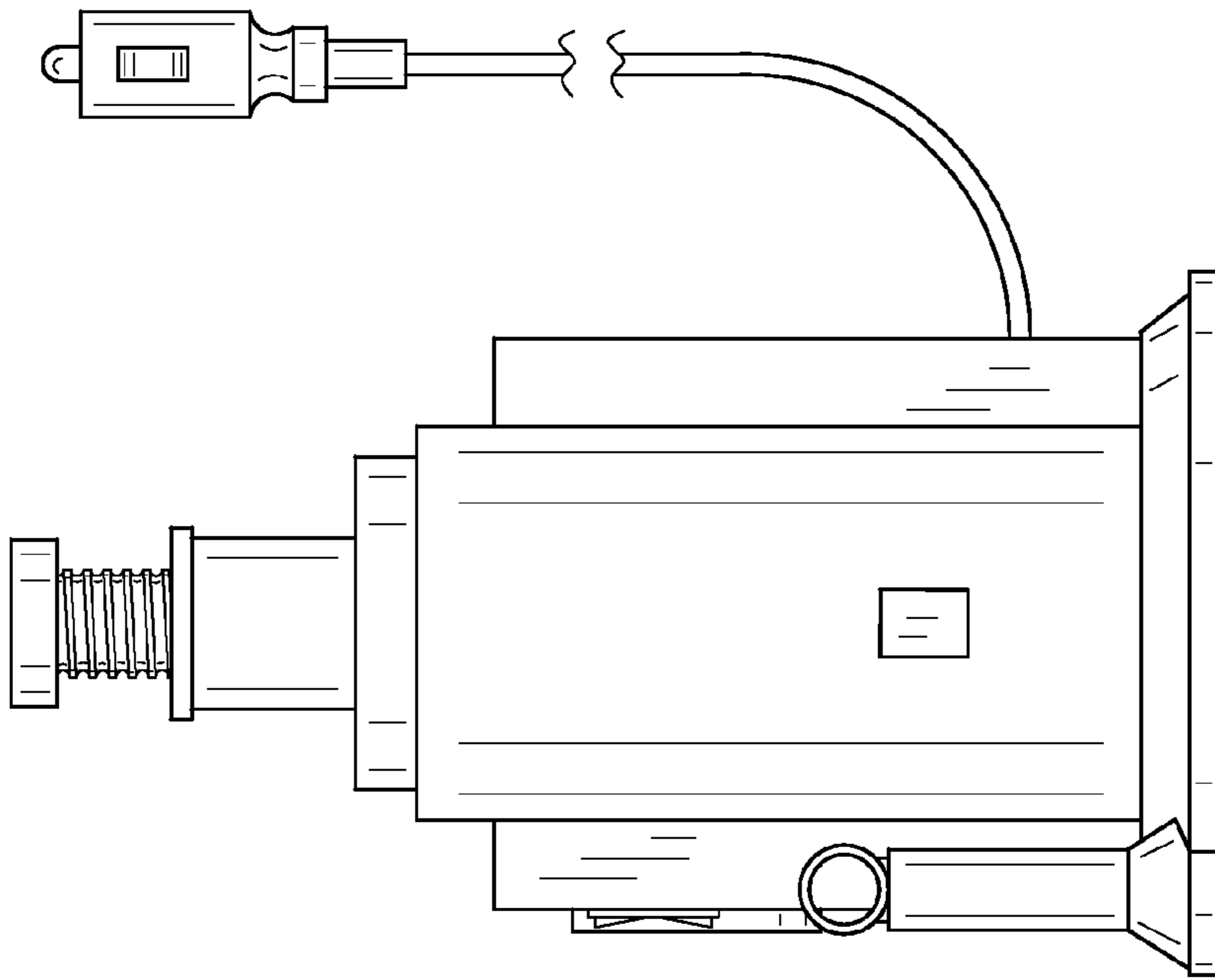


FIG. 4

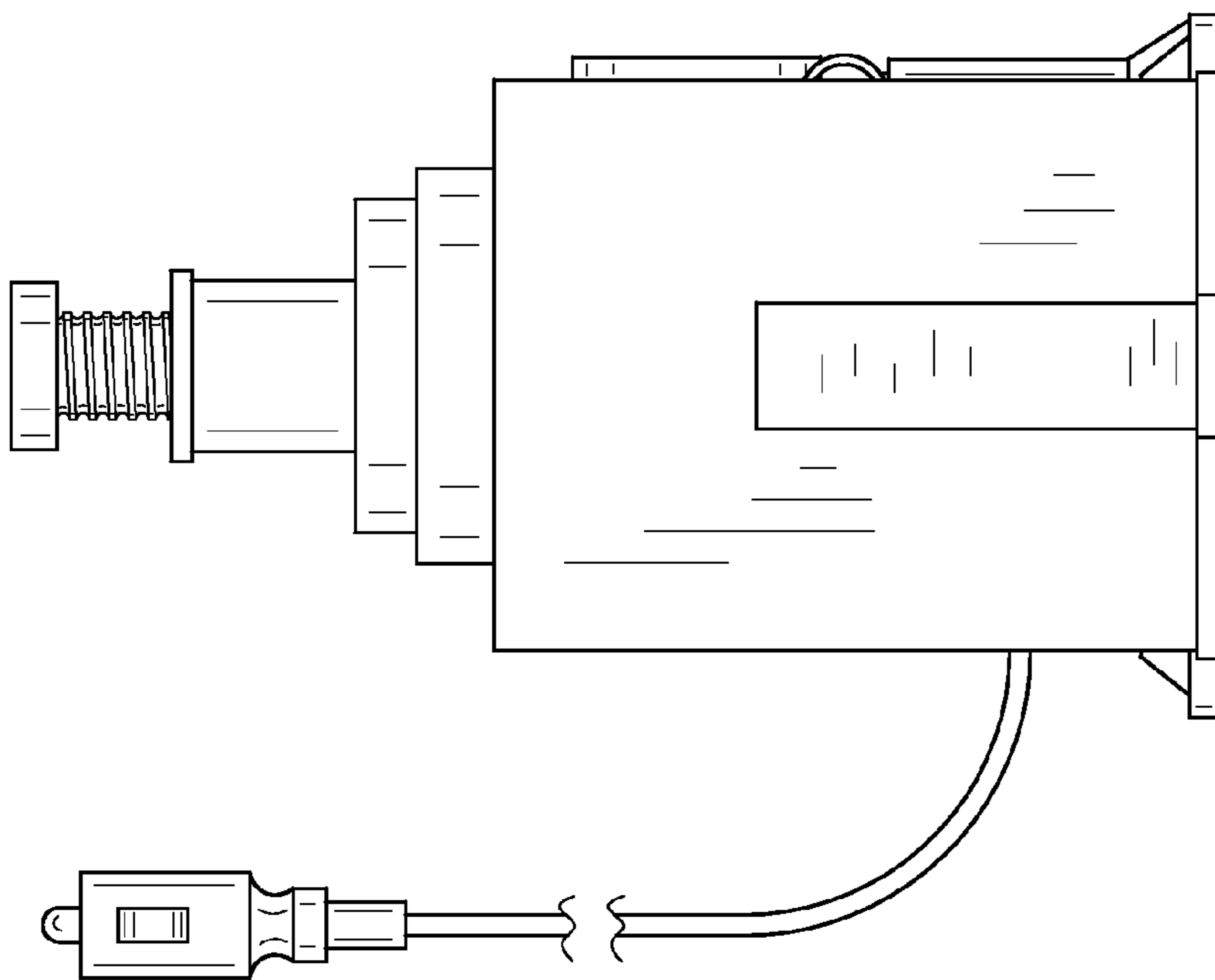


FIG. 3

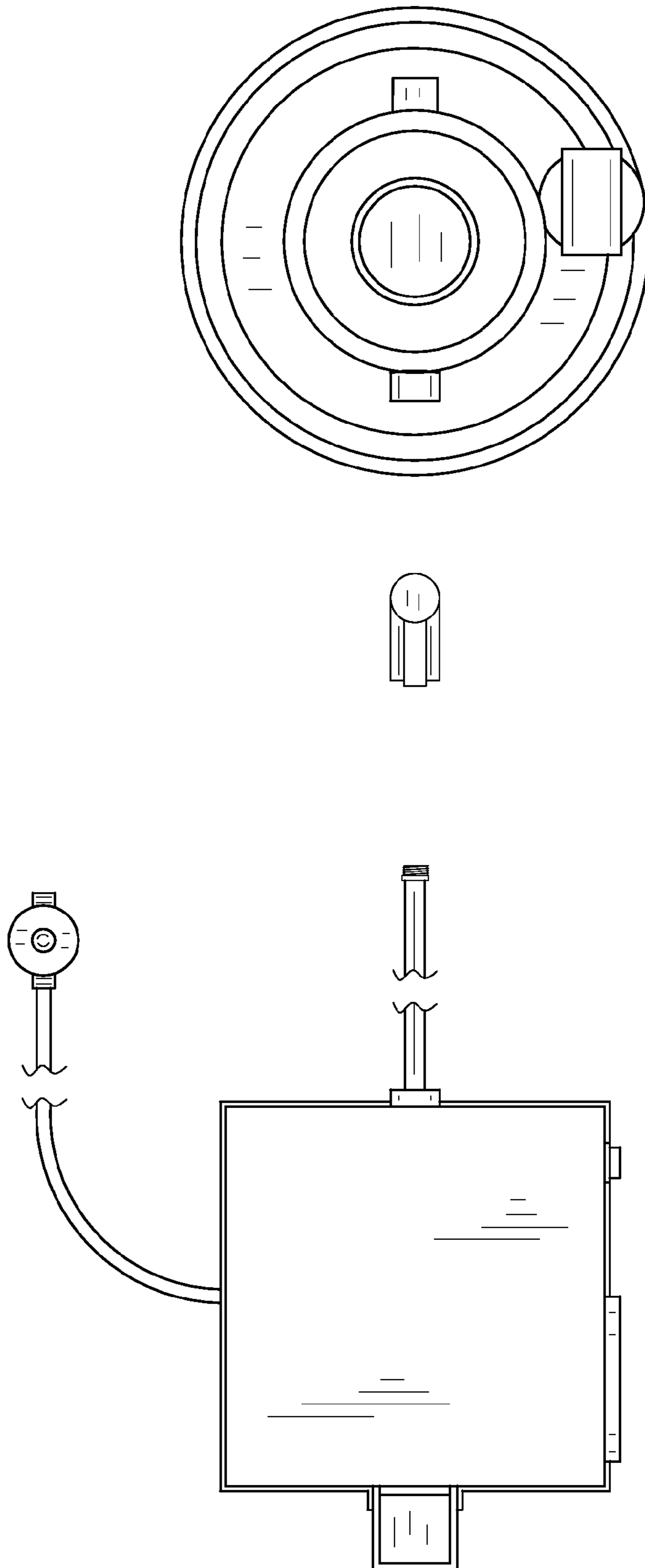


FIG. 5

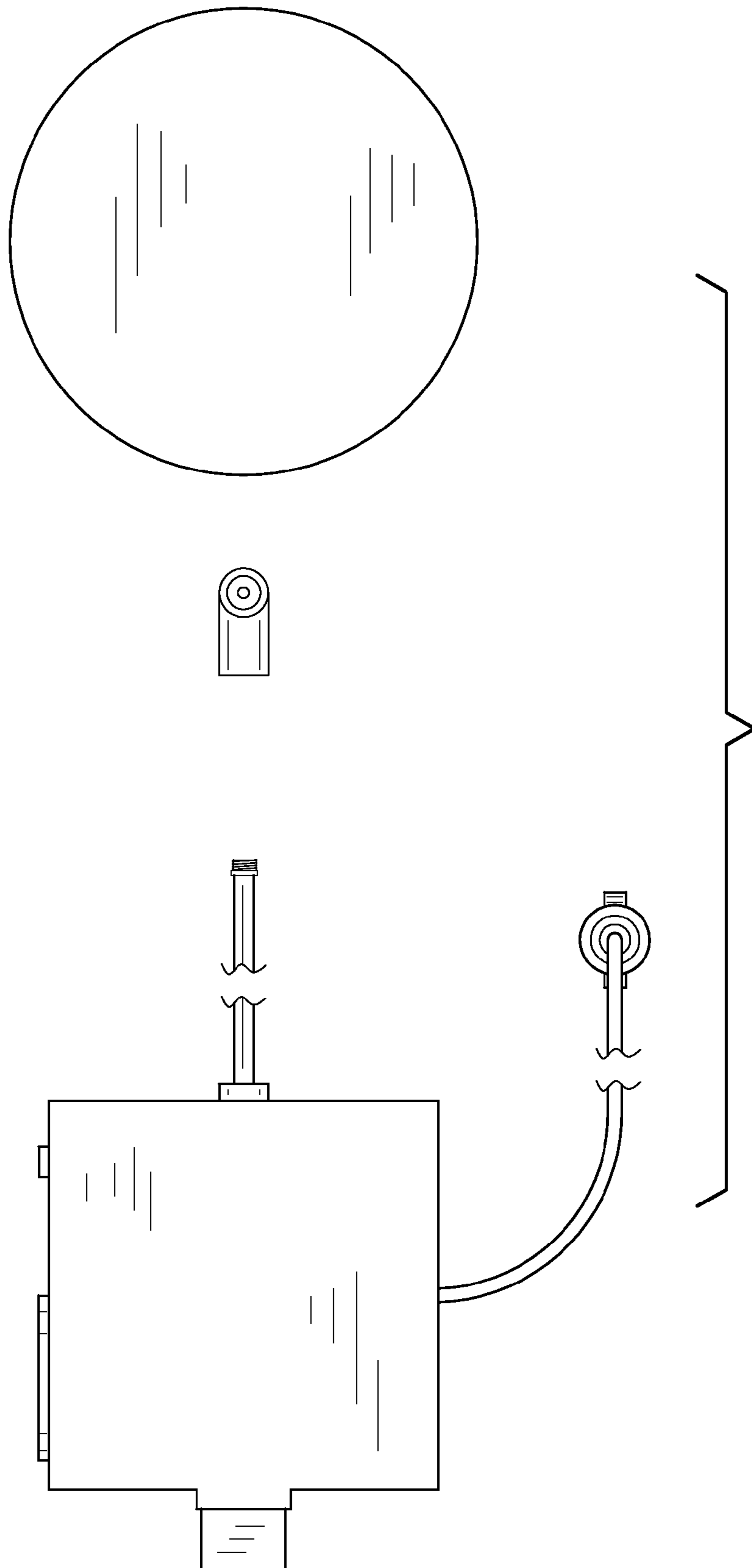


FIG. 6

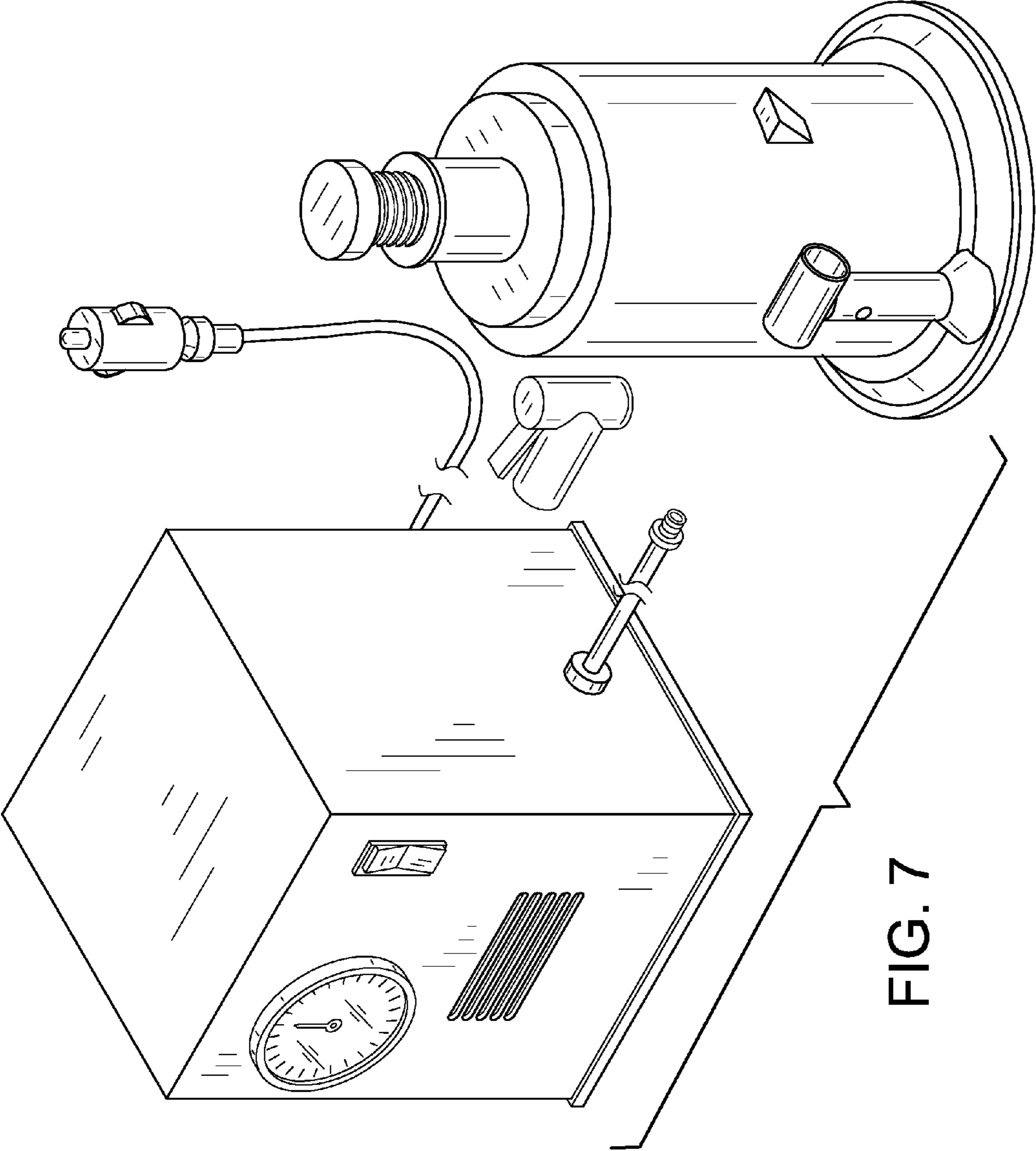


FIG. 7