



US00D634913S

(12) **United States Design Patent**  
**Xie**

(10) **Patent No.:** **US D634,913 S**  
(45) **Date of Patent:** **\*\* Mar. 22, 2011**

(54) **GOLF CART**

(76) Inventor: **Zhuo Fen Xie**, Scarborough (CA)

(\*\*) Term: **14 Years**

(21) Appl. No.: **29/349,850**

(22) Filed: **May 10, 2010**

(51) **LOC (9) Cl.** ..... **12-13**

(52) **U.S. Cl.** ..... **D34/15**

(58) **Field of Classification Search** ..... D34/12-27;  
280/DIG. 5, DIG. 6, 62, 47.19, 47.26, 47.17,  
280/47.18, 47.24, 40, 30, 41, 646, 652, 47.22,  
280/79.11; 180/19.3, 19.1, 65.6  
See application file for complete search history.

(56) **References Cited**

**U.S. PATENT DOCUMENTS**

D459,996	S *	7/2002	Kuzma et al.	.....	D9/549
6,698,789	B2 *	3/2004	Reimers et al.	.....	280/651
D488,279	S *	4/2004	Wu	.....	D34/15
D502,303	S *	2/2005	Wu	.....	D34/15
6,969,078	B2 *	11/2005	Liao	.....	280/38
7,000,928	B2 *	2/2006	Liao	.....	280/38
7,128,333	B2 *	10/2006	Reimers et al.	.....	280/651
D549,421	S *	8/2007	Liao	.....	D34/15
D599,973	S *	9/2009	Liao	.....	D34/15

D621,120	S *	8/2010	Liao	.....	D34/15
2004/0135331	A1 *	7/2004	Liao	.....	280/47.2
2008/0174090	A1 *	7/2008	Gross	.....	280/646

\* cited by examiner

*Primary Examiner* — Cynthia E Ramirez

(74) *Attorney, Agent, or Firm* — Riches, McKenzie & Herbert LLP

(57) **CLAIM**

I claim the ornamental design for a golf cart, as shown.

**DESCRIPTION**

FIG. 1—is a front perspective view of a golf cart showing my new design;  
 FIG. 2—is a front view thereof;  
 FIG. 3—is a rear view thereof;  
 FIG. 4—is a left side view thereof;  
 FIG. 5—is a right side view thereof;  
 FIG. 6—is a top view thereof;  
 FIG. 7—is a bottom view thereof;  
 FIG. 8—is a front perspective view of a golf cart in the folded position, showing my new design;  
 FIG. 9—is a front view thereof;  
 FIG. 10—is a rear view thereof;  
 FIG. 11—is a left side view thereof;  
 FIG. 12—is a right side view thereof;  
 FIG. 13—is a top view thereof; and,  
 FIG. 14—is a bottom view thereof.

**1 Claim, 14 Drawing Sheets**

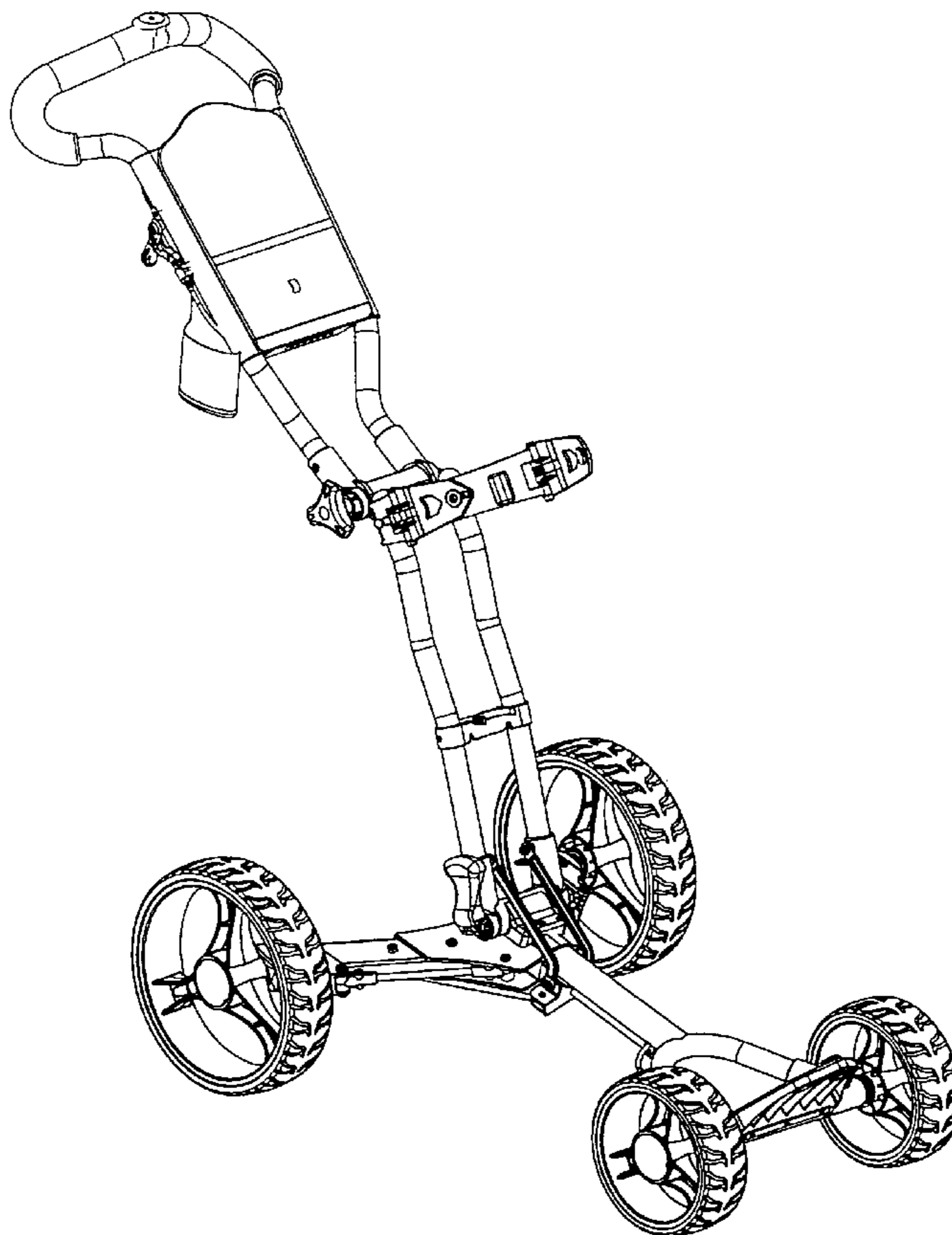
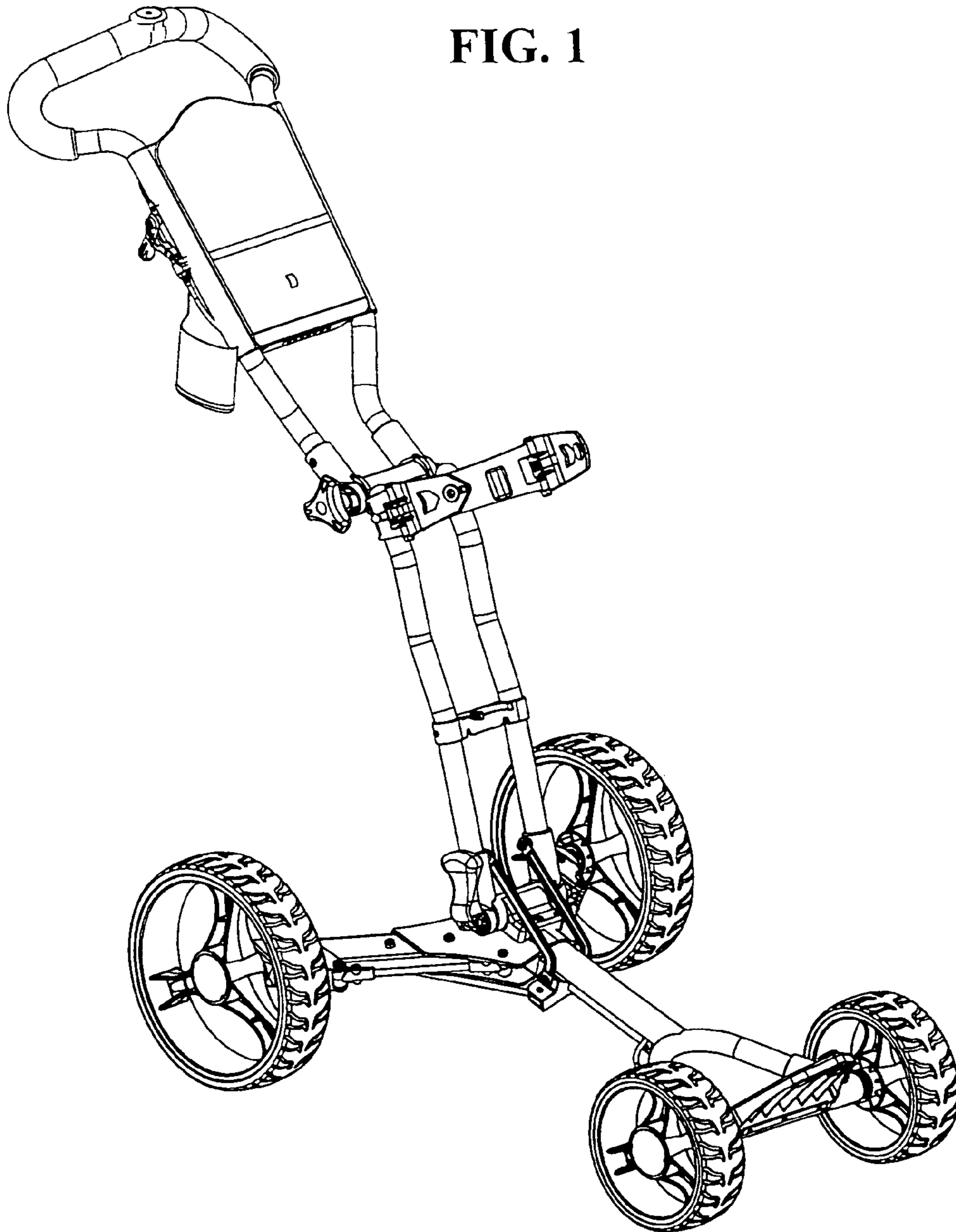


FIG. 1



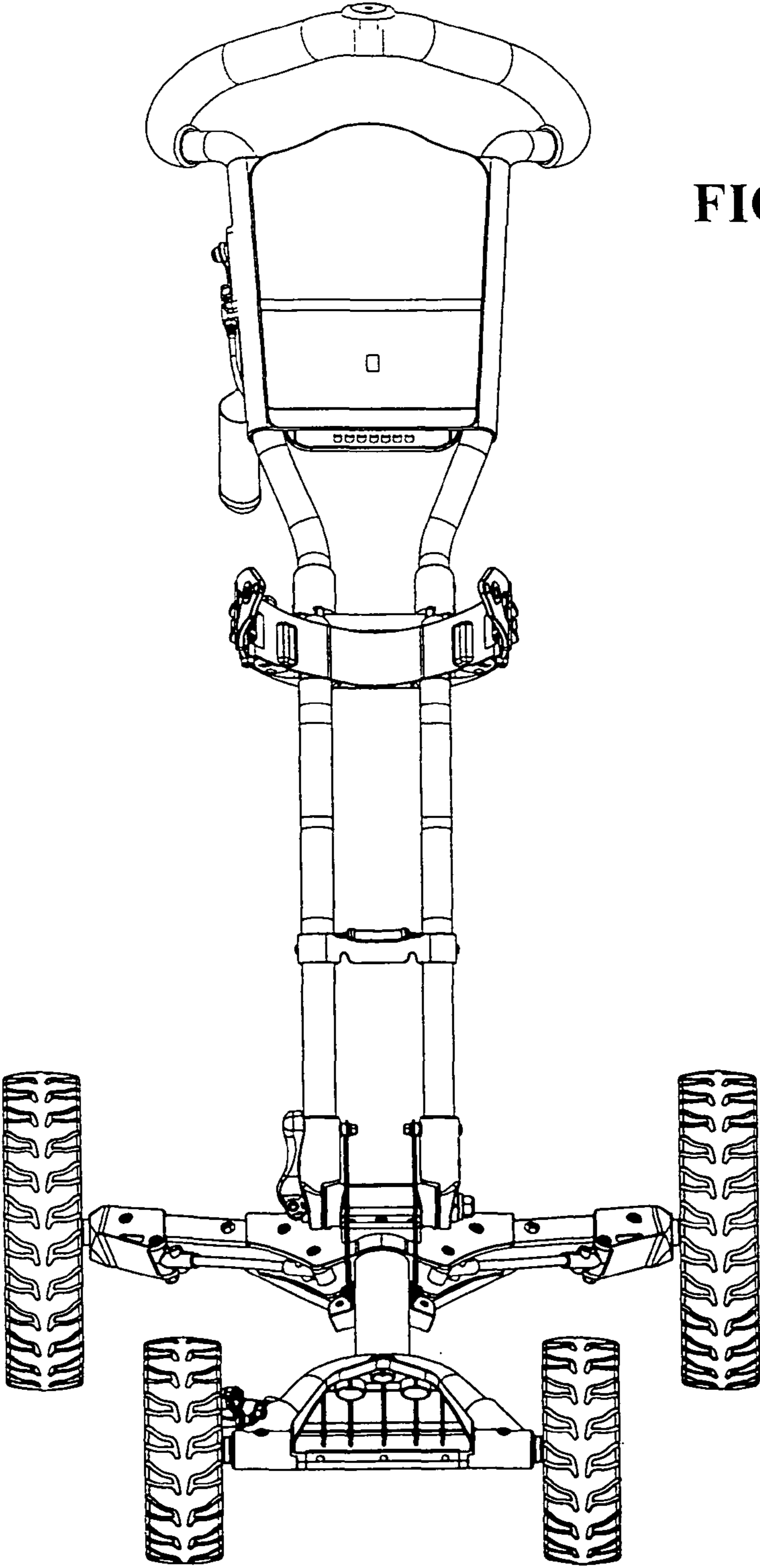


FIG. 2

FIG. 3

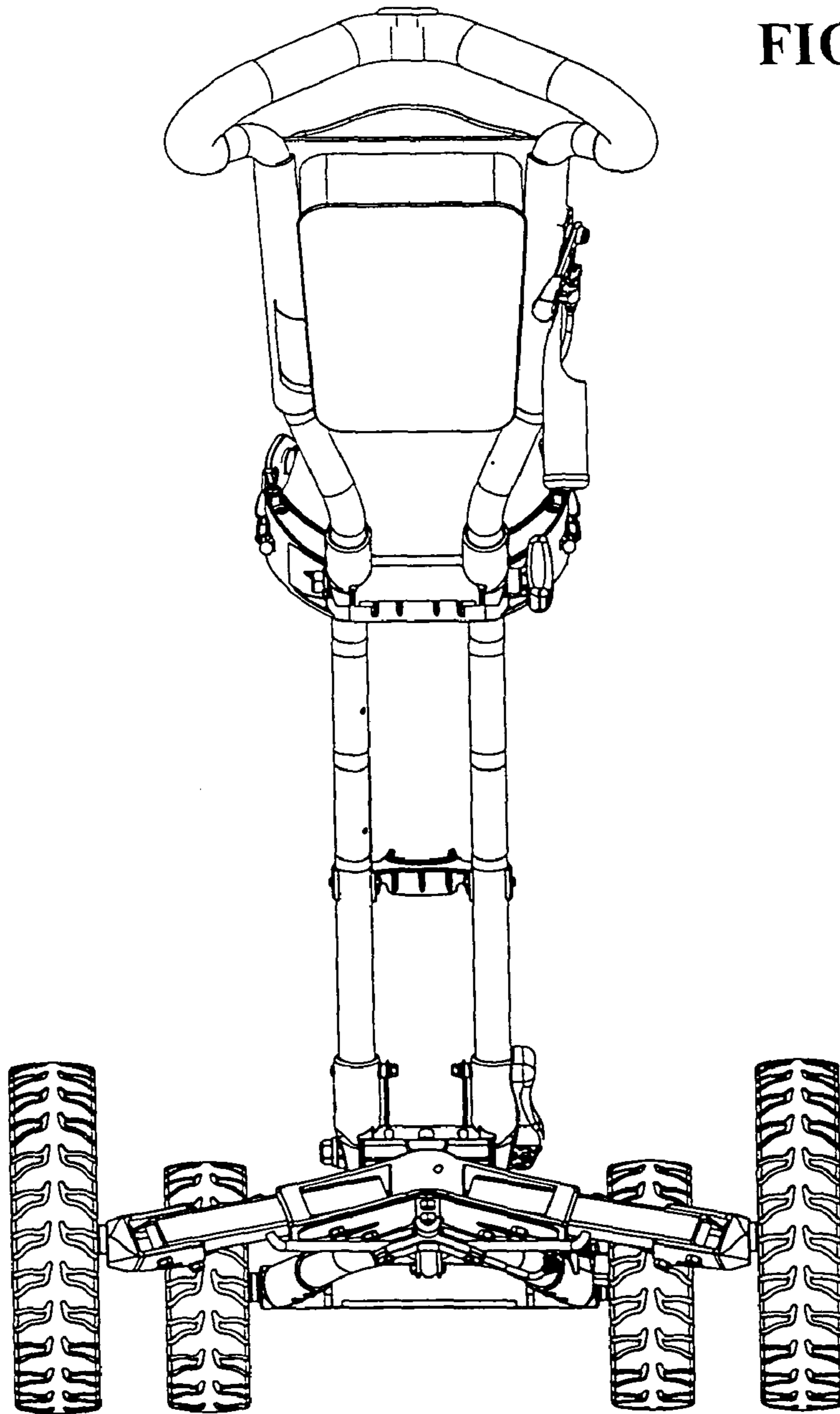


FIG. 4

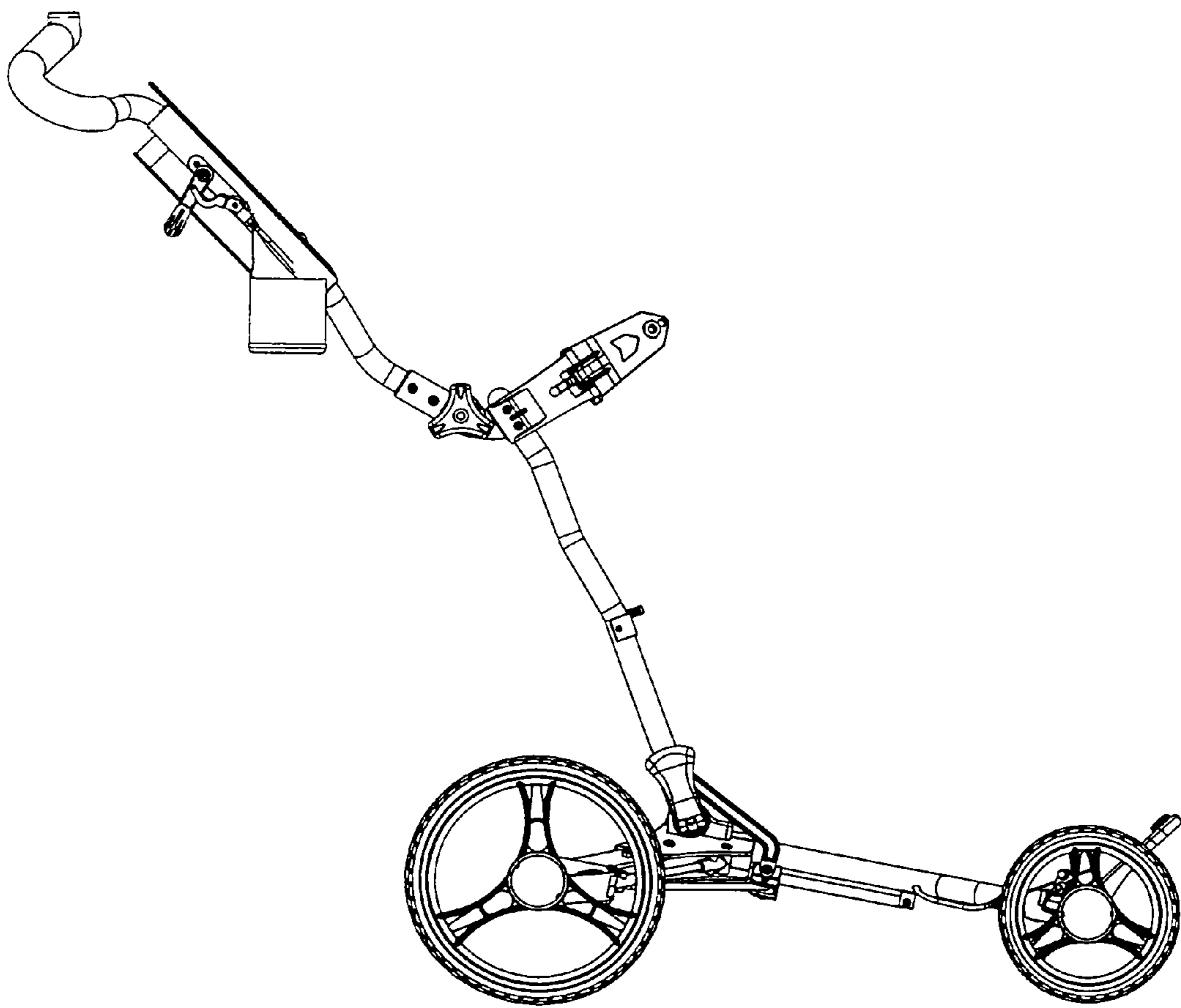
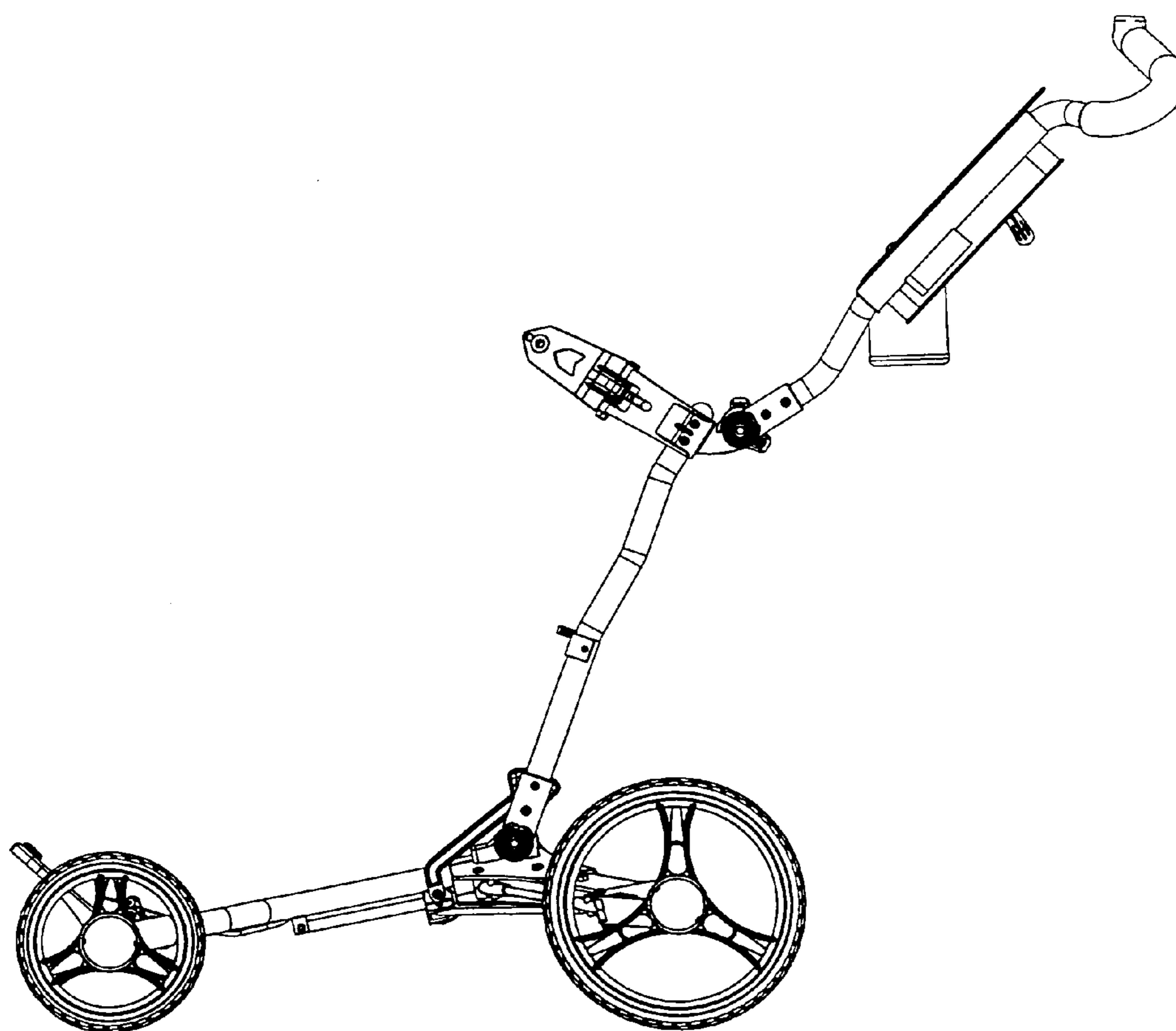


FIG. 5



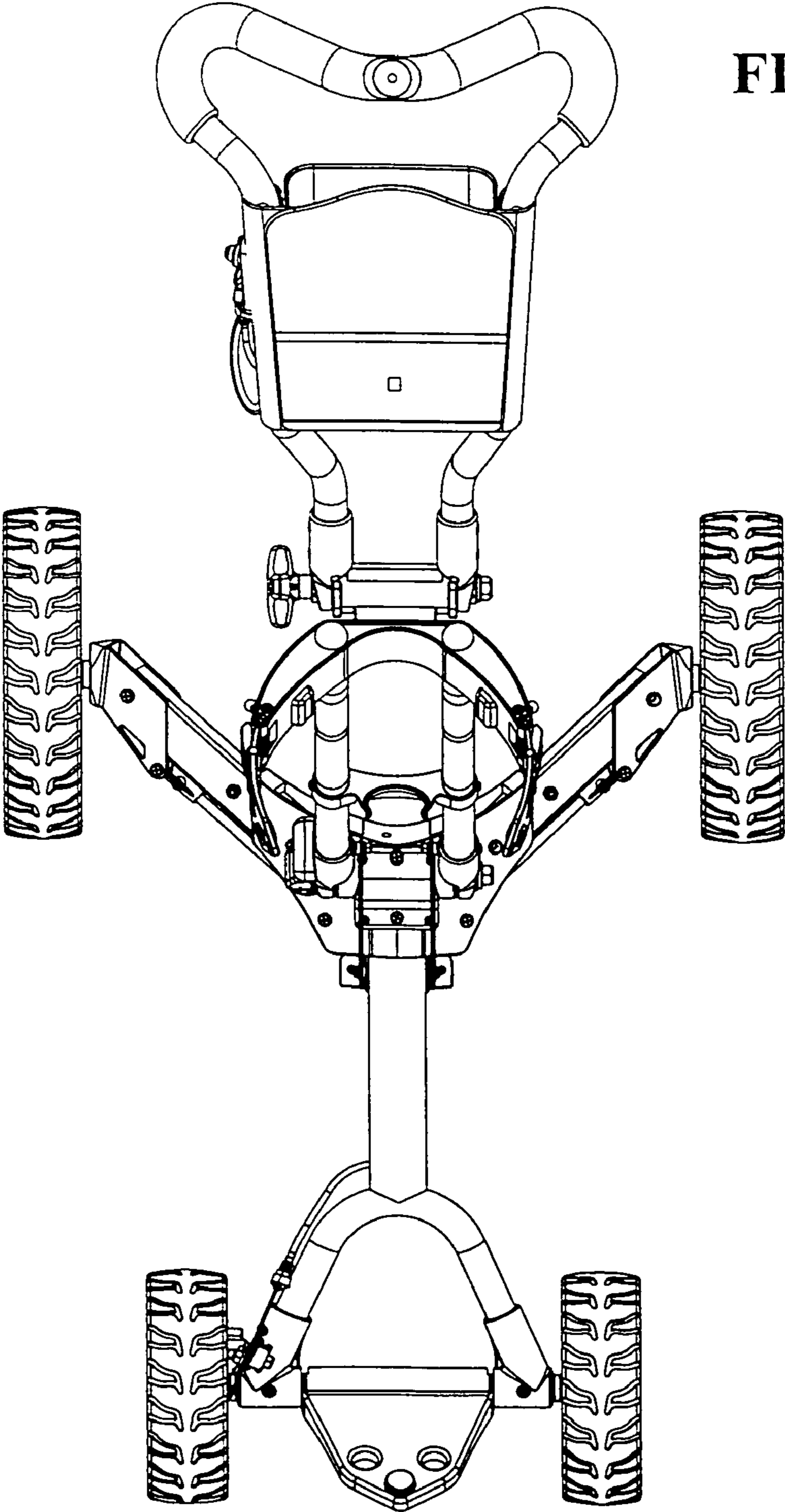


FIG. 6

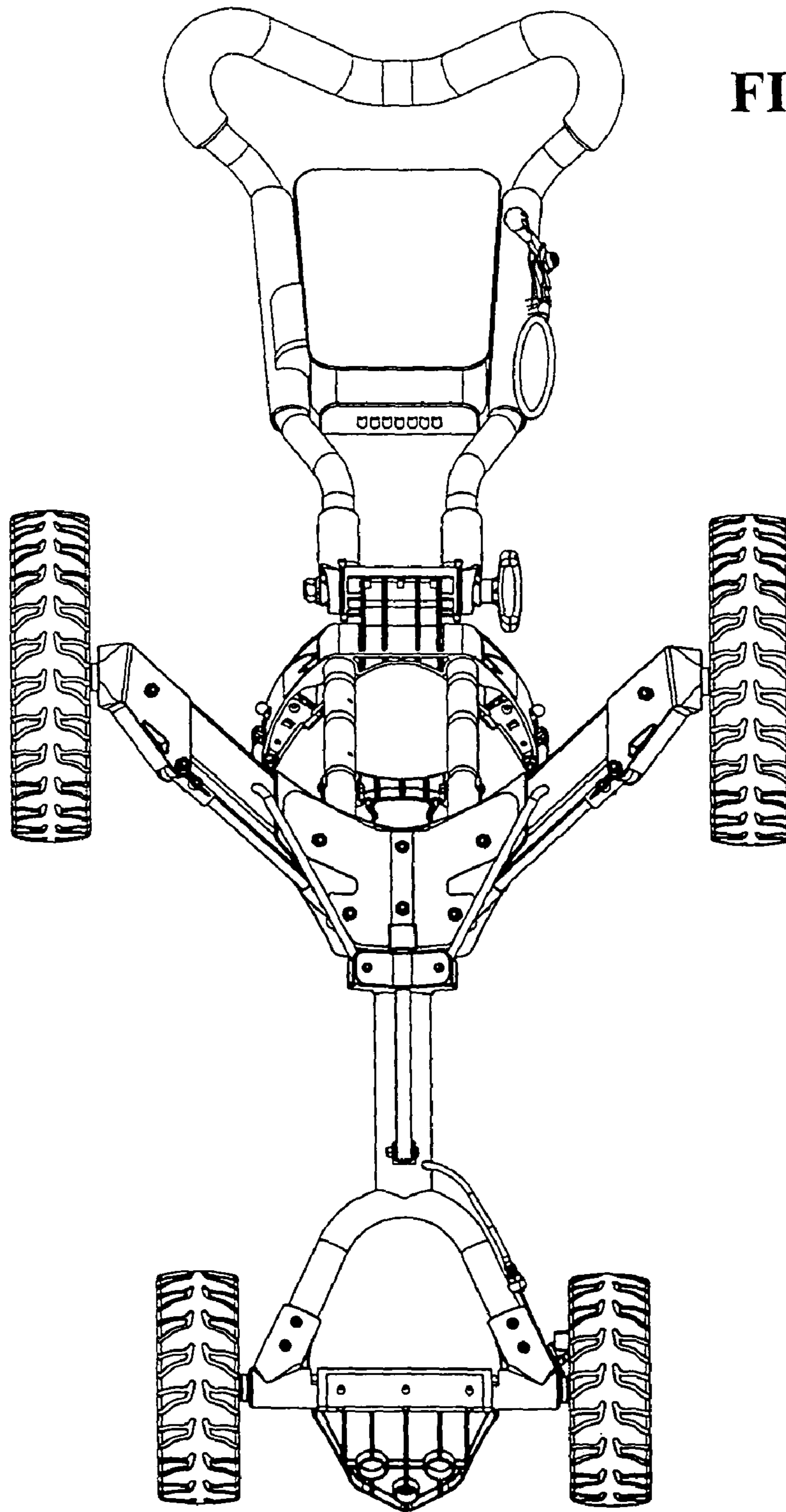
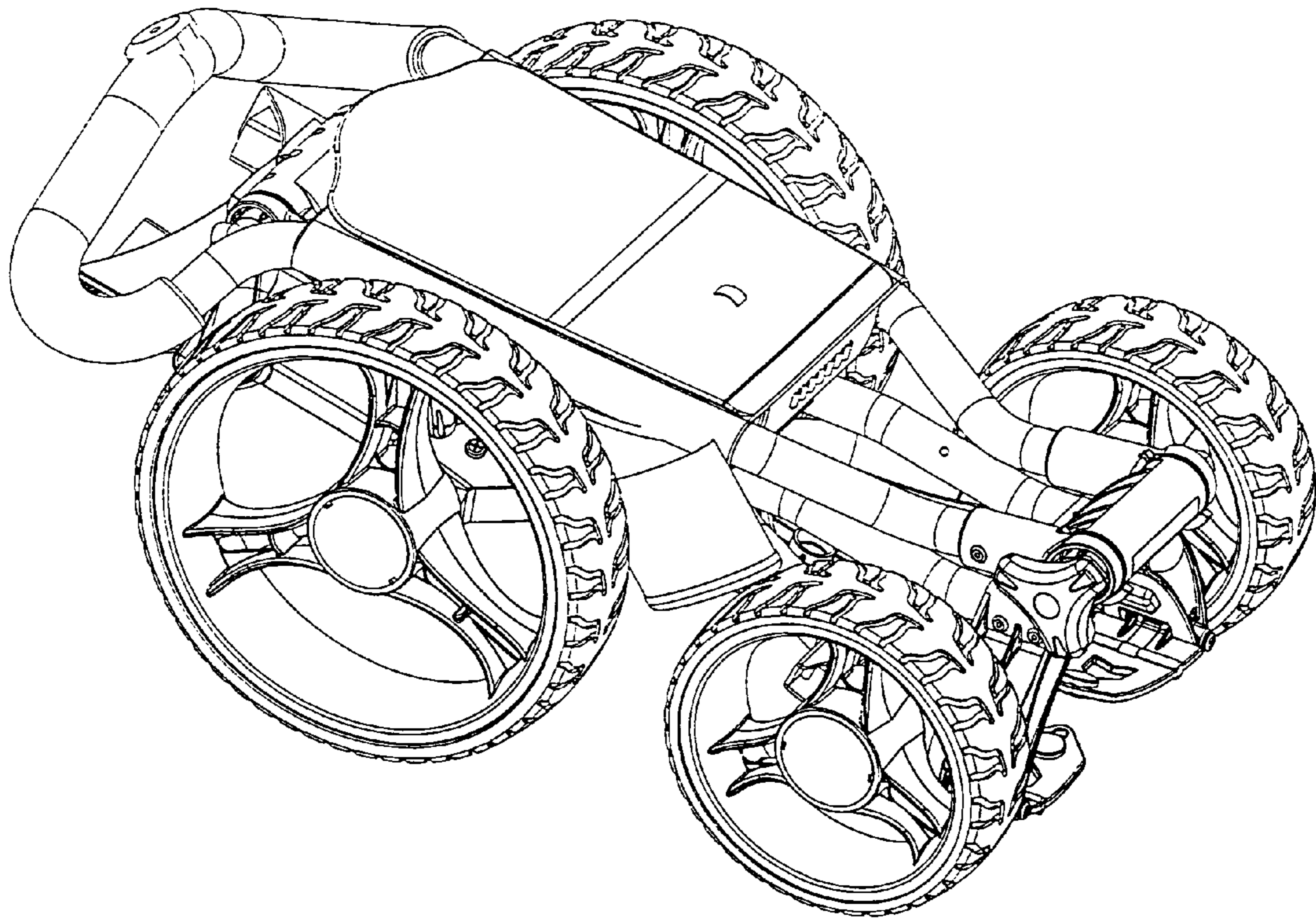


FIG. 7



FIG. 8



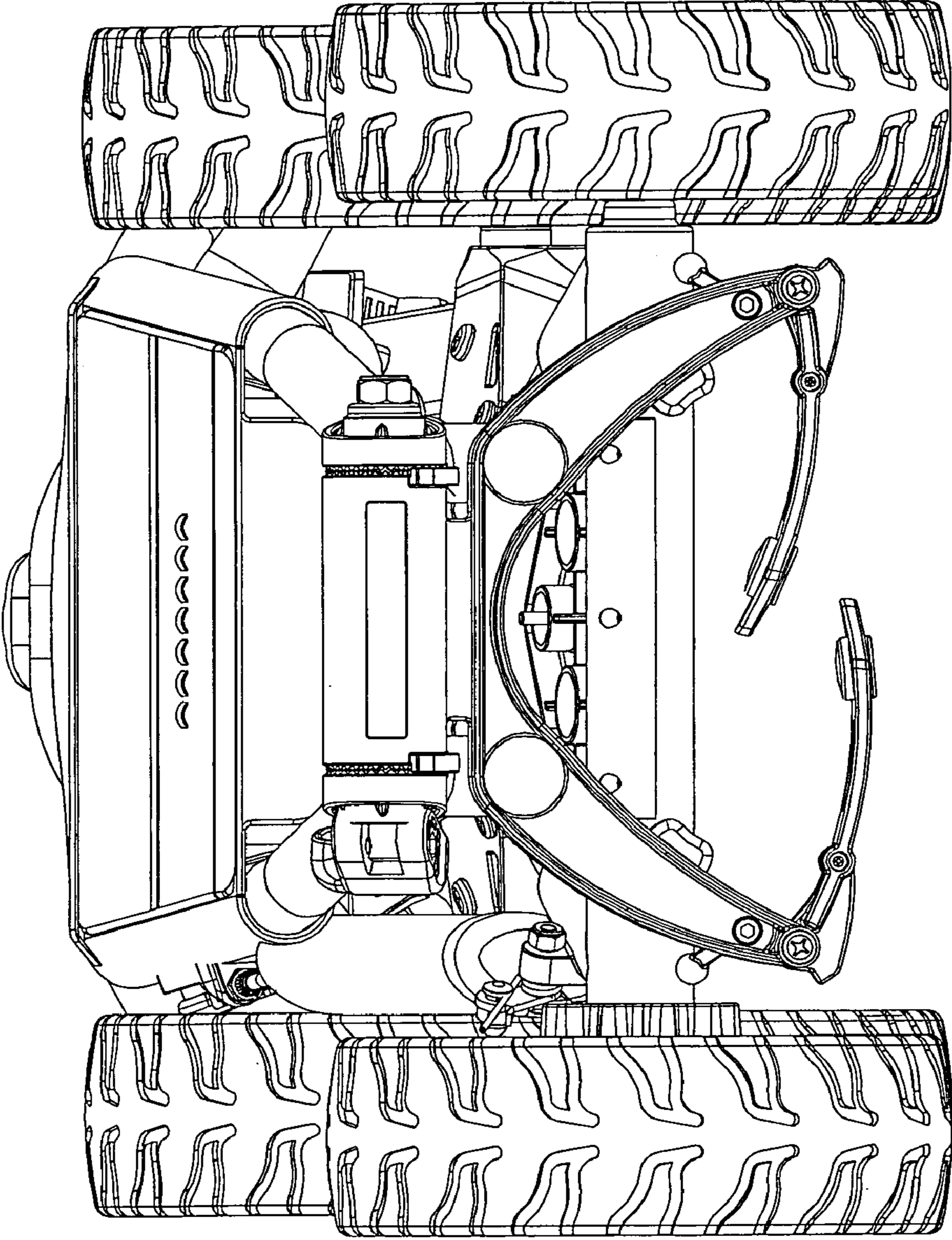


Fig. 9

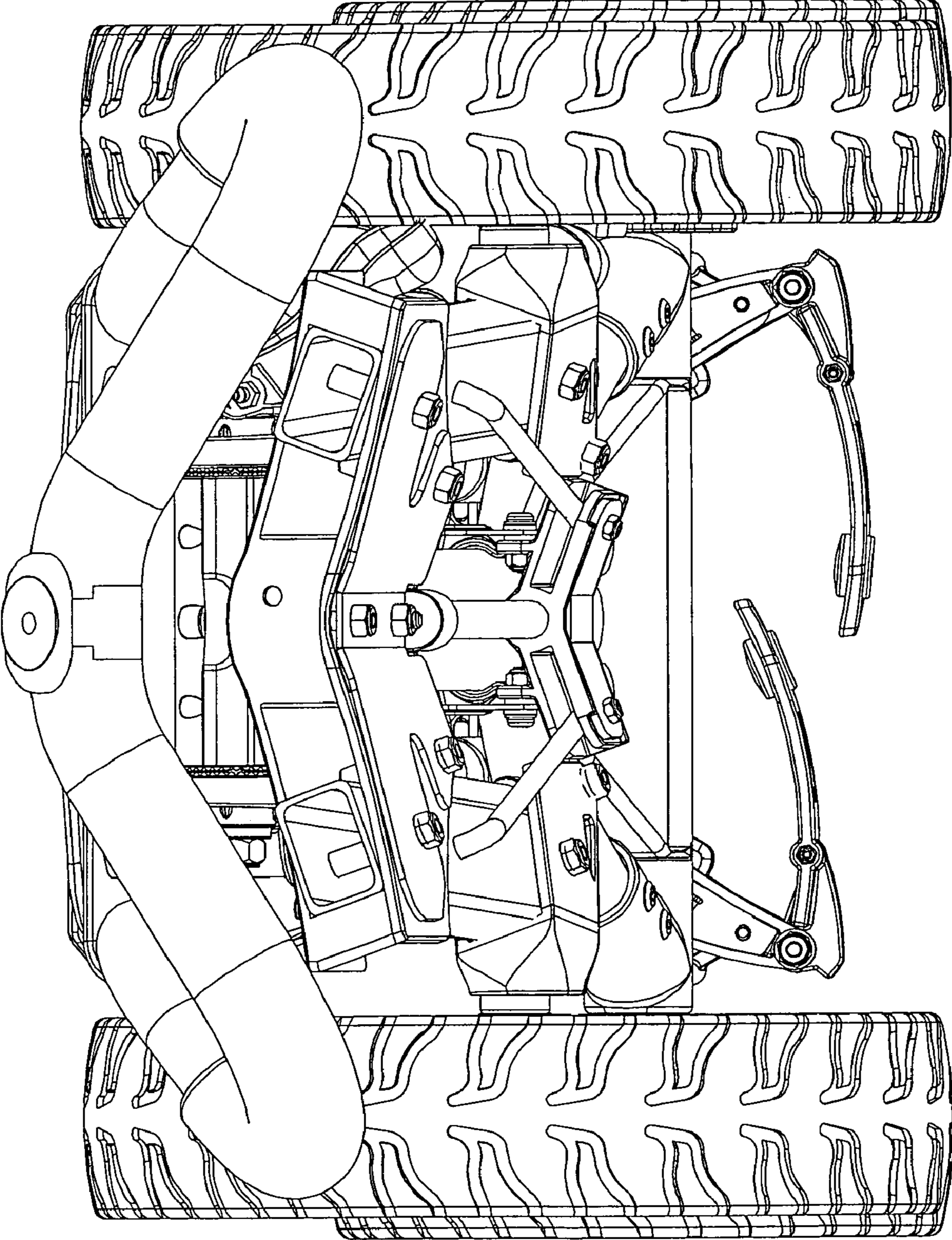


Fig. 10

FIG. 11

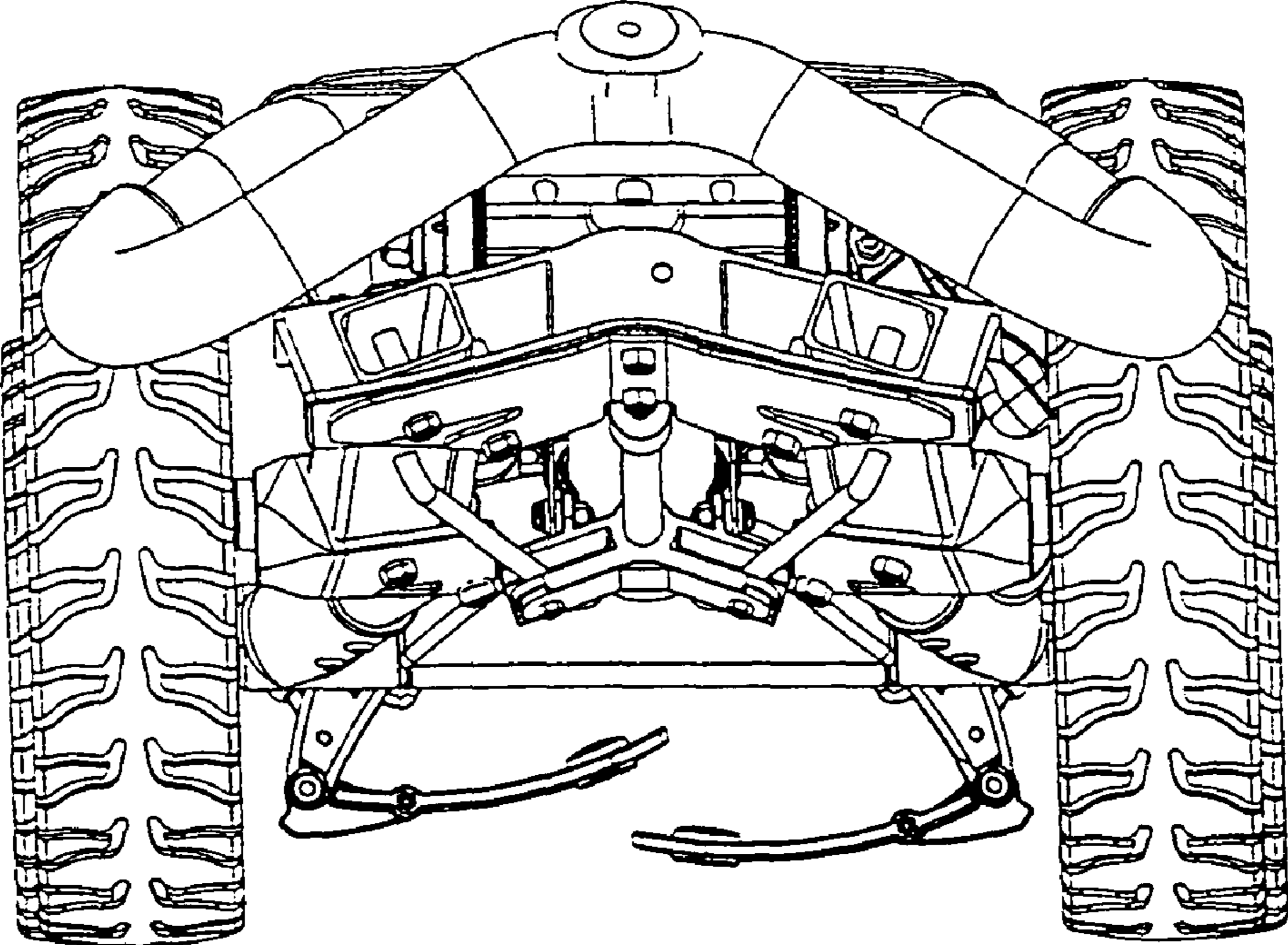


FIG. 12

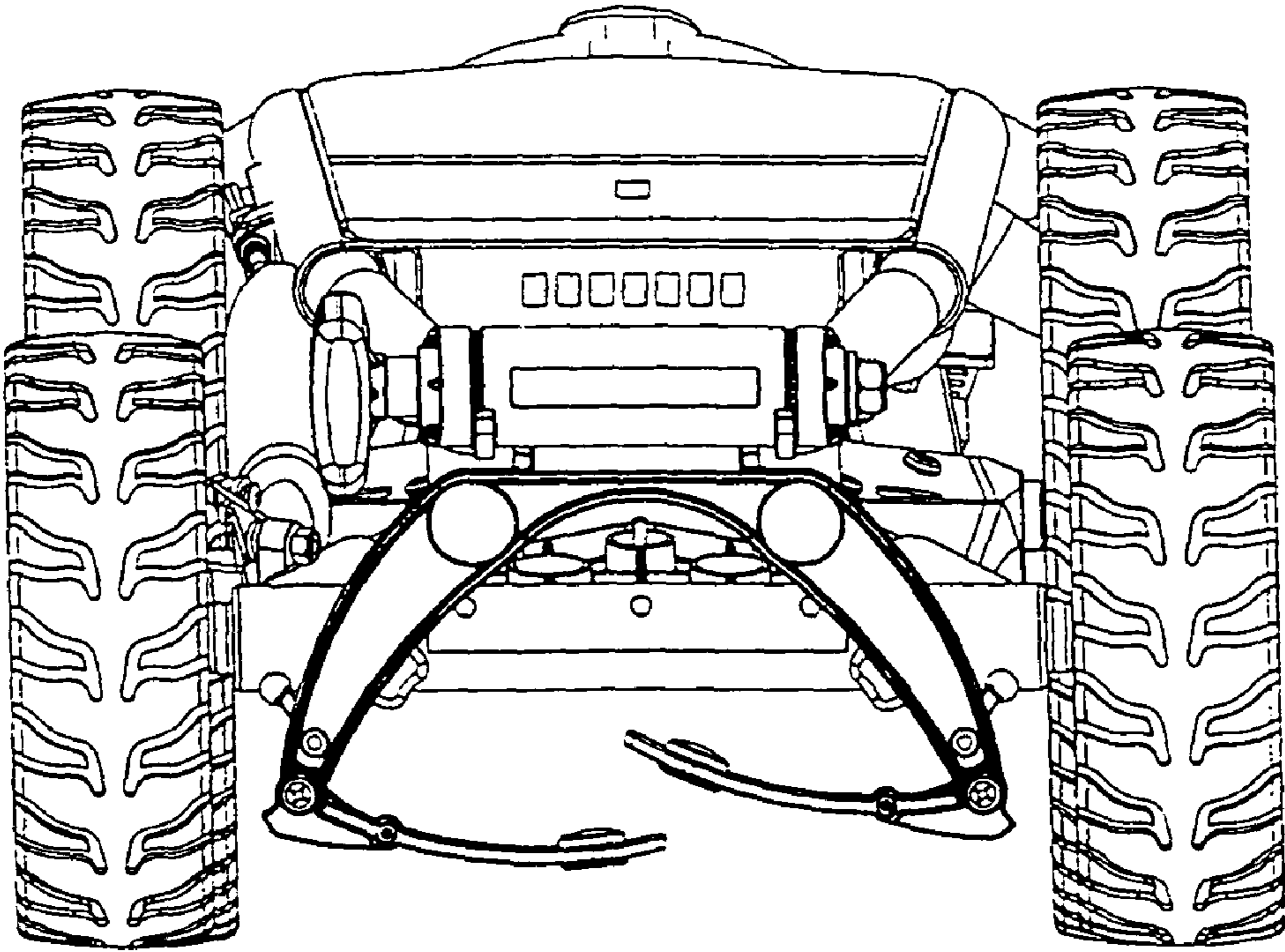
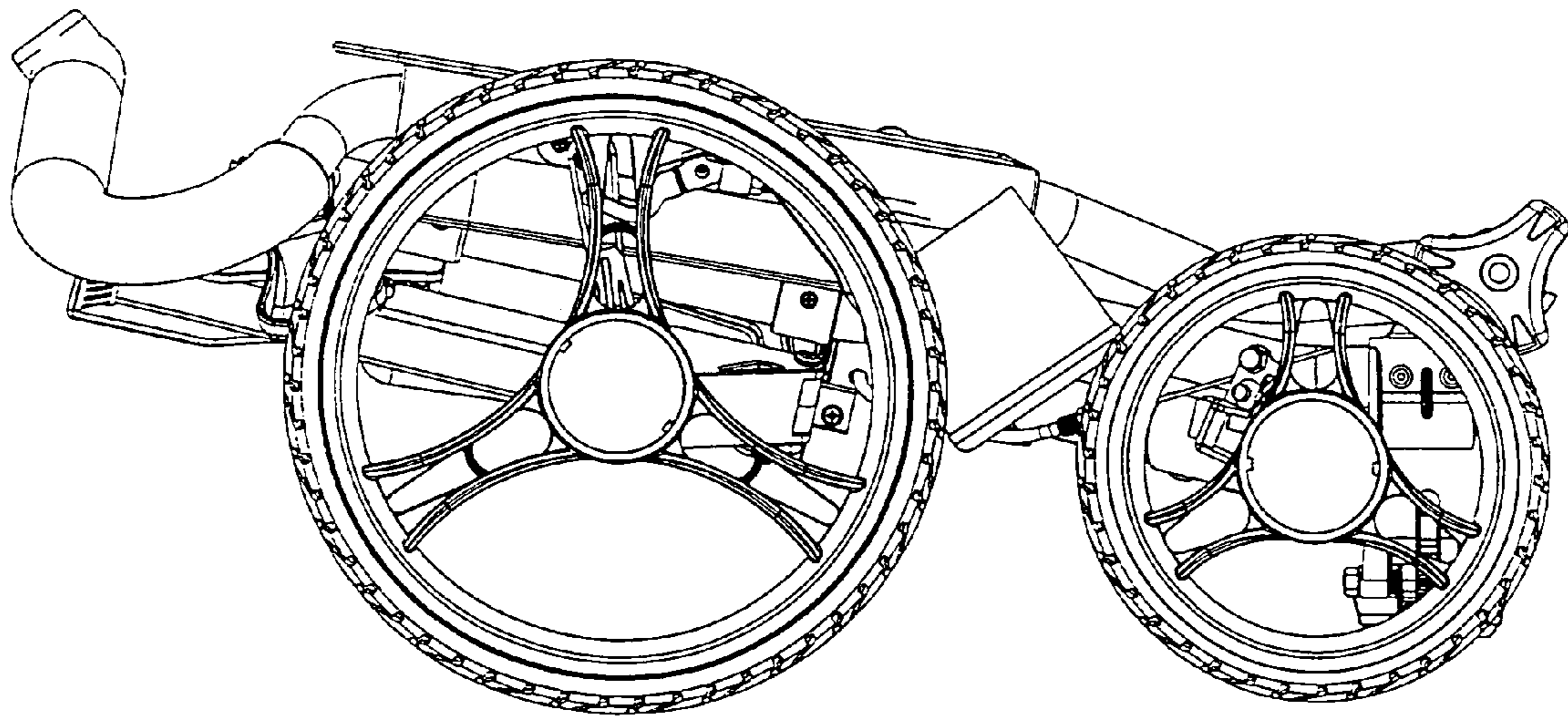


FIG. 13



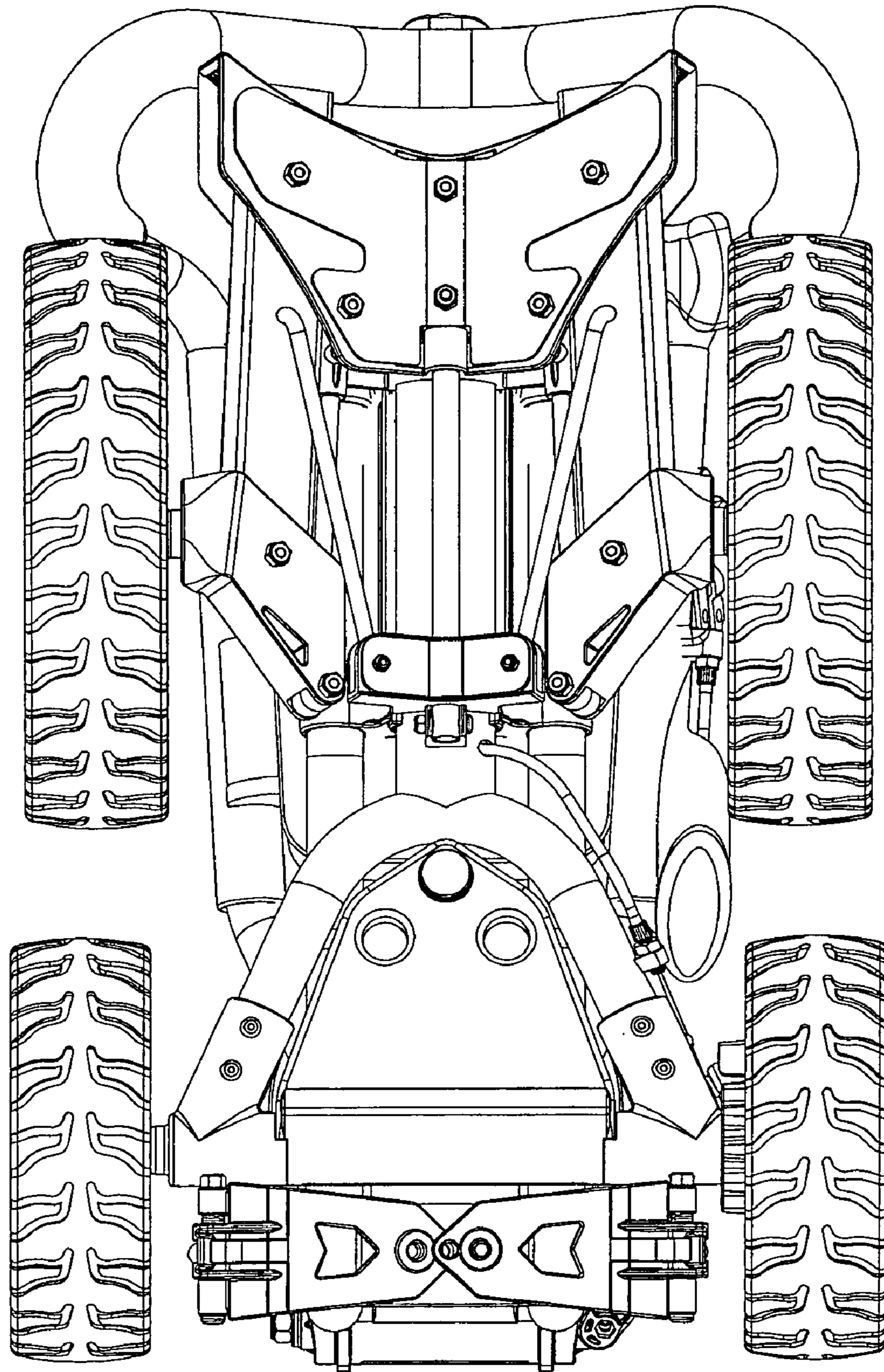


Fig. 14