



US00D634912S

(12) **United States Design Patent**
Pouliot et al.

(10) **Patent No.:** **US D634,912 S**
(45) **Date of Patent:** **** Mar. 22, 2011**

(54) **LOCK**

(75) Inventors: **Marc Talbot Pouliot**, Saint-Philémon (CA); **Roch Nolet**, St. Joseph (CA); **Louis Mercier**, Lévis (CA)

(73) Assignee: **IPL Inc.**, St-Damien (CA)

(**) Term: **14 Years**

(21) Appl. No.: **29/363,496**

(22) Filed: **Jun. 10, 2010**

(30) **Foreign Application Priority Data**

May 14, 2010 (CA) 135394

(51) **LOC (9) Cl.** **09-09**

(52) **U.S. Cl.** **D34/11**

(58) **Field of Classification Search** D34/5,
D34/6, 10, 11, 7, 9, 1; 220/908-911, 315,
220/318, 324; 16/271, 272; 280/47.26; D8/395
See application file for complete search history.

(56) **References Cited**

U.S. PATENT DOCUMENTS

5,078,295	A *	1/1992	Grant	220/318
5,160,060	A *	11/1992	Garofalo, Jr.	220/318
5,195,648	A *	3/1993	Harris	220/844
5,735,428	A *	4/1998	Chern	220/324
5,738,395	A *	4/1998	Probst	292/230
D400,332	S *	10/1998	Sanden, Jr.	D34/10
D449,146	S *	10/2001	Ely	D34/28
D467,697	S *	12/2002	Spadafora	D34/10
6,880,717	B1 *	4/2005	O'Connor	220/318
D510,019	S *	9/2005	Davis	D8/395

D532,173	S *	11/2006	Aiken et al.	D34/5
2005/0029763	A1 *	2/2005	Hassell	280/47.26
2005/0067417	A1 *	3/2005	Sanders et al.	220/324
2007/0175898	A1 *	8/2007	Craft et al.	220/324

OTHER PUBLICATIONS

Norseman Environmental Products, Green Bin Container, Retrieved from http://www.norsemanplastics.com/products/norseman_greenbin_npl_280.html, Sep. 2009; 1 page.

Rehrig, Trash Bin, Document provided to Village of Gatineau for bidding purposes, Sep. 2009, 1 page.

* cited by examiner

Primary Examiner — Cynthia E Ramirez

(74) *Attorney, Agent, or Firm* — Goudreau Gage Dubuc; Gwendoline Bruneau

(57) **CLAIM**

The ornamental design for a lock, as shown and described.

DESCRIPTION

FIG. 1 is a perspective view of a container with a lock showing my new design;

FIG. 2 is a perspective view of the lock of FIG. 1;

FIG. 3 is a side view of the lock of FIG. 1;

FIG. 4 is a front view of the lock of FIG. 1;

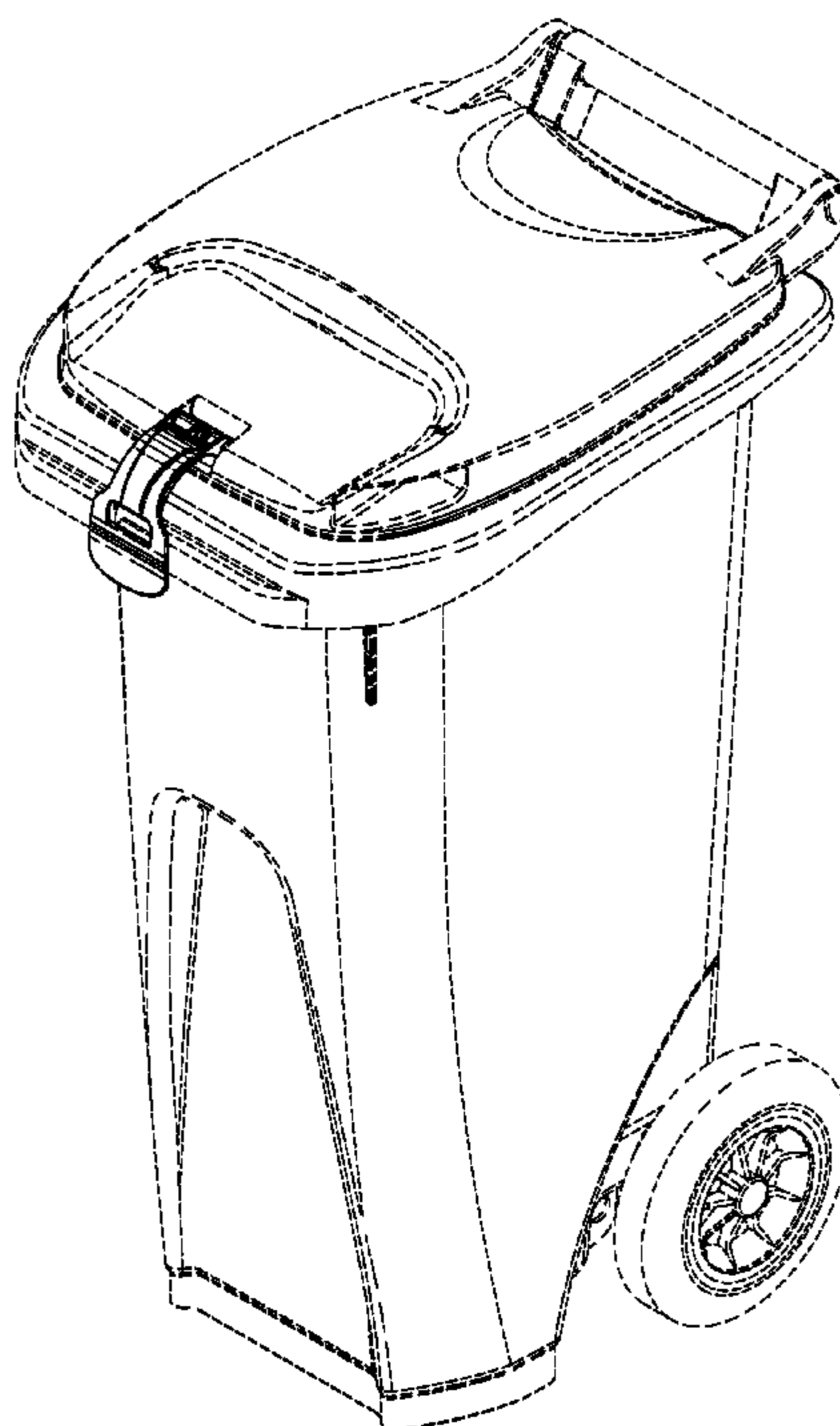
FIG. 5 is a back view of the lock of FIG. 1;

FIG. 6 is a top view of the lock of FIG. 1; and,

FIG. 7 is a bottom view of the lock of FIG. 1.

The broken disclosure of the container and other structure is for illustrative purposes only and form no part of the claimed design.

1 Claim, 5 Drawing Sheets



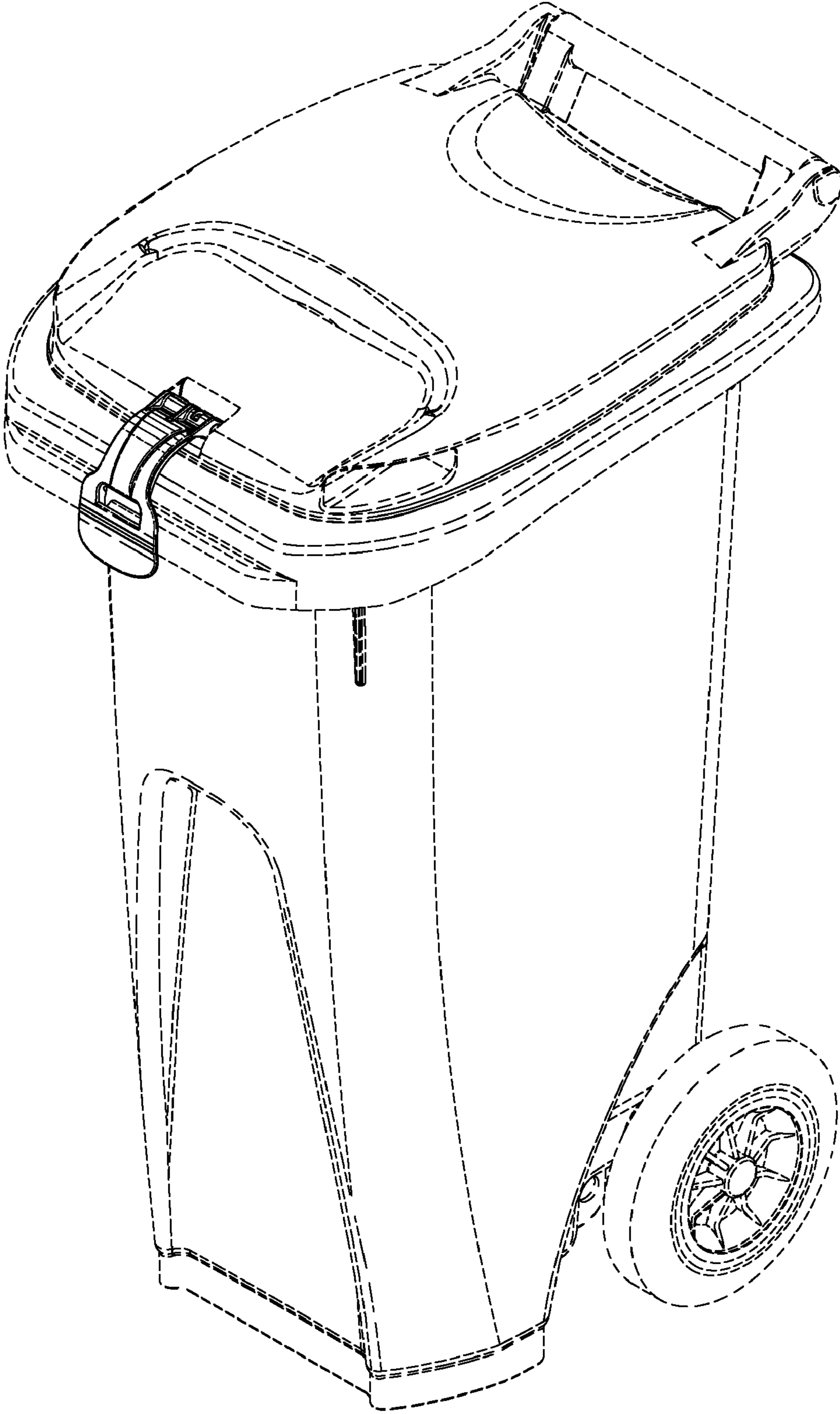


FIG. 1

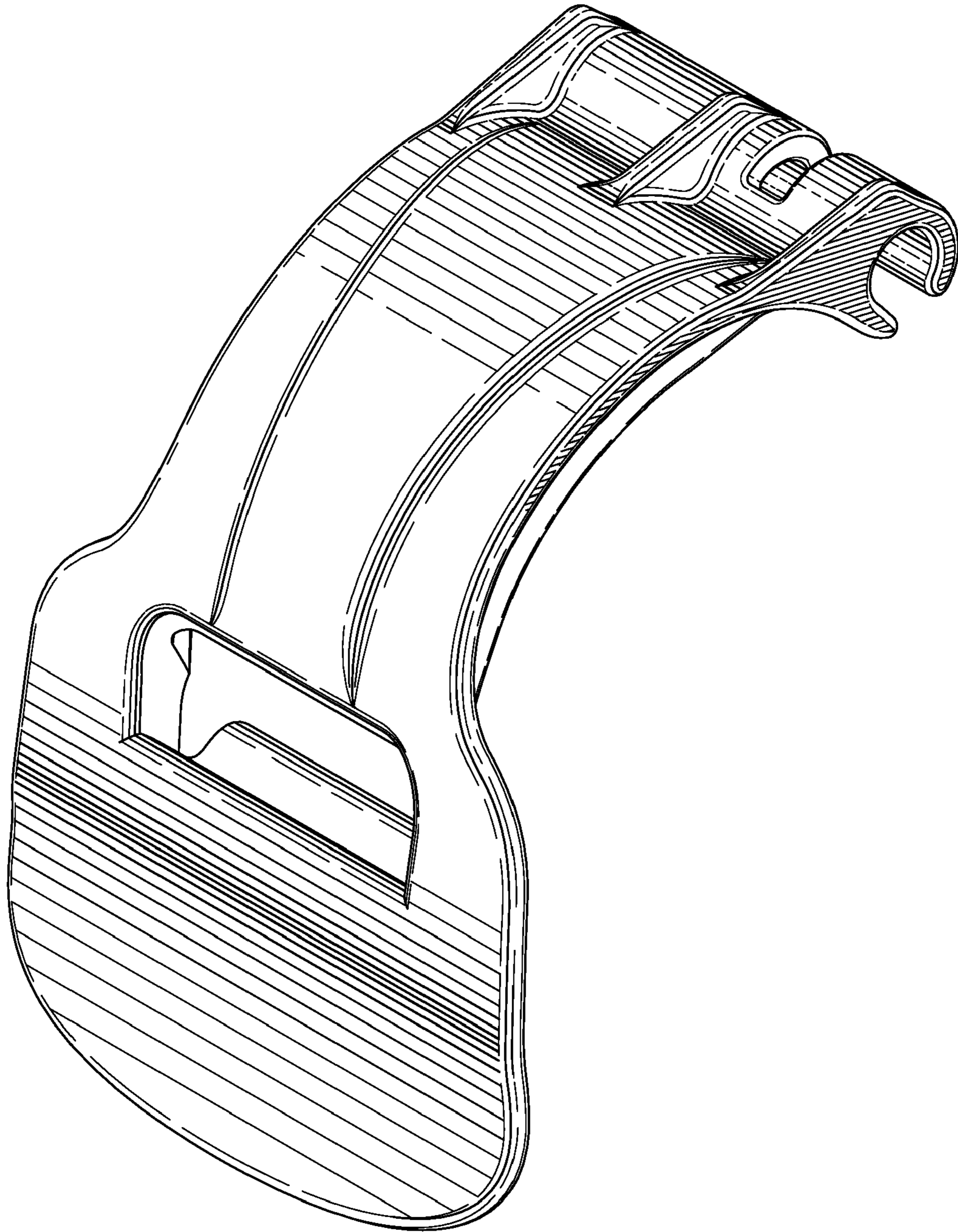


FIG. 2

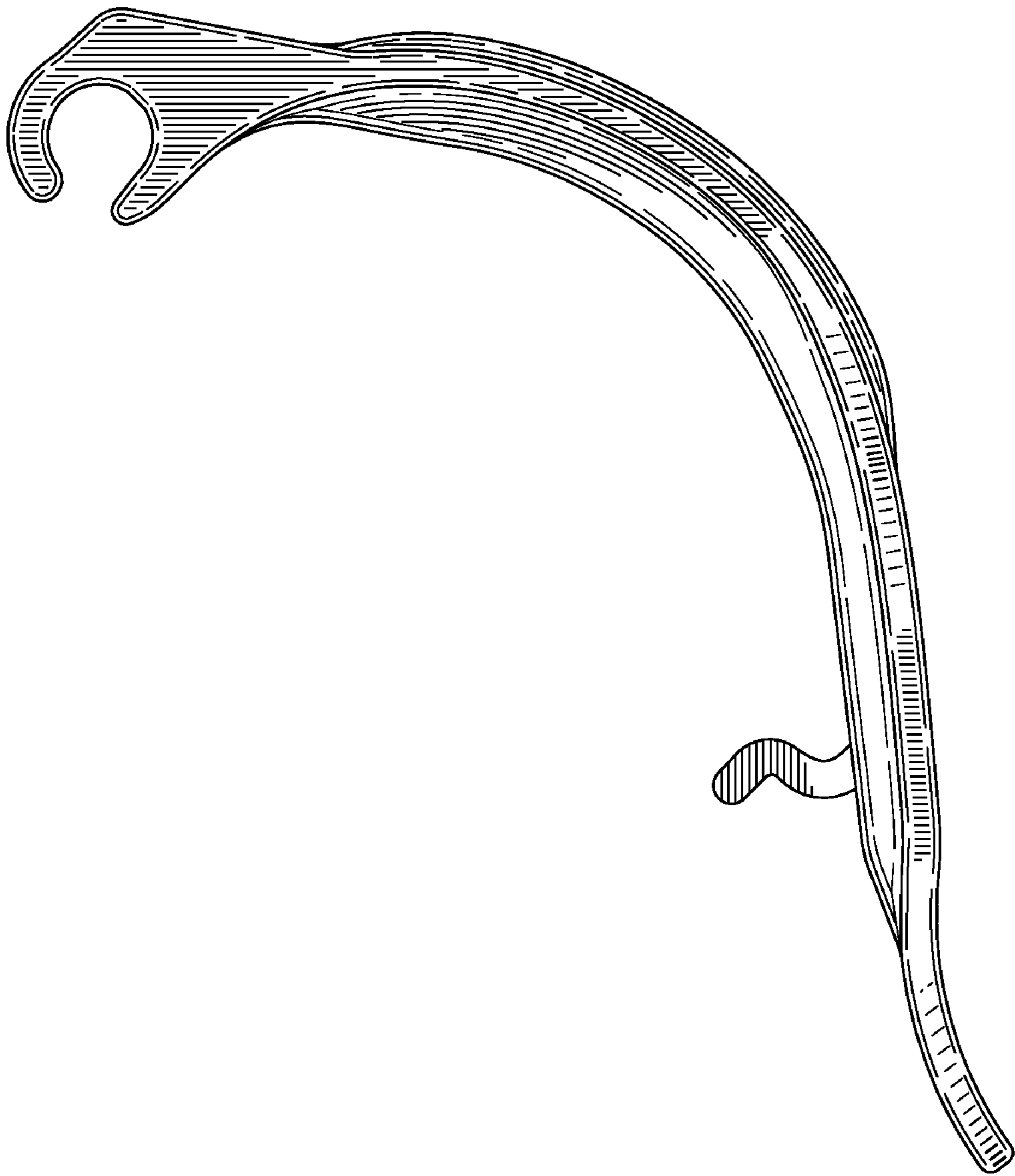


FIG. 3

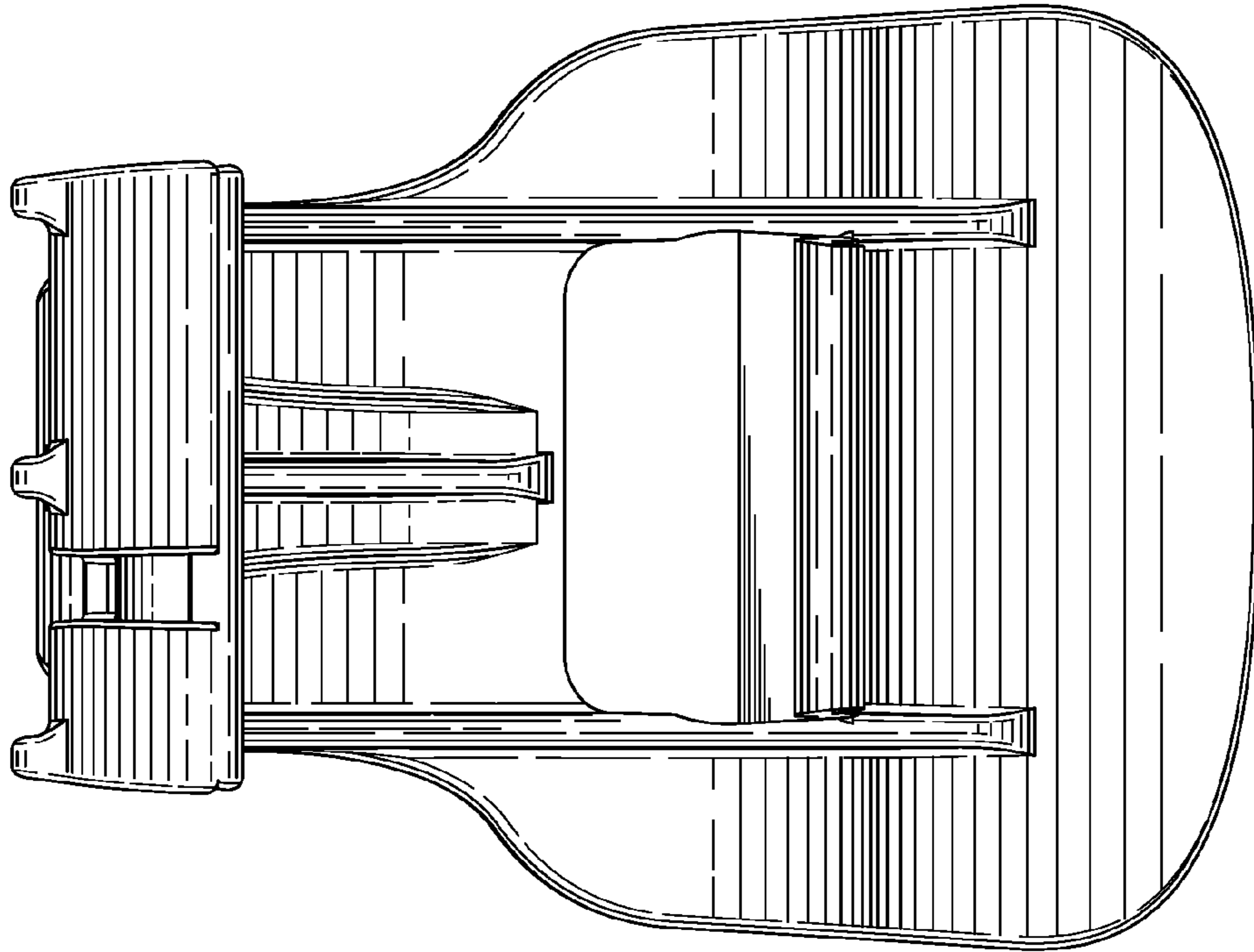


FIG. 5

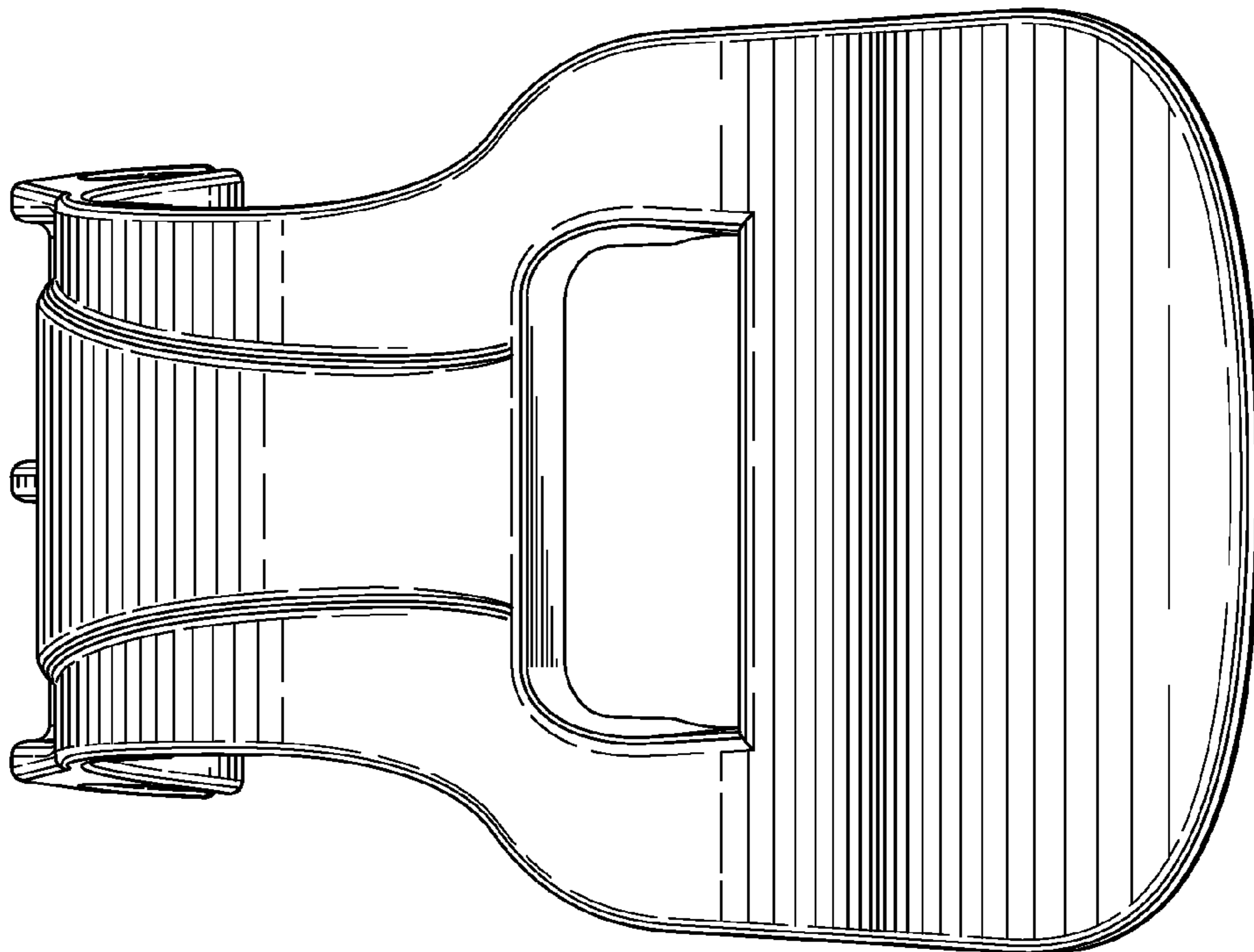


FIG. 4

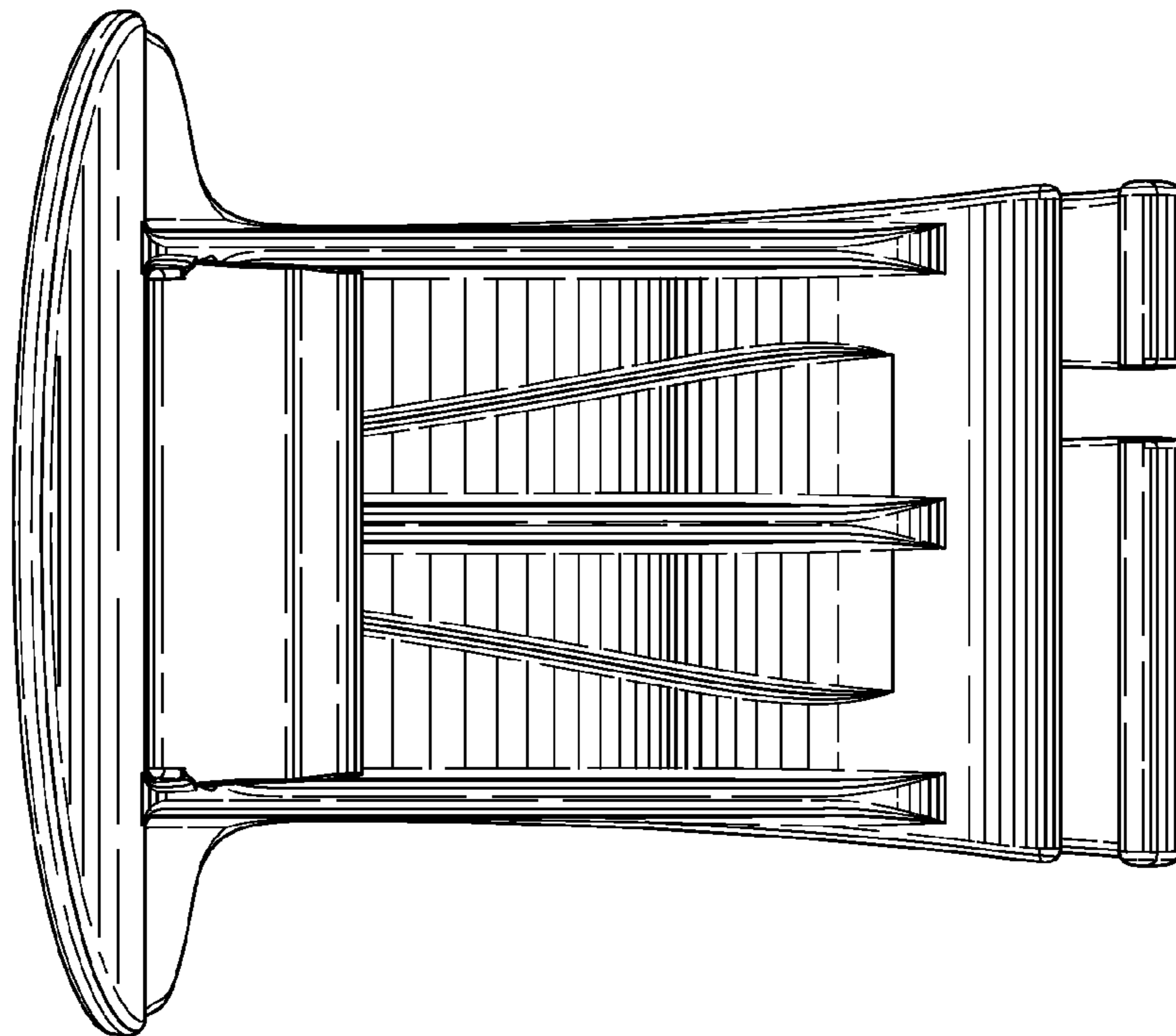


FIG. 7

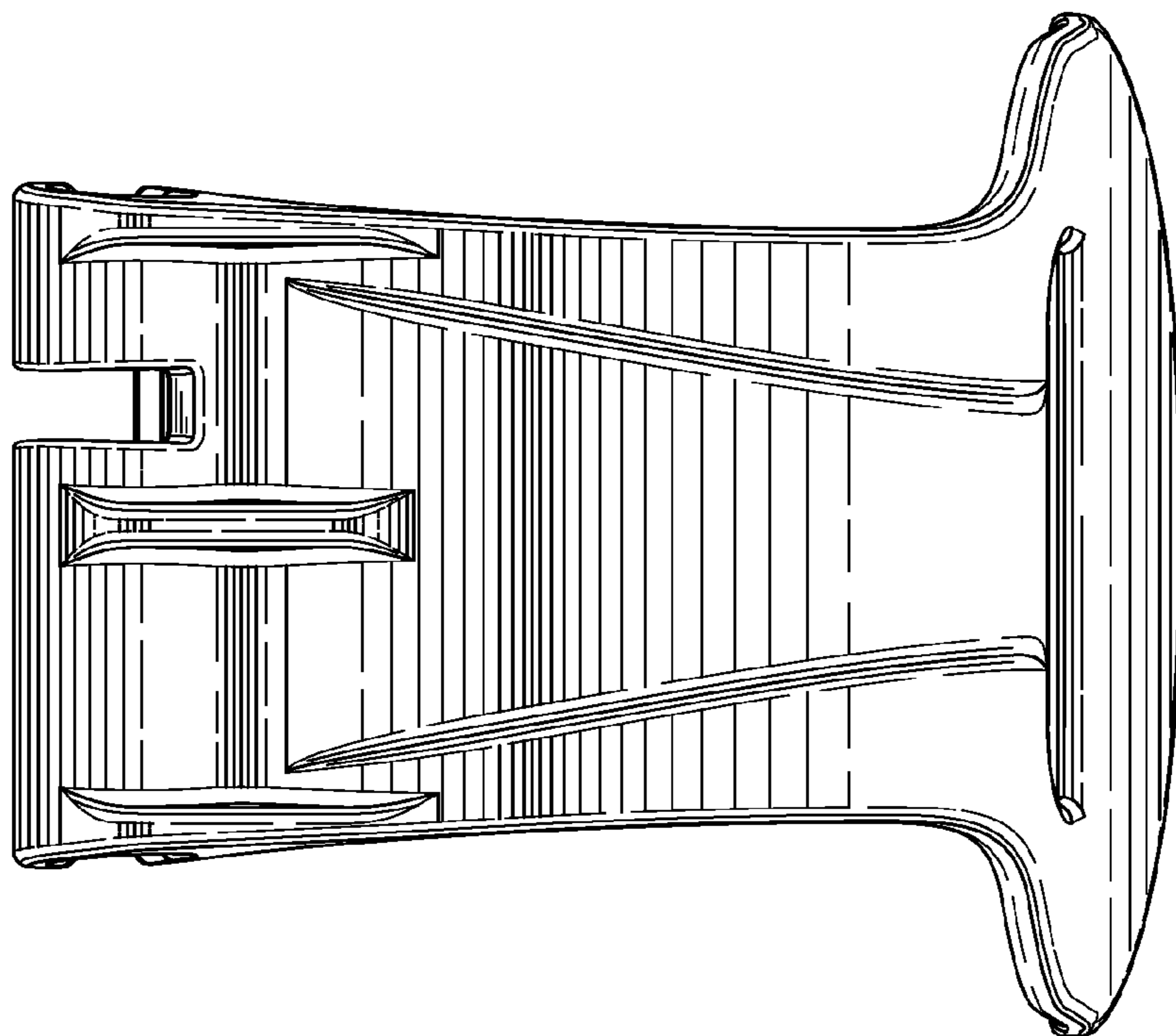


FIG. 8