



US00D634911S

(12) **United States Design Patent**
Yang et al.

(10) **Patent No.:** **US D634,911 S**
(45) **Date of Patent:** **** Mar. 22, 2011**

(54) **TRASH CAN**

(75) Inventors: **Frank Yang**, Rancho Palos Verdes, CA (US); **Tzu-Hao Wei**, Hacienda Heights, CA (US); **Di-Fong Chang**, Torrance, CA (US); **Daniel Ballou**, Long Beach, CA (US)

(73) Assignee: **simplehuman, LLC**, Torrance, CA (US)

(**) Term: **14 Years**

(21) Appl. No.: **29/357,571**

(22) Filed: **Mar. 12, 2010**

(51) **LOC (9) Cl.** **09-09**

(52) **U.S. Cl.** **D34/7**

(58) **Field of Classification Search** D34/1,
D34/5, 6, 7, 8, 9, 10, 11; 220/908-911
See application file for complete search history.

(56) **References Cited**

U.S. PATENT DOCUMENTS

4,765,579	A *	8/1988	Robbins et al.	248/101
7,086,550	B2 *	8/2006	Yang et al.	220/263
D535,800	S *	1/2007	Yang et al.	D34/9
D550,918	S *	9/2007	Wang et al.	D34/11
D552,823	S *	10/2007	Yang et al.	D34/7
D578,266	S *	10/2008	Yang et al.	D34/7
D580,120	S *	11/2008	Lin	D34/7
D580,613	S *	11/2008	Yang et al.	D34/7

D580,615	S *	11/2008	Yang et al.	D34/9
D585,618	S *	1/2009	Yang et al.	D34/1
D611,671	S *	3/2010	Yang et al.	D34/10
D615,722	S *	5/2010	Yang et al.	D34/7

* cited by examiner

Primary Examiner — Cynthia E Ramirez

(74) *Attorney, Agent, or Firm* — Knobbe, Martens, Olson & Bear LLP

(57) **CLAIM**

The ornamental design for a trash can, as shown and described.

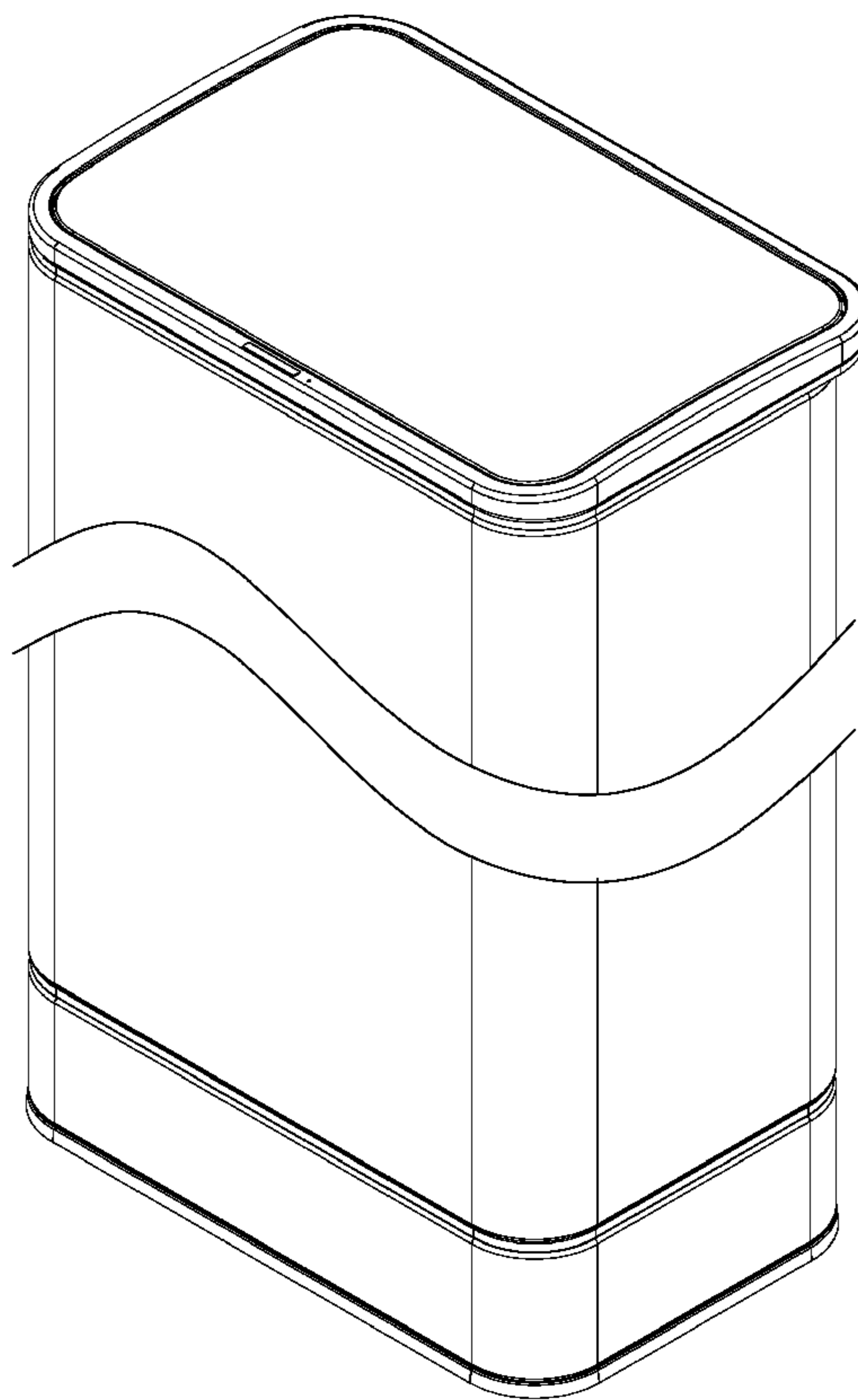
DESCRIPTION

FIG. 1 is a front, top, and left side perspective view of a first embodiment of a trash can embodying our new design; FIG. 2 is a front elevational view thereof; FIG. 3 is a rear elevational view thereof; FIG. 4 is a right side elevational view thereof; FIG. 5 is a left side elevational view thereof; FIG. 6 is a top plan view thereof; and, FIG. 7 is a bottom plan view thereof.

All features illustrated in phantom line are expressly disclaimed and form no part of the claimed design.

The trash can in accordance with the present design can have any length, as indicated by the indefinite line length breaks in FIGS. 1-5.

1 Claim, 7 Drawing Sheets



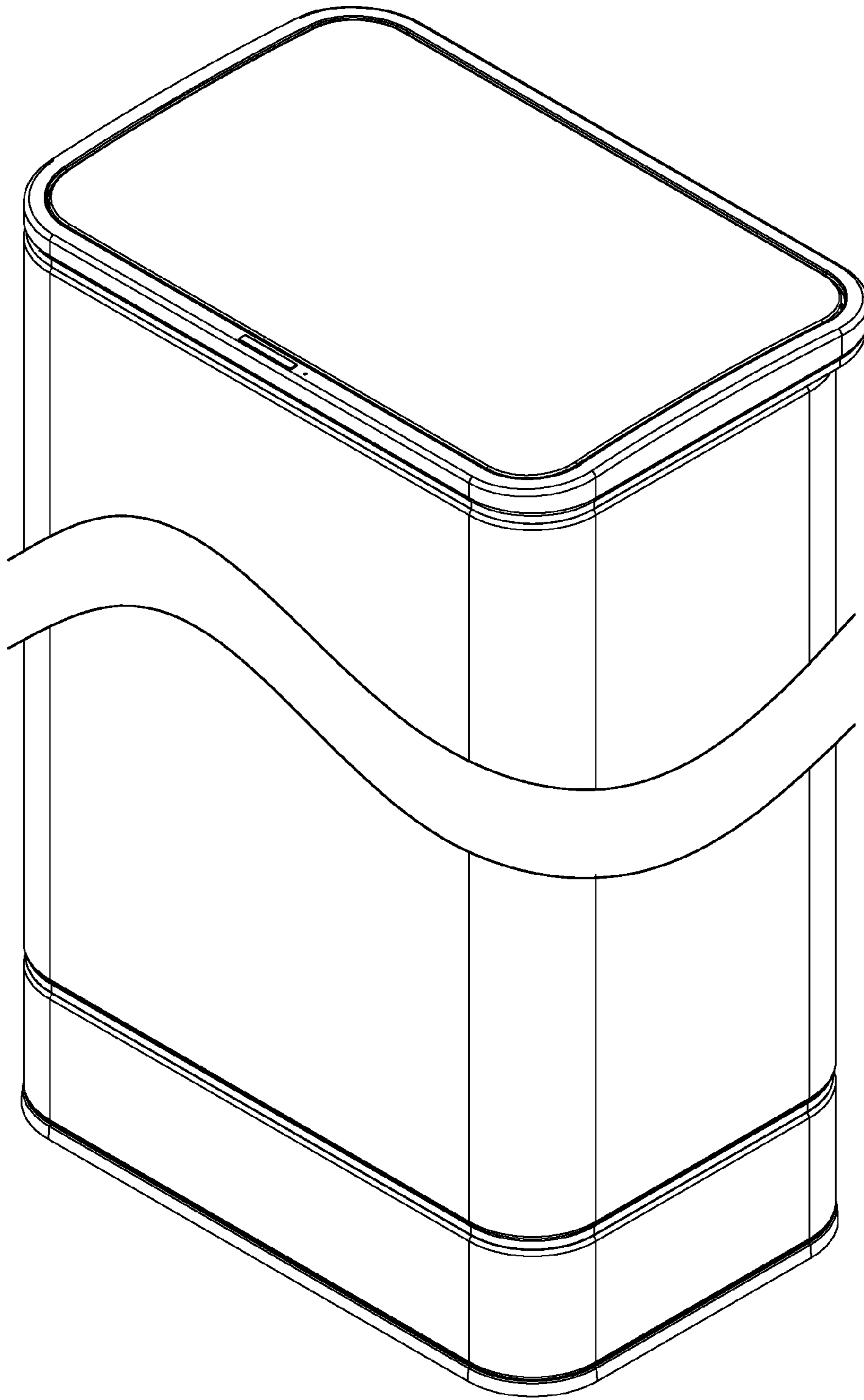


FIG. 1

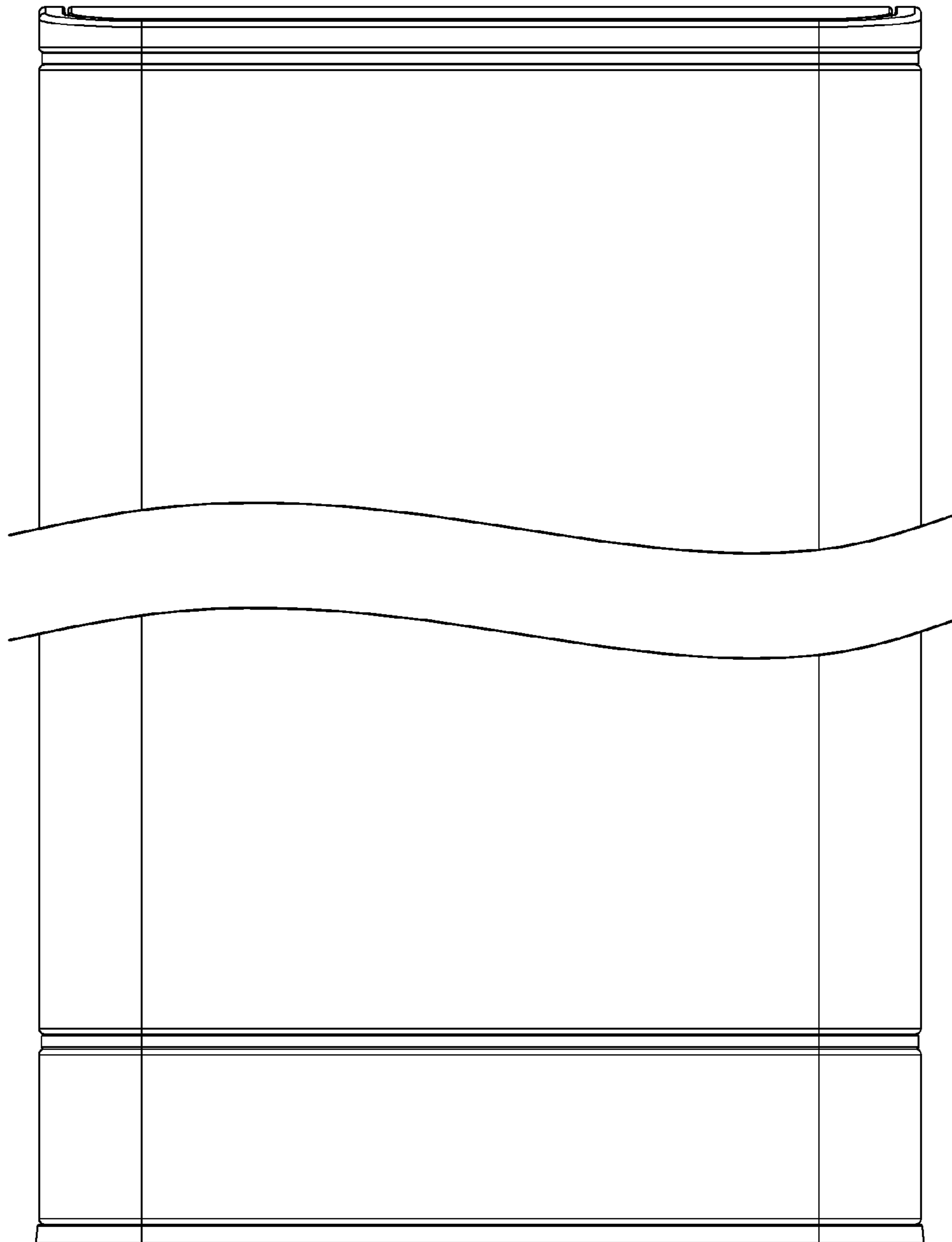


FIG. 2

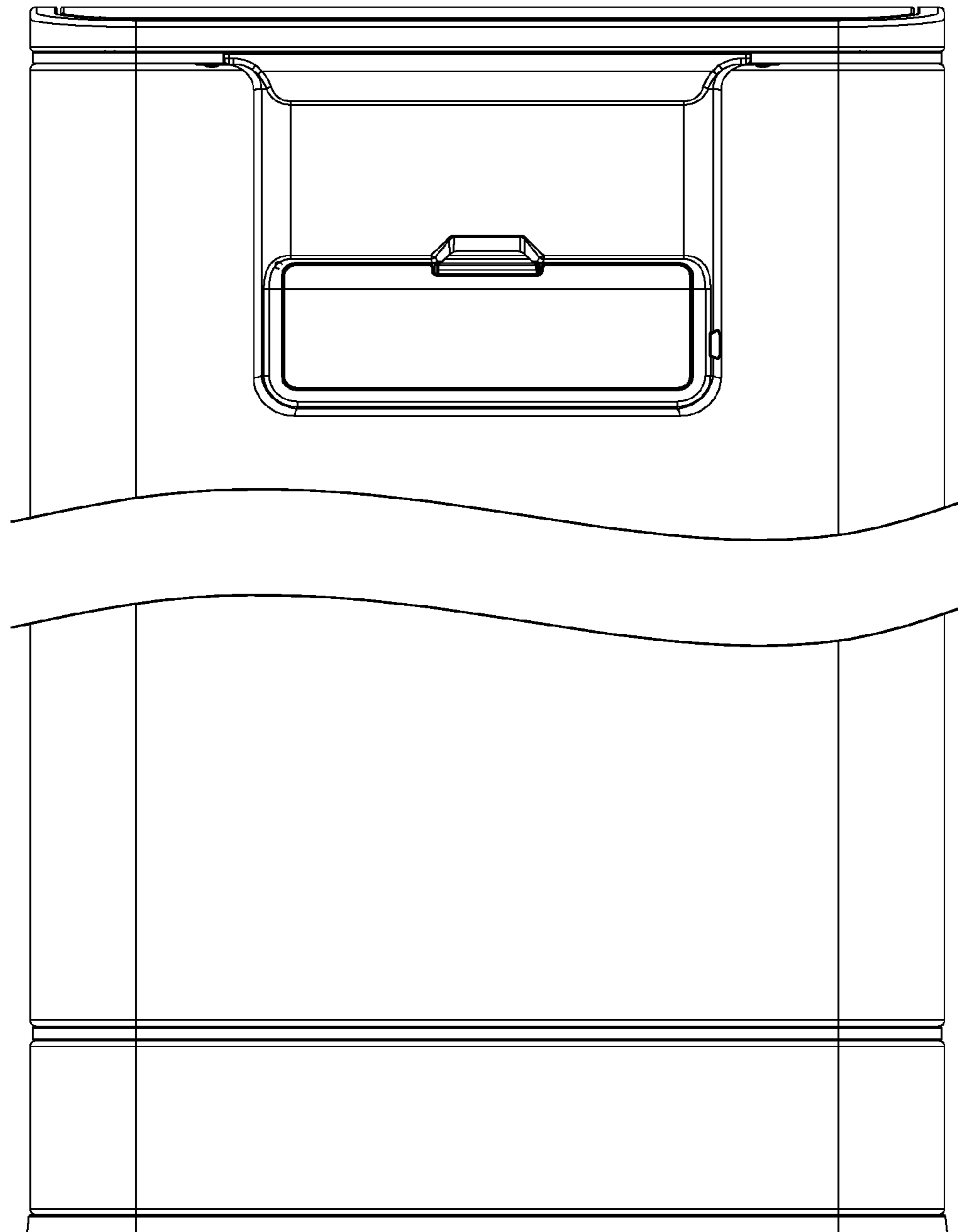


FIG. 3

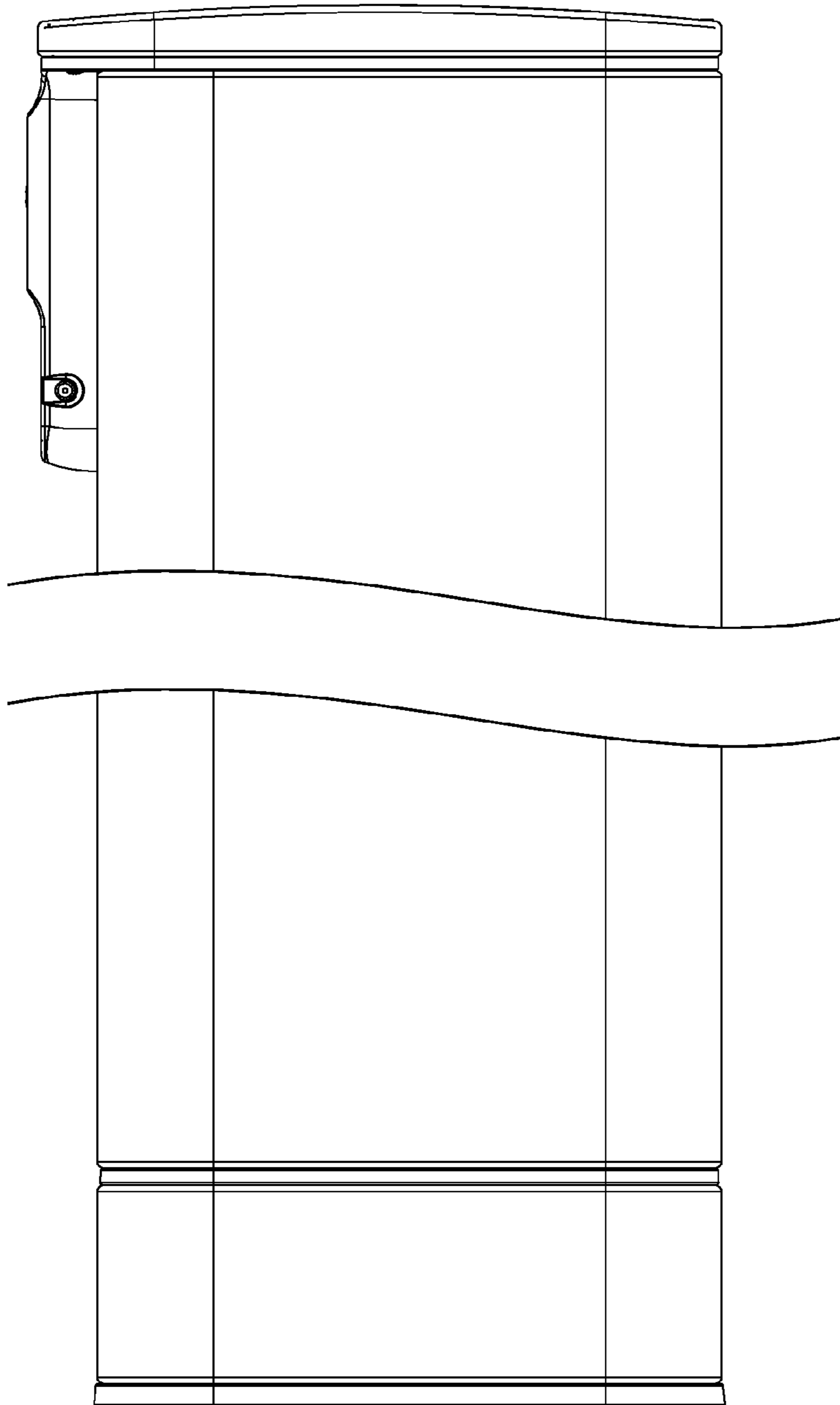


FIG. 4

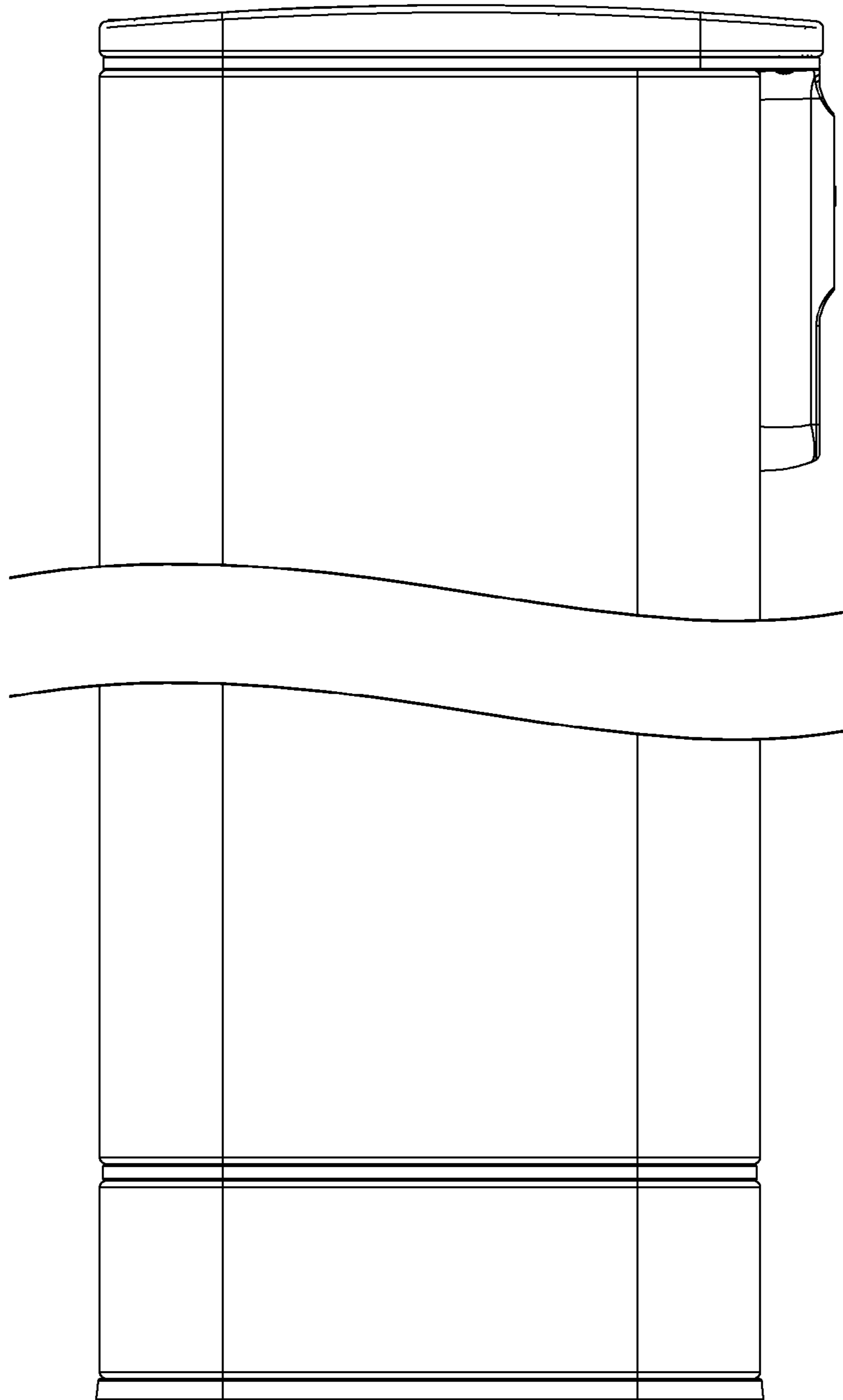


FIG. 5

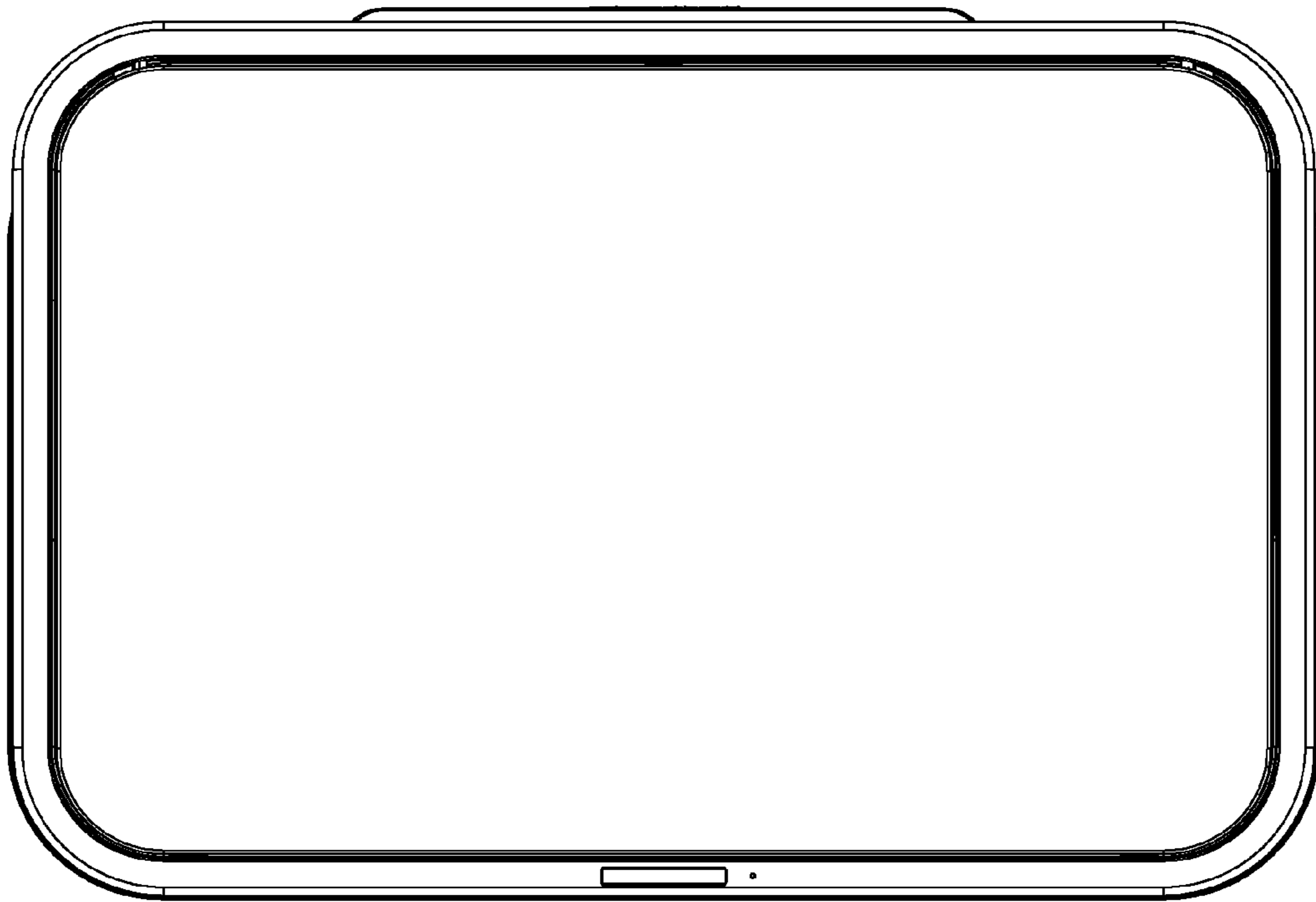


FIG. 6

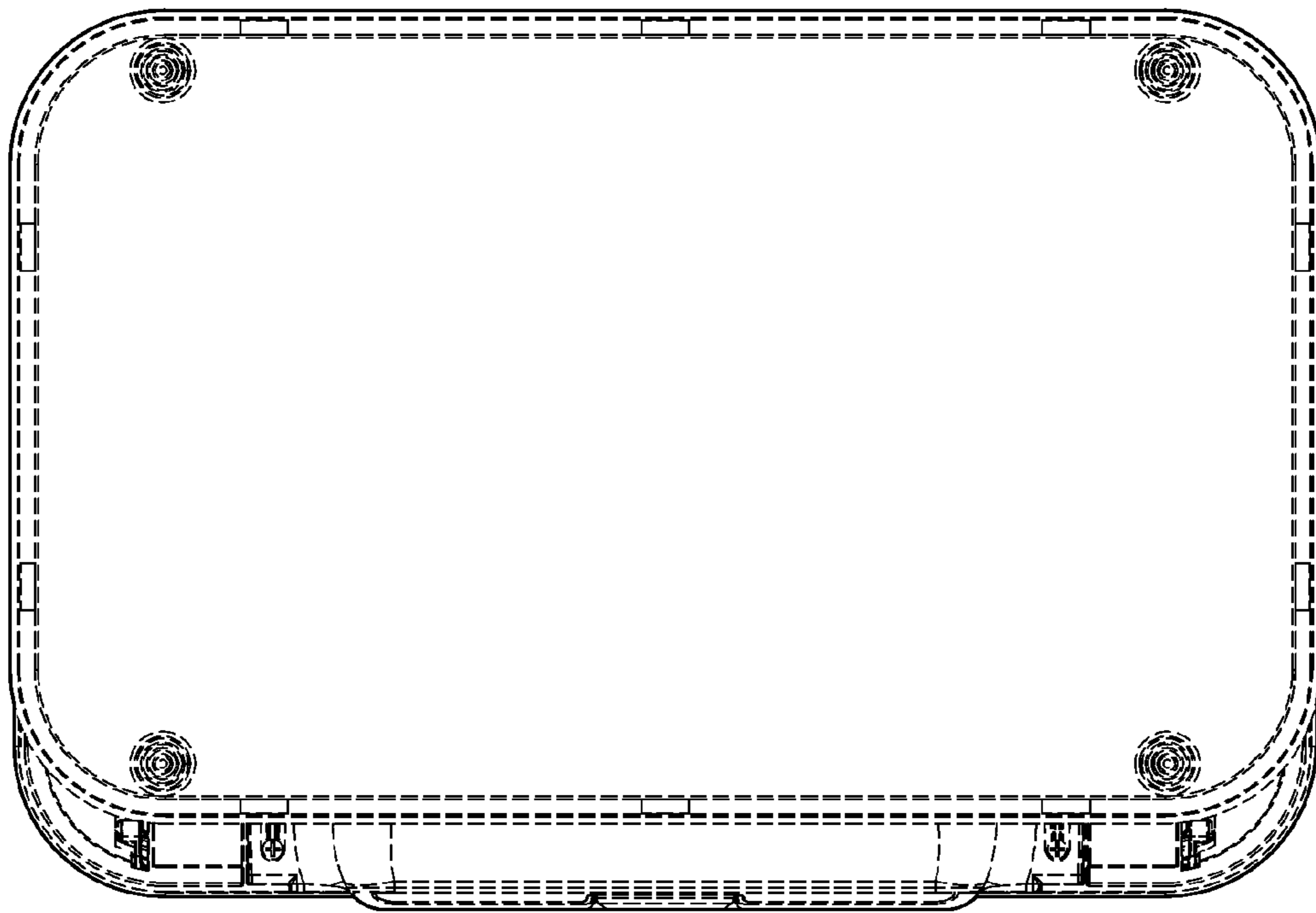


FIG. 7