



US00D634907S

(12) **United States Design Patent**
Bergman

(10) **Patent No.:** **US D634,907 S**
(45) **Date of Patent:** **** Mar. 22, 2011**

(54) **HAND-HELD PAINT CONTAINER**
(75) Inventor: **Mark W. Bergman**, Minnetonka, MN
(US)
(73) Assignee: **Bercom International, LLC**,
Chanhasen, MN (US)

D581,118 S * 11/2008 Bergman D32/53.1
D594,163 S * 6/2009 Sparano D32/53.1
2004/0118861 A1 6/2004 Bergman et al.
2004/0173622 A1 9/2004 Findleton
2004/0206761 A1 10/2004 Frantz
2006/0219720 A1 10/2006 Lundy et al.
2006/0226154 A1 10/2006 Lundy et al.
2006/0243732 A1 11/2006 Bergman

(**) Term: **14 Years**
(21) Appl. No.: **29/360,960**
(22) Filed: **May 4, 2010**

OTHER PUBLICATIONS

Painters' Helper Sporty's Tool Shop (1 page) bearing copyright notice of 2001).
Fourteen (14) photos of a pail known to the public prior to Apr. 29, 2004 (14 pages).

* cited by examiner

Related U.S. Application Data

(62) Division of application No. 29/297,901, filed on Nov. 21, 2007, now Pat. No. Des. 617,517.
(51) **LOC (9) Cl.** **07-07**
(52) **U.S. Cl.** **D32/53.1**
(58) **Field of Classification Search** D32/53,
D32/53.1, 54; 220/904, 694-702; 15/260,
15/263, 264, 257.06

Primary Examiner — Robin V Webster

(74) *Attorney, Agent, or Firm* — Westman, Champlin & Kelly

See application file for complete search history.

(57) **CLAIM**

The ornamental design for a hand-held paint container, as shown and described.

DESCRIPTION

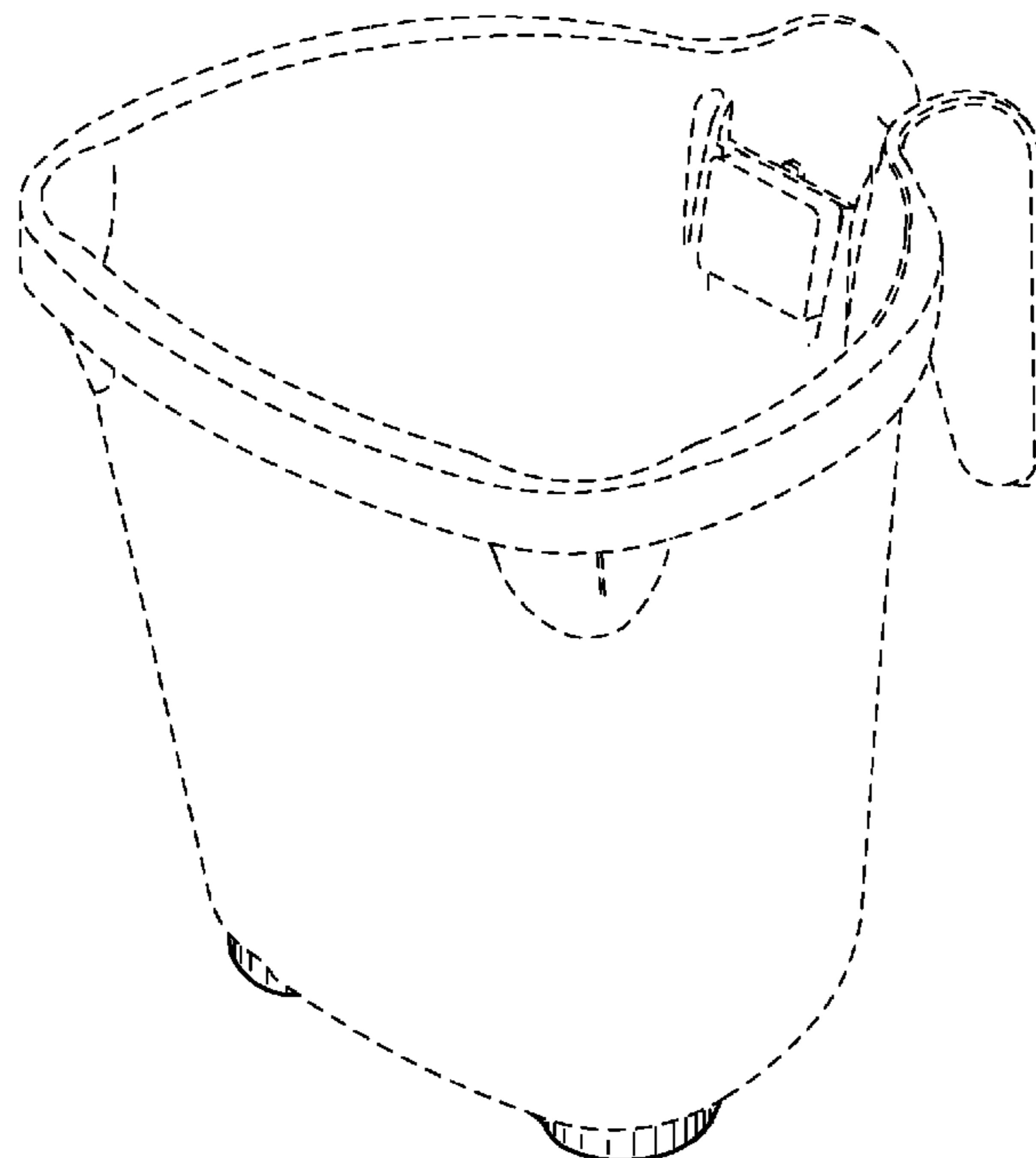
FIG. 1 is a perspective view of a hand-held container showing my new design;
FIG. 2 is a side view thereof, as taken from the left side of FIG. 1;
FIG. 3 is a side view thereof, as taken from the right side of FIG. 1 (the side views are mirror images of one another);
FIG. 4 is a front view thereof;
FIG. 5 is a rear view thereof;
FIG. 6 is a top view thereof; and,
FIG. 7 is a bottom view thereof.
The broken lines in FIGS. 1-7 are for illustrative purposes only and form no part of the claimed design.

(56) **References Cited**

U.S. PATENT DOCUMENTS

2,228,536	A	1/1941	Scalph	
4,927,046	A	5/1990	Armstrong	
5,341,969	A	8/1994	Accardo et al.	
5,429,262	A	7/1995	Sharkey	
6,065,633	A	5/2000	Abbey	
D444,929	S	7/2001	Cox	
D460,845	S	7/2002	Bergman	
D483,917	S *	12/2003	Frantz D32/53.1
D518,263	S *	3/2006	Verhaar D32/53.1
D562,518	S	2/2008	Lundy	

1 Claim, 4 Drawing Sheets



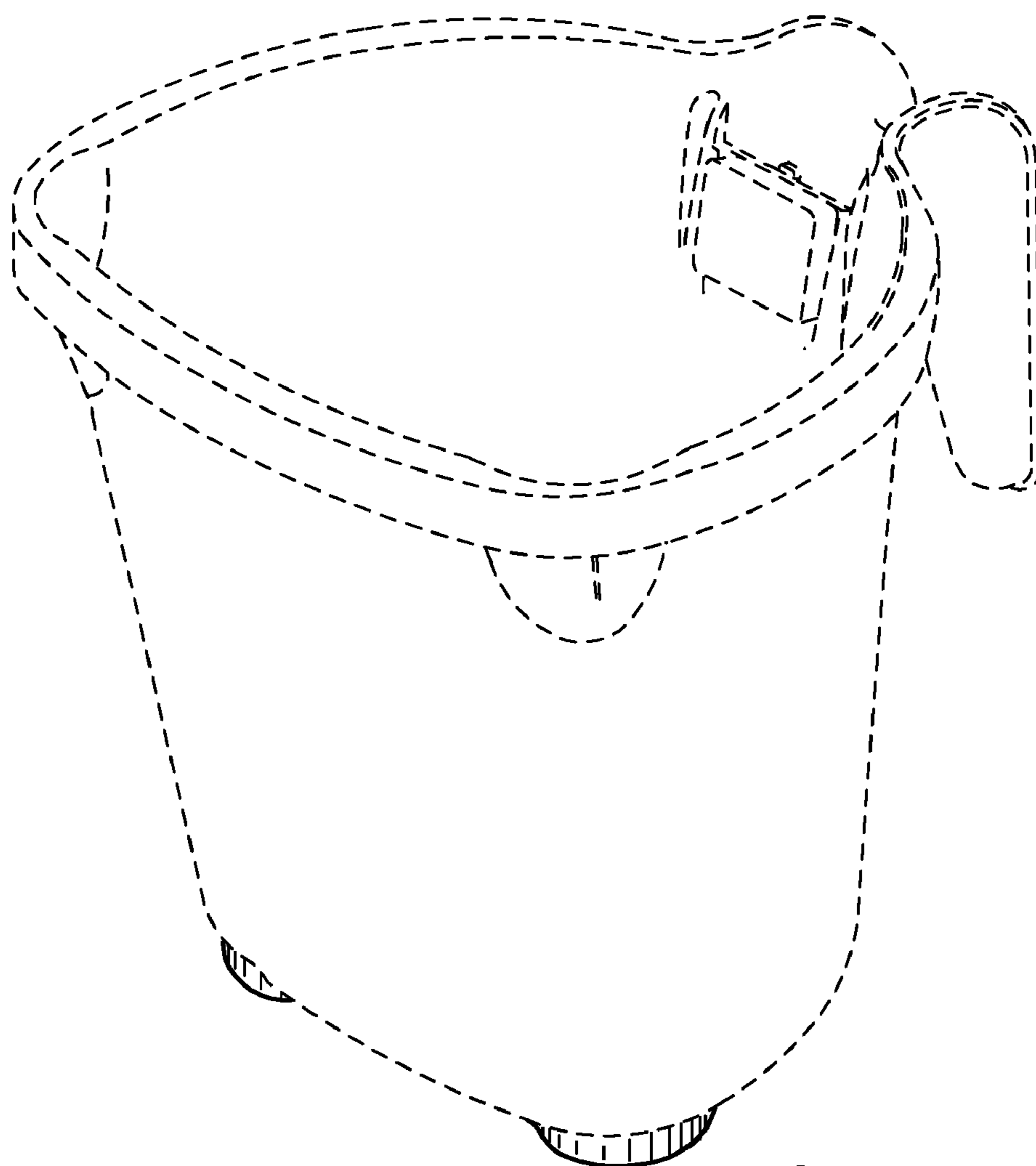


FIG. 1

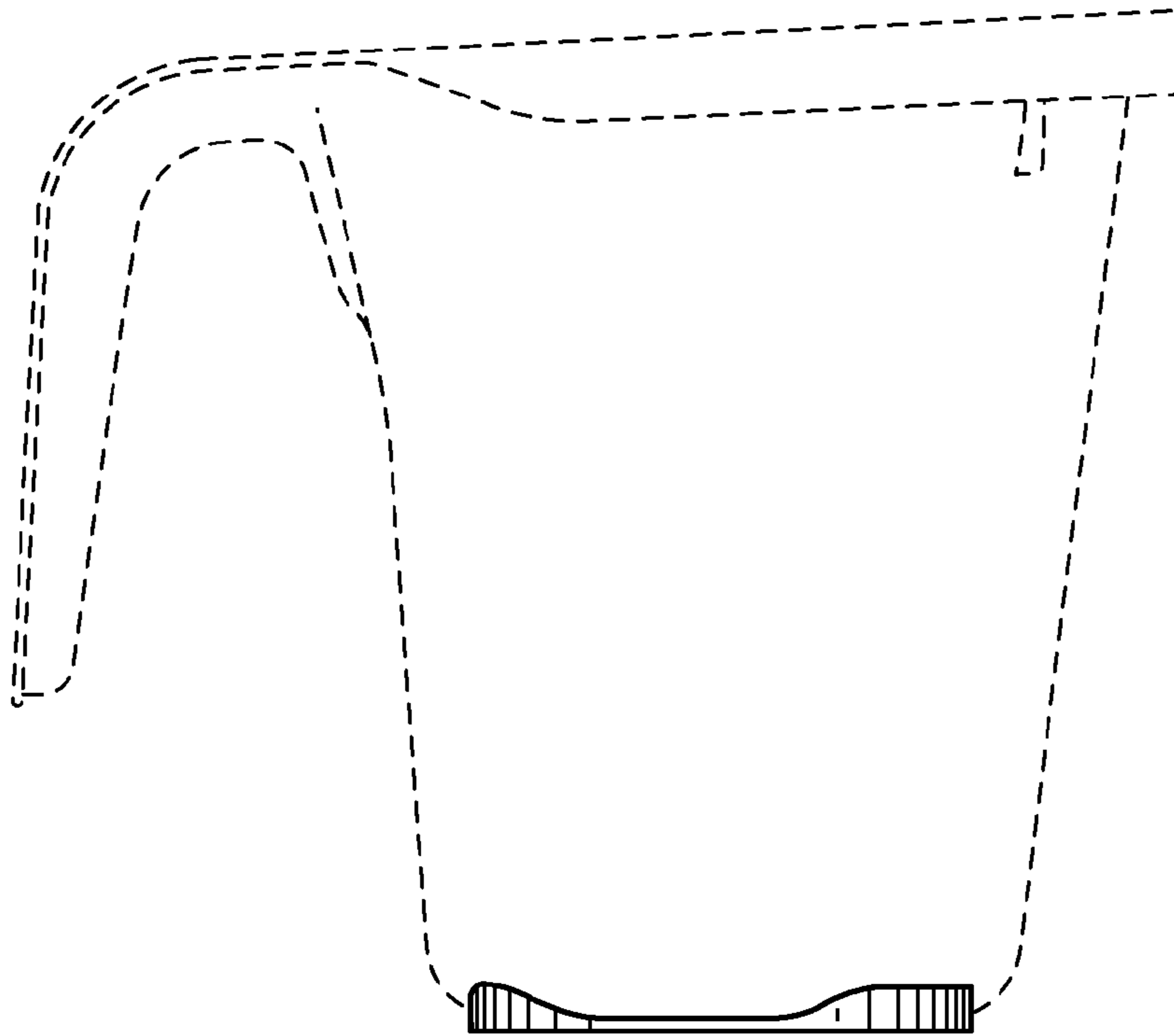


FIG. 2

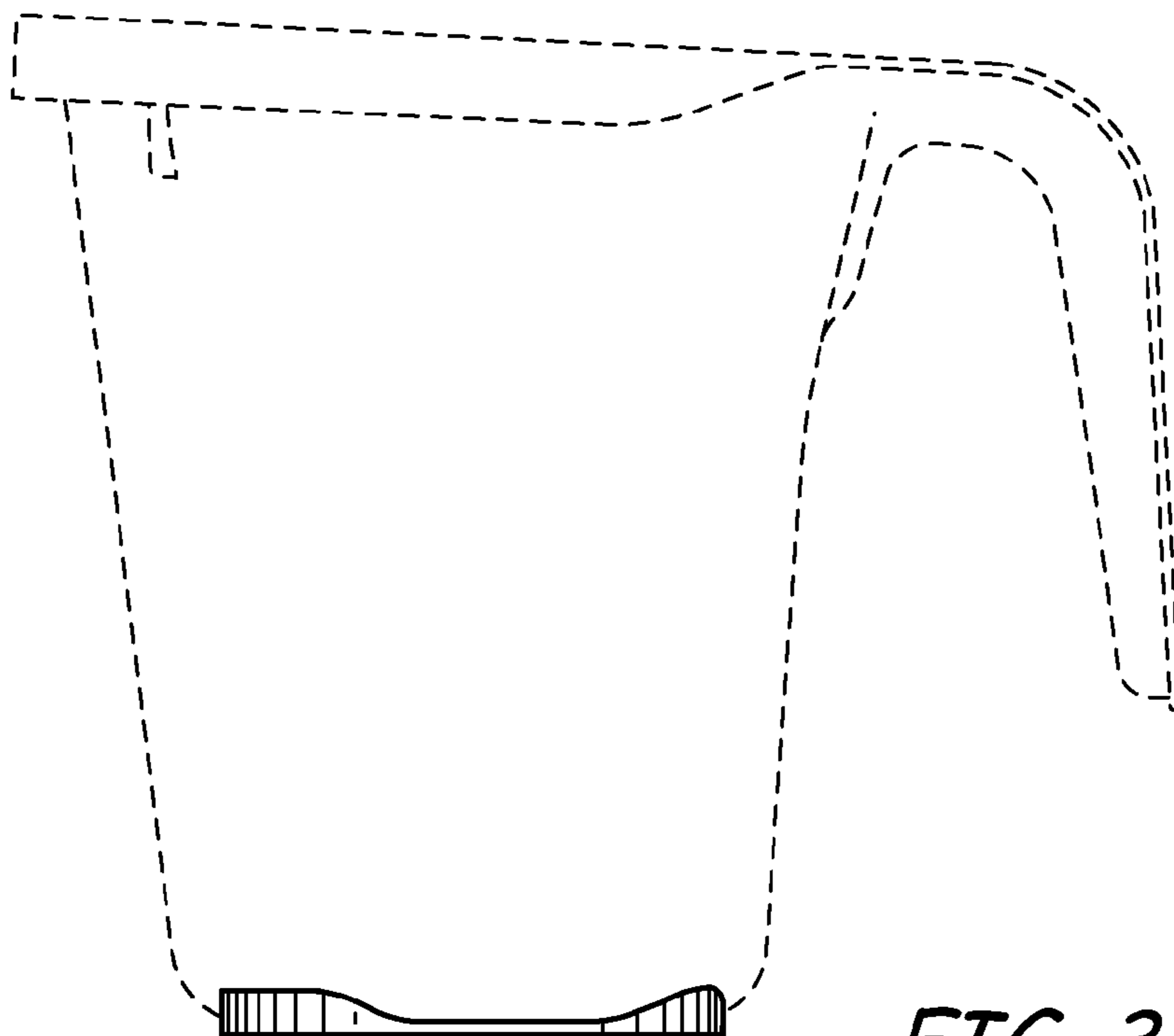


FIG. 3

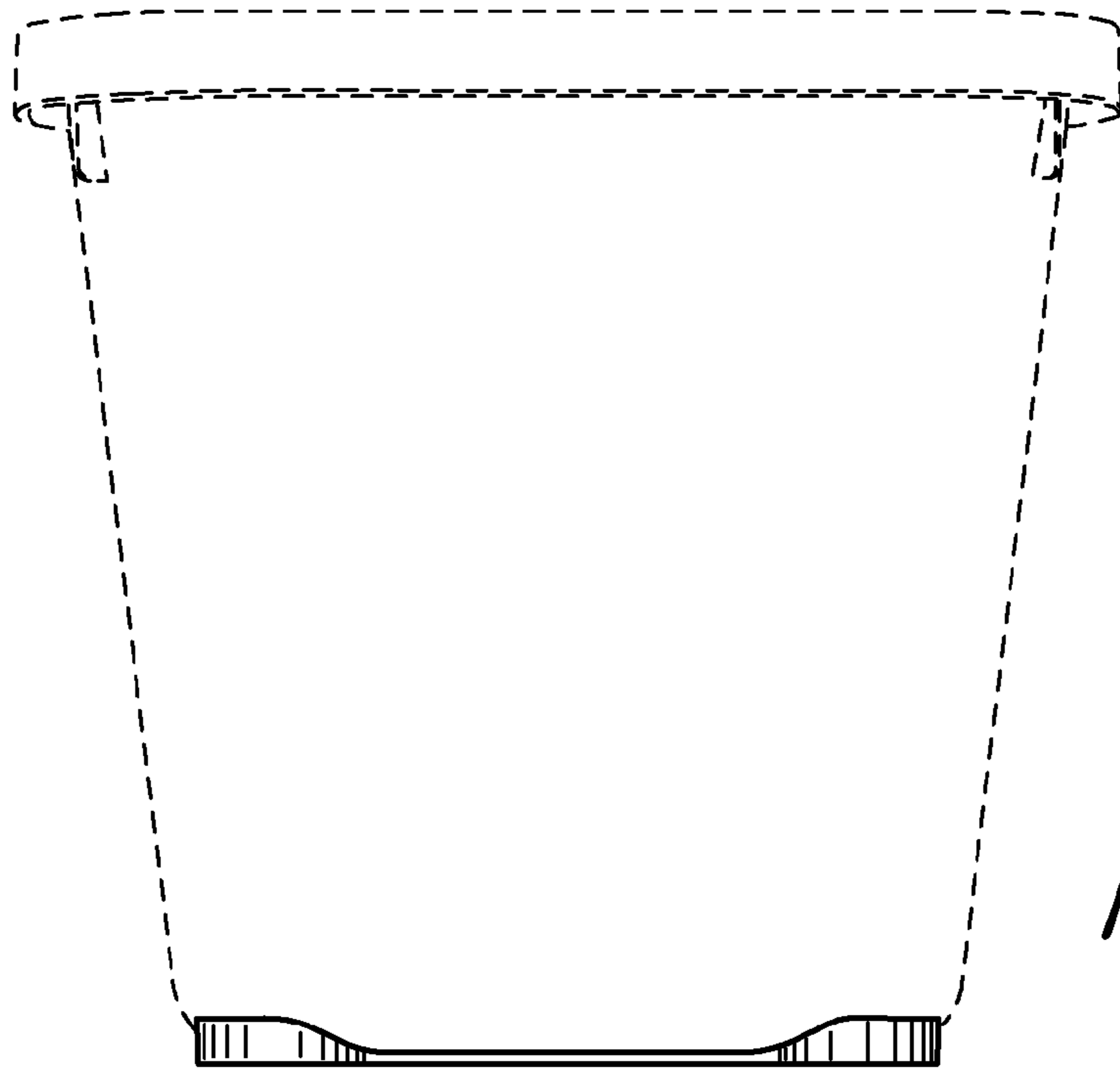


FIG. 4

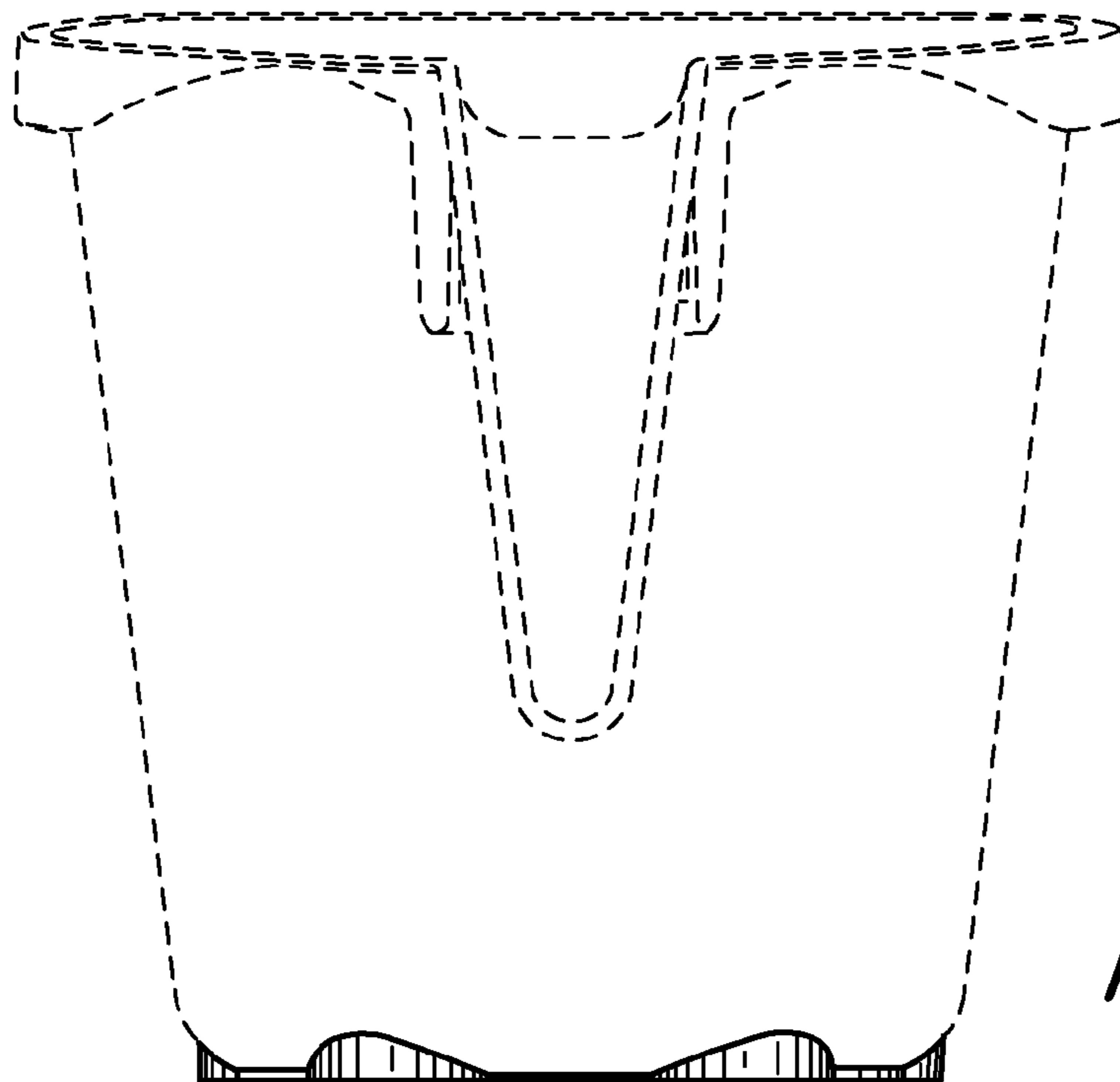


FIG. 5

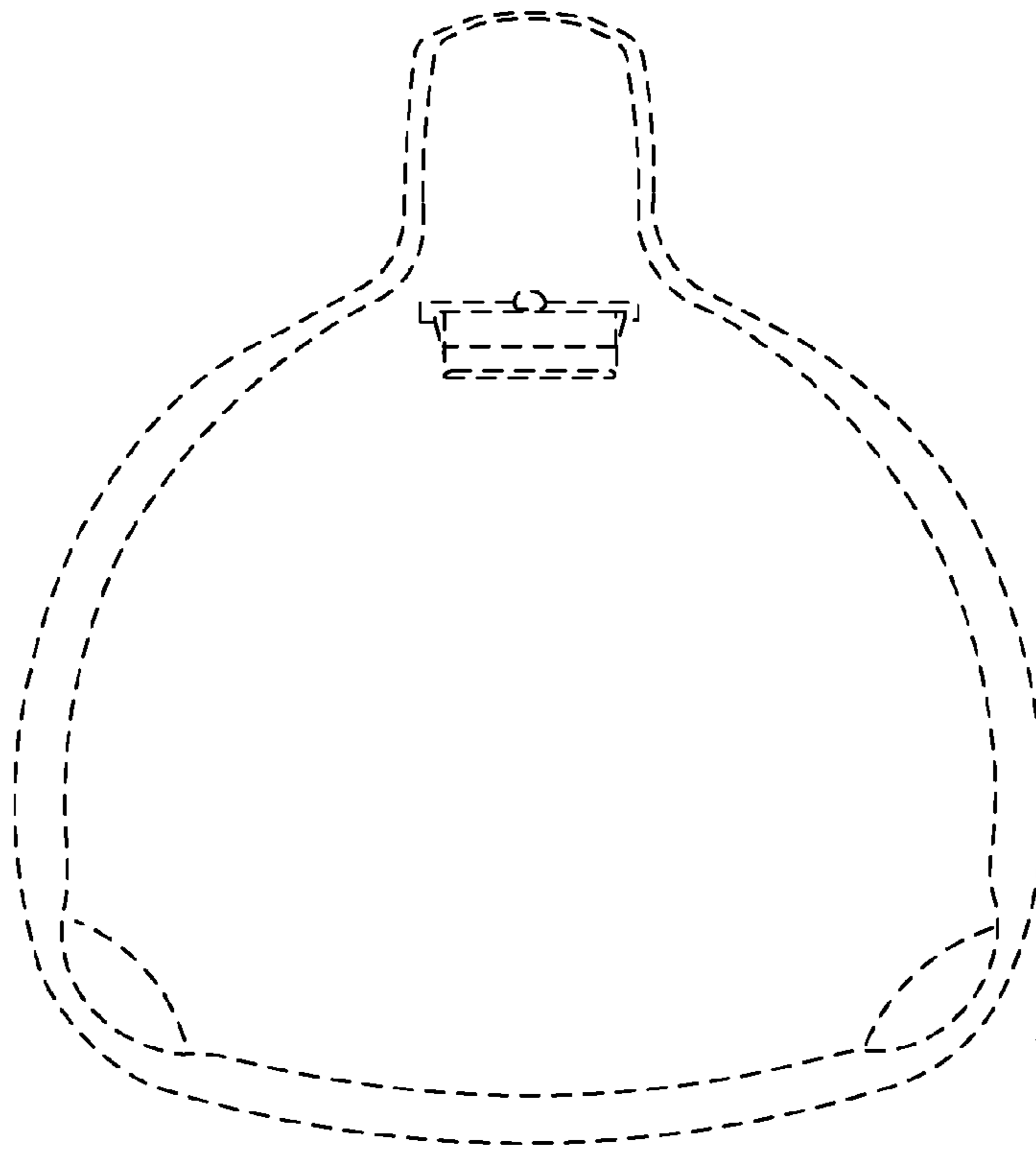


FIG. 6

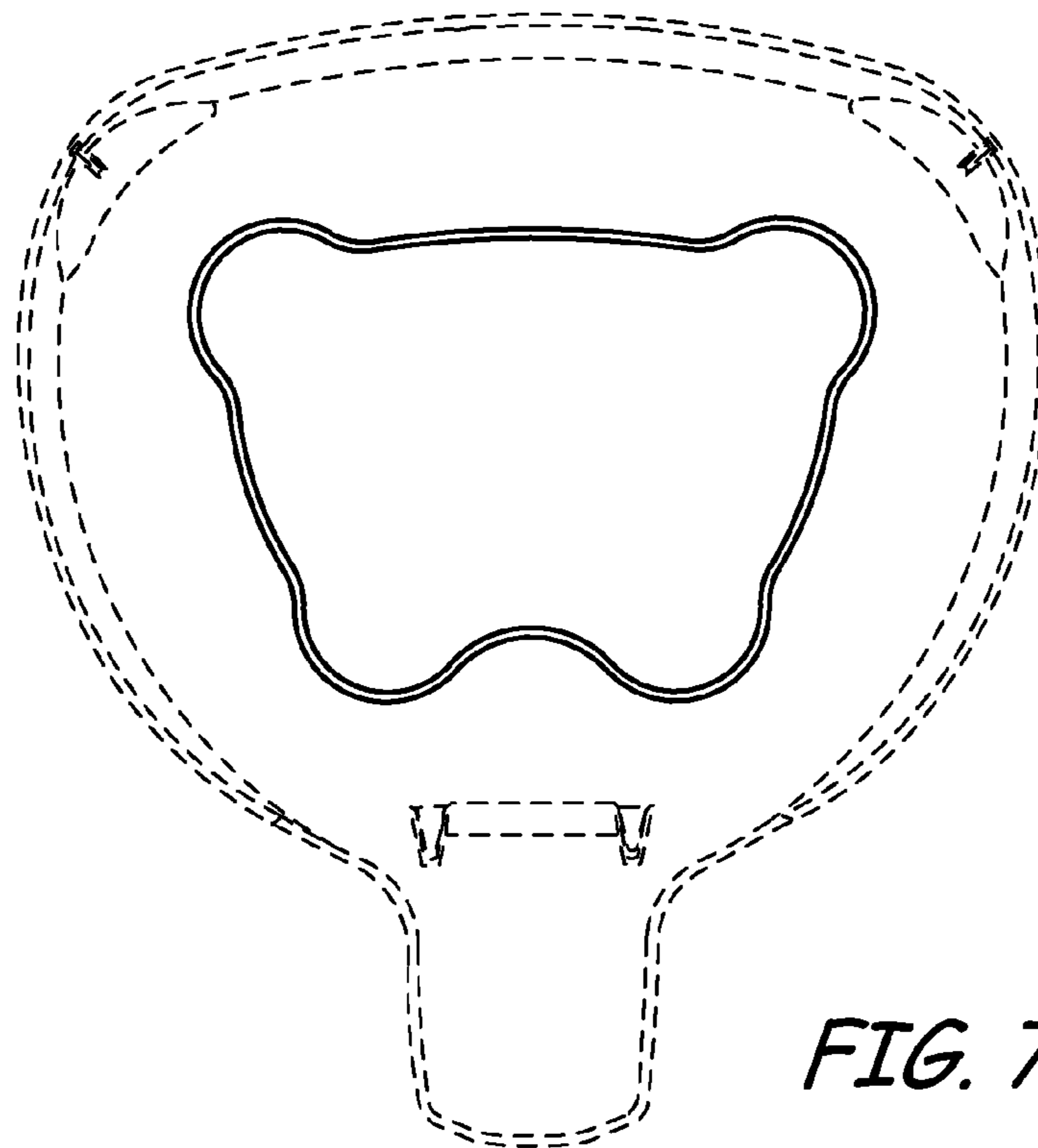


FIG. 7

UNITED STATES PATENT AND TRADEMARK OFFICE
Certificate

Patent No. D. 634,907 S

Patented: March 22, 2011

On petition requesting issuance of a certificate for correction of inventorship pursuant to 35 U.S.C. 256, it has been found that the above identified patent, through error and without any deceptive intent, improperly sets forth the inventorship.

Accordingly, it is hereby certified that the correct inventorship of this patent is: Mark W. Bergman, Minnetonka, MN (US); Matthew V. Leyden, St. Paul, MN (US); Jeffrey B. Waffensmith, North Oaks, MN (US); and Jeffrey T. Given, St. Paul, MN (US).

Signed and Sealed this Twenty-fifth Day of June 2013.

CATHRON BROOKS
Supervisory Patent Examiner
Art Unit 2911
Technology Center 2900