



US00D634904S

(12) **United States Design Patent**
Preda

(10) **Patent No.:** **US D634,904 S**

(45) **Date of Patent:** **** Mar. 22, 2011**

(54) **LINT TRAP CONTAINER**

(75) **Inventor:** **George Preda, Kent, WA (US)**

(73) **Assignee:** **George Preda, Kent, WA (US)**

(**) **Term:** **14 Years**

(21) **Appl. No.:** **29/315,685**

(22) **Filed:** **Jul. 15, 2009**

(51) **LOC (9) Cl.** **15-05**

(52) **U.S. Cl.** **D32/25**

(58) **Field of Classification Search** D23/365,
D23/393; D32/1, 25; 55/319, 482; 34/79,
34/82, 235

See application file for complete search history.

(56) **References Cited**

U.S. PATENT DOCUMENTS

3,487,624	A *	1/1970	Tignanelli	55/482
4,137,647	A *	2/1979	Clark, Jr.	34/82
4,338,731	A *	7/1982	Shames et al.	34/82
D277,131	S *	1/1985	Shames et al.	D23/393
4,498,247	A *	2/1985	Benevento	34/82
D281,271	S *	11/1985	Meyer et al.	D23/365
4,561,868	A *	12/1985	von Reis et al.	55/319
5,628,122	A *	5/1997	Spinardi	34/79
5,675,908	A *	10/1997	Barnes	34/235

6,671,977	B2 *	1/2004	Beaumont	34/79
2005/0160708	A1 *	7/2005	Iantorno	55/482
2007/0101603	A1 *	5/2007	Beaumont	34/85

* cited by examiner

Primary Examiner — T. Chase Nelson
Assistant Examiner — Kathleen M Sims

(57) **CLAIM**

The ornamental design for a lint trap container, as shown and described.

DESCRIPTION

FIG. 1 is an upper perspective view of the lint trap container showing my design;
FIG. 2 is an end view thereof;
FIG. 3 is a side views thereof, the opposite side being a mirror image thereof;
FIG. 4 is an opposite end view thereof;
FIG. 5 is a top plan view thereof;
FIG. 6 is a bottom plan view thereof; and,
FIG. 7 is a cross-section view of FIG. 2, taken along line 7—7, thereof.

The broken lines showing of water in FIG. 7 is included for illustrating the environmental matter of the lint trap container, and forms no part of the claimed design.

1 Claim, 4 Drawing Sheets

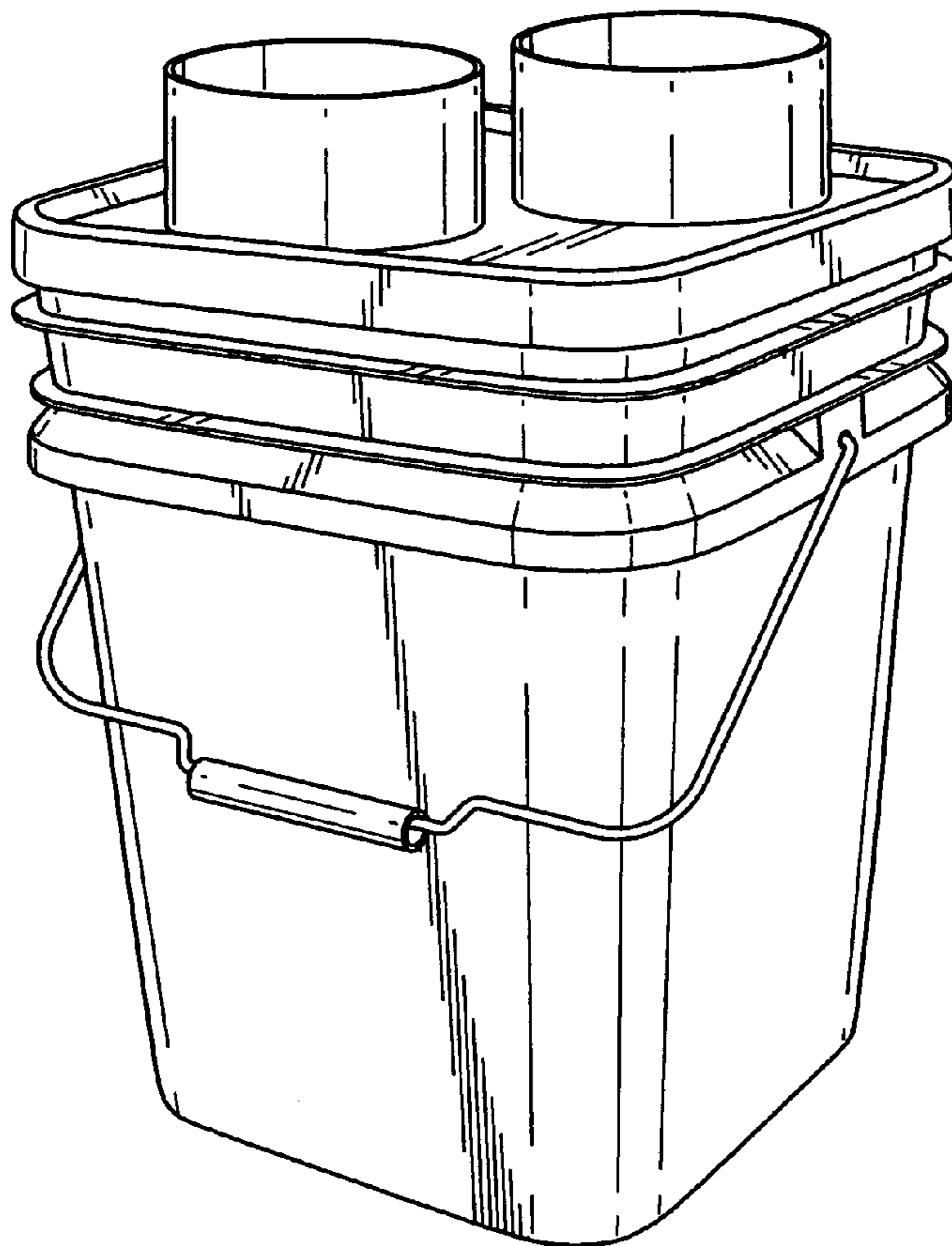
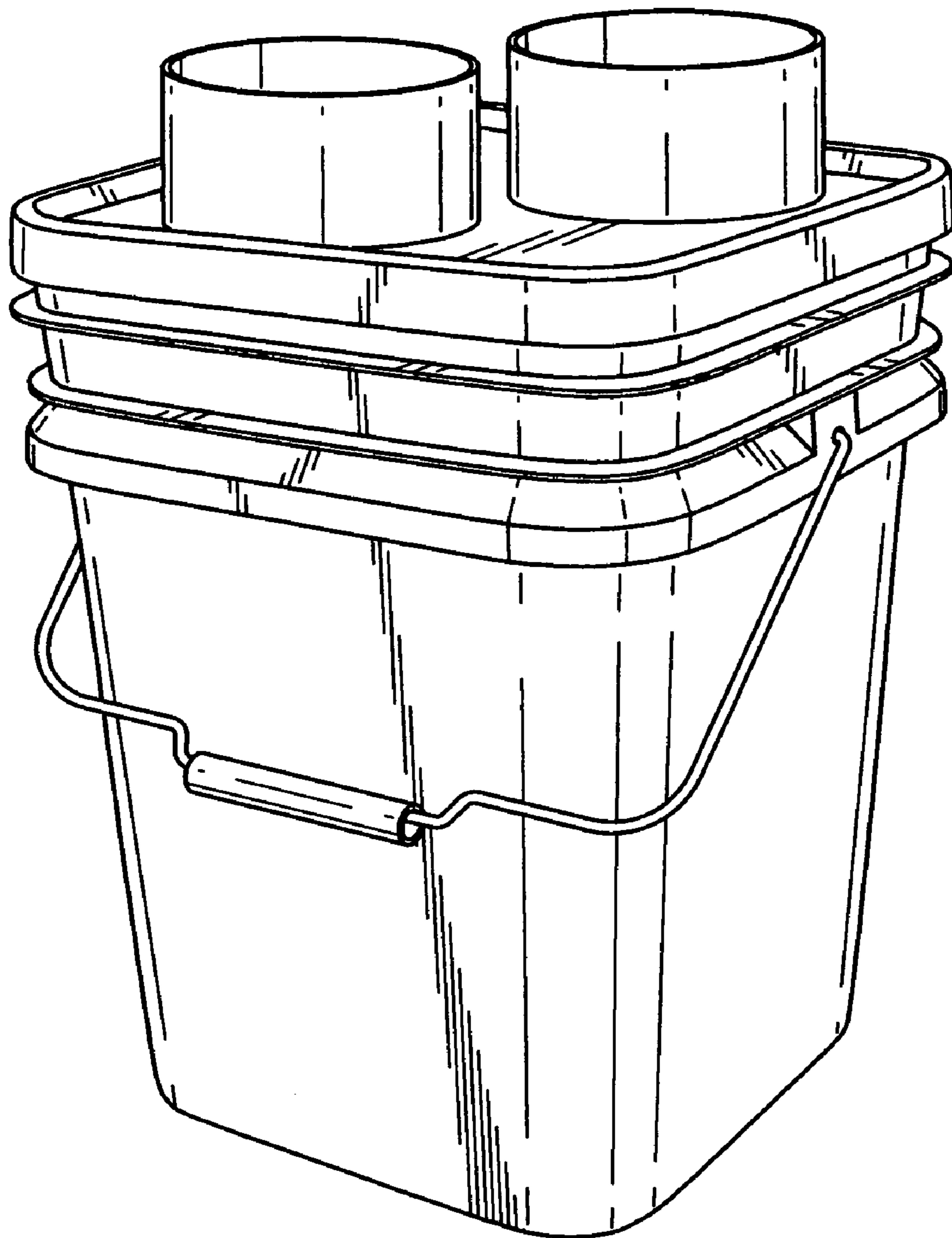


FIG. 1



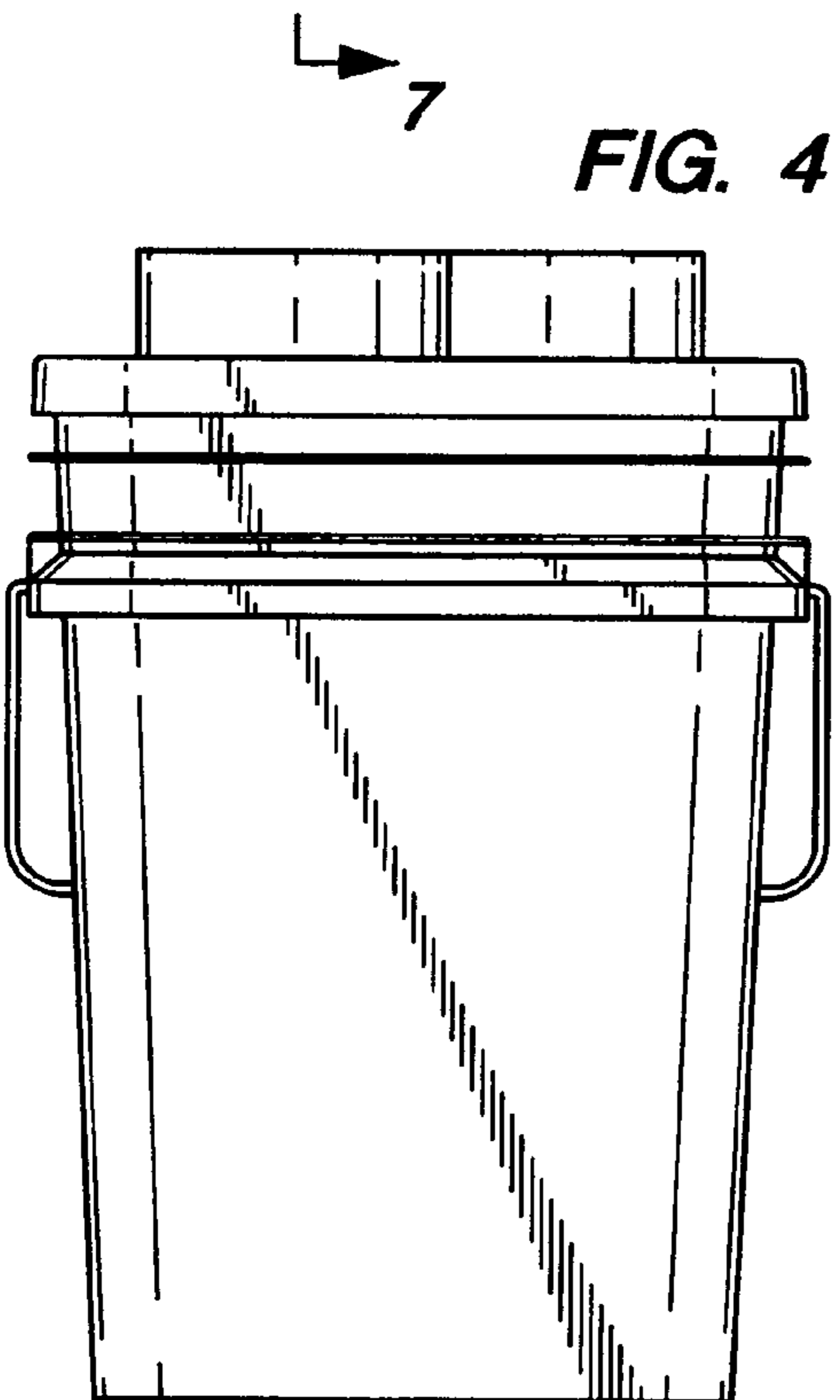
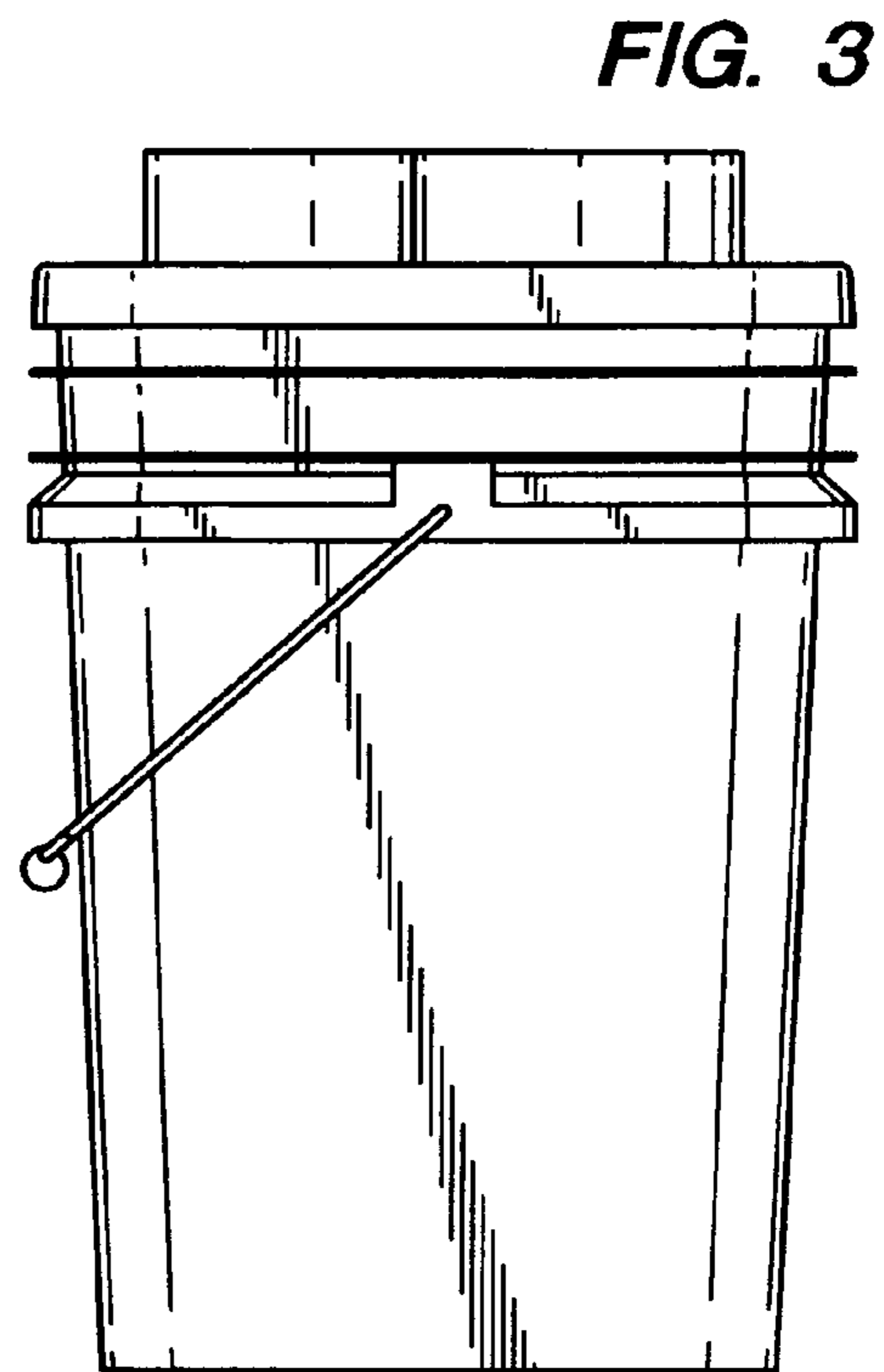
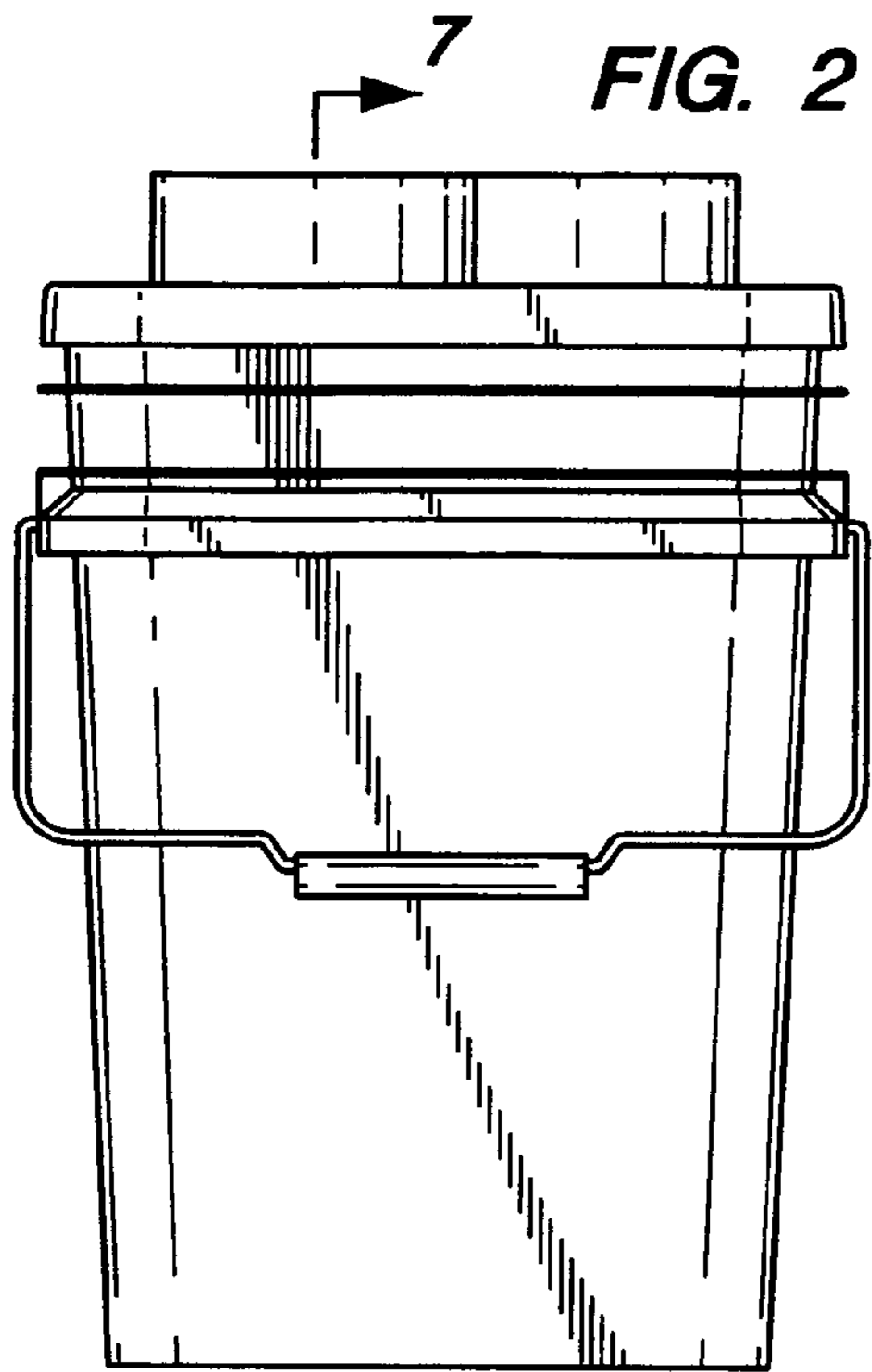


FIG. 5

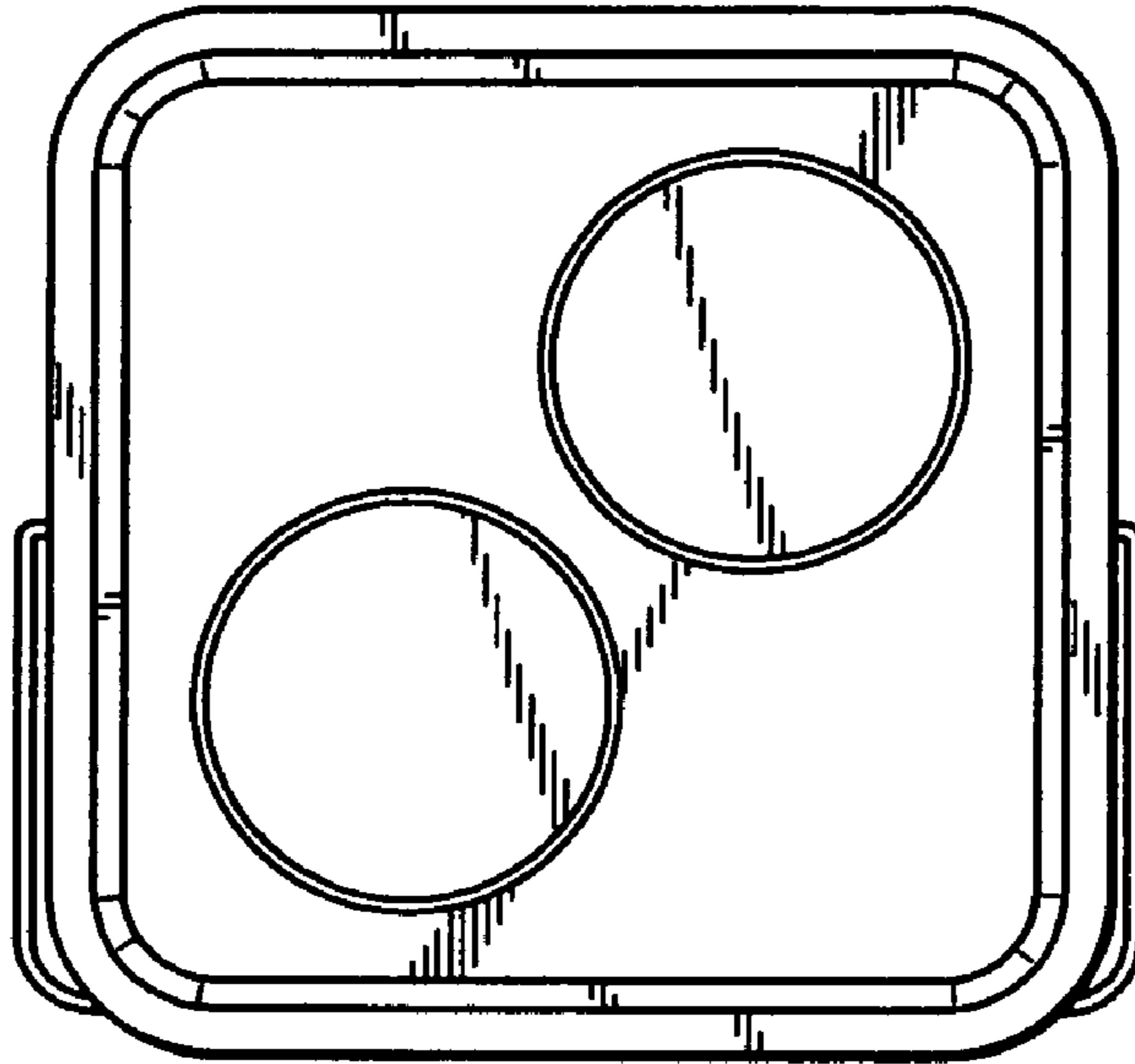


FIG. 6

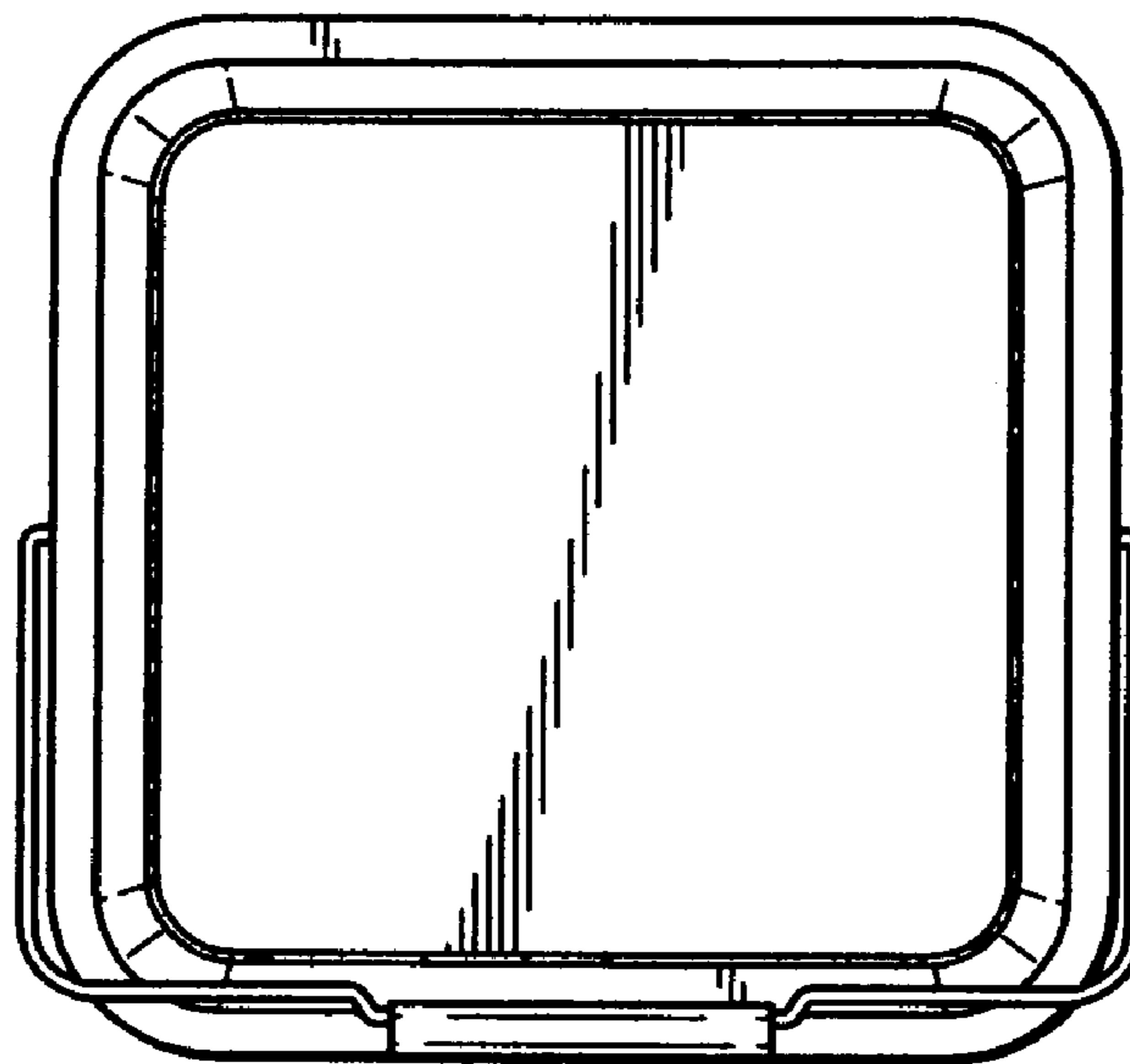


FIG. 7

