



US00D634898S

(12) **United States Design Patent**  
**Lion et al.**

(10) **Patent No.:** **US D634,898 S**  
(45) **Date of Patent:** **\*\* Mar. 22, 2011**

(54) **POT HOLDER**

(75) Inventors: **Mathieu Lion**, Paris (FR); **Lucas Bignon**, Paris (FR)

(73) Assignee: **Mastrad, S.A.**, Paris (FR)

(\*\*) Term: **14 Years**

(21) Appl. No.: **29/360,104**

(22) Filed: **Apr. 20, 2010**

(51) **LOC (9) Cl.** ..... **06-13**

(52) **U.S. Cl.** ..... **D29/119**

(58) **Field of Classification Search** ..... D2/610,  
D2/612, 613, 614, 615, 616, 617, 618, 619,  
D2/620, 621, 622, 623; D/388; D29/113,  
D29/114, 115, 116.1, 116.2, 117.1, 117.2,  
D29/118, 119, 120.1, 120.2, 122, 123; D32/40,  
D32/41, 42, 43; 2/16, 18, 20, 21, 158, 159,  
2/160, 161.1, 161.2, 161.3, 161.4, 161.5,  
2/161.6, 161.7, 161.8, 162, 163, 170, 455,  
2/907, 917; 15/104.94, 107, 227; 68/220;  
441/56, 57, 58; 602/21

See application file for complete search history.

(56) **References Cited**

**U.S. PATENT DOCUMENTS**

61,841	A *	2/1867	Lewis	68/220
98,856	A *	1/1870	Dugdale	68/220
580,148	A *	4/1897	Staples	38/95
1,403,817	A *	1/1922	Pinson	68/220
1,990,553	A *	2/1935	Hirsch et al.	2/20
2,041,262	A *	5/1936	Ness	15/188
2,069,449	A *	2/1937	Jensen	2/20
2,093,043	A *	9/1937	Gamble	68/220
6,145,128	A *	11/2000	Suzuki	2/21
D470,980	S *	2/2003	Bignon et al.	D29/118

D477,690	S *	7/2003	Howell et al.	D29/118
D490,189	S *	5/2004	Bignon et al.	D29/118
D491,318	S *	6/2004	Bignon et al.	D29/118
D500,177	S *	12/2004	Wu	D29/118
D504,544	S *	4/2005	Lee	D29/118
D508,368	S *	8/2005	Lion et al.	D7/388
7,117,536	B2 *	10/2006	Burnett et al.	2/16
7,165,270	B2 *	1/2007	DeYoung et al.	2/16
D544,152	S *	6/2007	Lion et al.	D29/113
D547,010	S *	7/2007	Shamoon	D29/118
D575,460	S *	8/2008	Patel	D29/118
D580,215	S *	11/2008	McCarthy et al.	D7/368
2003/0131393	A1 *	7/2003	Votolato	2/16

**OTHER PUBLICATIONS**

Mastrad Pot Holder [on-line]; review dated Jan. 10, 2010; [retrieved from the Internet Nov. 4, 2010]; URL: <http://www.redcandy.co.uk/product-mastrad-pot-holder.php> (3 pages).\*

\* cited by examiner

*Primary Examiner* — Elizabeth A Albert

*Assistant Examiner* — Karen E Eldridge Powers

(74) *Attorney, Agent, or Firm* — Connolly Bove Lodge & Hutz LLP

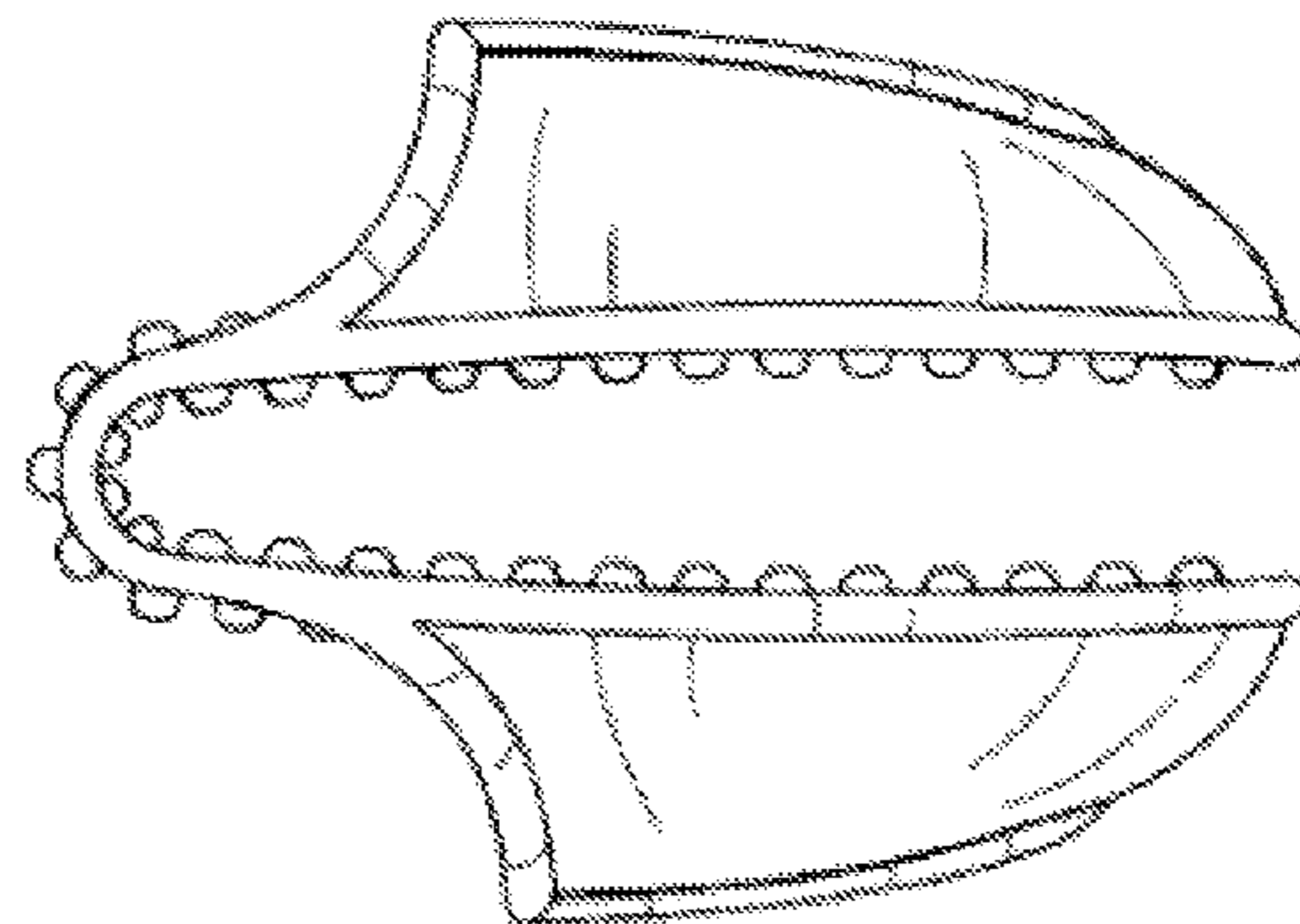
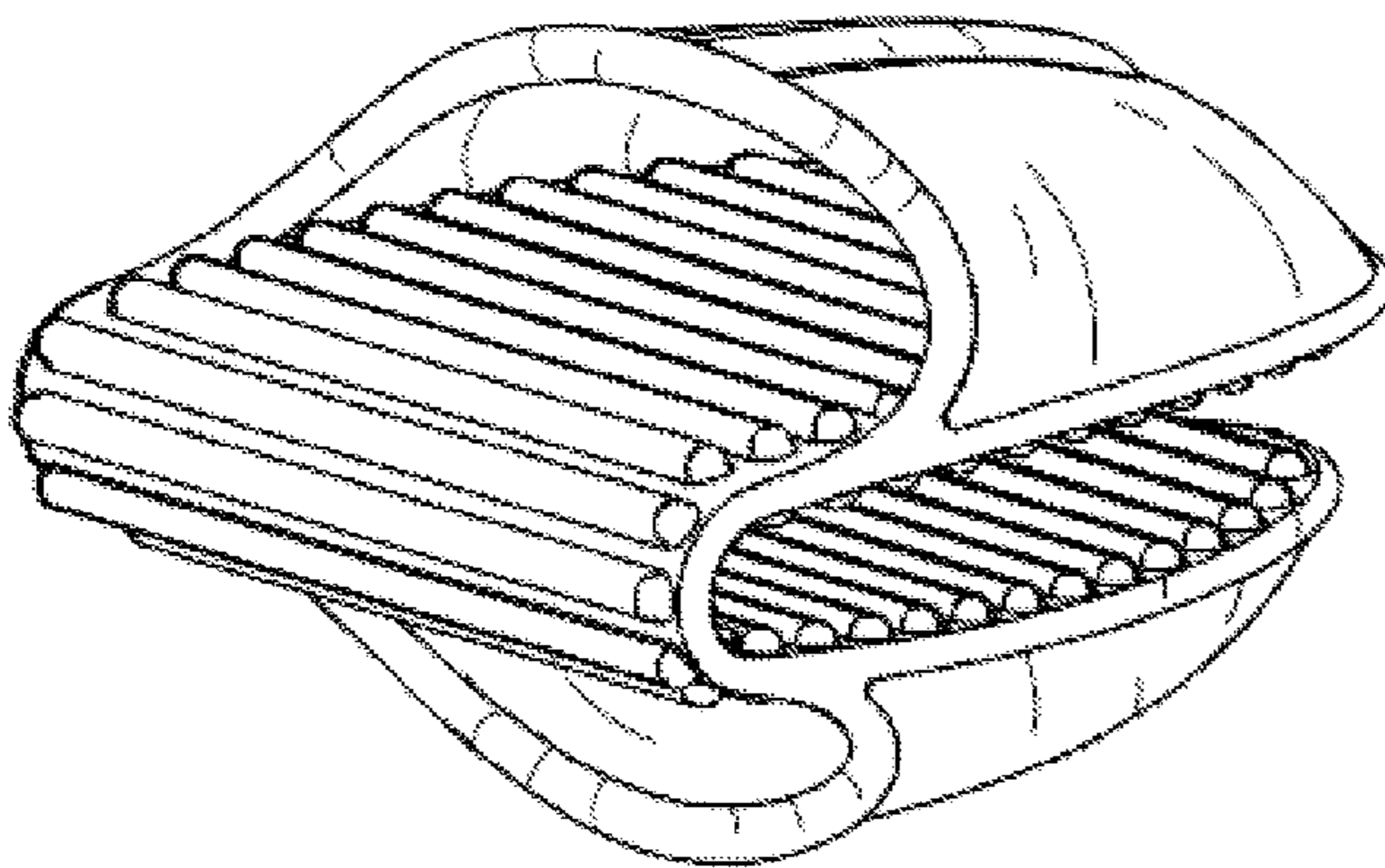
(57) **CLAIM**

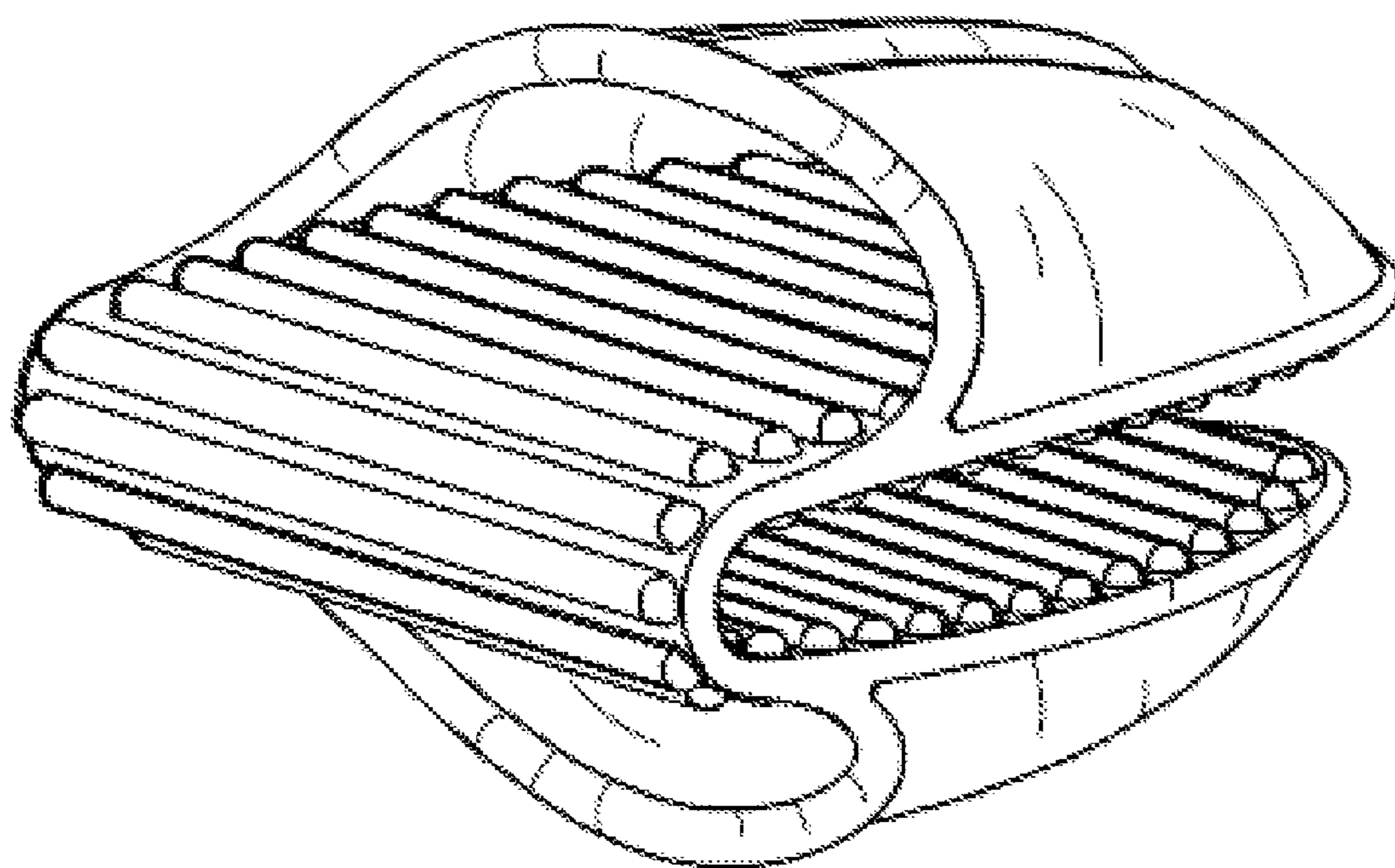
The ornamental design for a pot holder, as shown and described.

**DESCRIPTION**

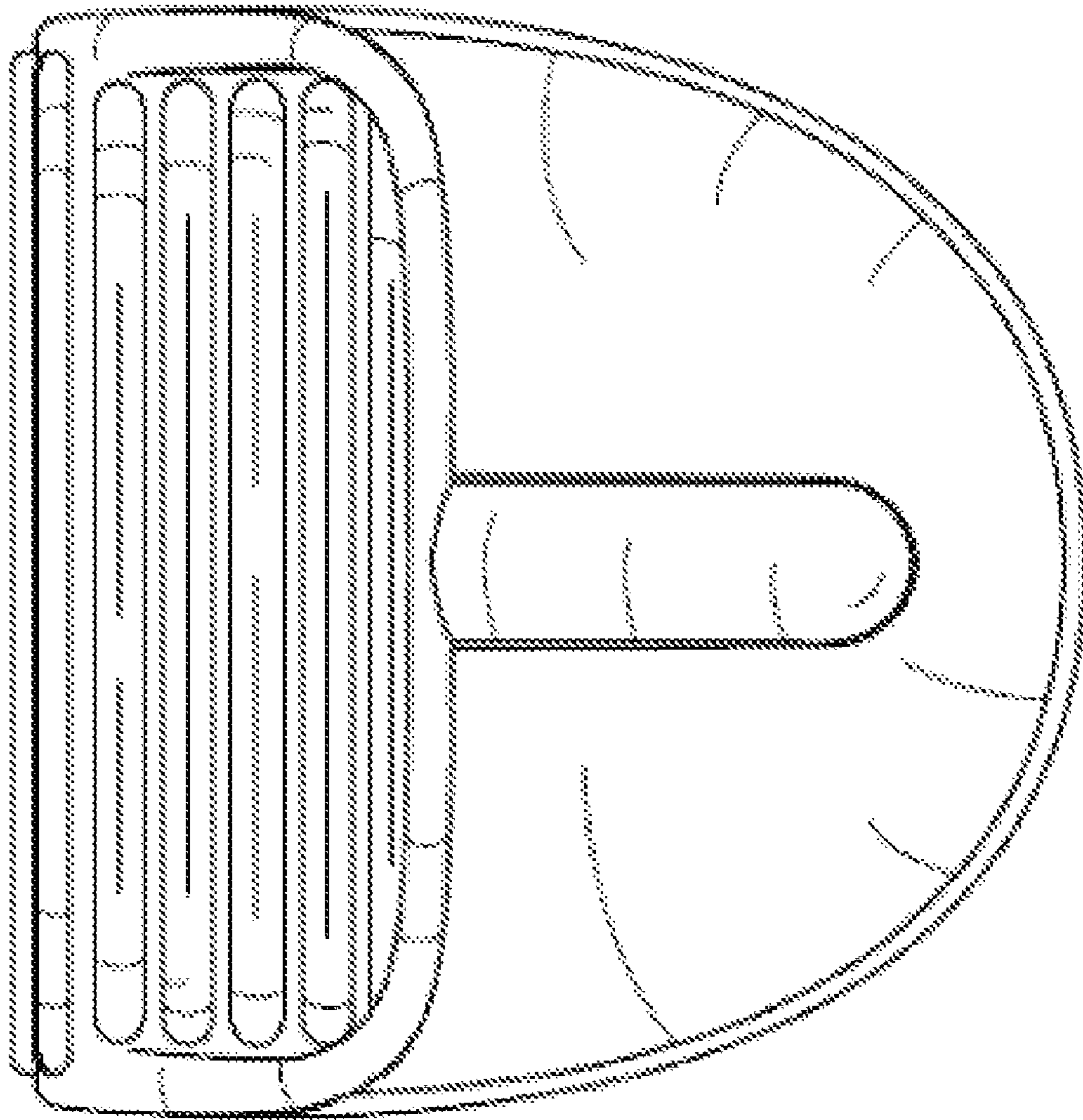
FIG. 1 is a perspective view of the pot holder;  
FIG. 2 is a bottom view of the pot holder shown in FIG. 1;  
FIG. 3 is a top view of the pot holder shown in FIG. 1;  
FIG. 4 is a side view of the pot holder shown in FIG. 1;  
FIG. 5 is a right end view of the pot holder shown in FIG. 4;  
and,  
FIG. 6 is a left end view of the pot holder shown in FIG. 4.

**1 Claim, 5 Drawing Sheets**



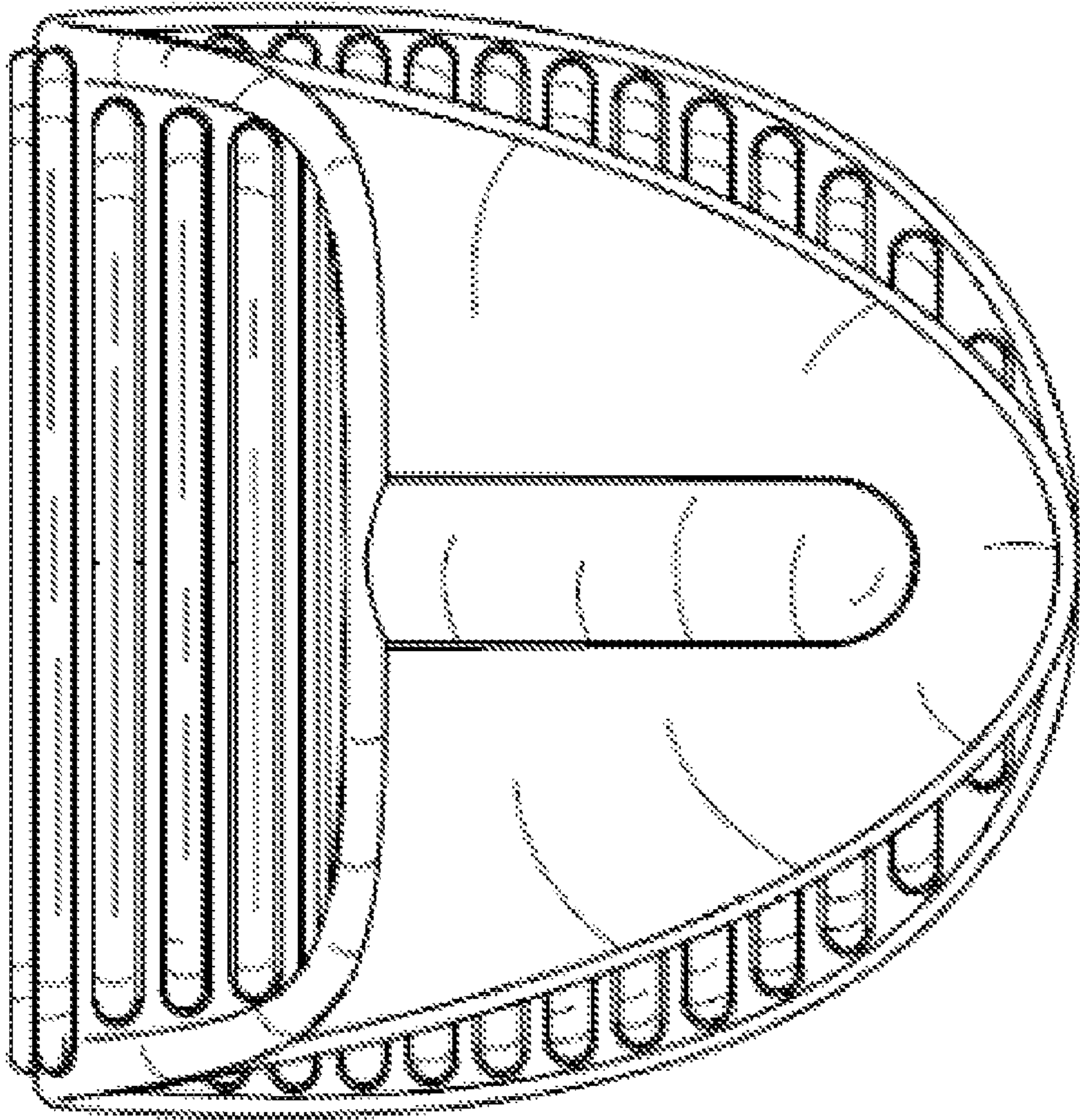


*Figure 1*

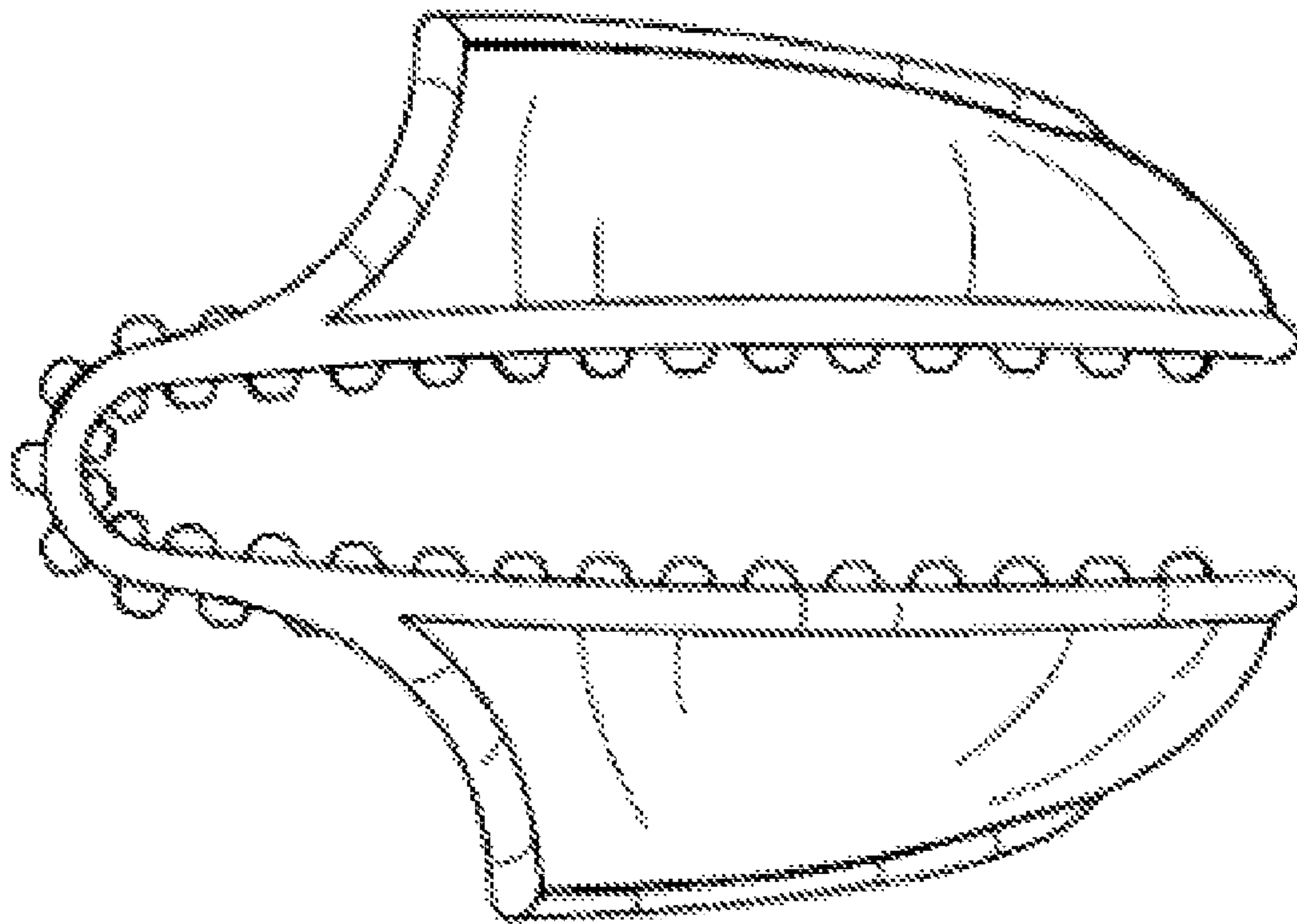


*Figure 2*

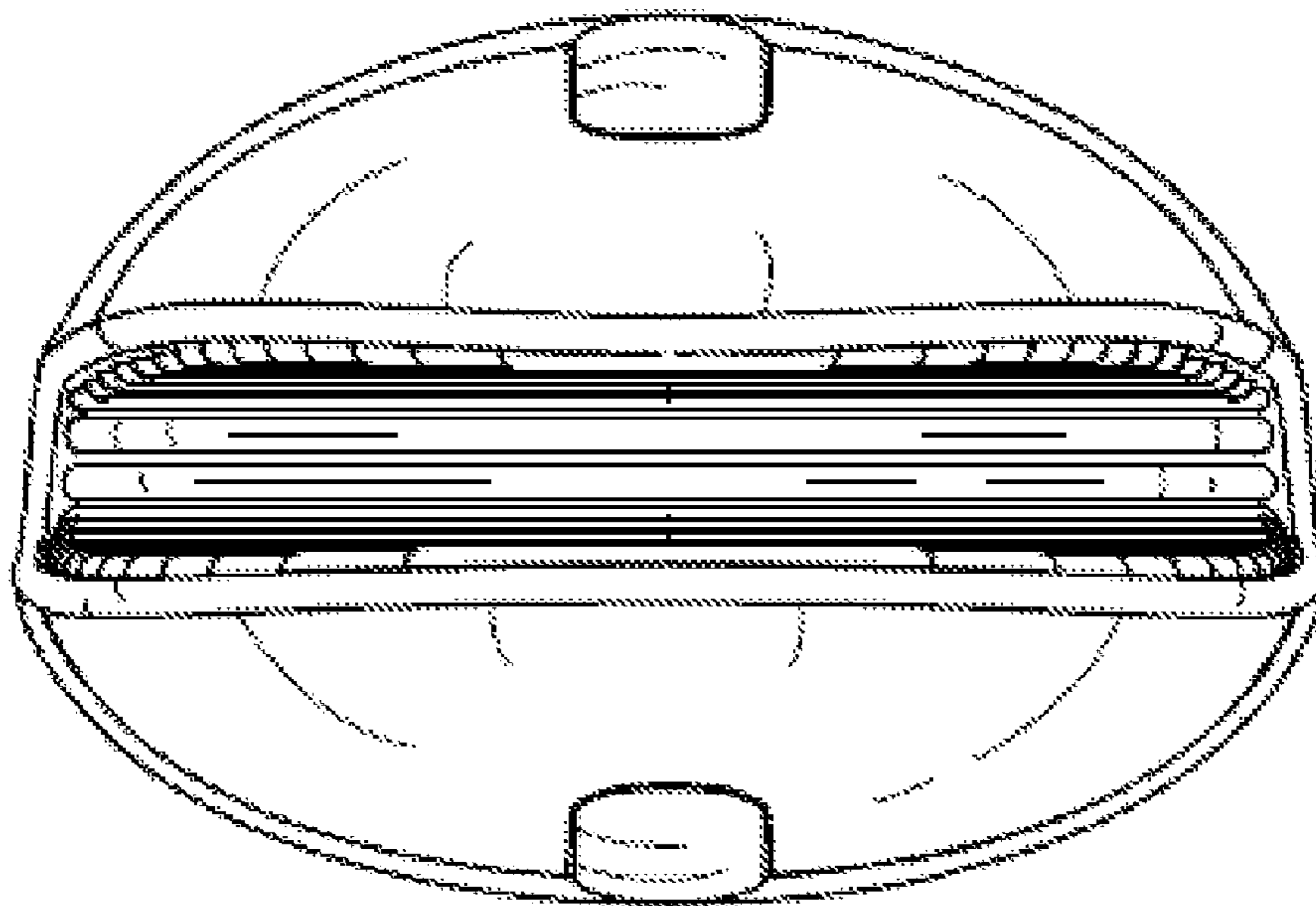




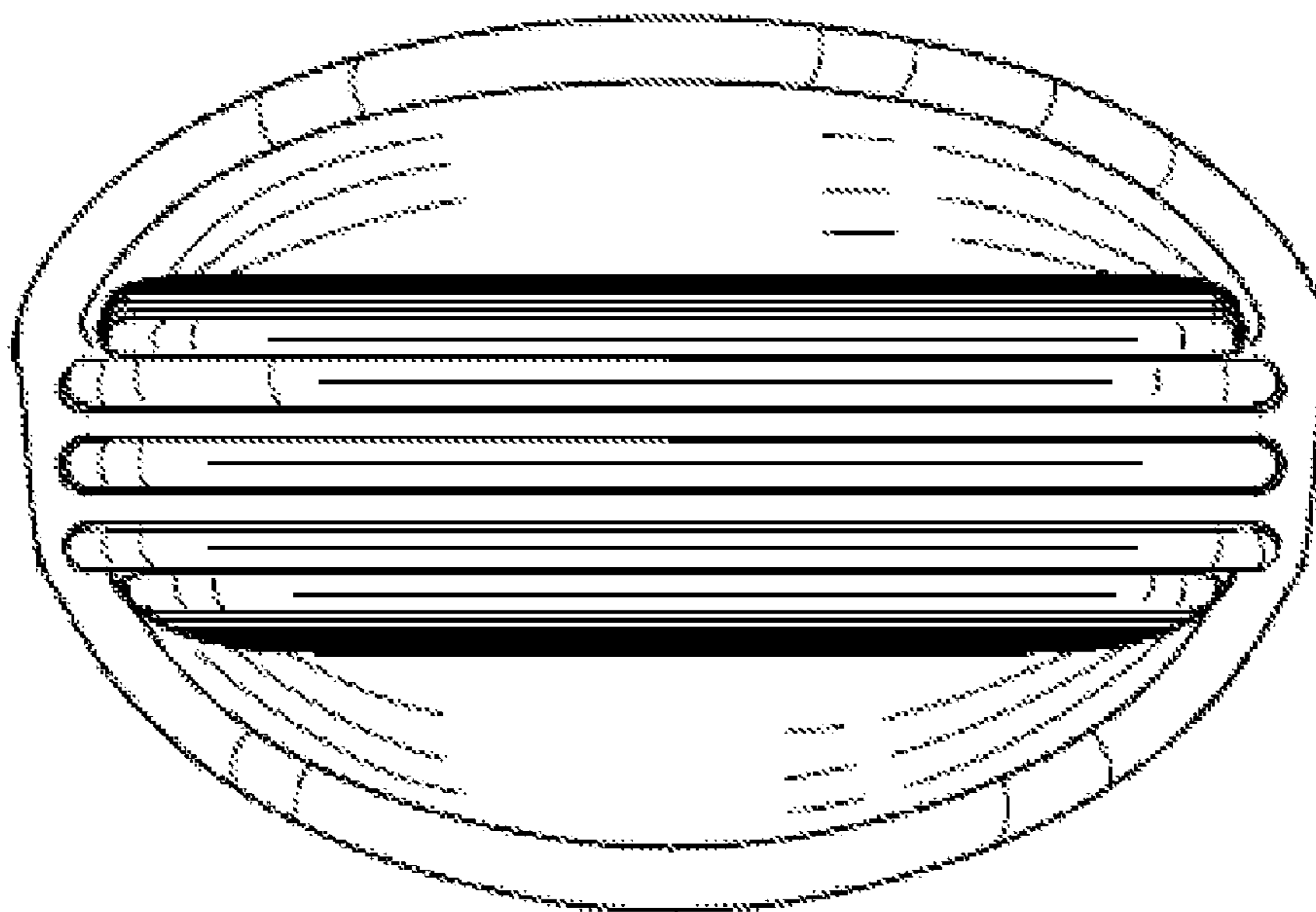
*Figure 3*



*Figure 4*



*Figure 5*



*Figure 6*