



US00D634891S

(12) **United States Design Patent**
Han

(10) **Patent No.:** **US D634,891 S**
(45) **Date of Patent:** **** Mar. 22, 2011**

(54) **SMOKING DEVICE**

Primary Examiner — Dominic Simone

(76) Inventor: **Jeffrey Han**, Los Altos Hills, CA (US)

(57) **CLAIM**
The ornamental design for a smoking device, as shown and described.

(**) Term: **14 Years**

(21) Appl. No.: **29/342,410**

DESCRIPTION

(22) Filed: **Aug. 24, 2009**

(51) **LOC (9) Cl.** **27-02**

(52) **U.S. Cl.** **D27/163**

(58) **Field of Classification Search** D27/105,
D27/163–169, 172, 194; 131/352, 329, 330,
131/178, 187, 270–273

See application file for complete search history.

FIGS. 1-2 are perspective views of the design according to the present invention;
FIG. 3 is an enlarged view of a portion of FIG. 1 showing the design of the glass bowl and hood plate;
FIG. 4 is a top plan view of the design according to the present invention;
FIG. 5 is a top plan view of the design according to the present invention;
FIG. 6 is a bottom plan view of the design according to the present invention;
FIG. 7 is a left side view of the design according to the present invention;
FIG. 8 is a right side view of the design according to the present invention;
FIG. 9 is a front view of the design according to the present invention; and,
FIG. 10 is a rear view of the design according to the present invention.
The lettering appearing on the views of FIGS. 1-9 are not part of the claimed design. Color is not part of the claimed design.

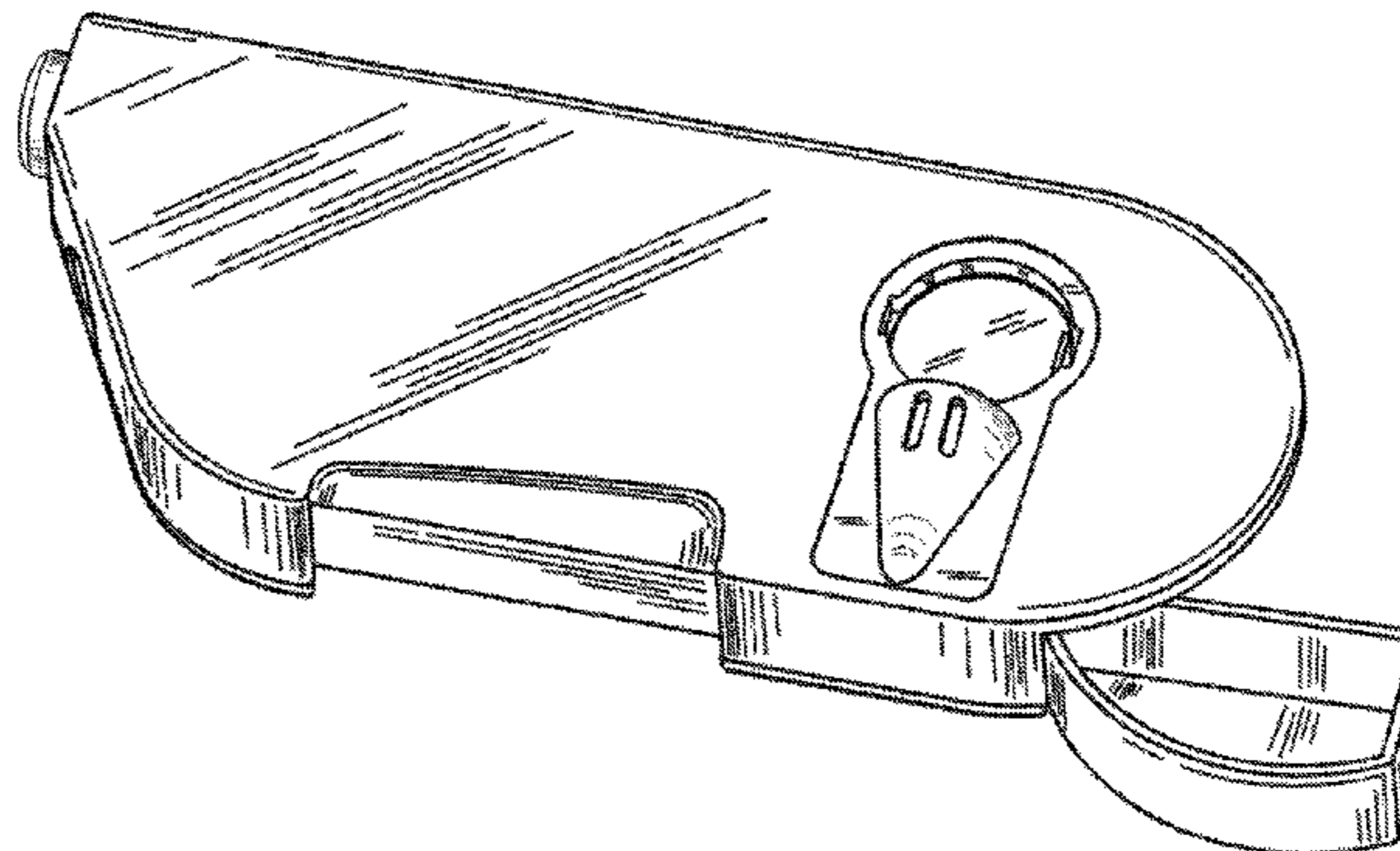
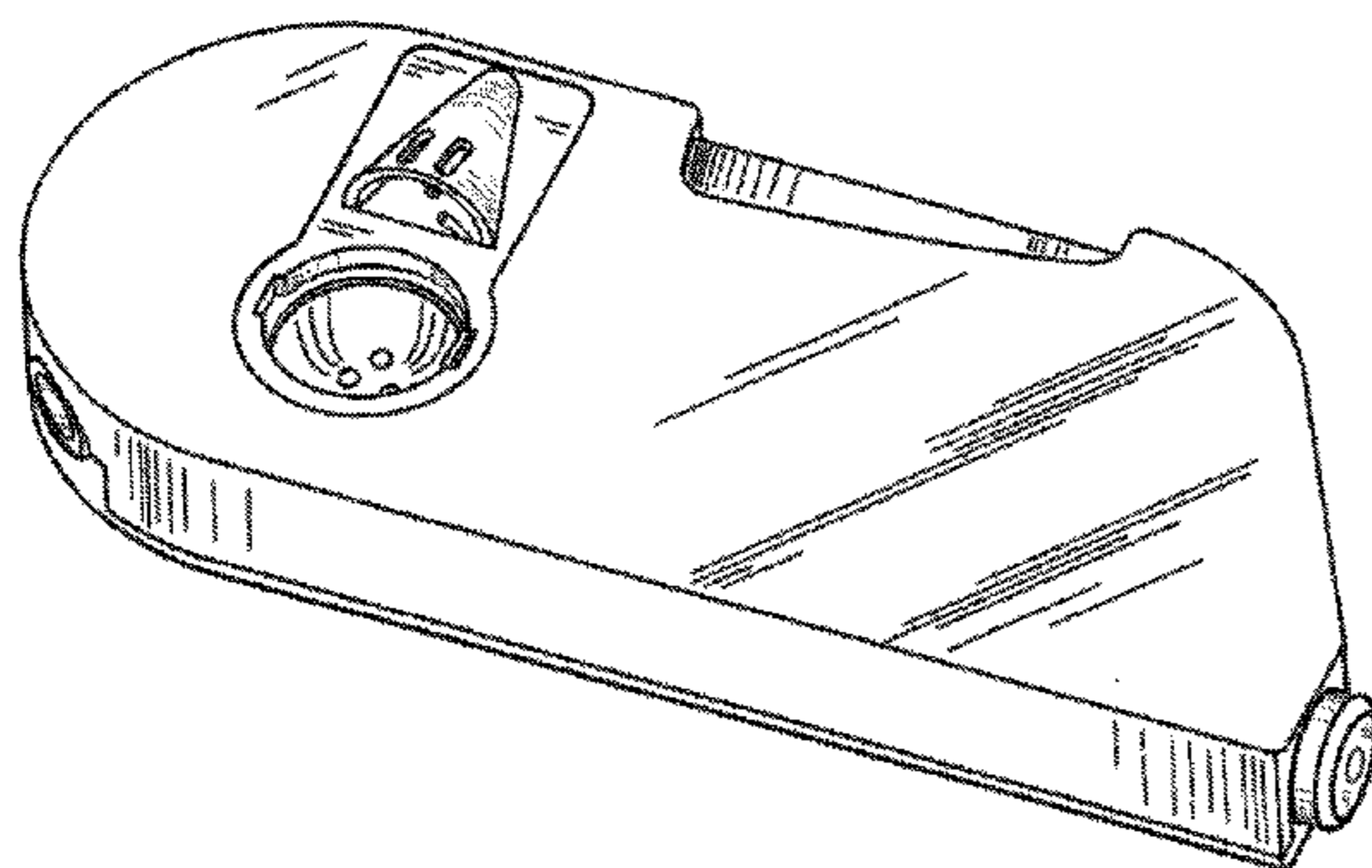
(56) **References Cited**

U.S. PATENT DOCUMENTS

D346,878	S	*	5/1994	Gee et al.	D27/194
D347,490	S	*	5/1994	Gee et al.	D27/194
5,495,859	A	*	3/1996	Bowen et al.	131/187
D399,600	S	*	10/1998	Bowen et al.	D27/194
5,988,176	A	*	11/1999	Baggett et al.	131/352
D424,236	S	*	5/2000	Reed	D27/163
D441,493	S	*	5/2001	Weiss et al.	D27/105
D484,639	S	*	12/2003	Fortner	D27/105
D577,150	S	*	9/2008	Bryman et al.	D27/163
D586,953	S	*	2/2009	Riggio	D27/172

* cited by examiner

1 Claim, 10 Drawing Sheets



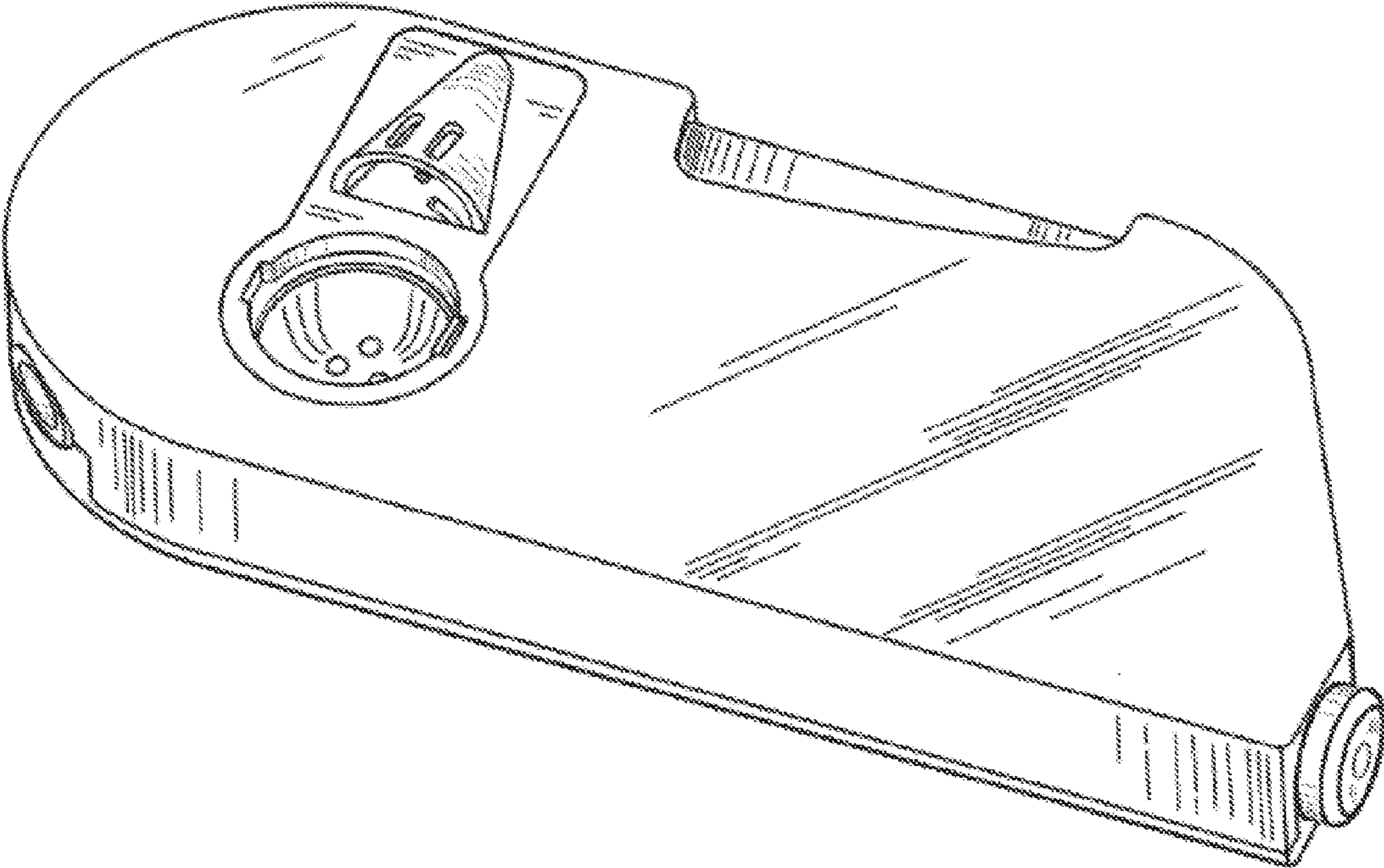


FIG. 1

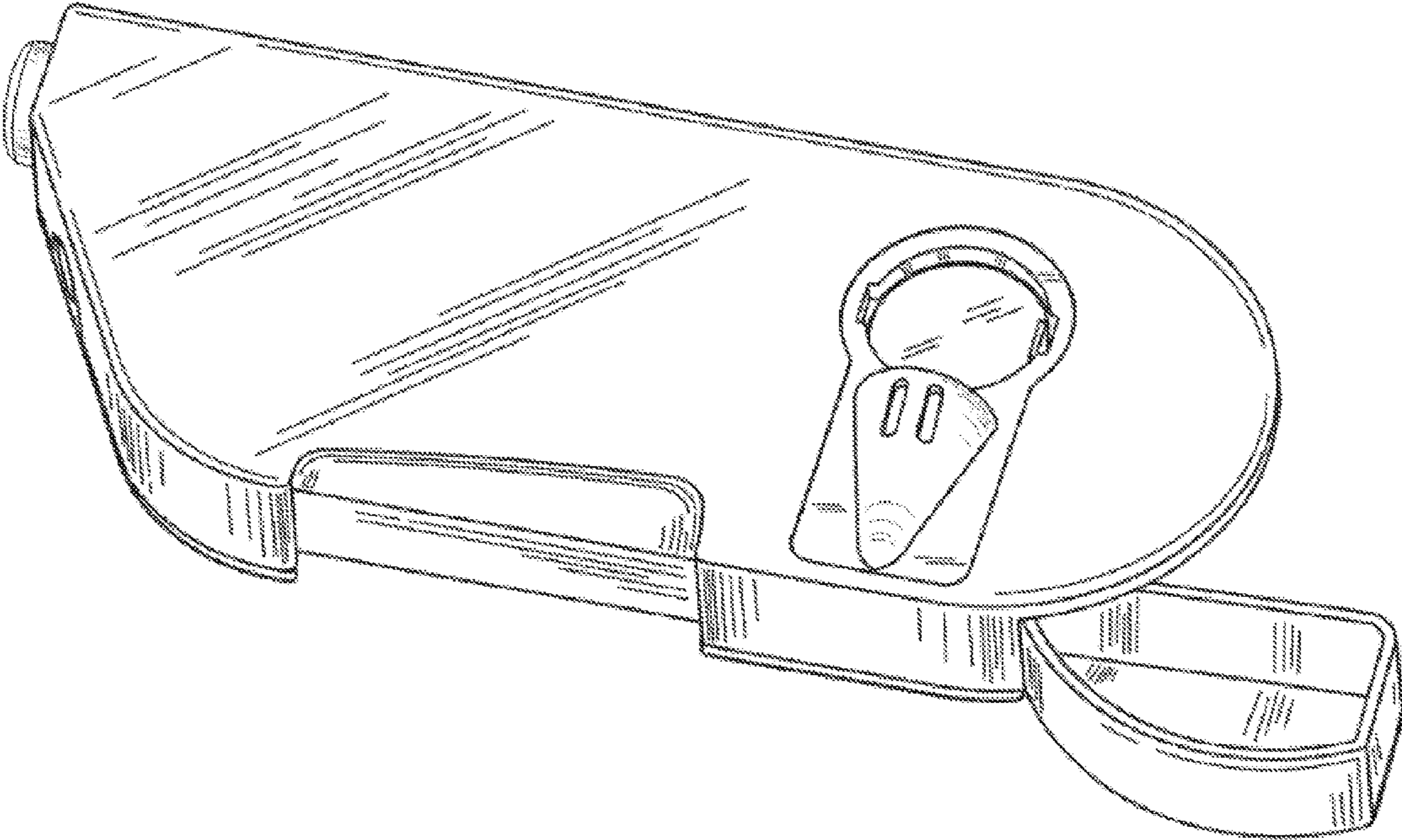


FIG.2

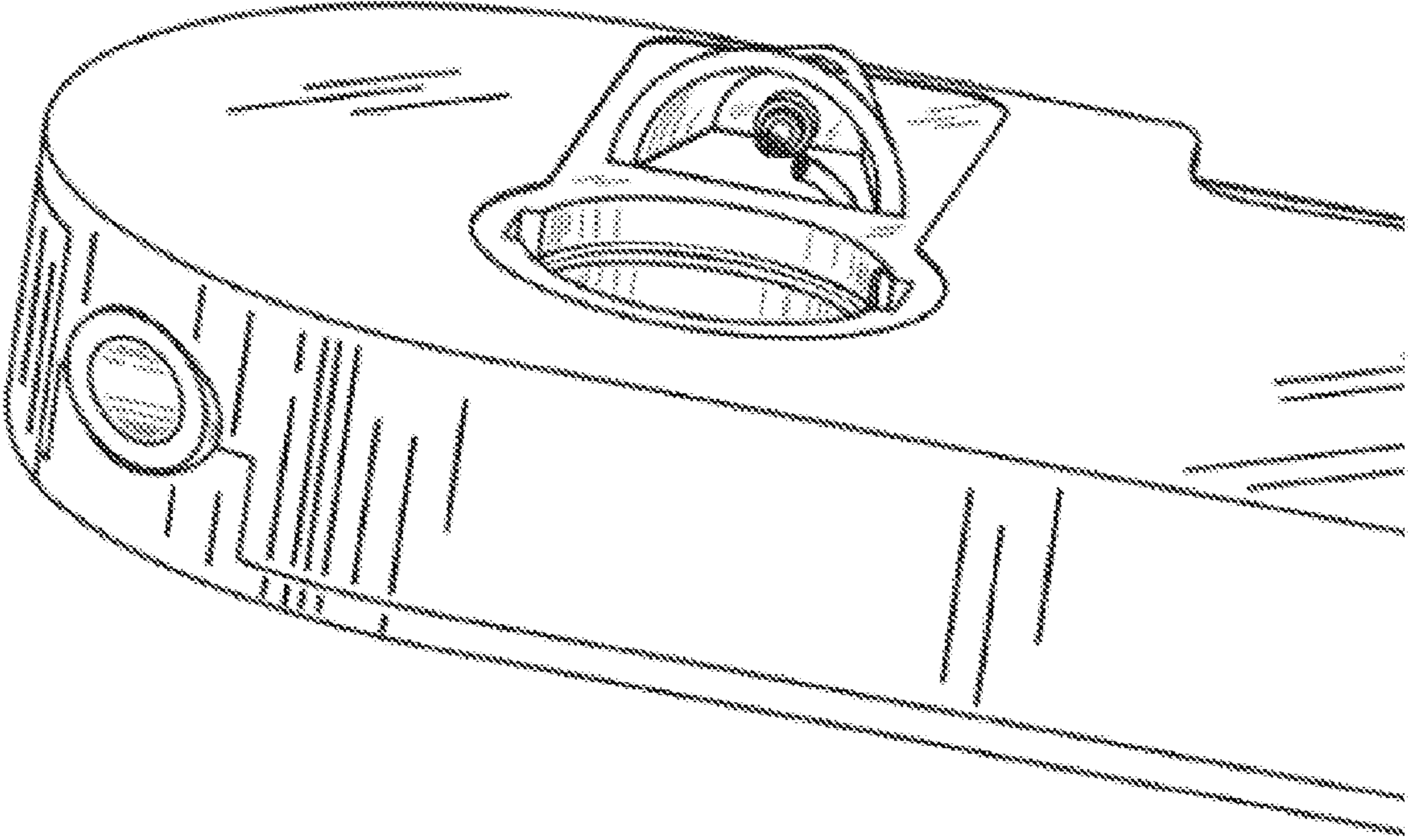


FIG. 3

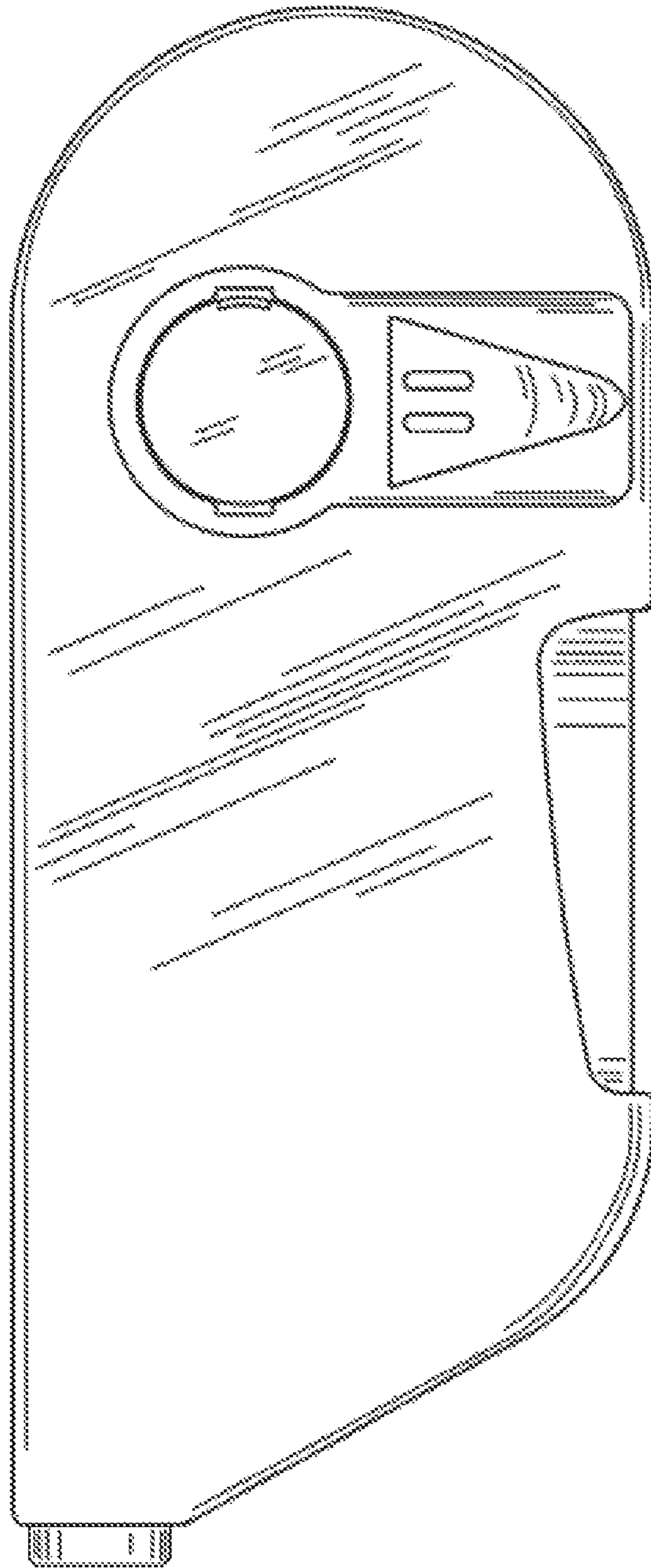


FIG. 4

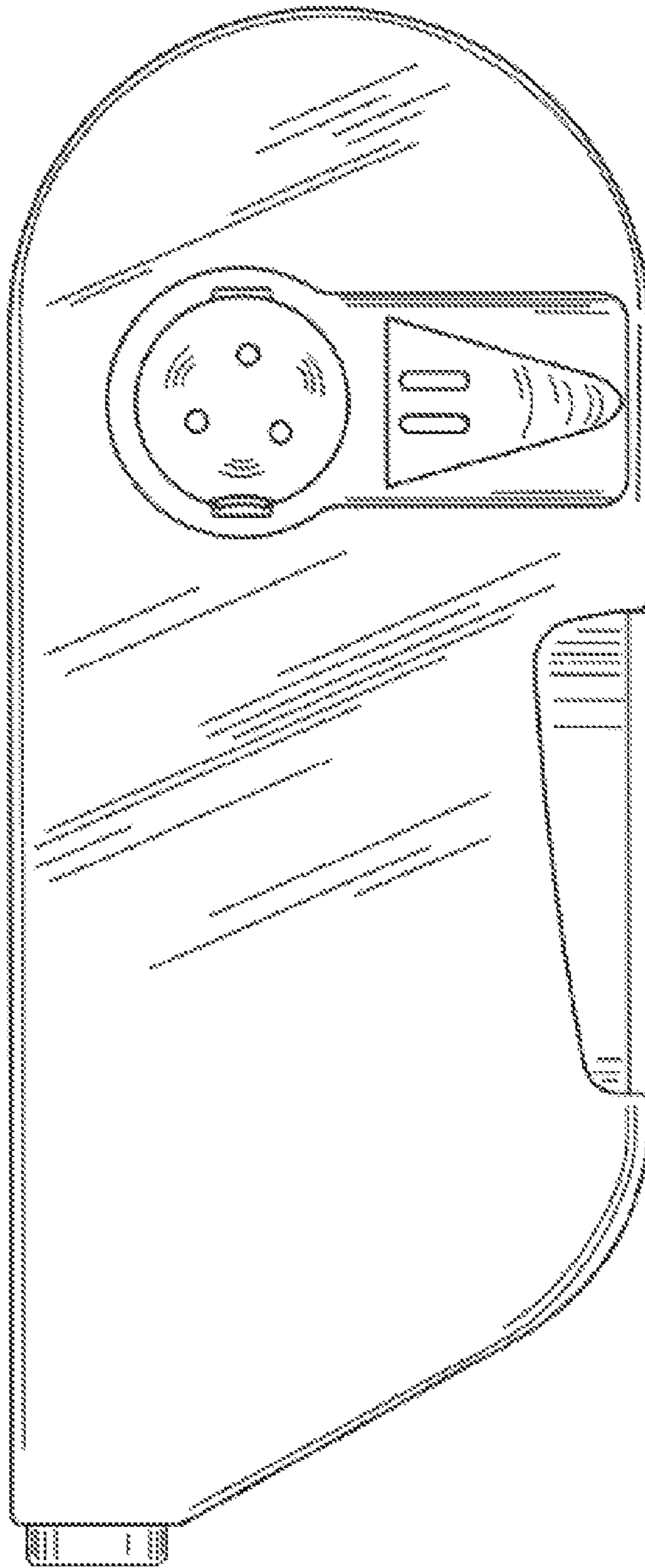


FIG. 5

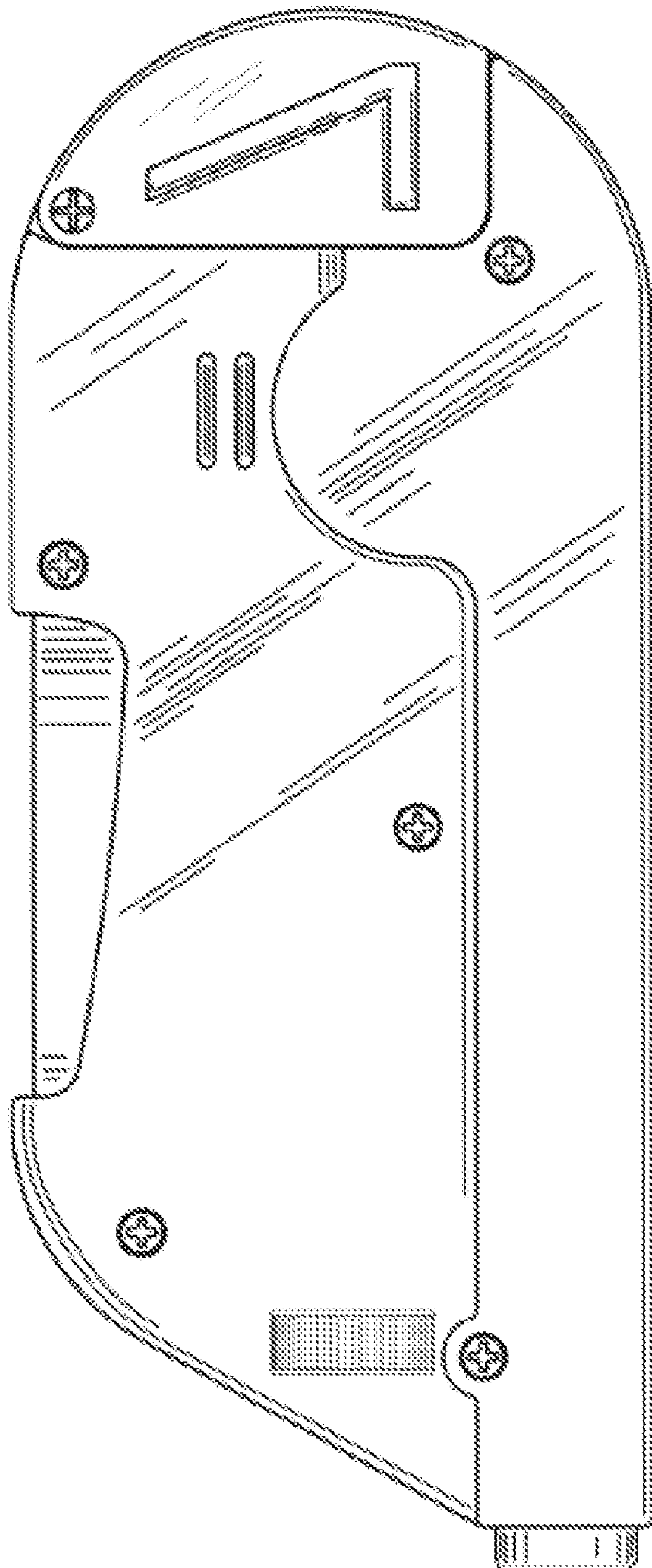


FIG. 6

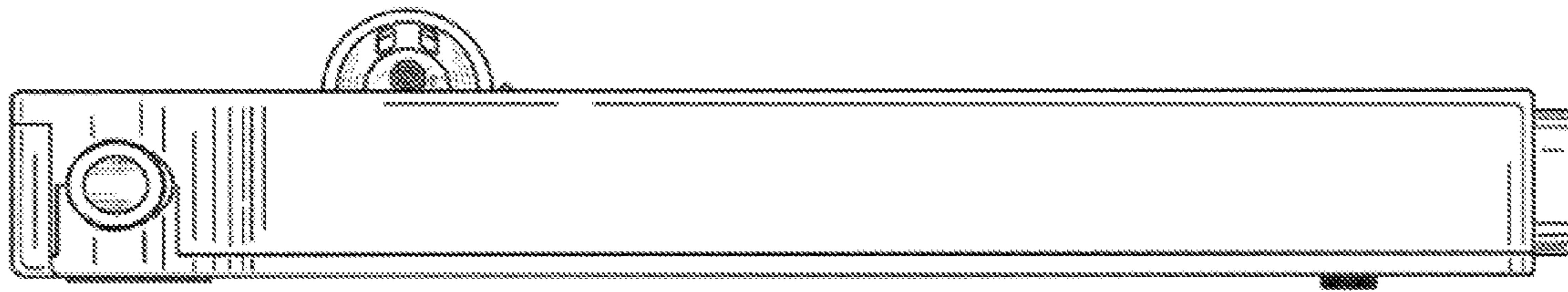


FIG. 7



FIG. 8

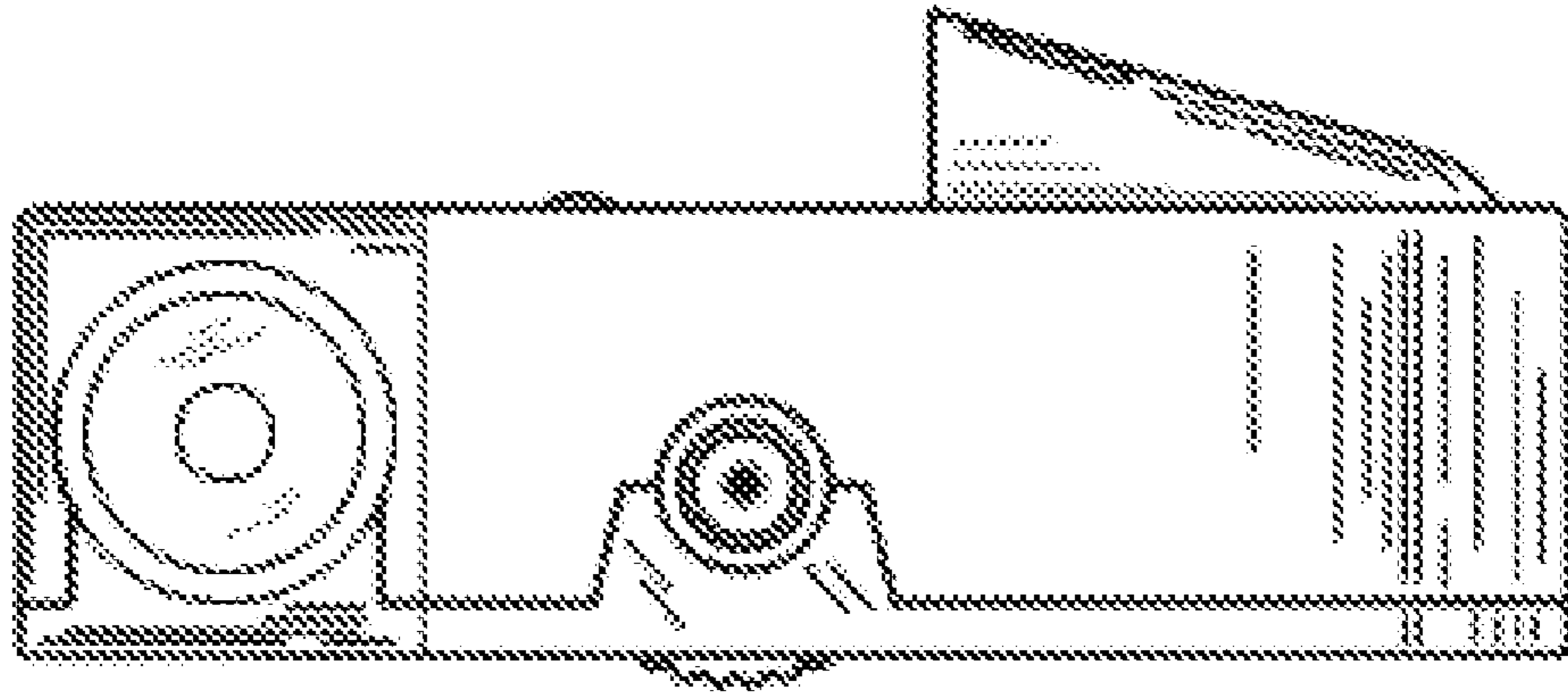


FIG. 9

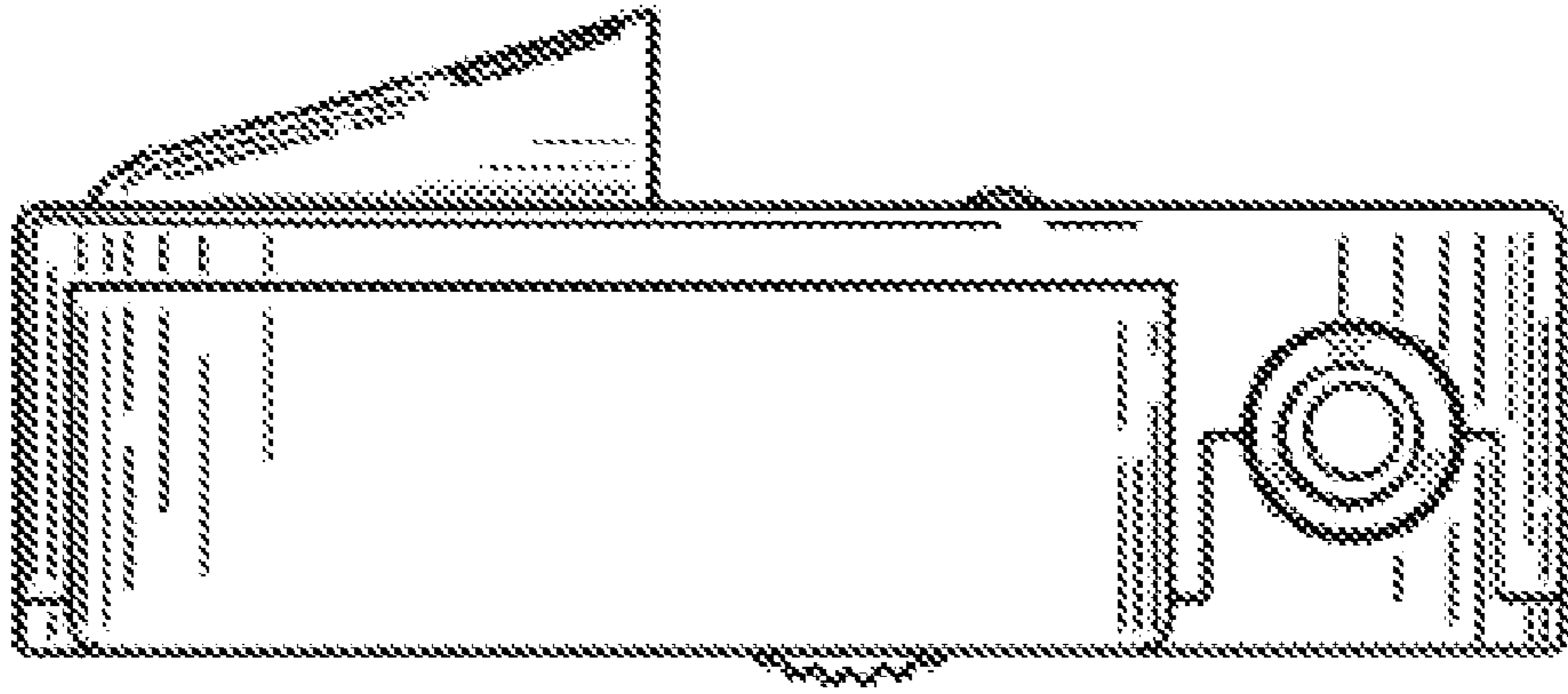


FIG. 10