



US00D634888S

(12) **United States Design Patent**
Silver

(10) **Patent No.:** **US D634,888 S**
(45) **Date of Patent:** **** Mar. 22, 2011**

(54) **LIGHT FIXTURE**

(75) Inventor: **Remy Silver**, Toronto (CA)

(73) Assignee: **Beta-Calco Inc.**, Ontario (CA)

(**) Term: **14 Years**

(21) Appl. No.: **29/333,625**

(22) Filed: **Mar. 12, 2009**

(30) **Foreign Application Priority Data**

Nov. 26, 2008 (CA) 128695

(51) **LOC (9) Cl.** **26-99**

(52) **U.S. Cl.** **D26/152**

(58) **Field of Classification Search** D13/134;
D26/109, 65, 141, 63, 123, 142, 118, 76,
D26/85, 60, 61, 62, 64, 66, 72, 93, 103, 113,
D26/119, 122, 124, 87, 128, 129, 138, 140,
D26/145, 155, 74; 362/511, 373, 606, 607,
362/277, 282, 285, 287, 410

See application file for complete search history.

(56) **References Cited**

U.S. PATENT DOCUMENTS

D410,679	S *	6/1999	Blanchard et al.	D19/34
D441,079	S *	4/2001	Tipp	D24/147
7,441,621	B2 *	10/2008	Motte Dit Falisse	180/205
2002/0012826	A1 *	1/2002	Sohmer	429/34
2002/0028363	A1 *	3/2002	Boneberg et al.	429/17
2004/0173393	A1 *	9/2004	Man et al.	180/65.2
2004/0229105	A1 *	11/2004	Miura	429/38
2008/0309065	A1 *	12/2008	Ali et al.	283/75
2009/0173212	A1 *	7/2009	Wold	84/483.2

OTHER PUBLICATIONS

Thimble, www.thimble.ca/?p=2, 4 pp., Oct. 28, 2004.*

* cited by examiner

Primary Examiner — Cathron C Brooks

Assistant Examiner — Kevin K Rudzinski

(74) *Attorney, Agent, or Firm* — Renner, Otto, Boisselle & Sklar, LLP

(57) **CLAIM**

The ornamental design for a light fixture, as shown and described.

DESCRIPTION

FIG. 1 is a perspective view of the light fixture according to my new design.

FIG. 2 is a front view of the light fixture shown in FIG. 1.

FIG. 3 is a side view of the light fixture shown in FIG. 1.

FIG. 4 is a bottom view of the light fixture shown in FIG. 1.

FIG. 5 is a perspective view of the light fixture showing a variant of my new design.

FIG. 6 is a front view of the light fixture shown in FIG. 5.

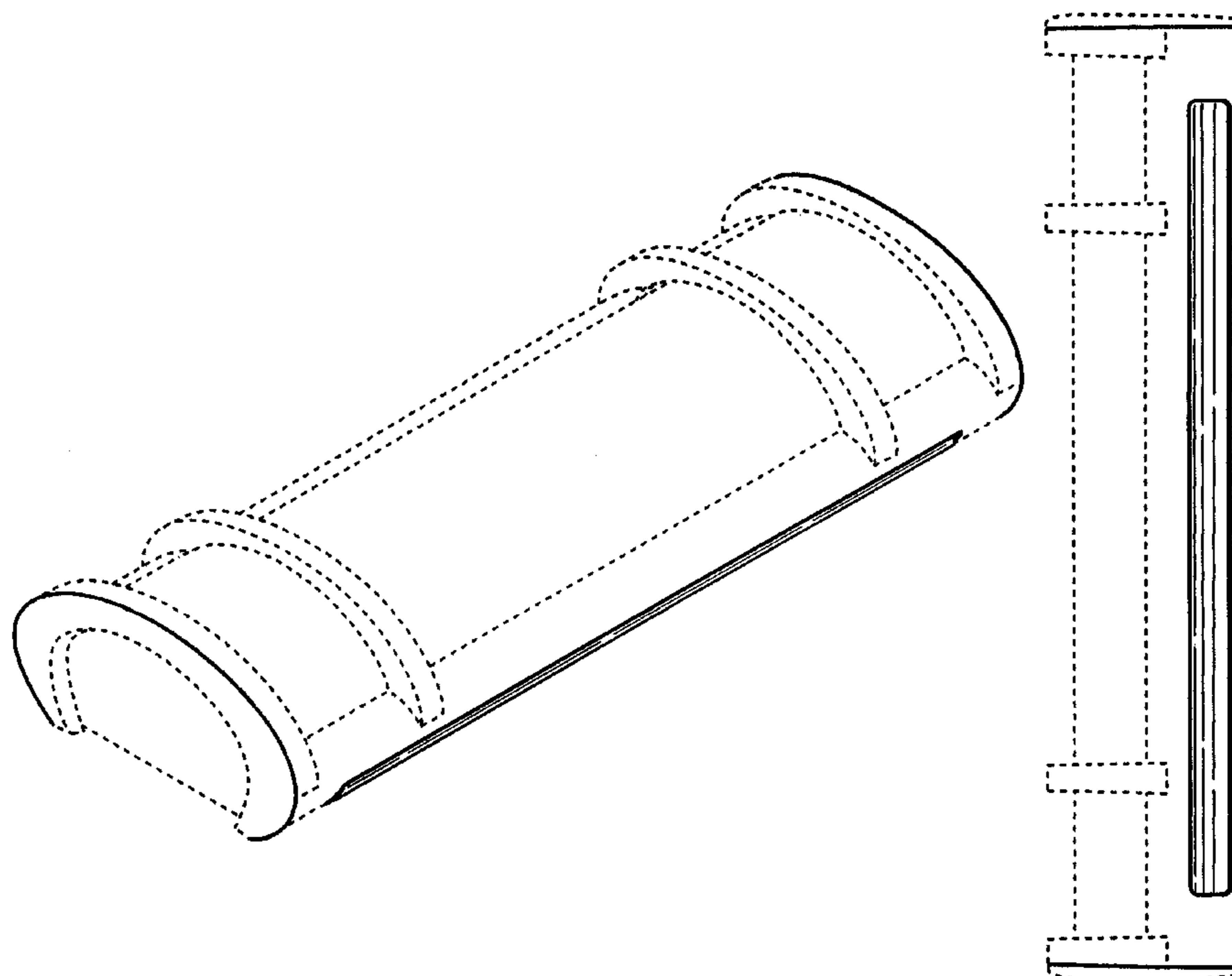
FIG. 7 is a side view of the light fixture shown in FIG. 5; and,

FIG. 8 is a bottom view of the light fixture shown in FIG. 5.

The broken lines shown are included for the purpose of illustrating environmental structure and form no part of the claimed design.

The solid line shaded areas represent claimed portions of the light fixture, while the solid lines represent claimed edges.

1 Claim, 5 Drawing Sheets



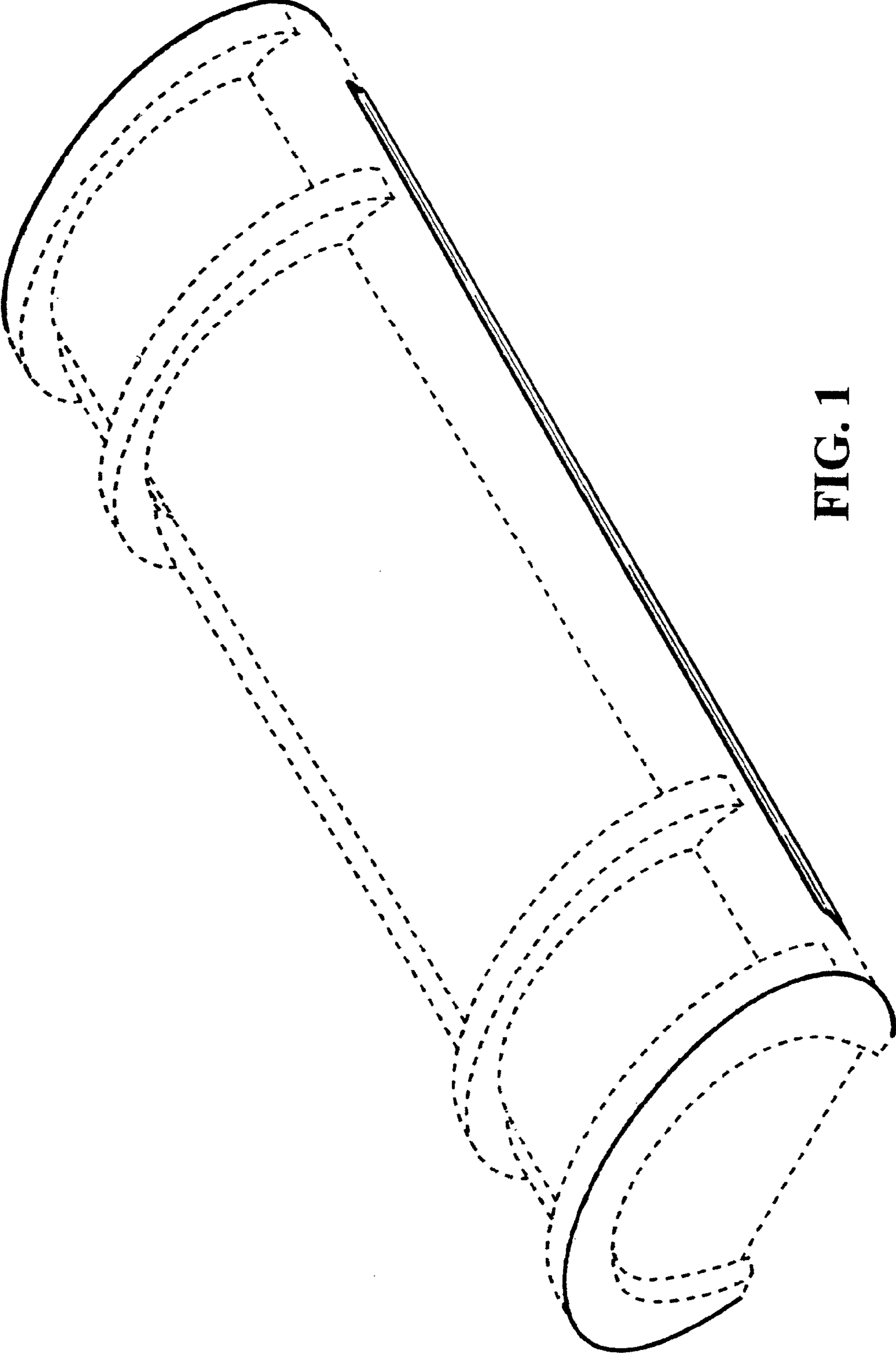


FIG. 1

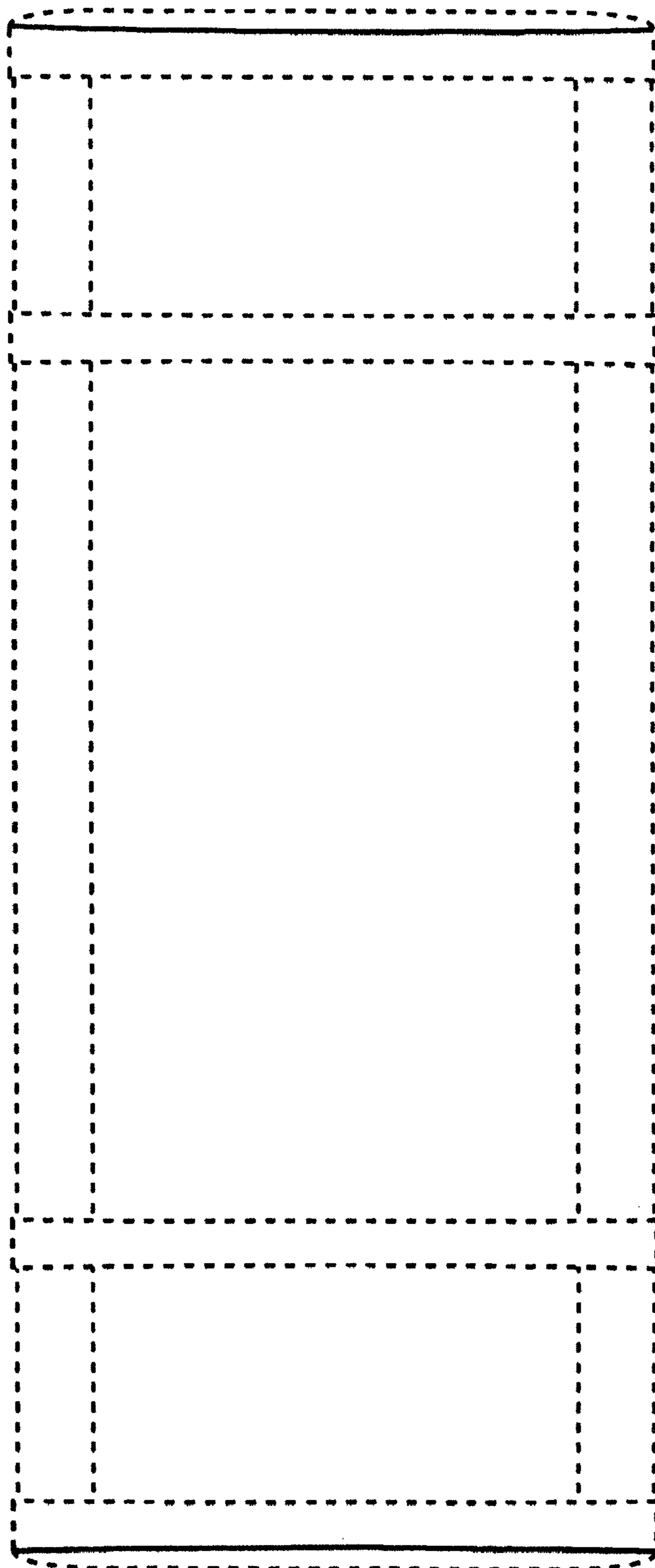


FIG. 2

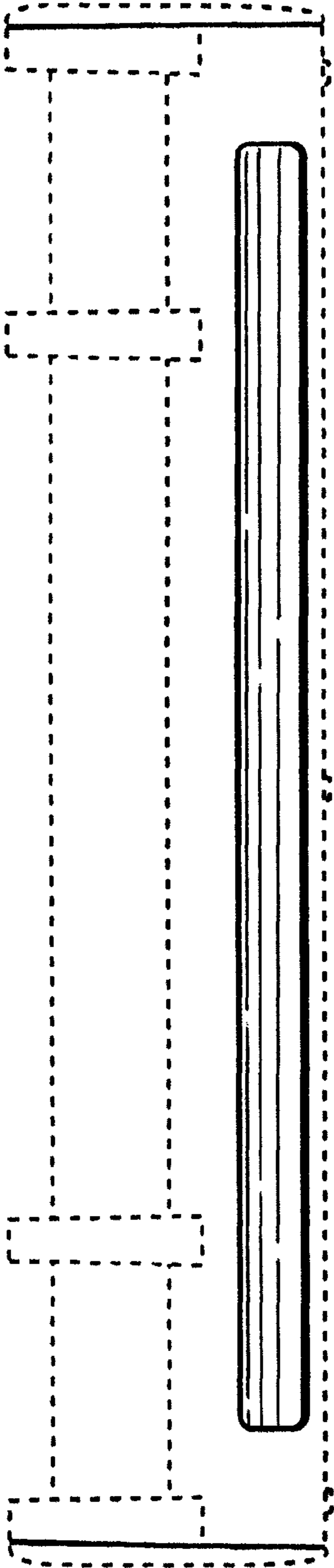


FIG. 3

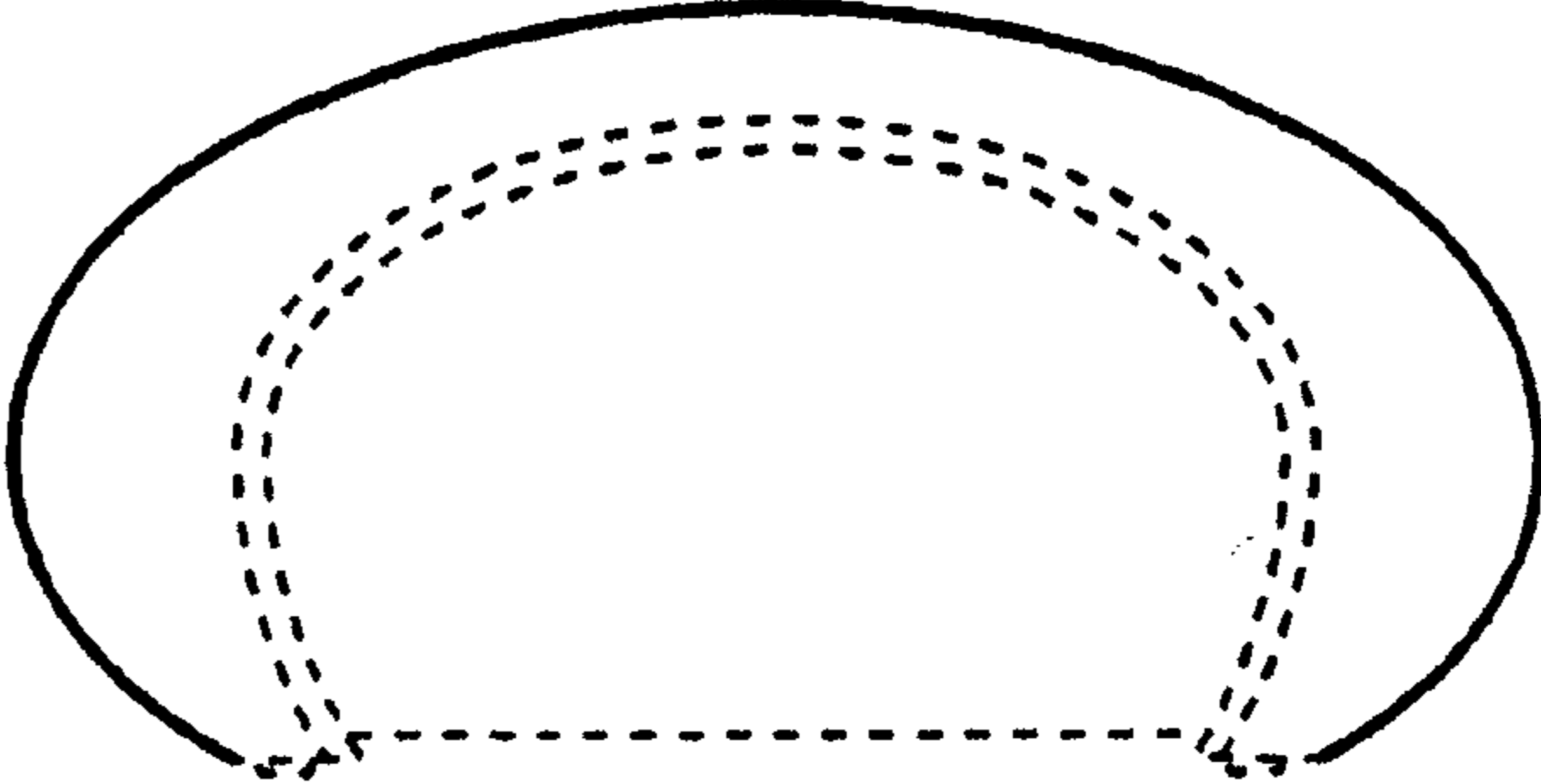


FIG. 4

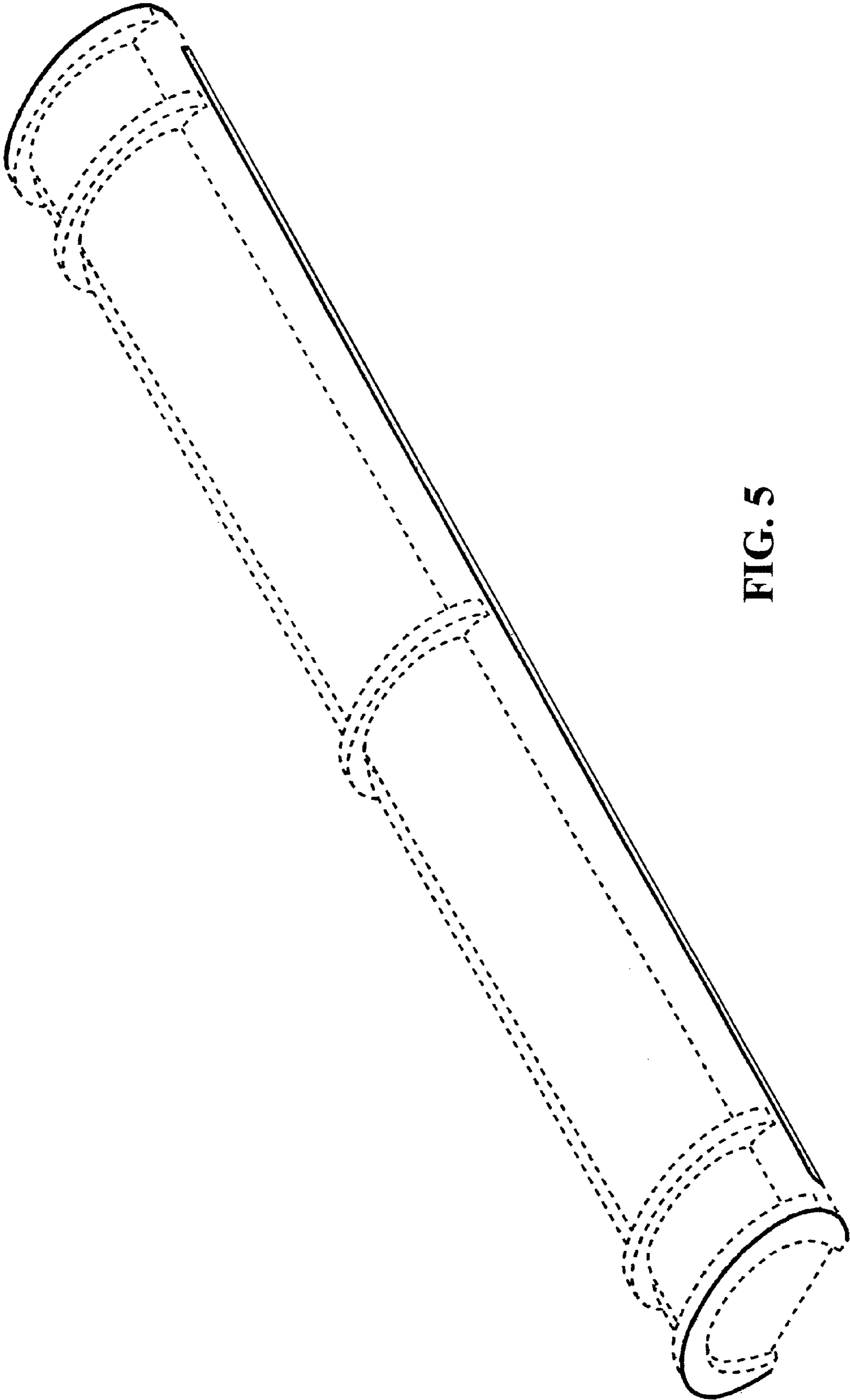


FIG. 5

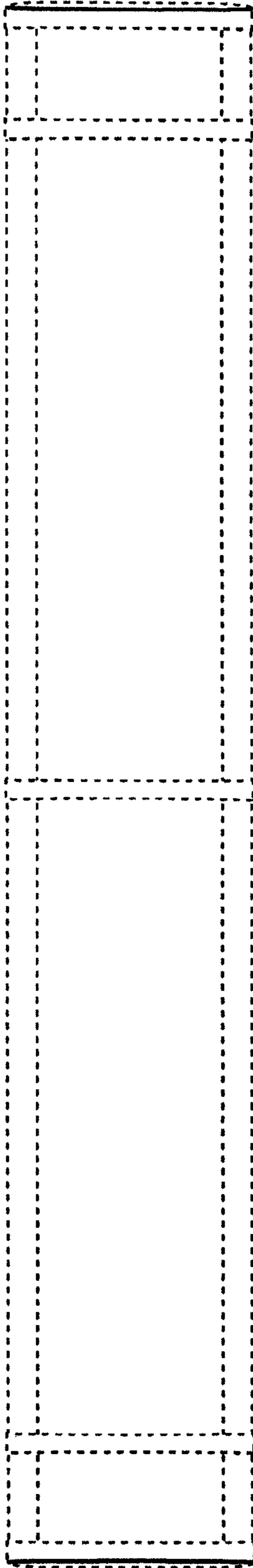


FIG. 6

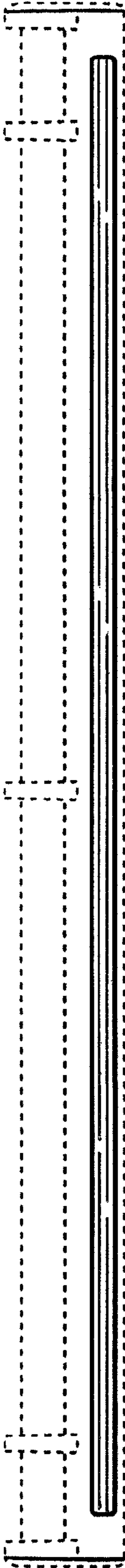


FIG. 7

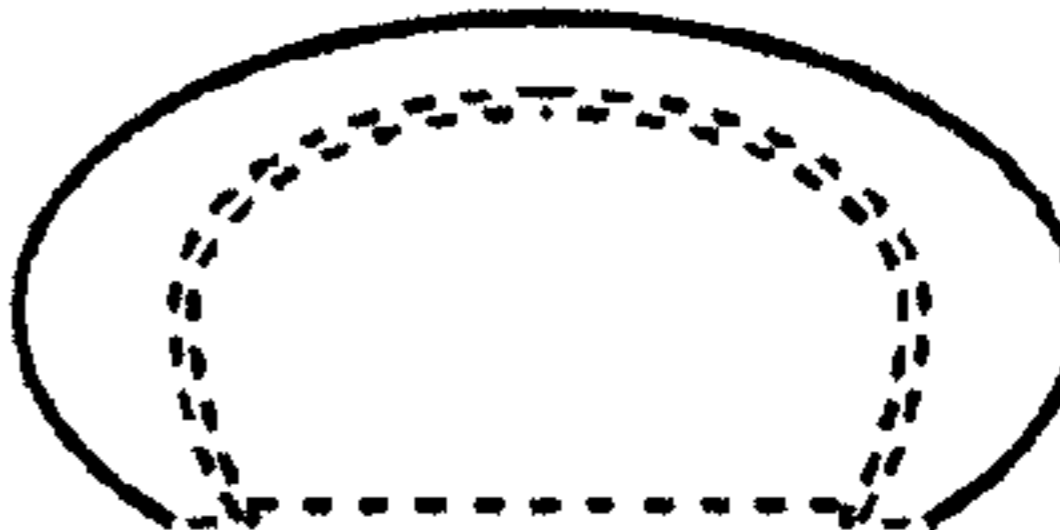


FIG. 8