

US00D634886S

(12) **United States Design Patent**
Kim

(10) **Patent No.:** **US D634,886 S**
(45) **Date of Patent:** **** Mar. 22, 2011**

(54) **LED LIGHTING MODULE**

(75) Inventor: **Eunhwa Kim**, Uiwang (KR)

(73) Assignee: **LG Innotek Co., Ltd.**, Seoul (KR)

(**) Term: **14 Years**

(21) Appl. No.: **29/362,539**

(22) Filed: **May 27, 2010**

(30) **Foreign Application Priority Data**

Nov. 27, 2009 (KR) 30-2009-0052461

(51) **LOC (9) Cl.** **26-99**

(52) **U.S. Cl.** **D26/138**

(58) **Field of Classification Search** D26/2,
D26/118, 120, 129, 138, 63, 65, 128, 154,
D26/119, 28, 155, 142, 121, 122, 152, 123,
D26/124, 153, 130, 141, 92, 87, 93, 85, 145;
D11/89, 90, 91, 92; 273/153 S, 160; 362/223,
362/544, 240, 545; D9/529; D21/478, 479;
D34/1; D7/509, 586; D13/134, 179, 180

See application file for complete search history.

(56) **References Cited**

U.S. PATENT DOCUMENTS

D107,554 S * 12/1937 Sibbert D26/121
D246,677 S * 12/1977 Nigg D26/65
D297,672 S * 9/1988 Skegin D26/63
4,985,815 A * 1/1991 Endo 362/294
5,398,177 A * 3/1995 Harwood 362/270
D361,146 S * 8/1995 Jandrisits et al. D26/63
D388,525 S * 12/1997 Lowell et al. D26/63
D416,349 S * 11/1999 Pahl D26/118
D417,307 S * 11/1999 Pahl D26/118
D442,717 S * 5/2001 Binsukor D26/63
D459,823 S * 7/2002 Kolbe D26/63
6,609,816 B2 * 8/2003 Ansari et al. 362/294

6,641,295 B1 * 11/2003 Hu 362/545
6,756,905 B2 * 6/2004 Rattman et al. 340/630
D510,151 S * 9/2005 Rashidi D26/74
7,217,022 B2 * 5/2007 Ruffin 362/554
D562,492 S * 2/2008 Chen D26/85
7,357,537 B2 * 4/2008 Masuoka et al. 362/346
7,588,359 B2 * 9/2009 Coushaine et al. 362/555
D606,690 S * 12/2009 Orrom et al. D26/61
D613,440 S * 4/2010 Lindholm D26/63
2004/0057251 A1 * 3/2004 Isaacson et al. 362/555
2004/0066142 A1 * 4/2004 Stimac et al. 315/50
2006/0067086 A1 * 3/2006 Hsu 362/544
2006/0291206 A1 * 12/2006 Angelini et al. 362/244
2008/0130308 A1 * 6/2008 Behr et al. 362/507
2010/0127282 A1 * 5/2010 Harbers et al. 257/89

* cited by examiner

Primary Examiner — Cathron C Brooks

Assistant Examiner — Kevin K Rudzinski

(74) *Attorney, Agent, or Firm* — Park, Kim & Suh, LLC

(57) **CLAIM**

The ornamental design for an LED lighting module, as shown and described.

DESCRIPTION

FIG. 1 is a perspective view of an LED lighting module showing my new design;

FIG. 2 is a front view thereof;

FIG. 3 is a rear view thereof;

FIG. 4 is a left side view thereof;

FIG. 5 is a right side view thereof;

FIG. 6 is a top plan view thereof; and,

FIG. 7 is a bottom plan view thereof.

The broken lines shown in the figures are for the purpose of illustrating environmental structure and unclaimed portions of the LED lighting module, and form no part of the claimed design.

1 Claim, 7 Drawing Sheets

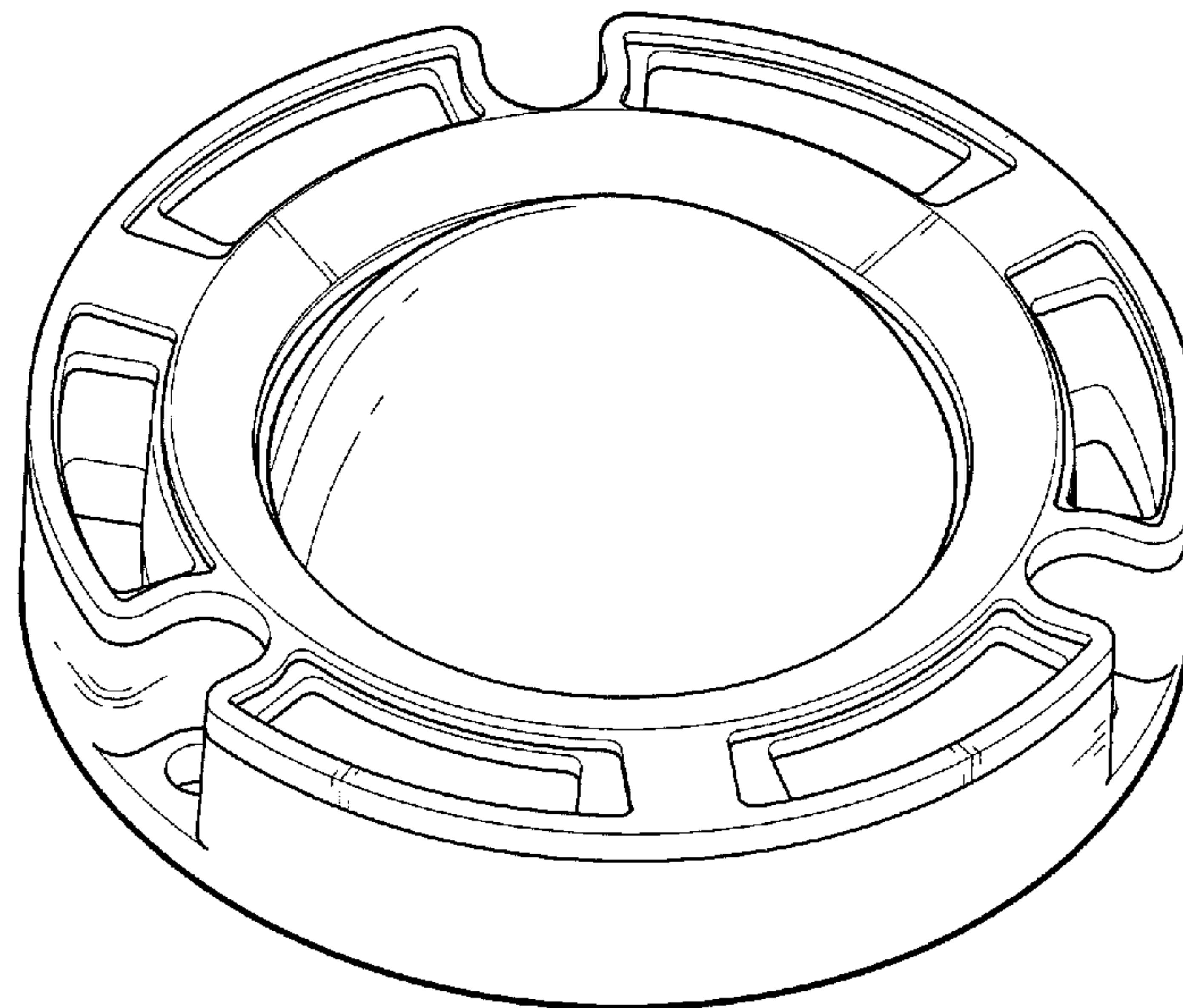


FIG. 1

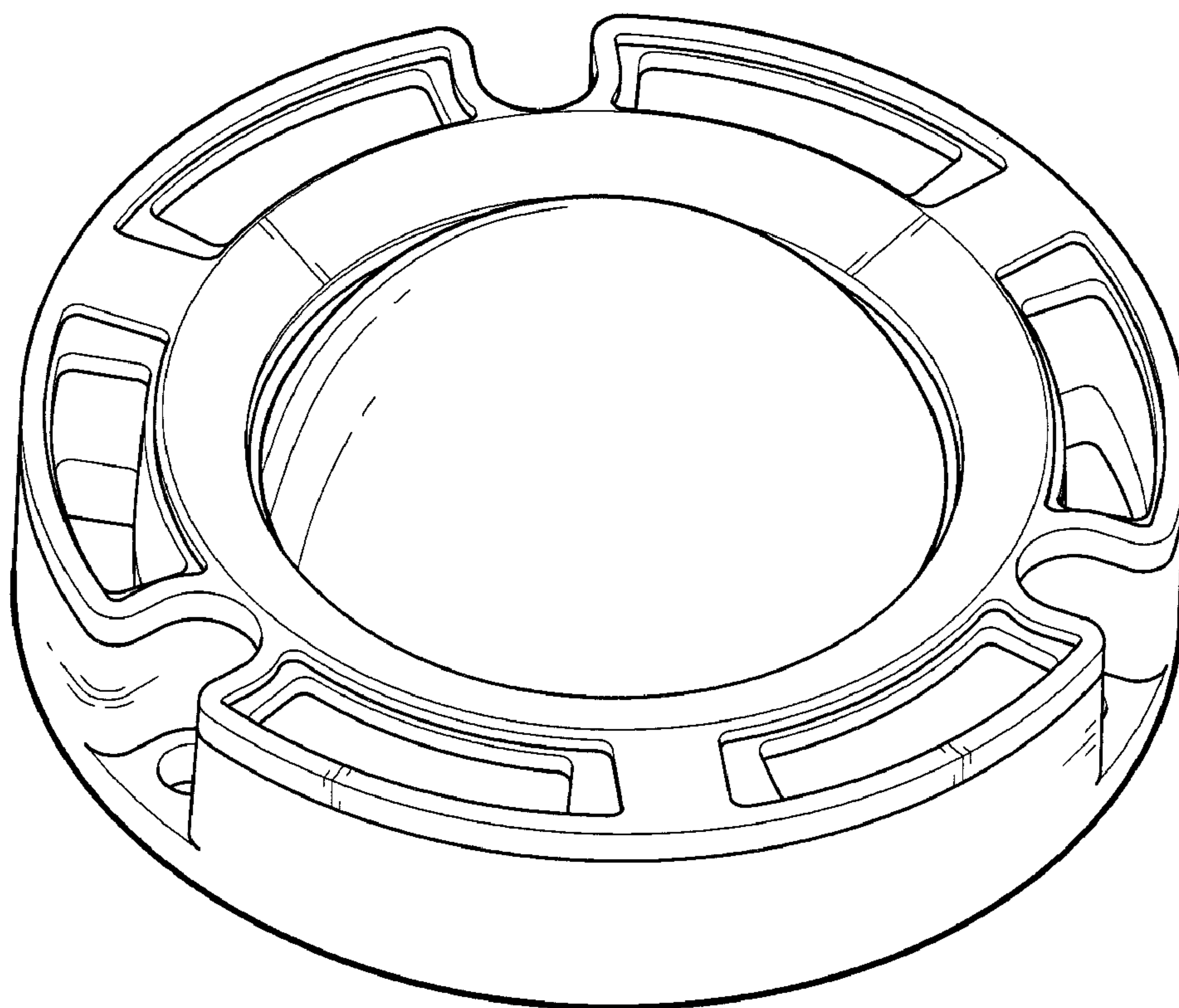


FIG. 2

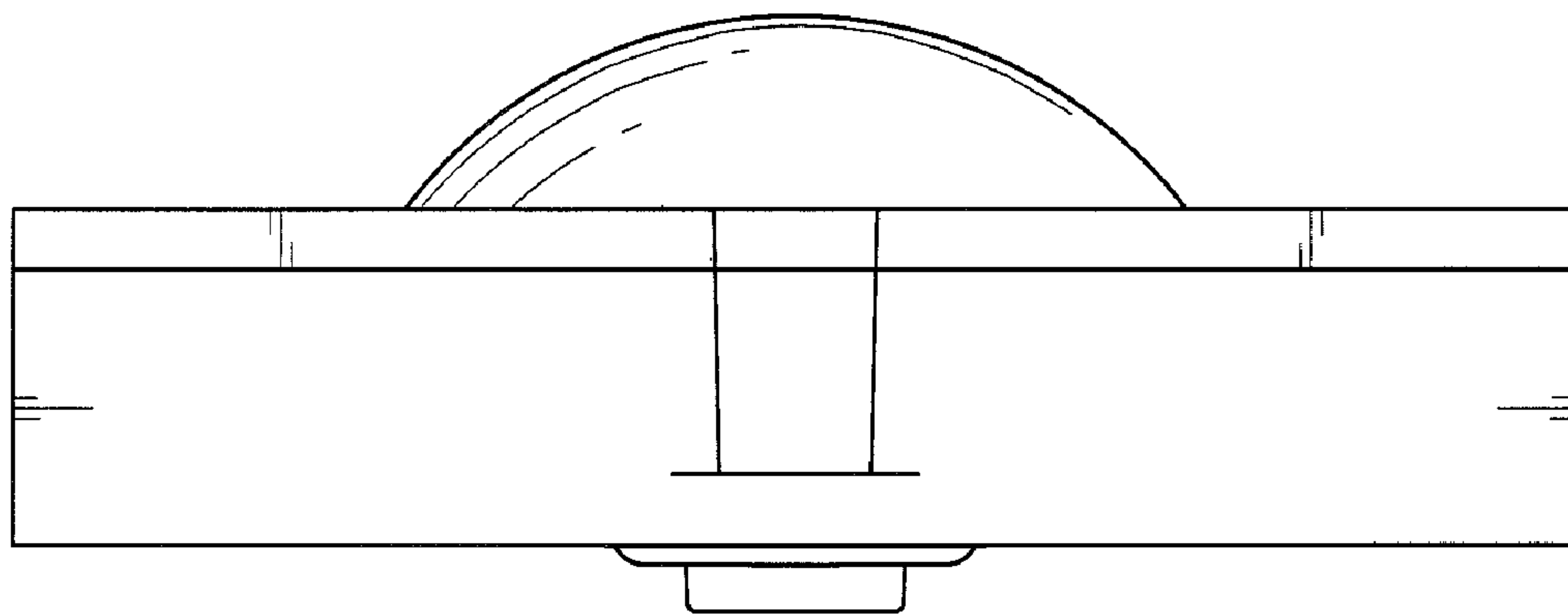


FIG. 3

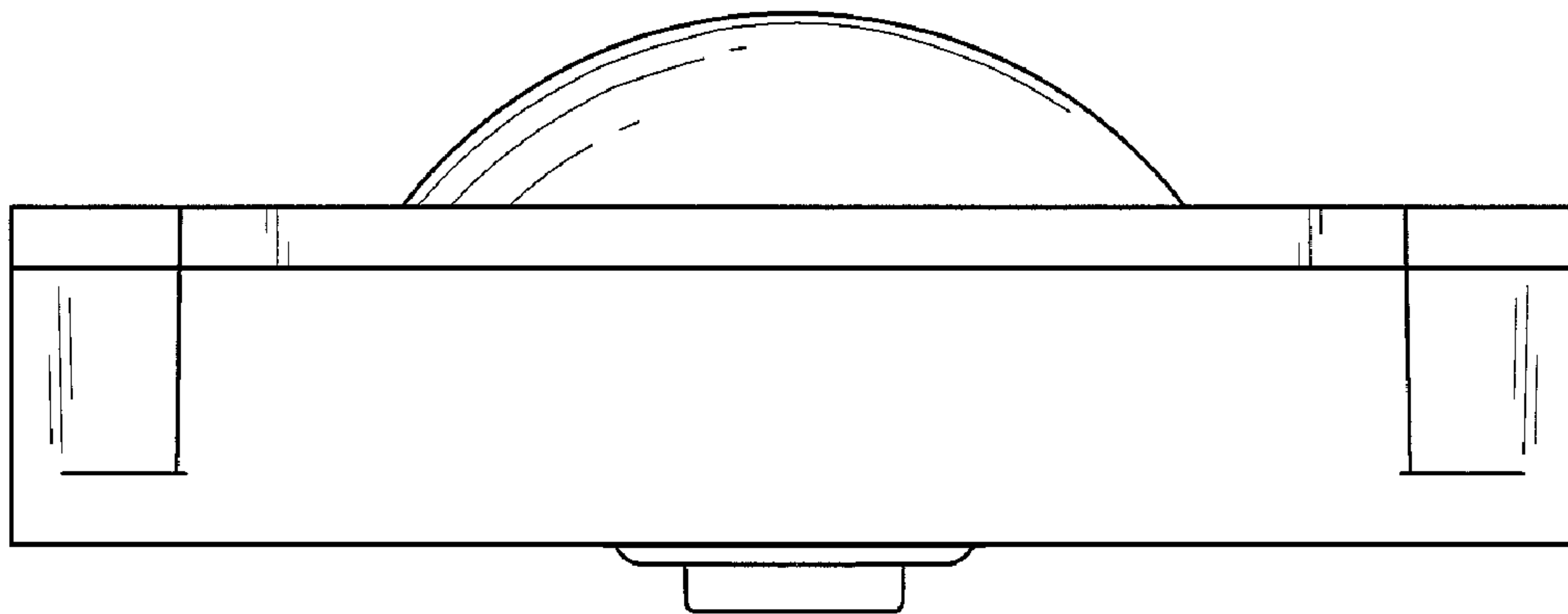


FIG. 4

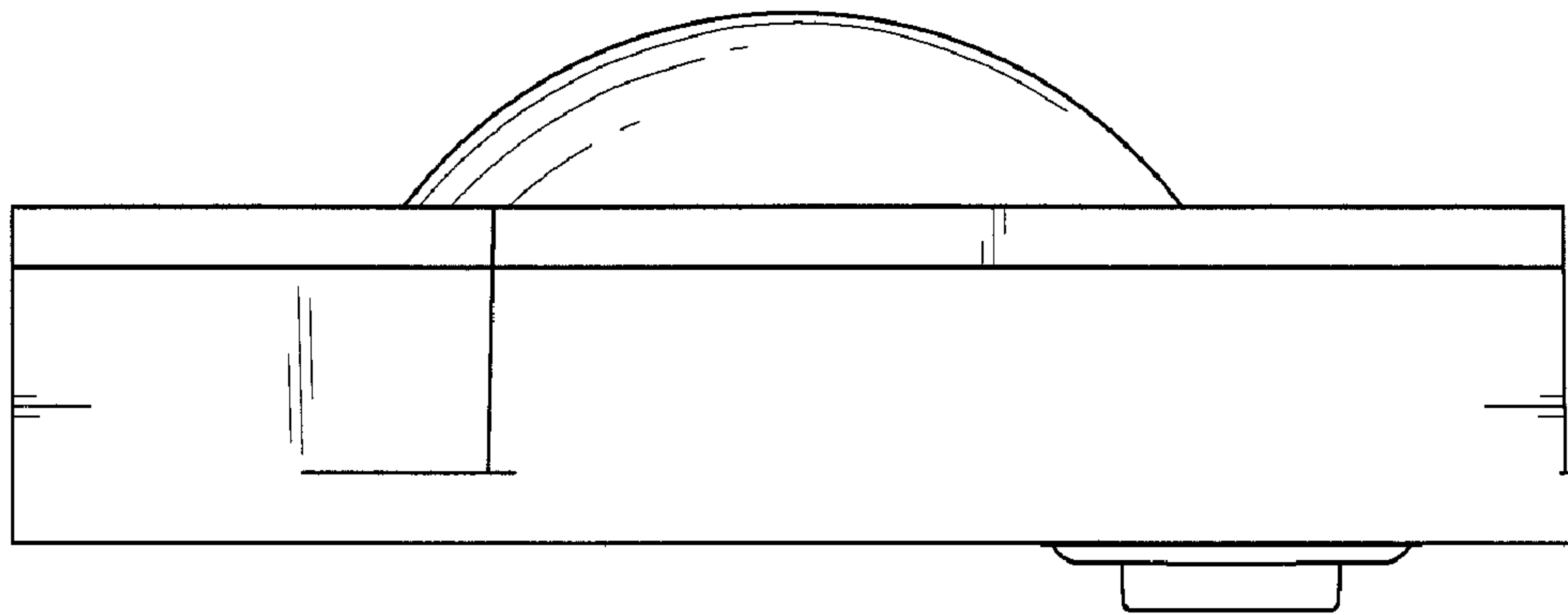


FIG. 5

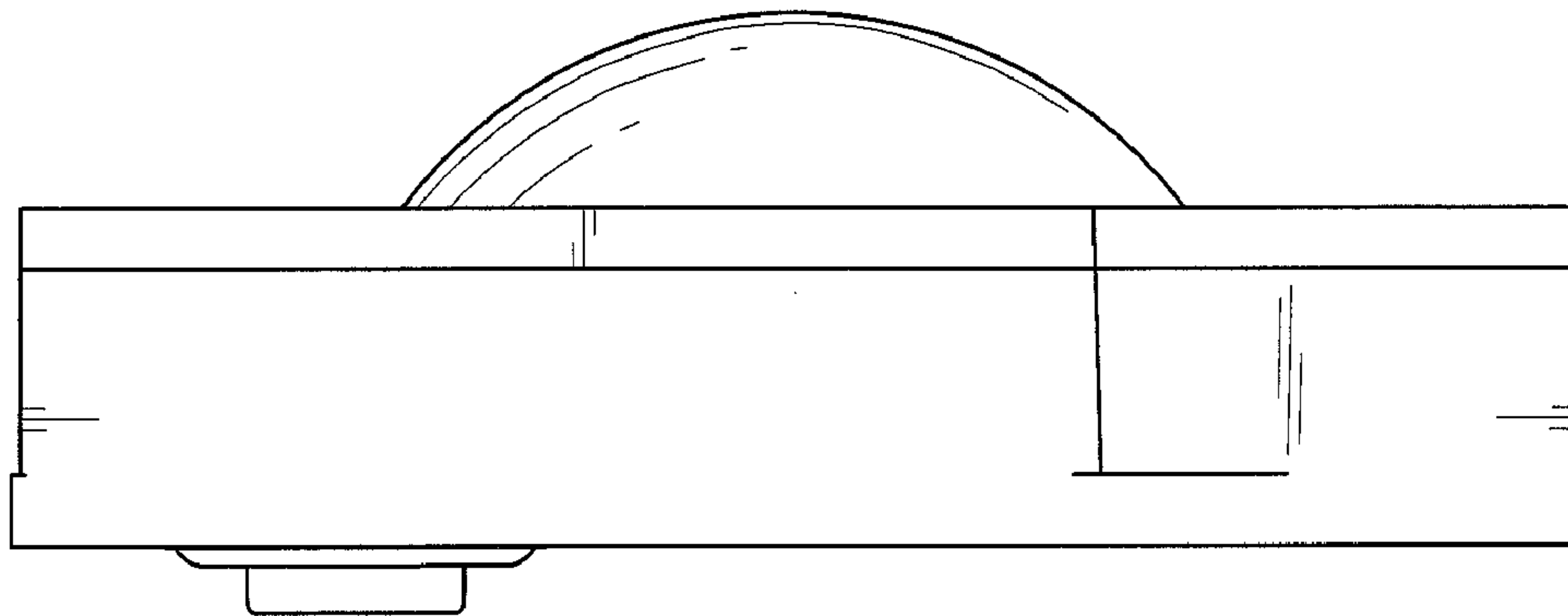


FIG. 6

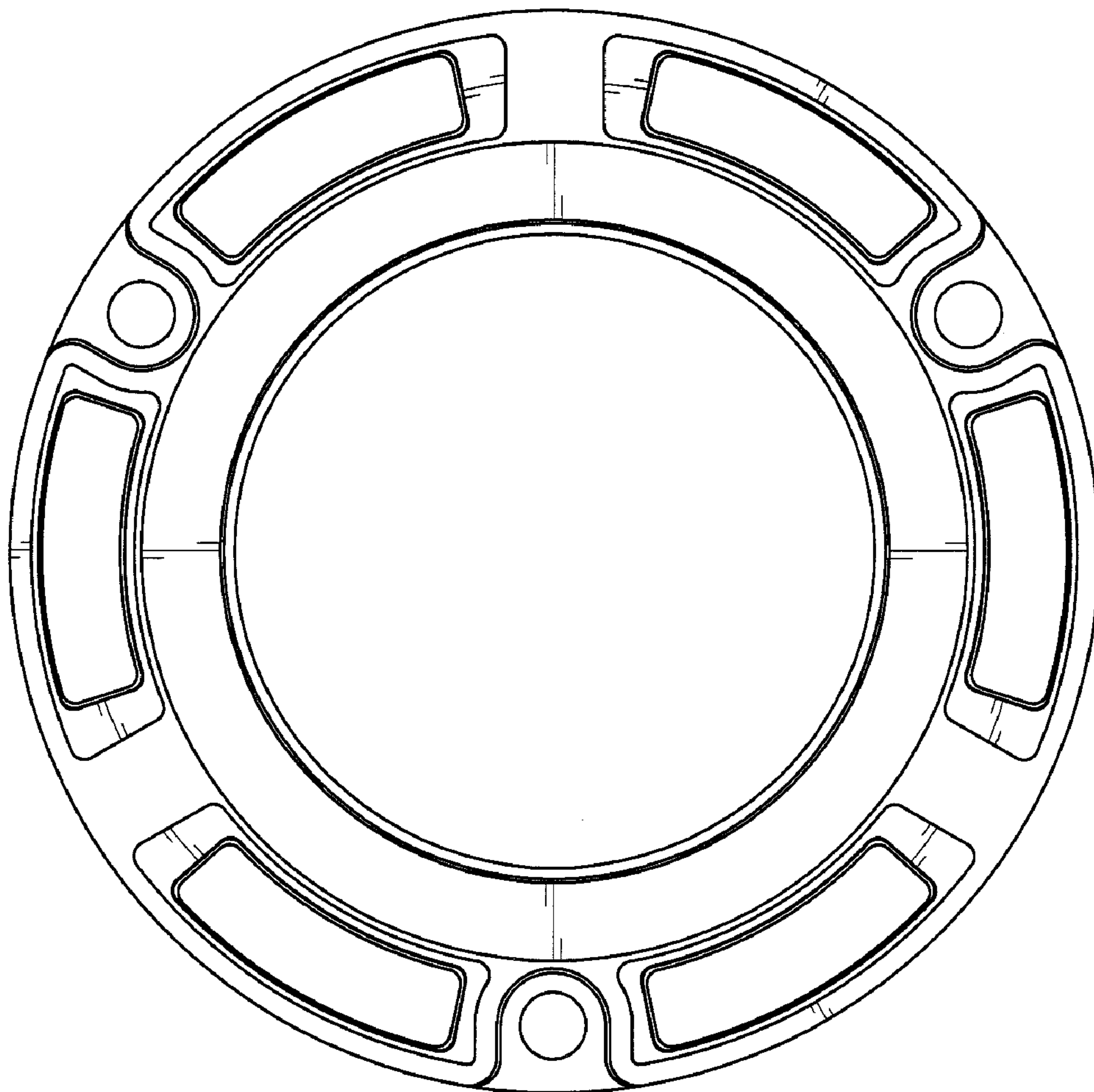


FIG. 7

