



US00D634885S

(12) **United States Design Patent**
Kim et al.

(10) **Patent No.:** **US D634,885 S**
(45) **Date of Patent:** **** Mar. 22, 2011**

(54) **LED LAMP MODULE**

(75) Inventors: **Eunhwa Kim**, Uiwang (KR); **Dong Nyung Lim**, Anyang (KR)

(73) Assignee: **LG Innotek Co., Ltd.**, Seoul (KR)

(**) Term: **14 Years**

(21) Appl. No.: **29/362,534**

(22) Filed: **May 27, 2010**

(30) **Foreign Application Priority Data**

Apr. 10, 2010 (KR) 30-2010-0015944
Apr. 10, 2010 (KR) 30-2010-0015945

(51) **LOC (9) Cl.** **26-99**

(52) **U.S. Cl.** **D26/138**

(58) **Field of Classification Search** D26/2,
D26/118, 120, 129, 138, 63, 65, 128, 154,
D26/119, 28, 155, 142, 121, 122, 152, 123,
D26/124, 153, 130, 141, 92, 87, 93, 85, 145;
D11/89, 90, 91, 92; 273/153 S, 160; 362/223,
362/544, 240, 545; D9/529; D21/478, 479;
D34/1; D7/509, 586; D13/134, 179, 180
See application file for complete search history.

(56) **References Cited**

U.S. PATENT DOCUMENTS

D107,554 S *	12/1937	Sibbert	D26/121
D246,677 S *	12/1977	Nigg	D26/65
D297,672 S *	9/1988	Skegin	D26/63
4,985,815 A *	1/1991	Endo	362/294
5,398,177 A *	3/1995	Harwood	362/270
D361,146 S *	8/1995	Jandrisits et al.	D26/63
D388,525 S *	12/1997	Lowell et al.	D26/63
D416,349 S *	11/1999	Pahl	D26/118
D417,307 S *	11/1999	Pahl	D26/118
D442,717 S *	5/2001	Binsukor	D26/63
D459,823 S *	7/2002	Kolbe	D26/63
6,609,816 B2 *	8/2003	Ansari et al.	362/294

6,641,295 B1 *	11/2003	Hu	362/545
6,756,905 B2 *	6/2004	Rattman et al.	340/630
D510,151 S *	9/2005	Rashidi	D26/74
7,217,022 B2 *	5/2007	Ruffin	362/554
D562,492 S *	2/2008	Chen	D26/85
7,357,537 B2 *	4/2008	Masuoka et al.	362/346
7,588,359 B2 *	9/2009	Coushaine et al.	362/555
D606,690 S *	12/2009	Orrom et al.	D26/61
D613,440 S *	4/2010	Lindholm	D26/63
2004/0057251 A1 *	3/2004	Isaacson et al.	362/555
2004/0066142 A1 *	4/2004	Stimac et al.	315/50
2006/0067086 A1 *	3/2006	Hsu	362/544

(Continued)

Primary Examiner — Cathron C Brooks

Assistant Examiner — Kevin K Rudzinski

(74) *Attorney, Agent, or Firm* — Park, Kim & Suh, LLC

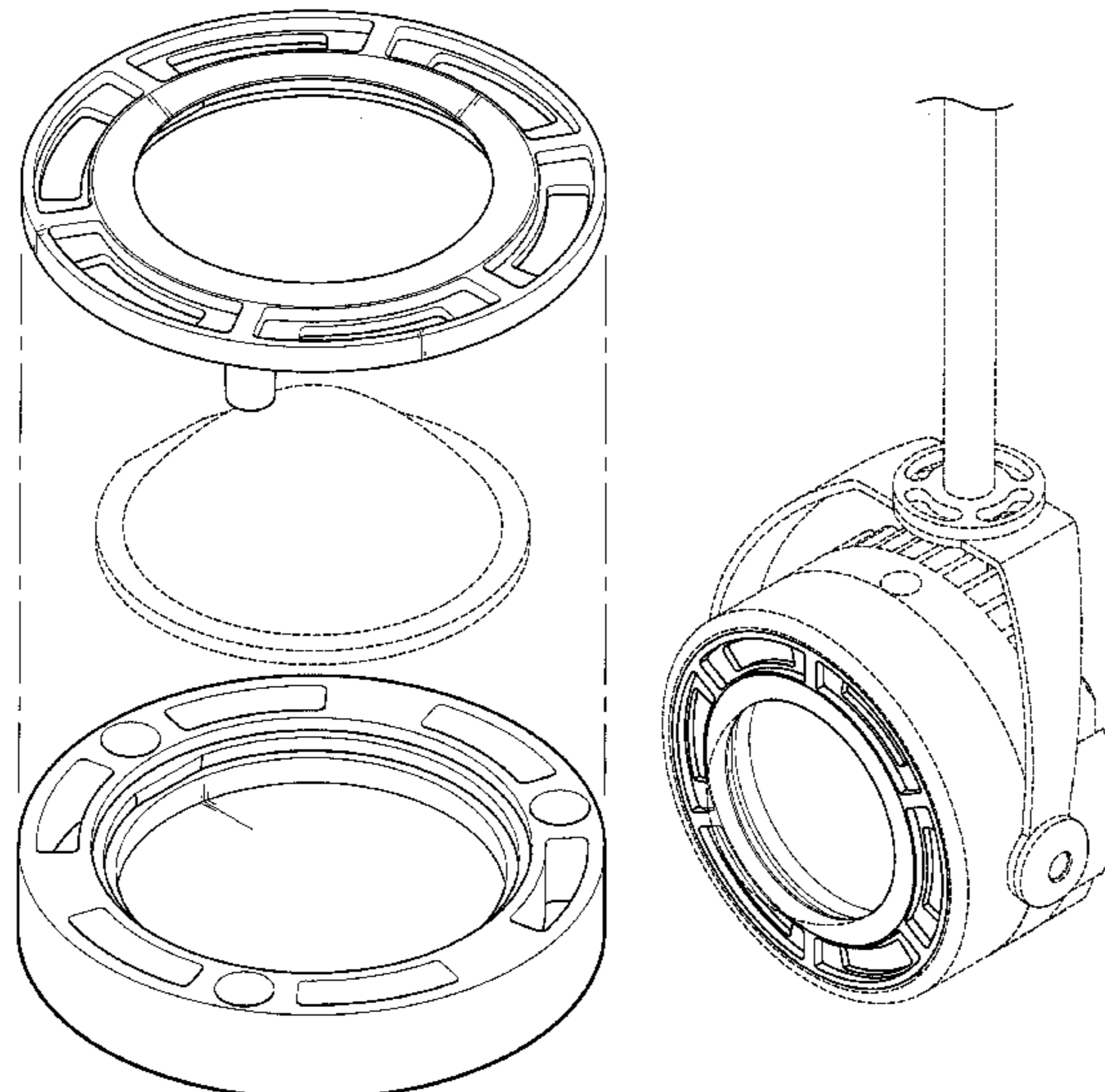
(57) **CLAIM**

The ornamental design for an LED lamp module, as shown and described.

DESCRIPTION

FIG. 1 is a perspective view of an LED lamp module showing our new design;
 FIG. 2 is a front view thereof, a rear view being identical with the front view;
 FIG. 3 is a left side view thereof, a right side view being identical with the left side view;
 FIG. 4 is a top plan view thereof;
 FIG. 5 is a bottom plan view thereof;
 FIG. 6 is a cross-sectional view taken along line 6—6 in FIG. 4;
 FIG. 7 is an exploded perspective view showing the LED lamp module of FIG. 1 in an environment of use with a lens; and,
 FIG. 8 is a perspective view showing the LED lamp module of FIG. 1 in an environment of use with an LED lamp.
 The broken lines shown in the figures illustrate environmental structures and form no part of the claimed design.

1 Claim, 8 Drawing Sheets



US D634,885 S

Page 2

U.S. PATENT DOCUMENTS		2010/0127282 A1*	5/2010	Harbers et al.	257/89
2006/0291206	A1*	12/2006	Angelini et al.	362/244	
2008/0130308	A1*	6/2008	Behr et al.	362/507	* cited by examiner

FIG. 1

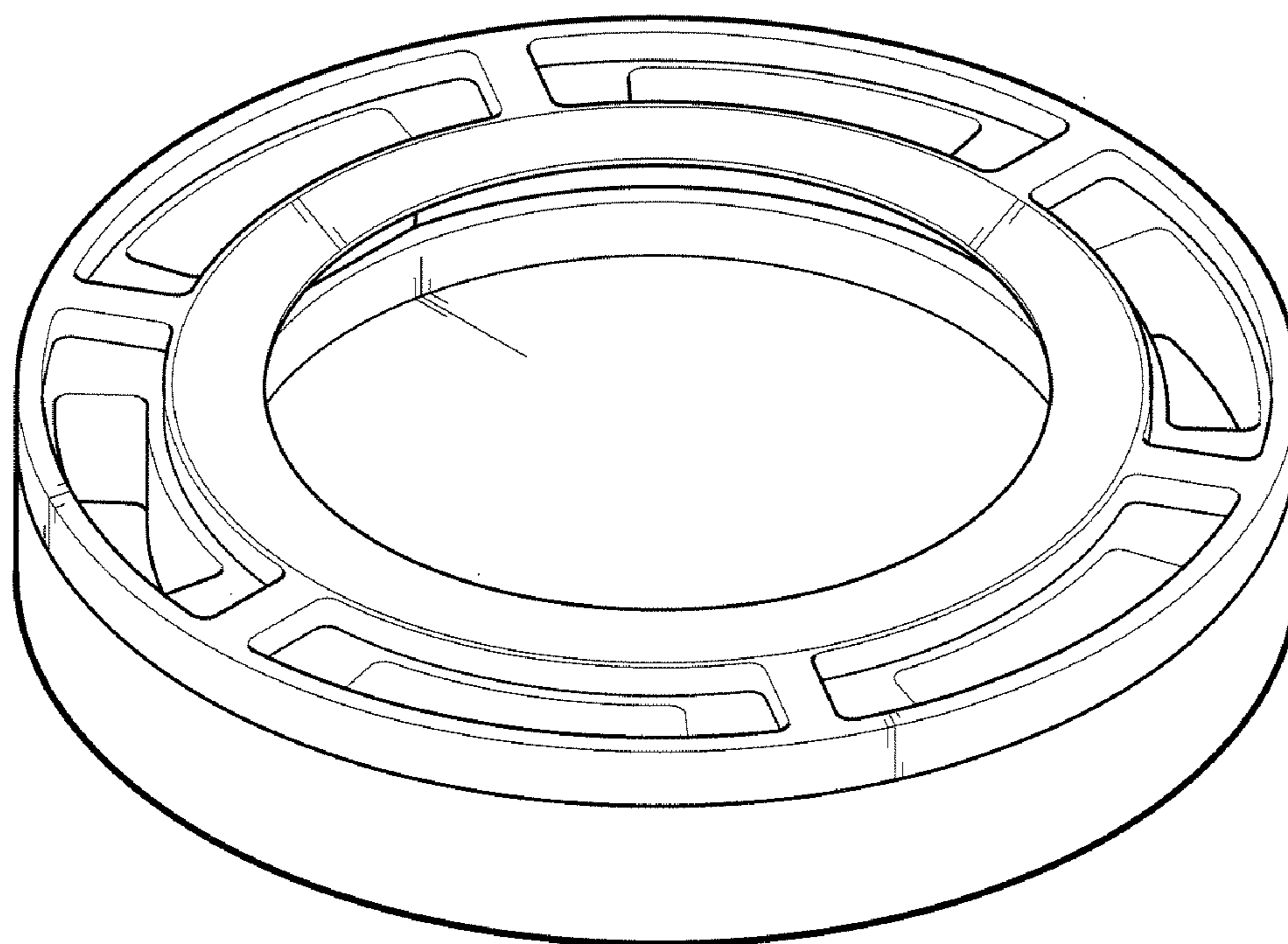


FIG. 2

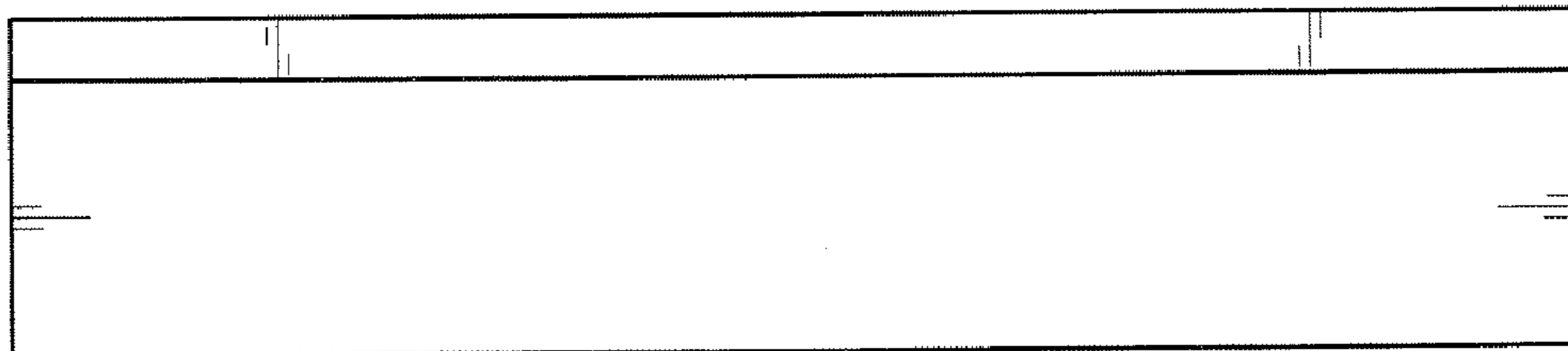


FIG. 3

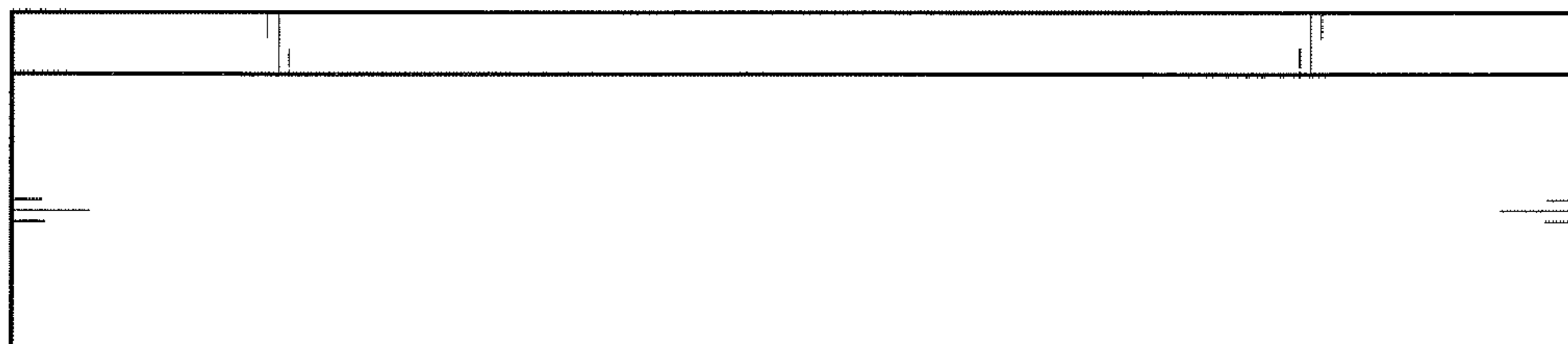


FIG. 4

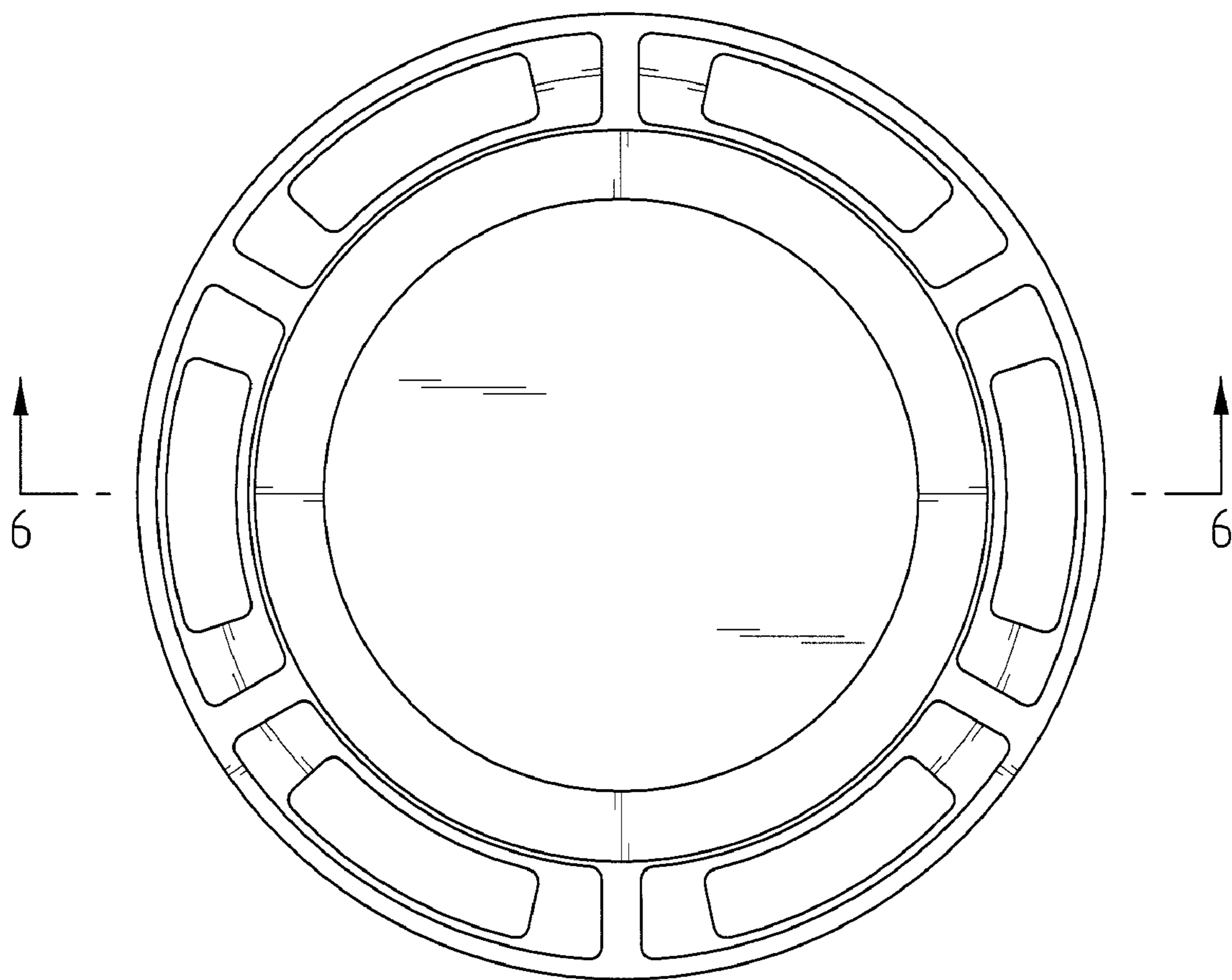


FIG. 5

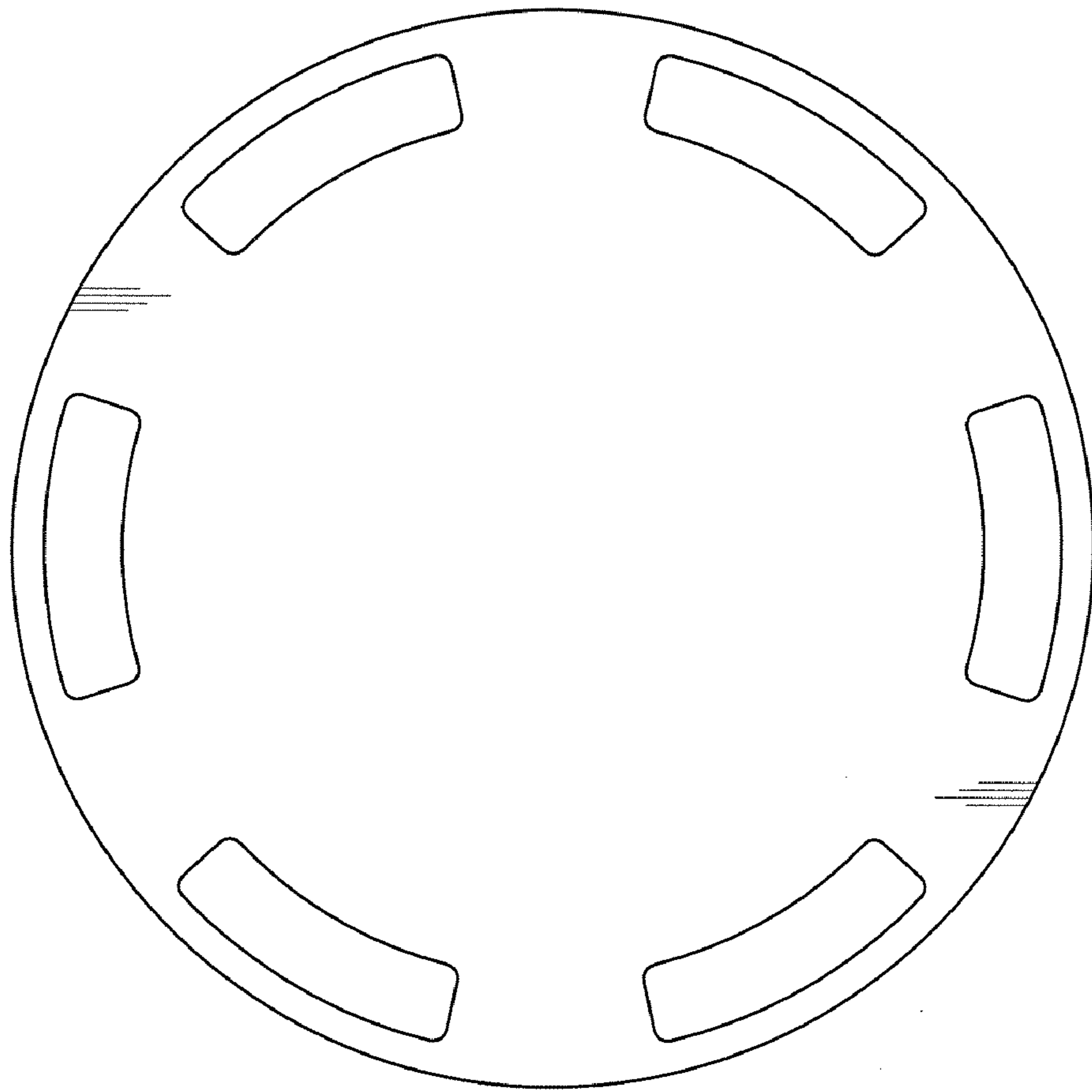


FIG. 6

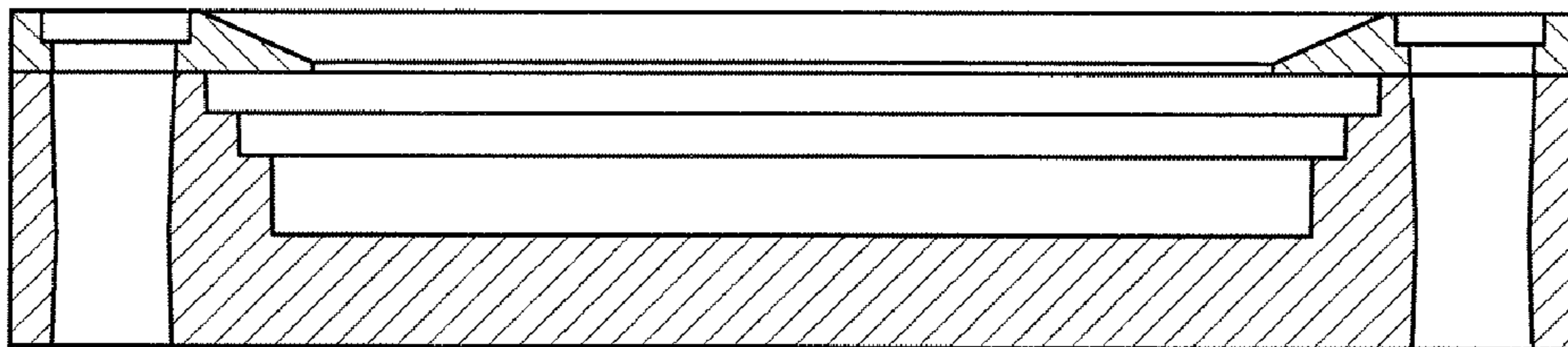


FIG. 7

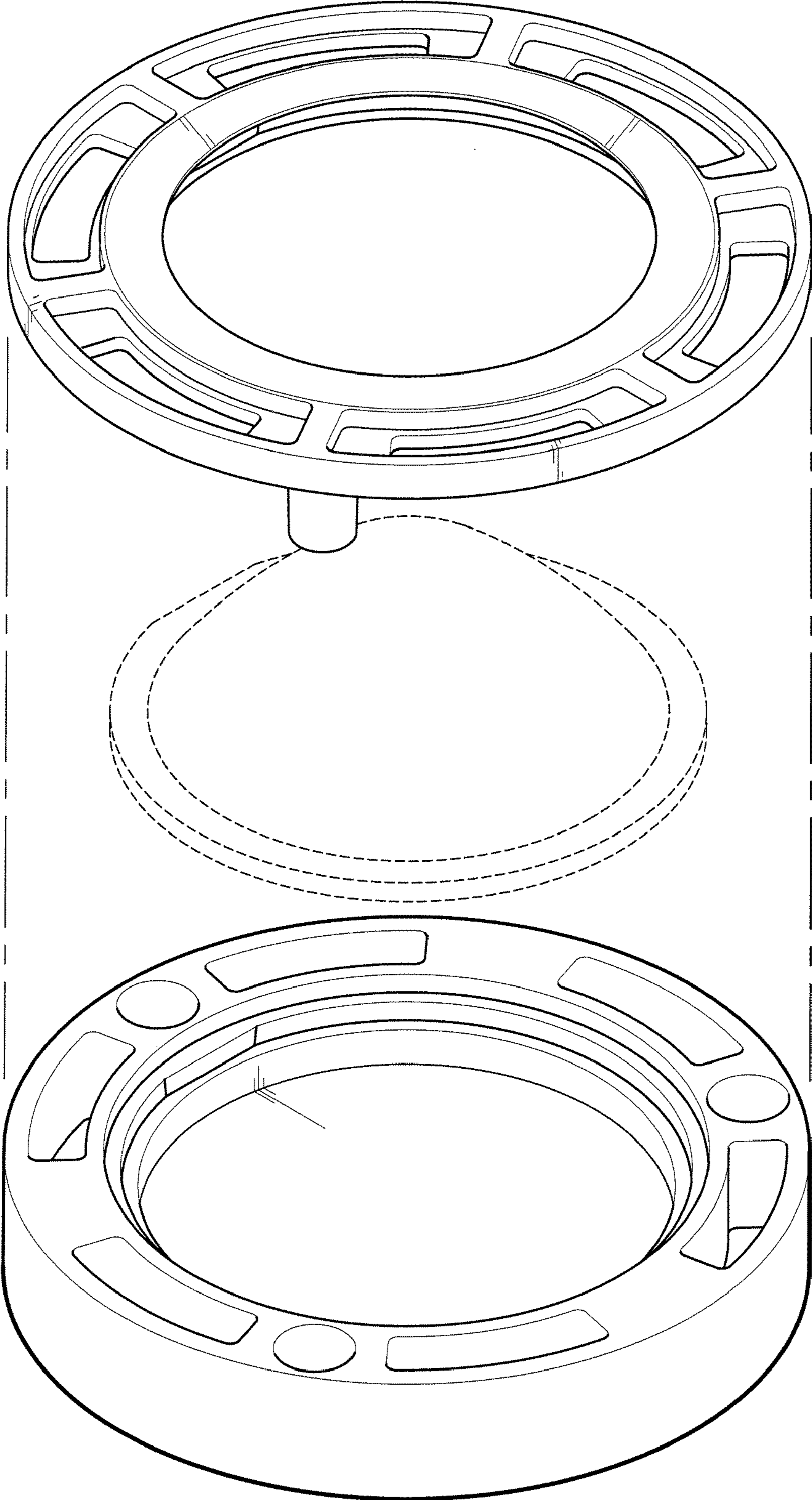


FIG. 8

