



US00D634884S

(12) **United States Design Patent**
Yoshinobu et al.

(10) **Patent No.:** **US D634,884 S**
(45) **Date of Patent:** **** Mar. 22, 2011**

(54) **RECESSED LIGHTING FIXTURE**

(56)

References Cited

(75) Inventors: **Masayuki Yoshinobu**, Yokosuka (JP);
Kazunari Higuchi, Yokosuka (JP);
Takayoshi Moriyama, Yokosuka (JP);
Sumio Hashimoto, Yokosuka (JP)

(73) Assignees: **Toshiba Lighting & Technology Corporation**, Kanagawa (JP);
Kabushiki Kaisha Toshiba, Tokyo (JP)

(**) Term: **14 Years**

(21) Appl. No.: **29/355,779**

(22) Filed: **Feb. 12, 2010**

Related U.S. Application Data

(63) Continuation-in-part of application No. 29/328,302, filed on Nov. 21, 2008.

(30) **Foreign Application Priority Data**

May 26, 2008 (JP) 2008-013130

(51) **LOC (9) Cl.** **26-99**

(52) **U.S. Cl.** **D26/123**

(58) **Field of Classification Search** D26/122,
D26/76, 52, 84, 85, 87, 67, 68, 69, 154, 155,
D26/152, 81, 128, 142, 144, 124, 116, 138,
D26/120, 60, 43, 24, 63, 72, 113, 71, 65,
D26/118, 61, 78, 51, 2, 119, 123, 130, 140,
D26/141; D25/119, 138, 140; 362/147,
362/297, 84, 362, 376, 33, 240, 241, 294,
362/138, 153.1, 650, 257, 341, 351; D16/135;
D5/62; D8/370; 160/332; 52/533; D11/79,
D11/90, 9, 8; 431/289; 433/29, 30; D24/158,
D24/209, 210; D13/134, 179, 180; 257/712;
359/809

See application file for complete search history.

U.S. PATENT DOCUMENTS

1,241,886	A *	10/1917	Rowe	362/339
2,860,237	A *	11/1958	Baker et al.	362/330
3,539,801	A *	11/1970	Bobrick	362/297
D222,102	S *	9/1971	Schwartz et al.	D26/122
5,400,229	A *	3/1995	Lin	362/249.02
6,106,137	A *	8/2000	Adams et al.	362/237
6,367,949	B1 *	4/2002	Pederson	362/240
6,578,994	B1 *	6/2003	Beyerlein	362/490
D502,284	S *	2/2005	Egawa et al.	D26/122
6,953,264	B2 *	10/2005	Ter-Hovhannisian	362/241
D517,725	S *	3/2006	Egawa et al.	D26/122
D523,825	S *	6/2006	Egawa	D13/180
D524,978	S *	7/2006	Bellaloum	D26/102
D539,464	S *	3/2007	Dworschak	D26/92
D539,943	S *	4/2007	Egawa et al.	D26/24
D539,944	S *	4/2007	Egawa et al.	D26/24
D539,945	S *	4/2007	Egawa et al.	D26/24
D540,965	S *	4/2007	Chiang	D26/28

(Continued)

Primary Examiner — Cathron C Brooks

Assistant Examiner — Kevin K Rudzinski

(74) *Attorney, Agent, or Firm* — J.C. Patents

(57)

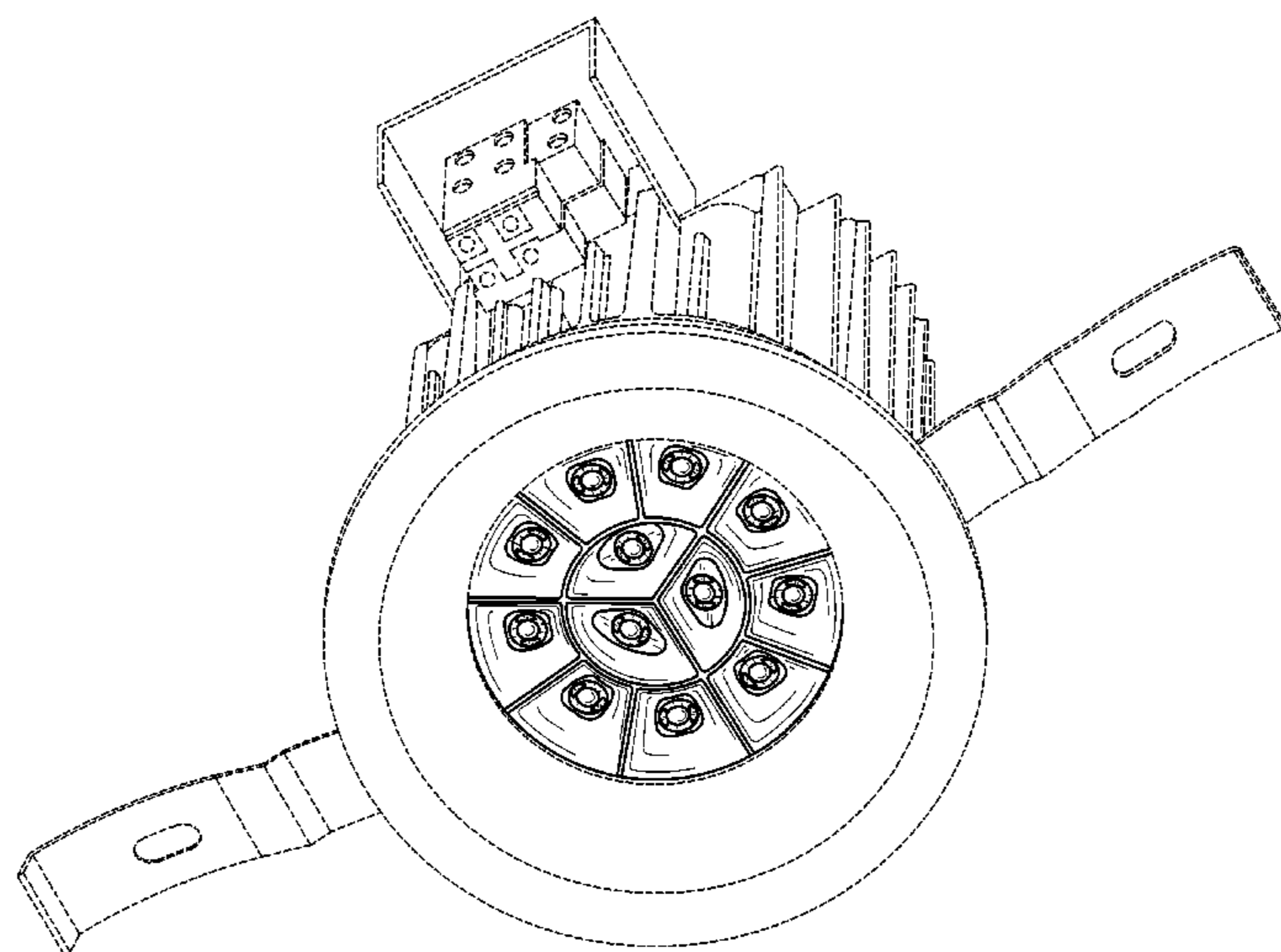
CLAIM

The ornamental design for a recessed lighting fixture, as shown and described.

DESCRIPTION

FIG. 1 is a perspective view of a recessed lighting fixture showing our new design;
FIG. 2 is a front view thereof;
FIG. 3 is a rear view thereof;
FIG. 4 is a right side view thereof, the left side view being a mirror image of the right side view;
FIG. 5 is a top view thereof;
FIG. 6 is a bottom view thereof; and,
FIG. 7 is a cross-sectional view taken along line 7—7 in FIG. 6.
The broken lines shown in FIGS. 1-7 are for illustrative purposes only and do not form part of the claimed design.

1 Claim, 7 Drawing Sheets



US D634,884 S

Page 2

U.S. PATENT DOCUMENTS

D542,963	S *	5/2007	Zucker	D26/121				
D544,117	S *	6/2007	Coushaine	D26/37				
7,281,818	B2 *	10/2007	You et al.	362/241				
7,303,316	B2 *	12/2007	Liu	362/297				
D561,360	S *	2/2008	Wang	D26/28				
D566,861	S *	4/2008	Takada et al.	D26/1				
D570,013	S *	5/2008	Huang	D26/28				
D574,541	S *	8/2008	Matsumoto et al.	D26/74				
D576,333	S *	9/2008	Benensohn	D26/72				
D578,670	S *	10/2008	Li et al.	D26/1				
D578,679	S *	10/2008	Huang	D26/28				
D578,682	S *	10/2008	Huang	D26/28				
D578,699	S *	10/2008	Ohno et al.	D26/72				
D590,082	S *	4/2009	Merovitz	D26/28				
D595,452	S *	6/2009	Khang et al.	D26/138				
7,575,333	B2 *	8/2009	Julia Vilarrasa	362/101				
2004/0012957	A1 *	1/2004	Bachl et al.	362/241				
2004/0095763	A1 *	5/2004	Guerrieri et al.	362/240				
2004/0201987	A1 *	10/2004	Omata	362/230				
2005/0036305	A1 *	2/2005	Kersey	362/149				
2006/0176686	A1 *	8/2006	McVicker	362/183				
2007/0085103	A1 *	4/2007	Nishioka et al.	257/99				
2007/0097675	A1 *	5/2007	Koren et al.	362/158				
2009/0067172	A1 *	3/2009	Inoue et al.	362/240				

* cited by examiner

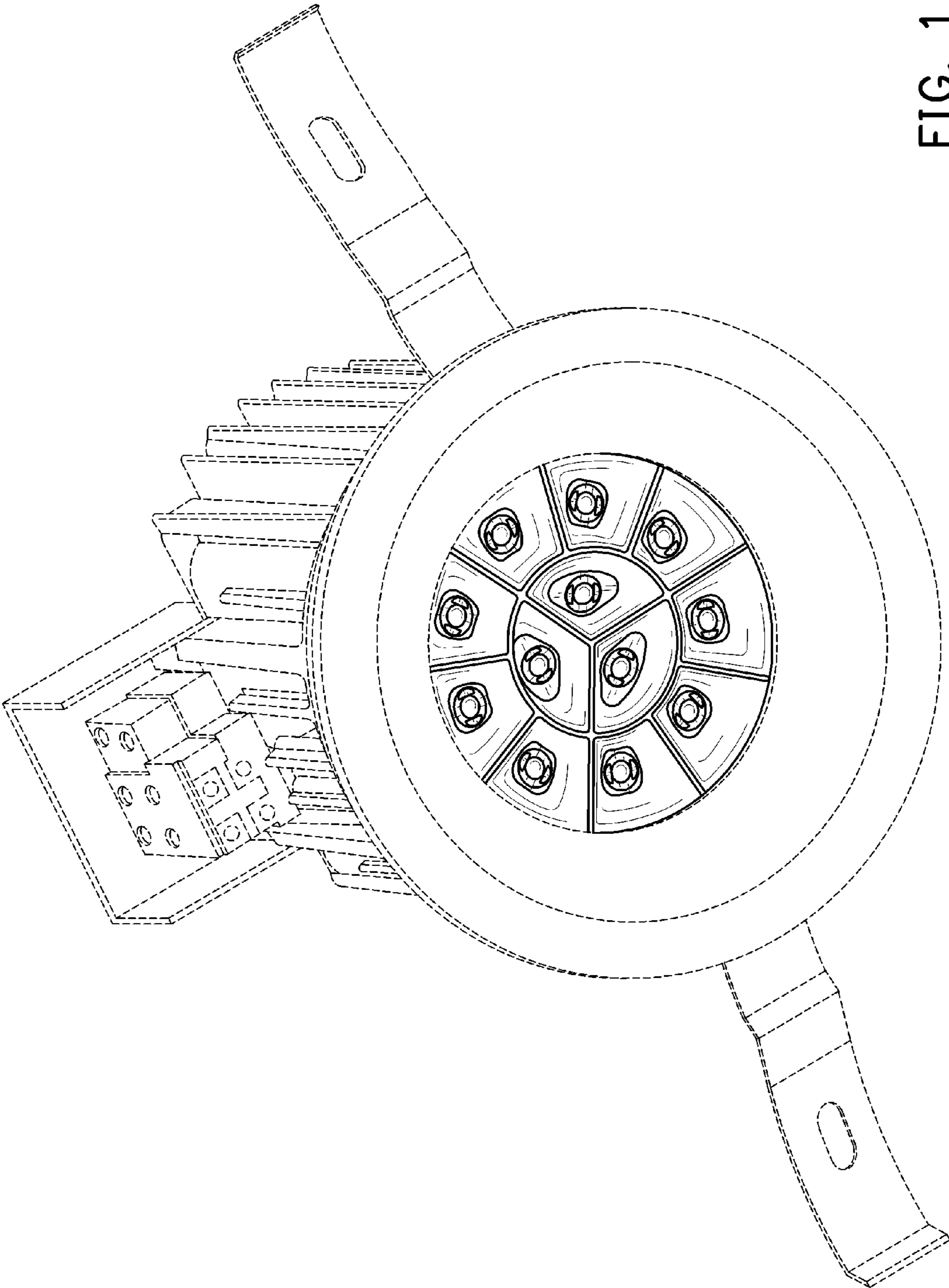


FIG. 1

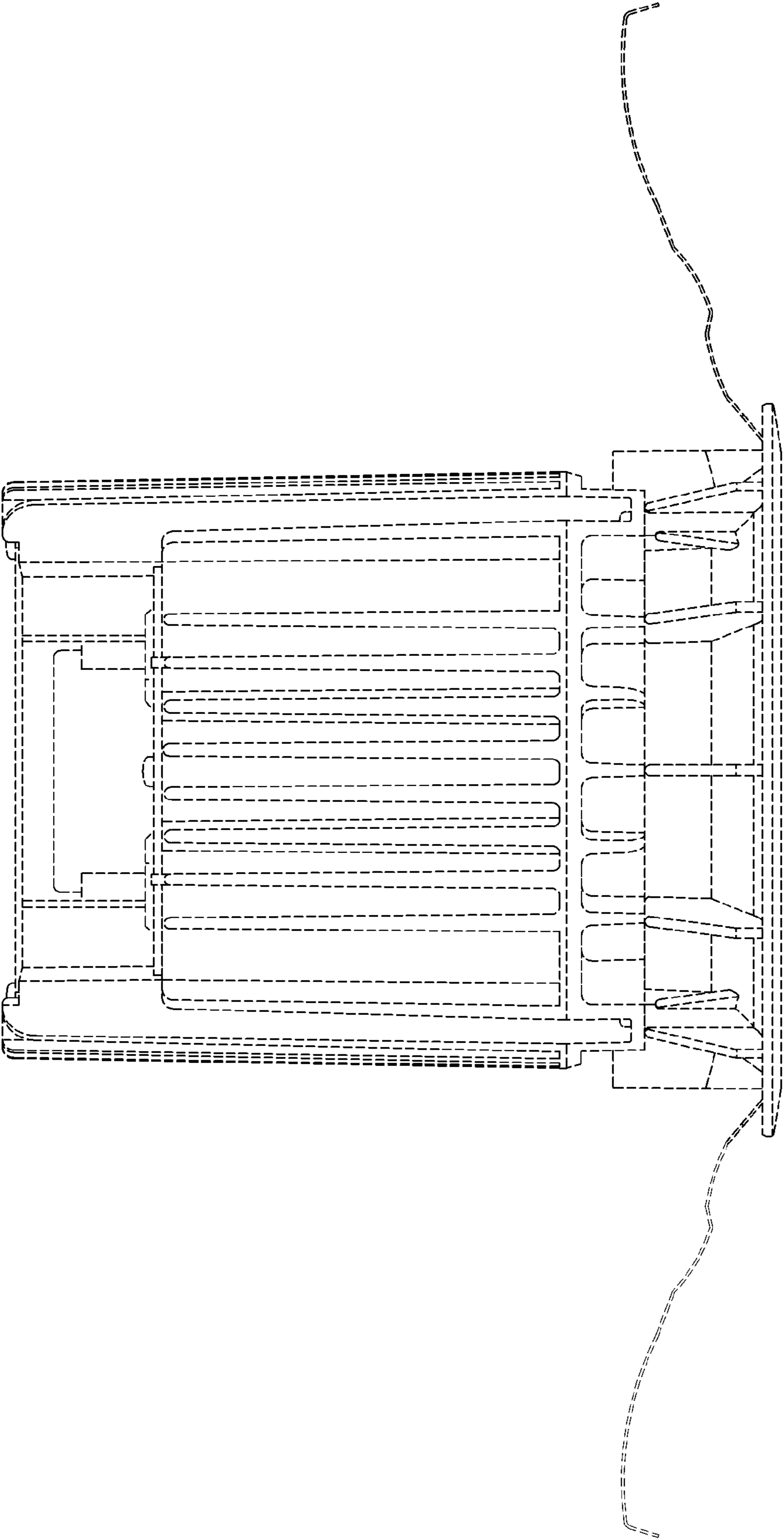


FIG. 2

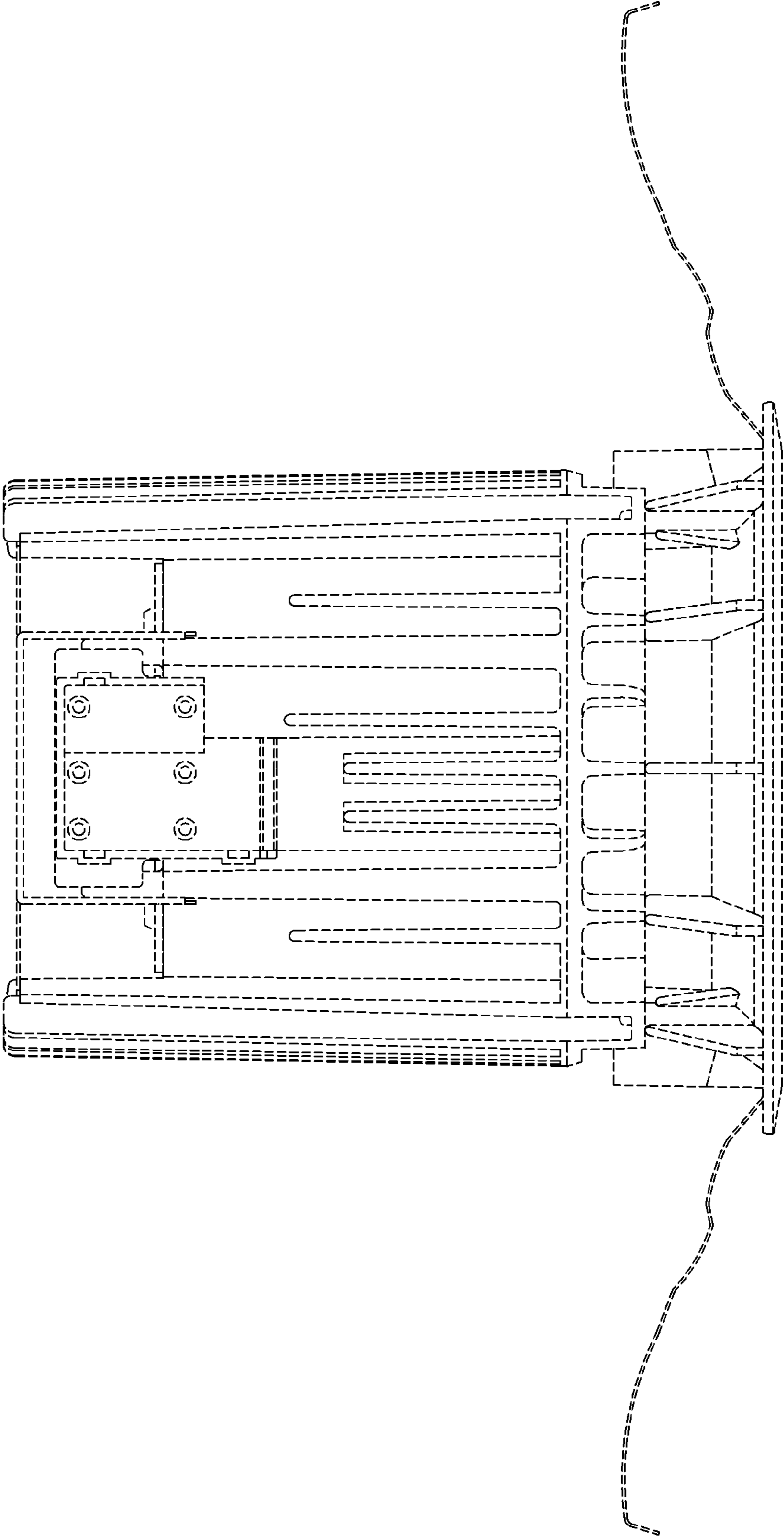


FIG. 3

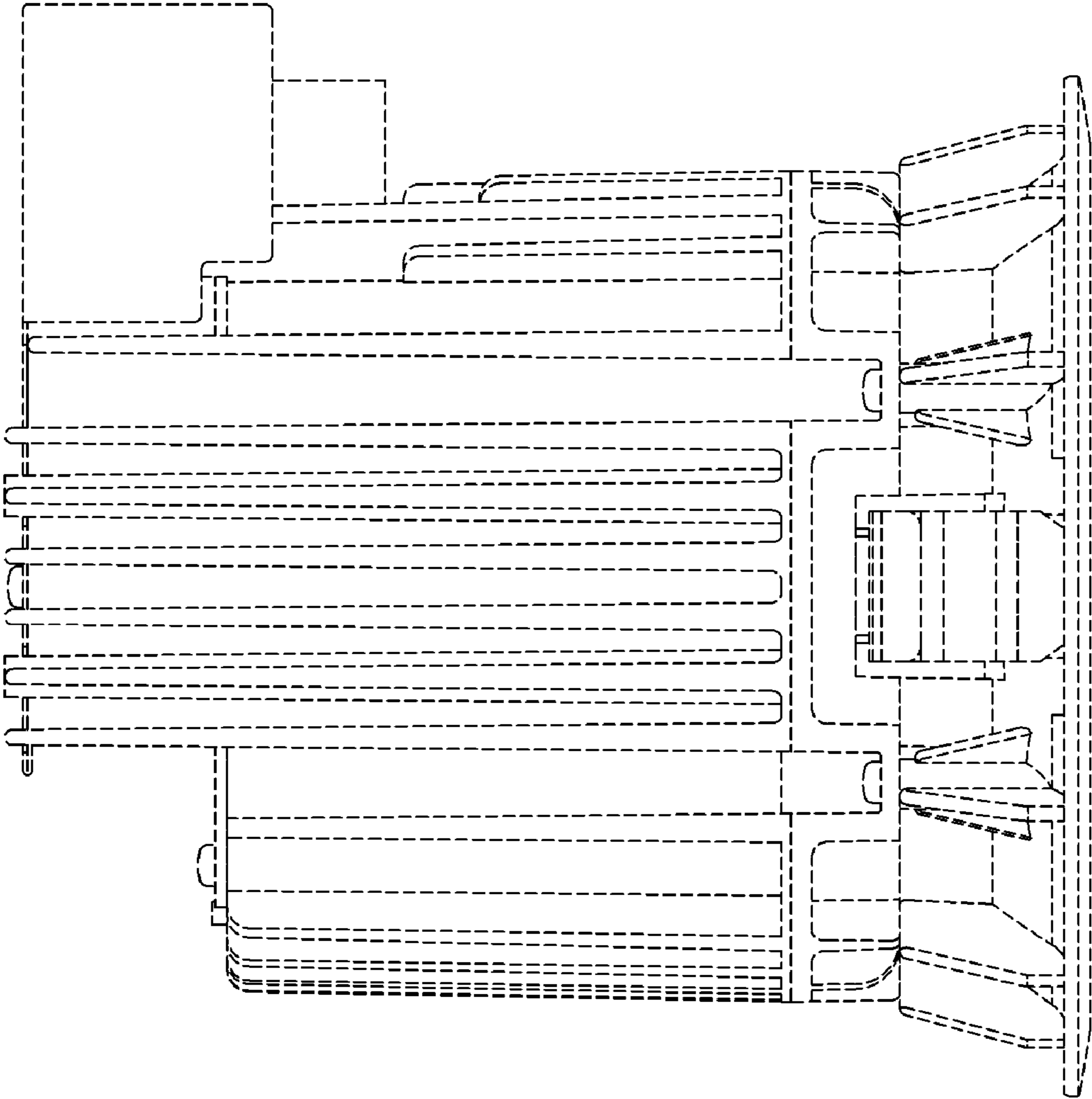


FIG. 4

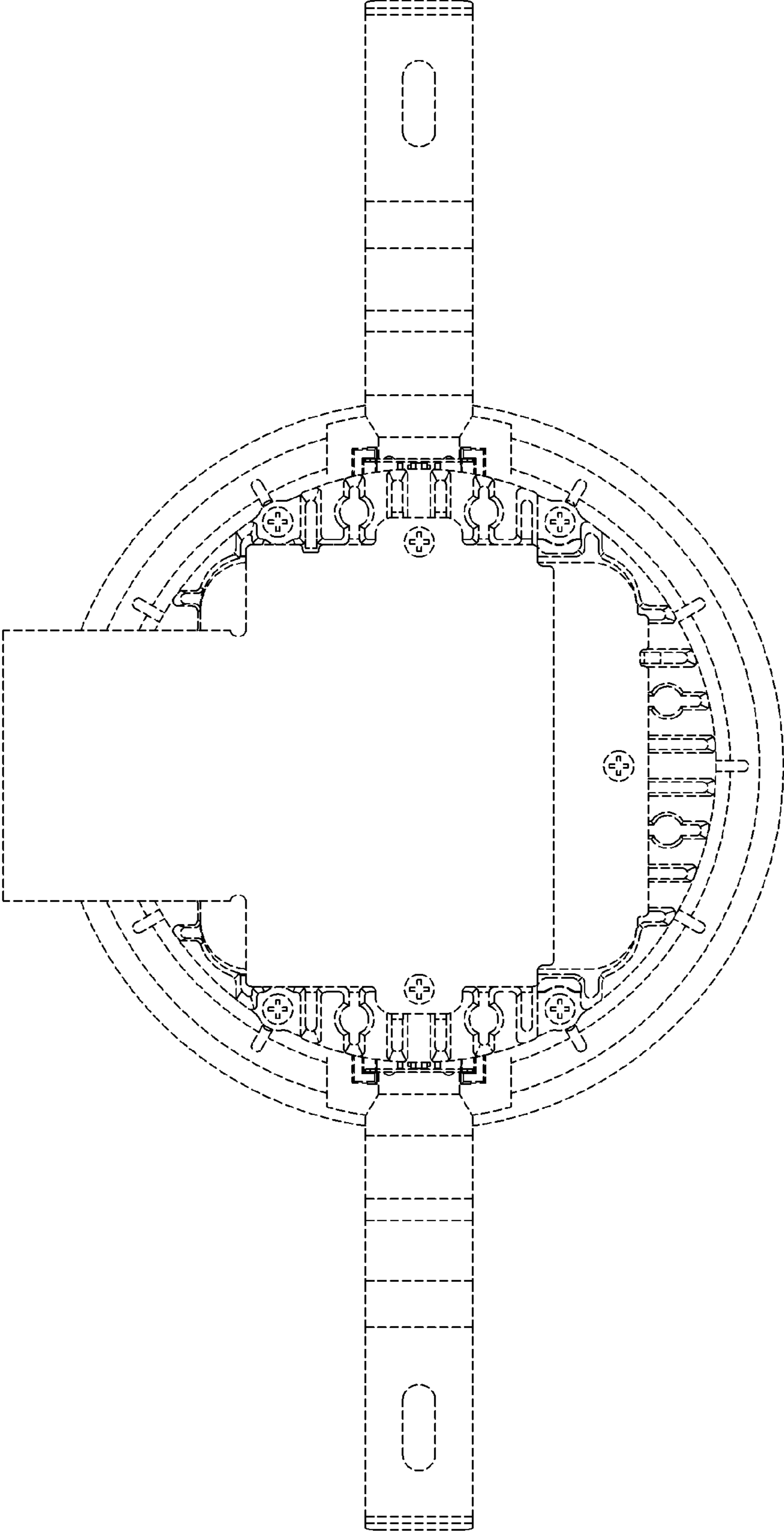
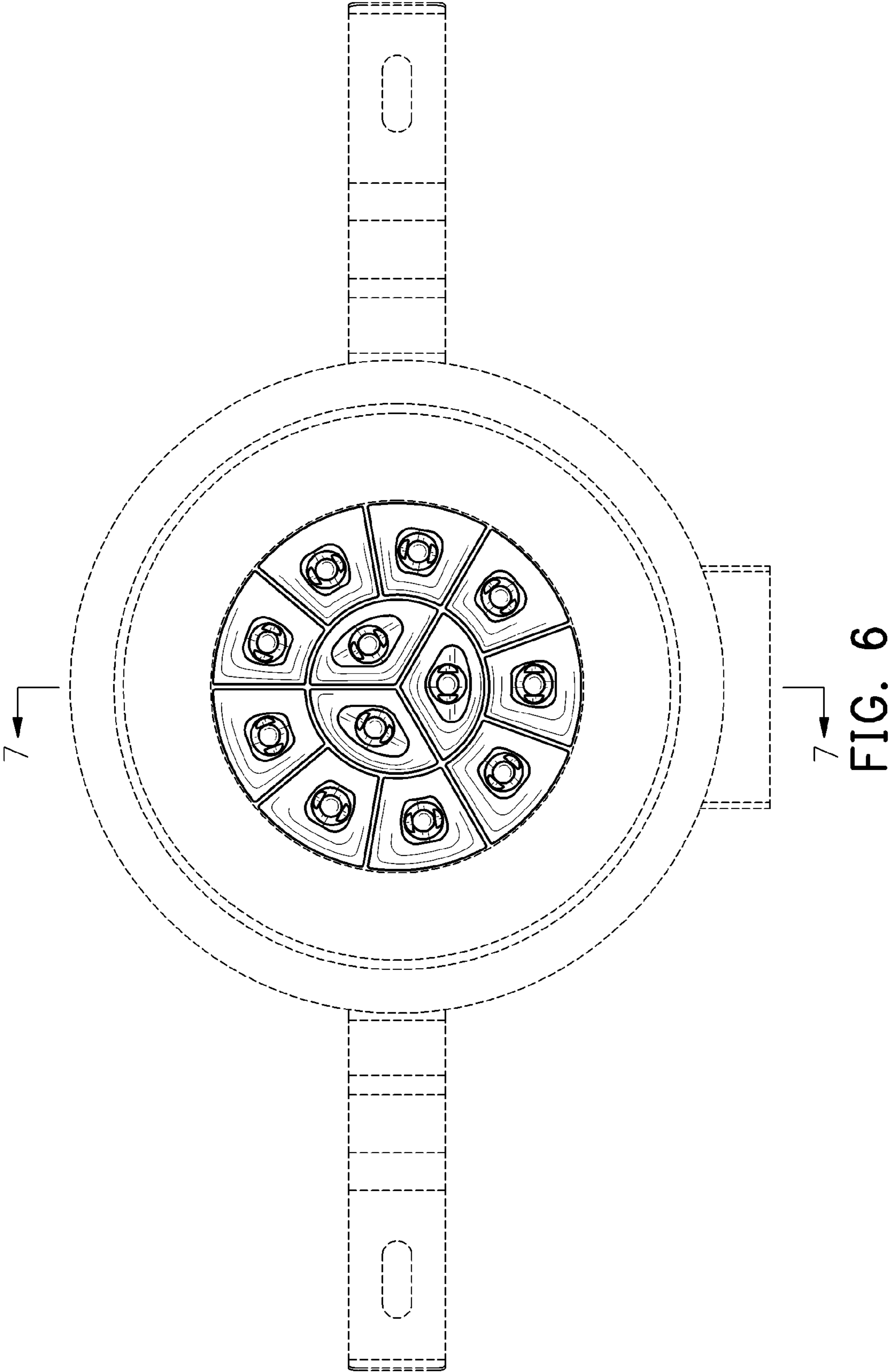


FIG. 5



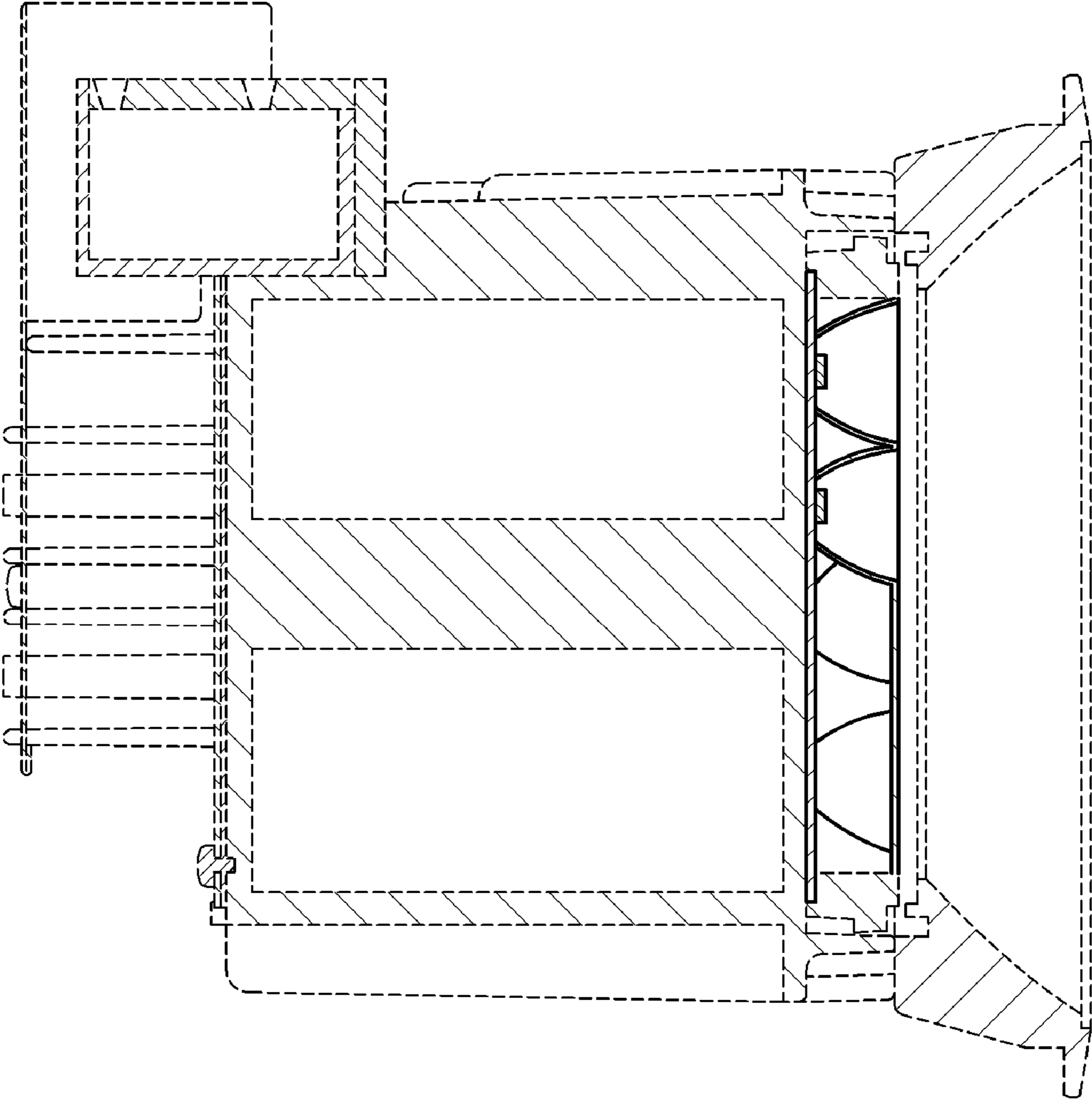


FIG. 7