



US00D634882S

(12) **United States Design Patent**  
**Kim**

(10) **Patent No.:** **US D634,882 S**  
(45) **Date of Patent:** **\*\* Mar. 22, 2011**

(54) **LENS FOR LED LAMP**

(75) Inventor: **Eunhwa Kim**, Uiwang (KR)

(73) Assignee: **LG Innotek Co., Ltd.**, Seoul (KR)

(\*\*) Term: **14 Years**

(21) Appl. No.: **29/362,531**

(22) Filed: **May 27, 2010**

(30) **Foreign Application Priority Data**

Apr. 10, 2010 (KR) ..... 30-2010-0015957

(51) **LOC (9) Cl.** ..... **26-99**

(52) **U.S. Cl.** ..... **D26/120**

(58) **Field of Classification Search** ..... D26/85,  
D26/133, 134, 136, 122, 138, 118, 124, 69,  
D26/68, 67, 71, 125, 149, 147, 156, 94, 73,  
D26/32, 47, 57, 152, 74, 142, 2, 140, 60,  
D26/51, 38, 135, 119; D8/71, 72, 395, 328;  
D19/65, 90; 248/206.5, 389, 229.13, 229.15;  
D32/8, 55, 58; 211/106, 119.01, 119.09,  
211/85.15; 439/540.1; 362/183, 249.01–249.11,  
362/356, 365, 523, 190, 191, 351, 352, 357,  
362/358; D24/99, 327, 134, 227; D2/624;  
24/316, 306, 339, 3.1, 3.11, 3.12; D6/557,  
D6/462; 52/19, 28; 8/38; D14/511, 496  
See application file for complete search history.

(56) **References Cited**

**U.S. PATENT DOCUMENTS**

D99,105	S *	3/1936	Arenberg	.....	D26/124
4,617,615	A *	10/1986	Eychaner	.....	362/216
5,051,875	A *	9/1991	Johnson	.....	362/101
6,019,493	A *	2/2000	Kuo et al.	.....	362/335
D437,654	S *	2/2001	Chen	.....	D26/74
6,609,816	B2 *	8/2003	Ansari et al.	.....	362/294
D482,485	S *	11/2003	Benghozi	.....	D26/85
6,641,295	B1 *	11/2003	Hu	.....	362/545

6,808,293	B2 *	10/2004	Watanabe et al.	.....	362/244
6,979,107	B1 *	12/2005	Benensohn	.....	362/374
7,153,000	B2 *	12/2006	Park et al.	.....	362/268
7,347,590	B2 *	3/2008	Lee et al.	.....	362/327
D574,095	S *	7/2008	Hill et al.	.....	D26/26
7,473,013	B2 *	1/2009	Shimada	.....	362/327
7,513,656	B2 *	4/2009	Park et al.	.....	362/333
D592,615	S *	5/2009	Imai et al.	.....	D13/180
7,553,040	B2 *	6/2009	Boothe et al.	.....	362/101
7,594,740	B2 *	9/2009	Popovich et al.	.....	362/373
7,618,163	B2 *	11/2009	Wilcox	.....	362/336
2005/0024744	A1 *	2/2005	Falicoff et al.	.....	359/737
2006/0067086	A1 *	3/2006	Hsu	.....	362/544

(Continued)

*Primary Examiner* — Cathron C Brooks

*Assistant Examiner* — Kevin K Rudzinski

(74) *Attorney, Agent, or Firm* — Park, Kim & Suh, LLC

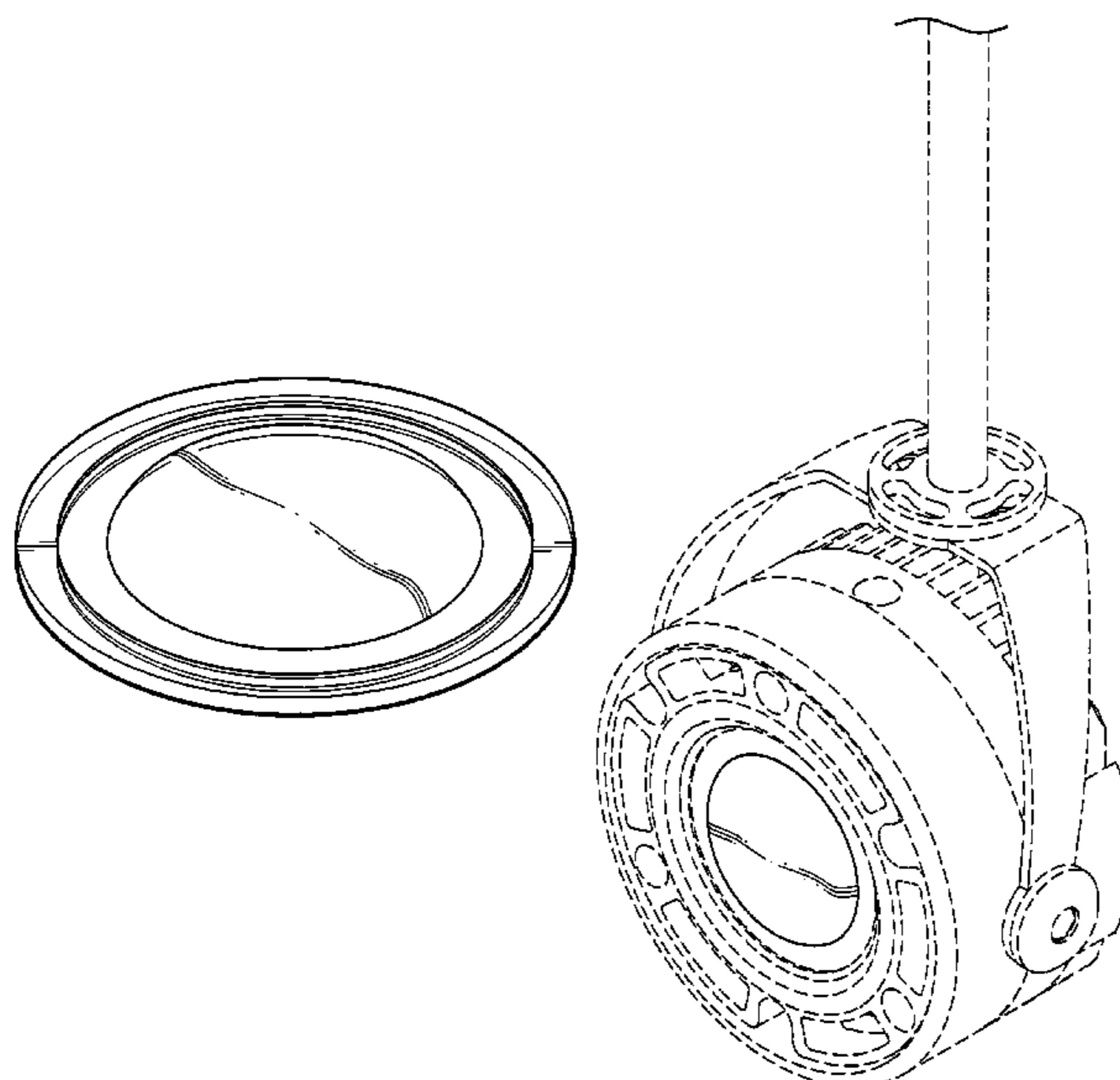
(57) **CLAIM**

The ornamental design for a lens for an LED lamp, as shown and described.

**DESCRIPTION**

FIG. 1 is a perspective view of a lens for an LED lamp showing my new design;  
FIG. 2 is a front view thereof, a rear view being a mirror image of the front view;  
FIG. 3 is a left side view thereof, a right side view being a mirror image of the left side view;  
FIG. 4 is a top plan view thereof;  
FIG. 5 is a bottom plan view thereof;  
FIG. 6 is a cross-sectional view taken along line 6—6 in FIG. 4;  
FIG. 7 is a cross-sectional perspective view taken along line 6—6 in FIG. 4; and,  
FIG. 8 is a perspective view showing the lens in an environment of use with an LED lamp.  
The broken lines shown in the figures illustrate environmental structures and form no part of the claimed design.

**1 Claim, 8 Drawing Sheets**



# US D634,882 S

Page 2

---

## U.S. PATENT DOCUMENTS

2006/0238881	A1 *	10/2006	Park et al. ....	359/642	2008/0203412	A1 *	8/2008	Shyu et al. ....	257/98
2007/0070530	A1 *	3/2007	Seo et al. ....	359/819	2008/0297918	A1 *	12/2008	Park et al. ....	359/709

\* cited by examiner

FIG. 1

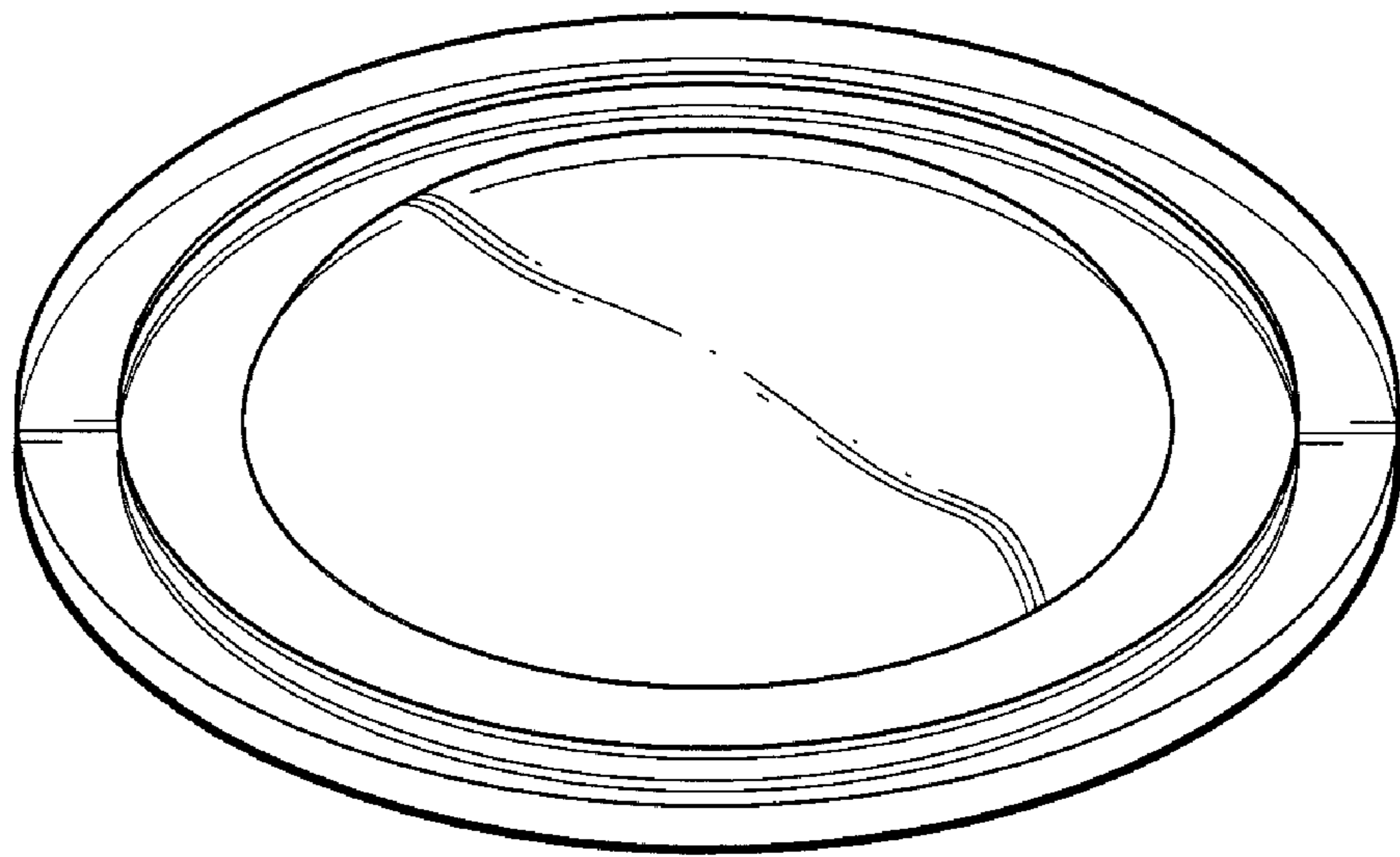


FIG. 2

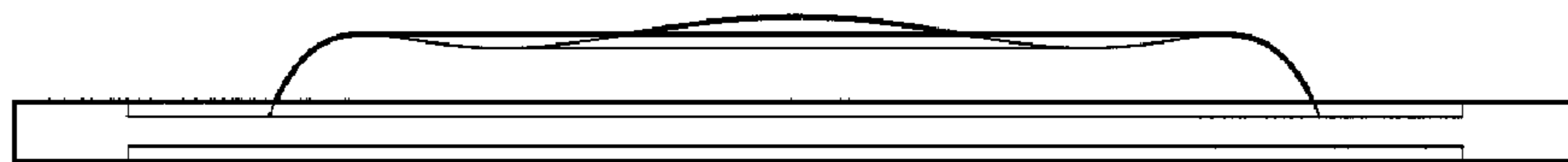


FIG. 3

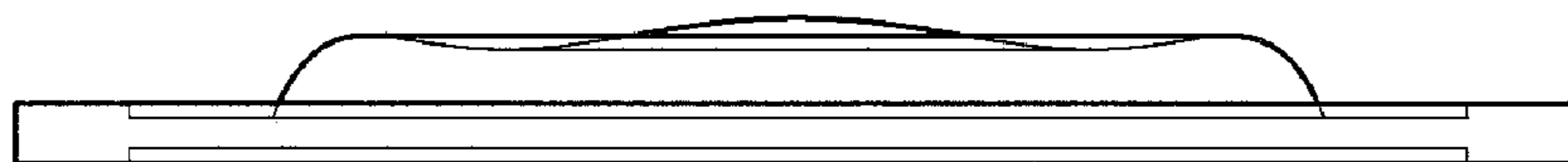


FIG. 4

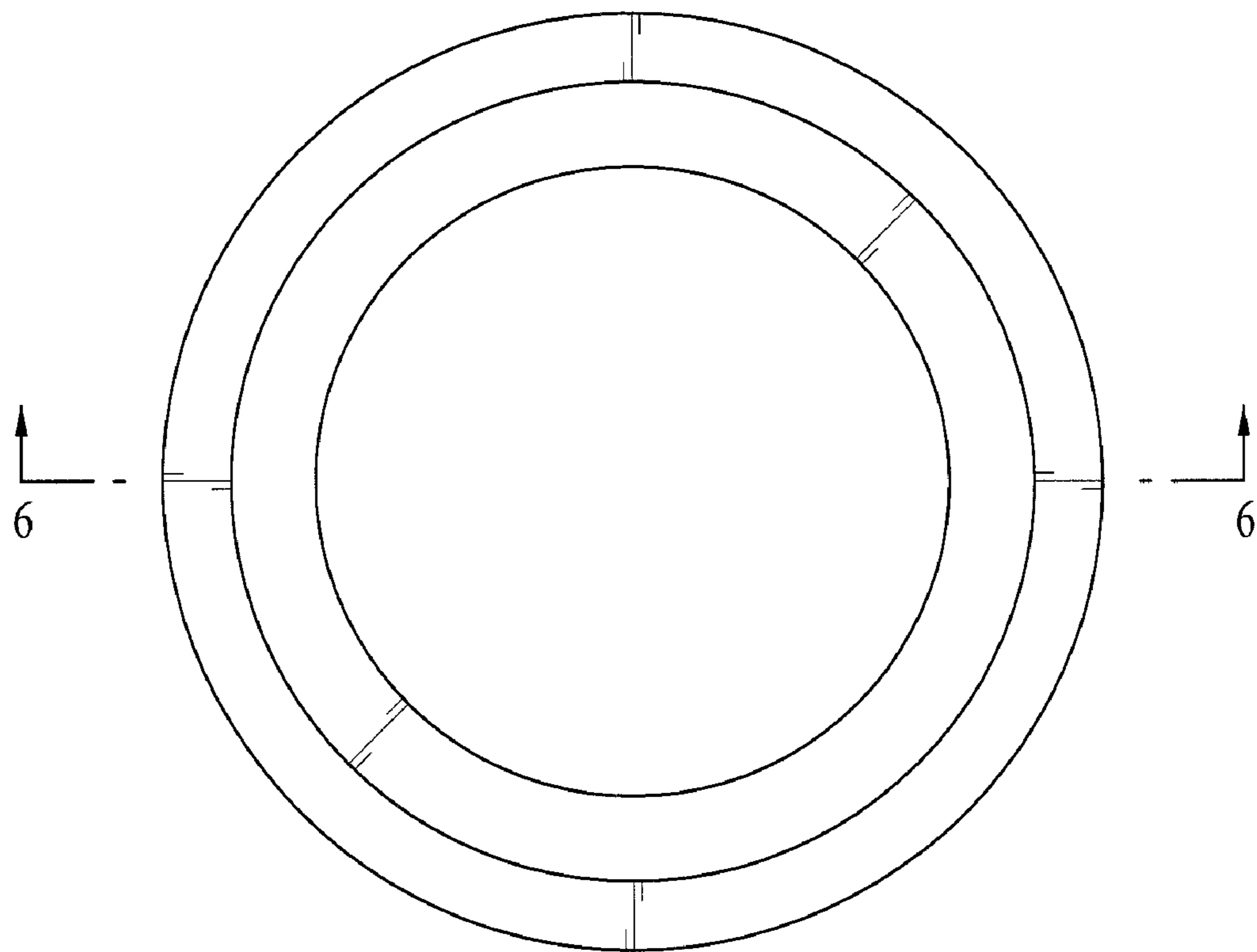


FIG. 5

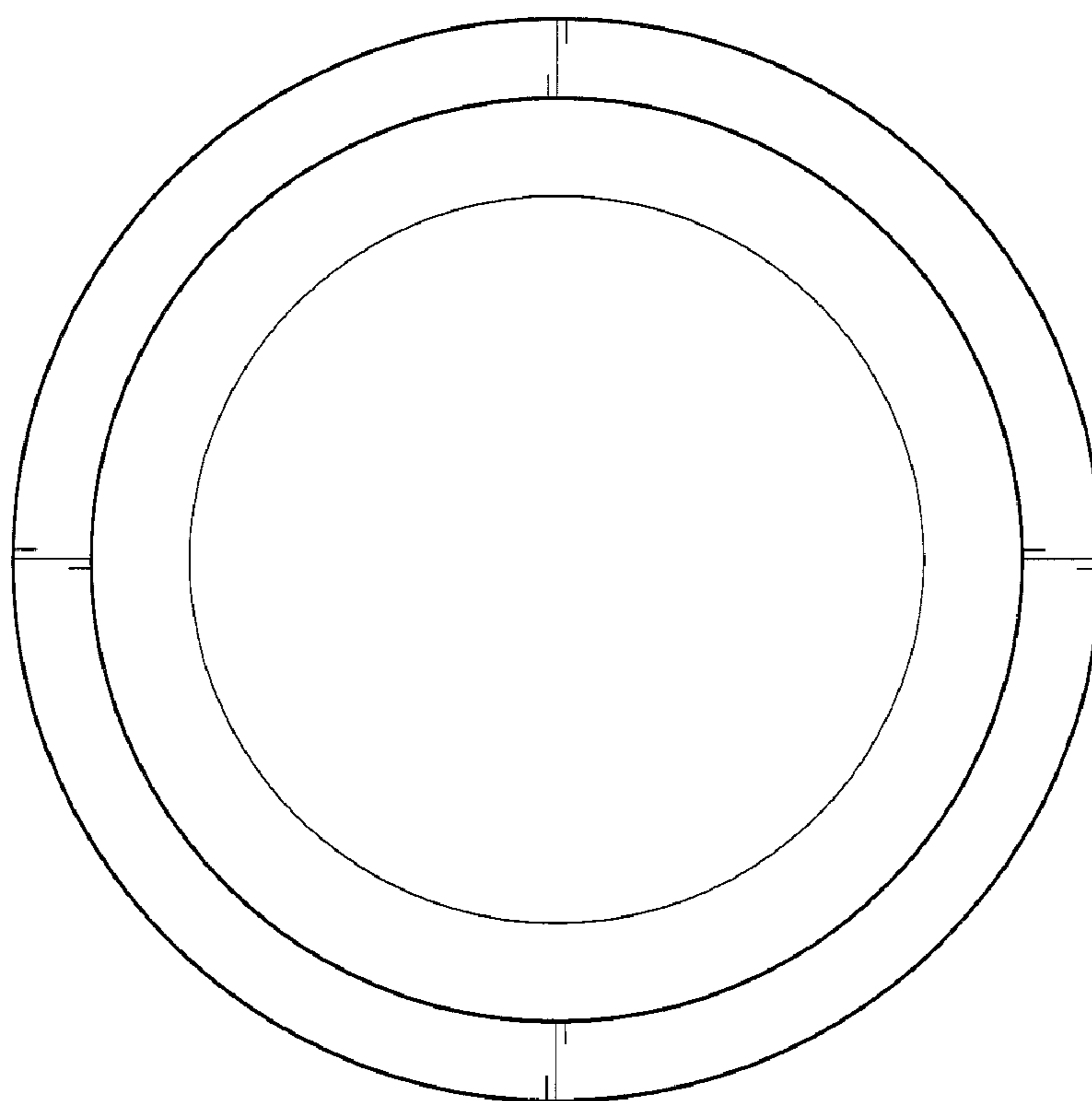


FIG. 6

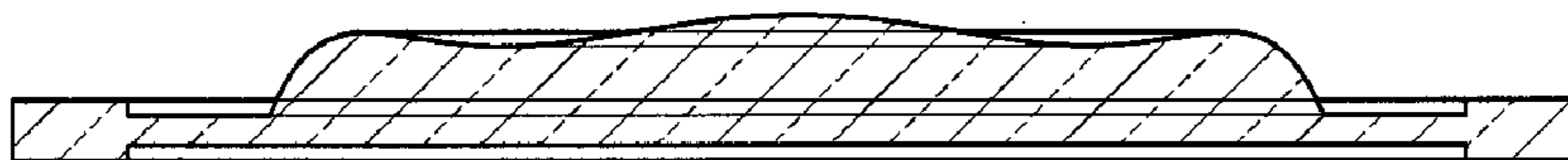




FIG. 7

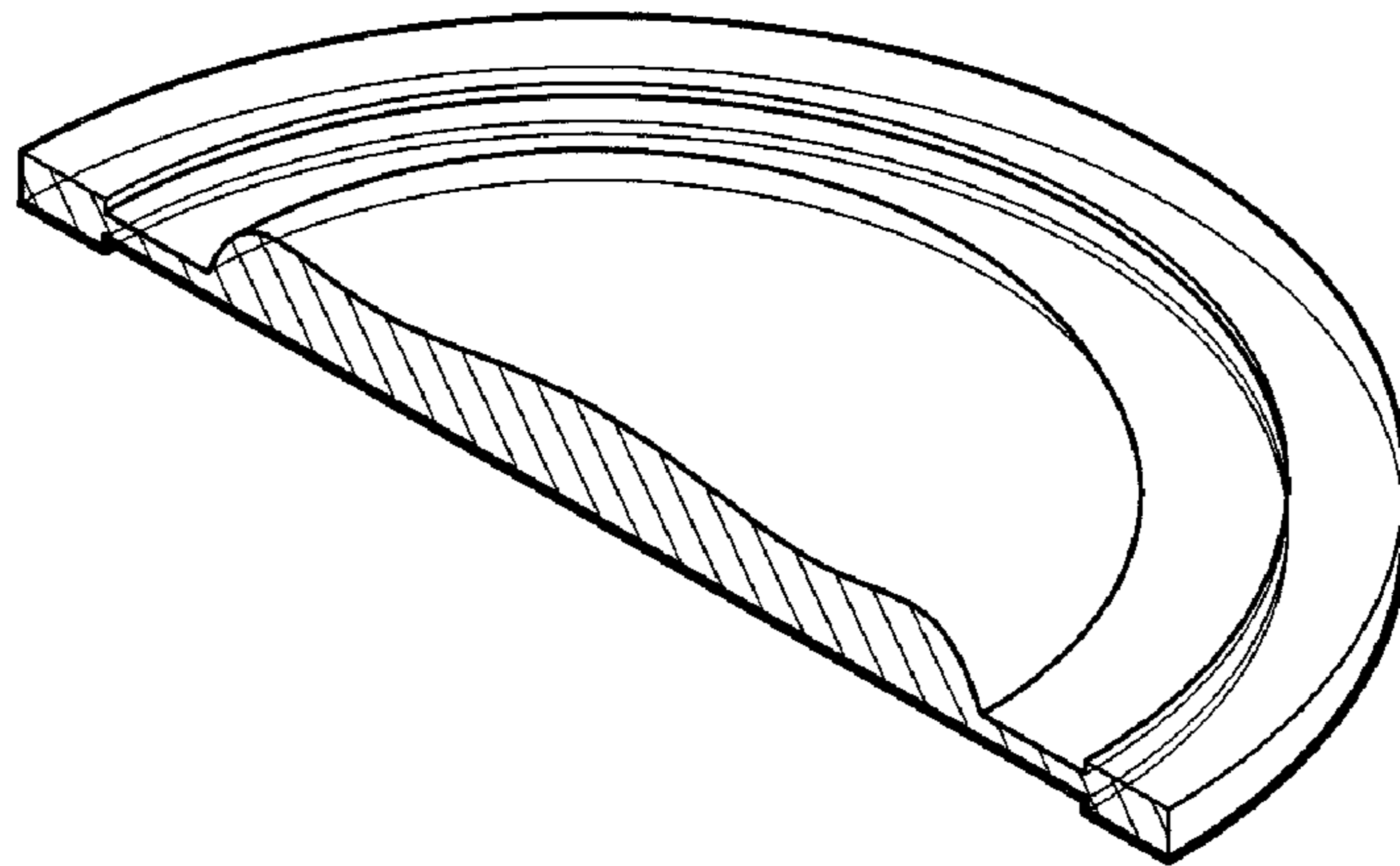


FIG. 8

