



US00D634875S

(12) **United States Design Patent**  
**Jiang et al.**

(10) **Patent No.:** **US D634,875 S**

(45) **Date of Patent:** **\*\* Mar. 22, 2011**

(54) **LED STREETLIGHT LAMP**

(75) Inventors: **Wu Jiang**, Sunnyvale, CA (US);  
**Xiantao Yan**, Palo Alto, CA (US); **Min Huang**, Santa Clara, CA (US); **Debo A. Adebisi**, Fremont, CA (US)

(73) Assignee: **LedEngin, Inc.**, Santa Clara, CA (US)

(\*\*) Term: **14 Years**

(21) Appl. No.: **29/364,792**

(22) Filed: **Jun. 28, 2010**

(51) **LOC (9) Cl.** ..... **26-05**

(52) **U.S. Cl.** ..... **D26/71**

(58) **Field of Classification Search** ..... D26/67-71,  
D26/85, 92; 362/145, 183, 231, 240, 249.02,  
362/249.03, 249.04, 249.06, 249.16, 373,  
362/431, 432

See application file for complete search history.

(56) **References Cited**

U.S. PATENT DOCUMENTS

D492,441	S	*	6/2004	Bradford et al.	.....	D26/92
7,329,030	B1	*	2/2008	Wang	.....	362/373
D578,696	S	*	10/2008	Wang et al.	.....	D26/70
D580,582	S	*	11/2008	Fan	.....	D26/71
D599,942	S	*	9/2009	Zheng	.....	D26/71
D615,235	S	*	5/2010	Zheng	.....	D26/71
D615,690	S	*	5/2010	Zheng et al.	.....	D26/71
D616,592	S	*	5/2010	Chen	.....	D26/71
D622,889	S	*	8/2010	Zheng	.....	D26/71
2009/0059605	A1	*	3/2009	Xu et al.	.....	362/373

2009/0244895 A1\* 10/2009 Chen ..... 362/249.02  
2009/0251898 A1\* 10/2009 Kinnune et al. .... 362/249.02  
2009/0268463 A1\* 10/2009 Huang et al. .... 362/249.02

\* cited by examiner

*Primary Examiner* — Clare E Heflin

(74) *Attorney, Agent, or Firm* — Kilpatrick Townsend & Stockton LLP

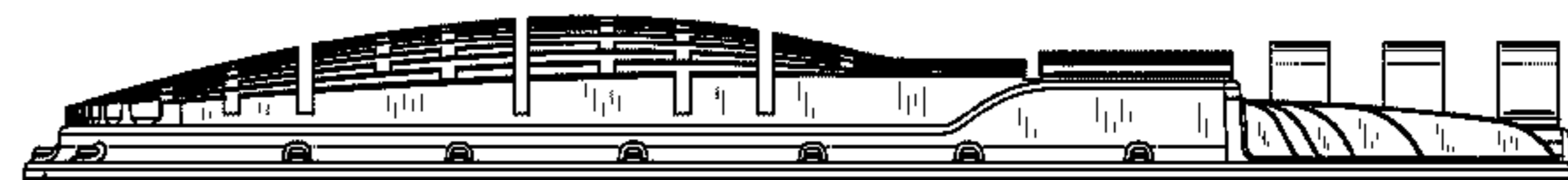
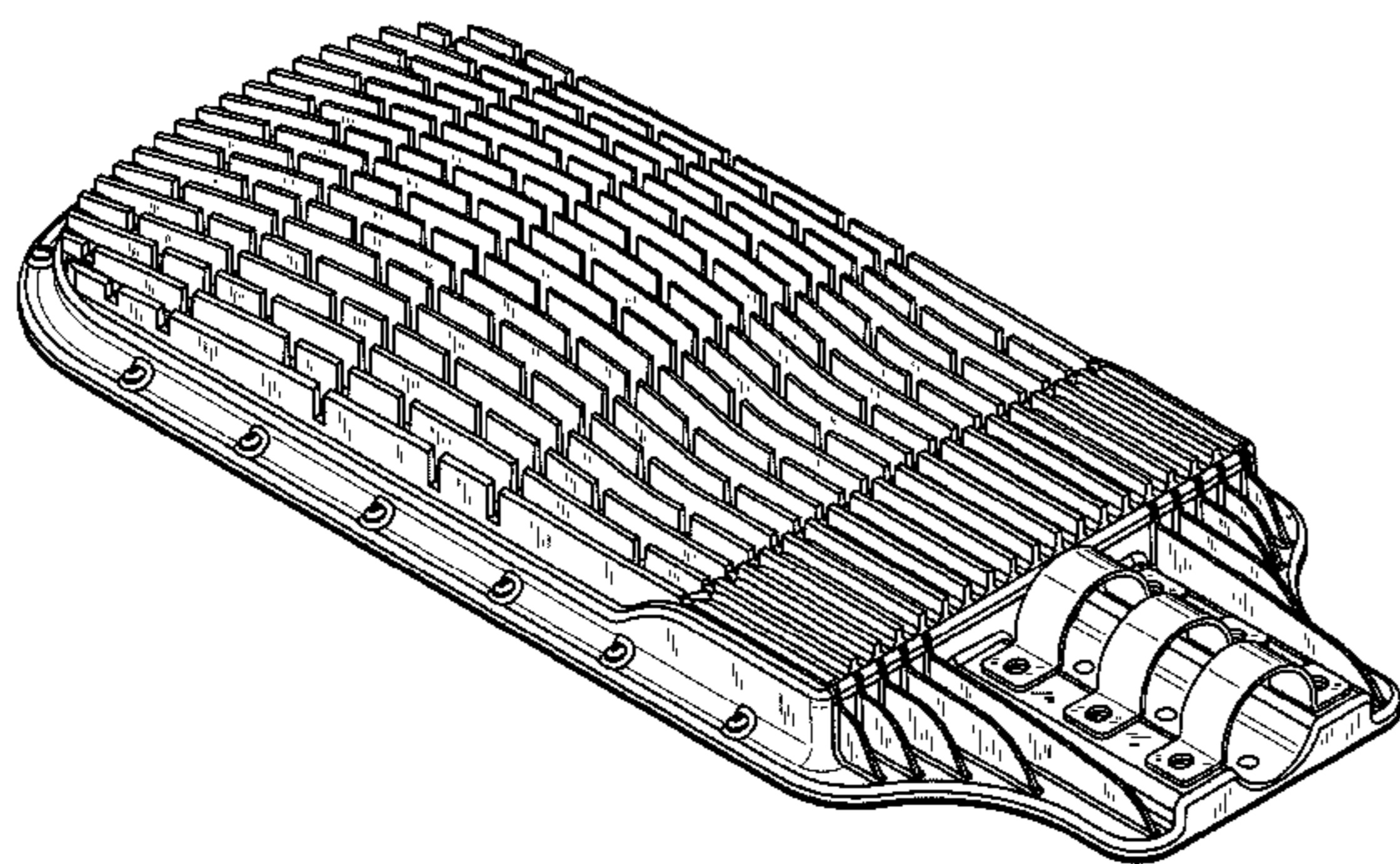
(57) **CLAIM**

The ornamental design for LED streetlight lamp, as shown and described.

**DESCRIPTION**

FIG. 1 is a perspective view of an LED streetlight lamp showing a first embodiment of my new sign;  
FIG. 2 is a top plan view thereof;  
FIG. 3 is a bottom plan view thereof;  
FIG. 4 is a left side elevational view thereof;  
FIG. 5 is a right side elevational view thereof;  
FIG. 6 is a front elevational view thereof;  
FIG. 7 is a rear elevational view thereof;  
FIG. 8 is a perspective view of an LED streetlight lamp showing a second embodiment of my new sign;  
FIG. 9 is a top plan view thereof;  
FIG. 10 is a bottom plan view thereof;  
FIG. 11 is a left side elevational view thereof;  
FIG. 12 is a right side elevational view thereof;  
FIG. 13 is a front elevational view thereof; and,  
FIG. 14 is a rear elevational view thereof.  
The broken lines in FIG. 3 represent unclaimed subject matter and form no part of the claimed design.

**1 Claim, 6 Drawing Sheets**



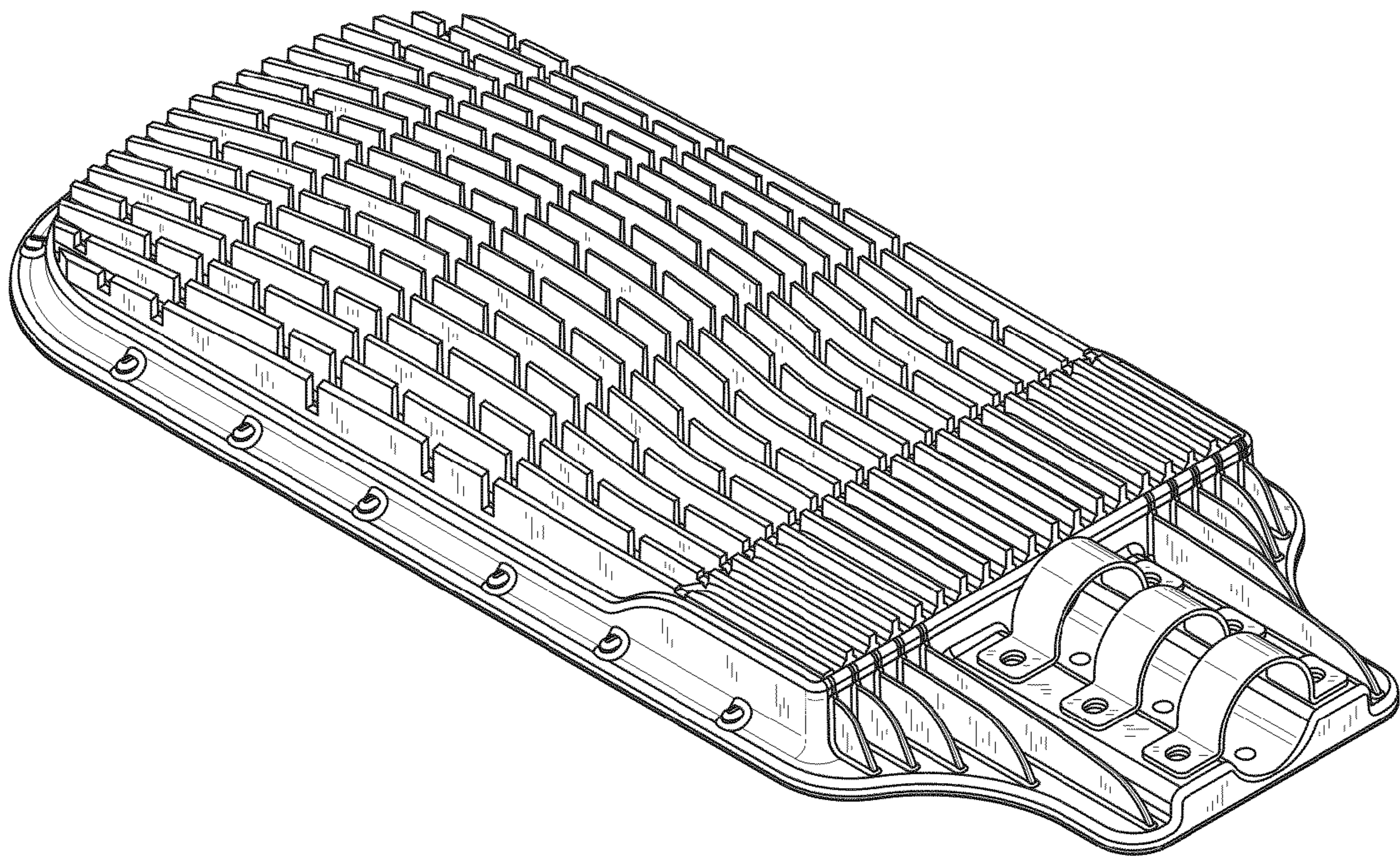


FIG. 1

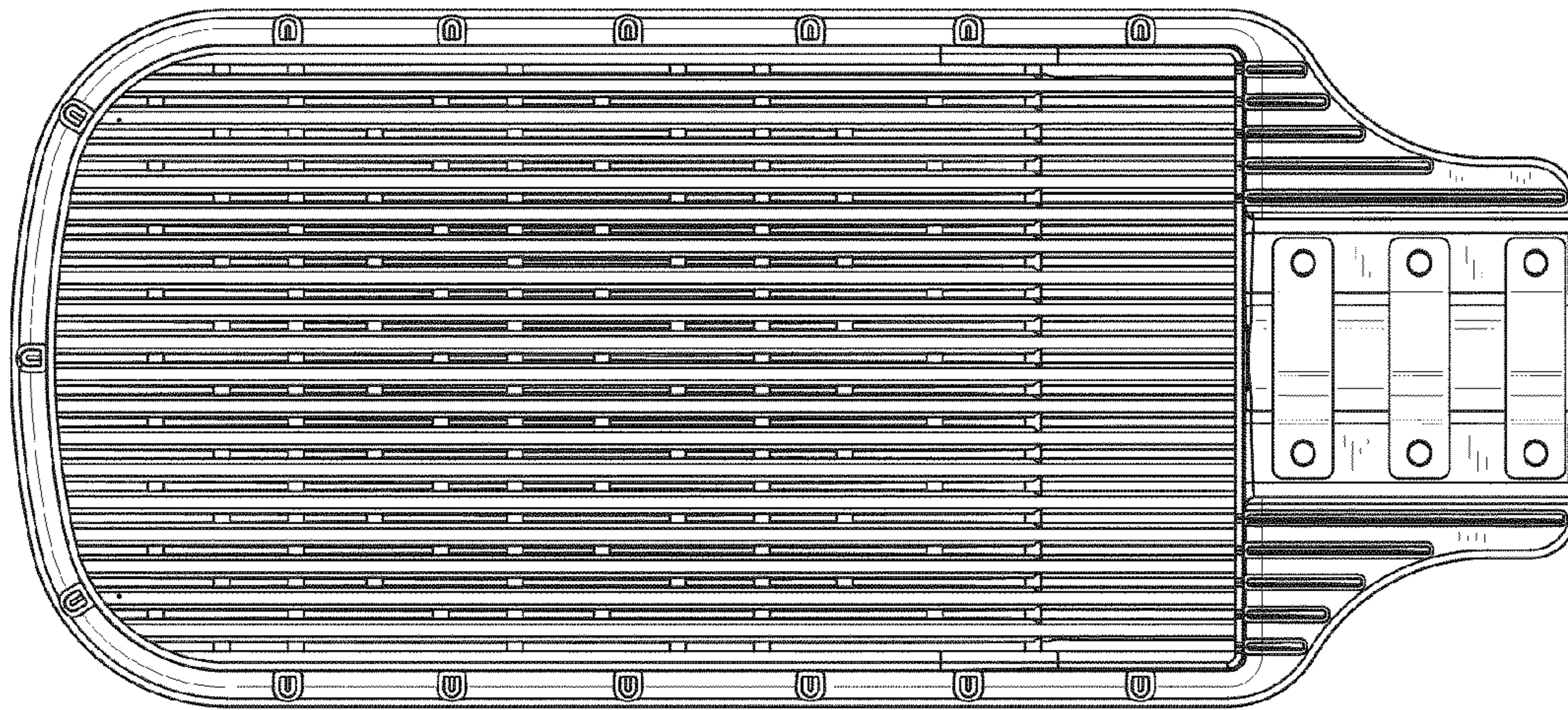


FIG. 2

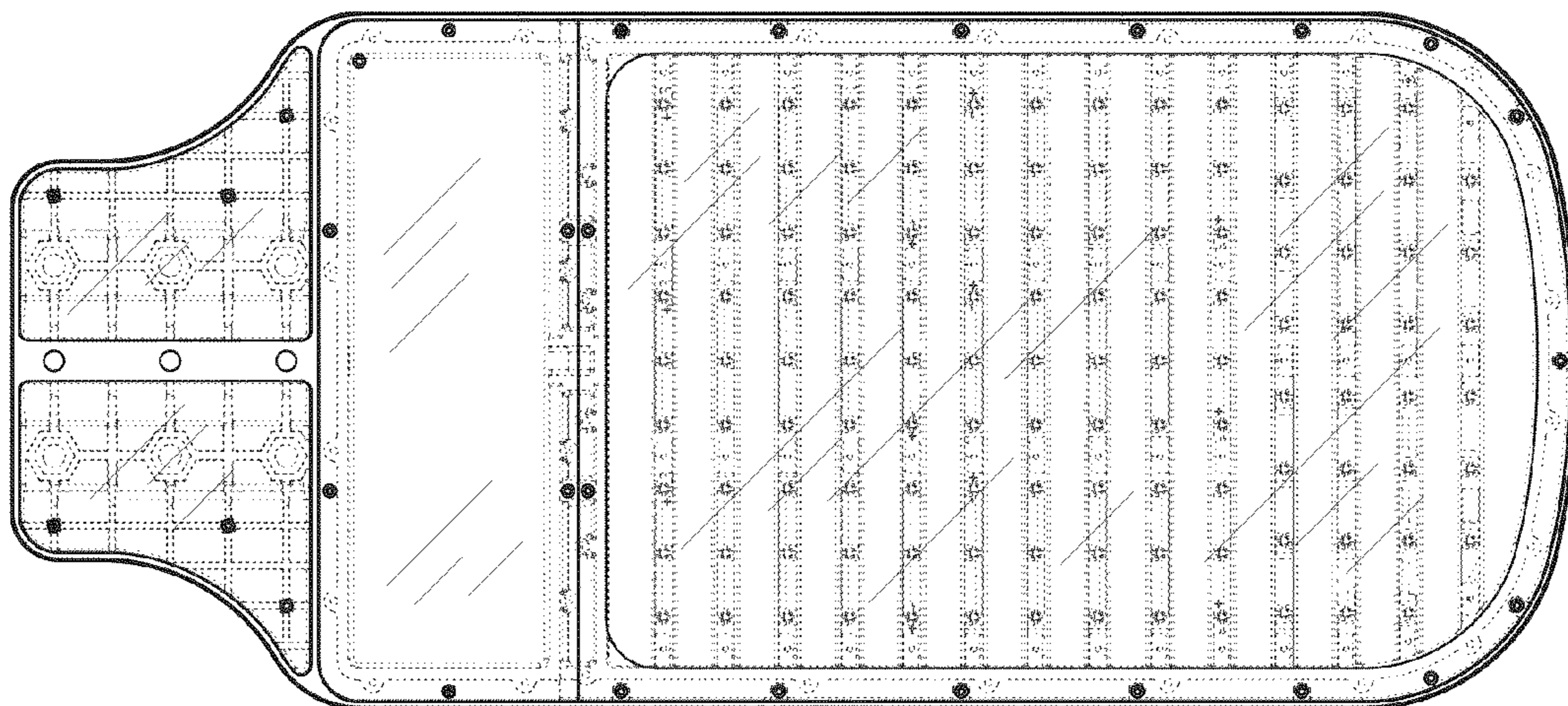


FIG. 3

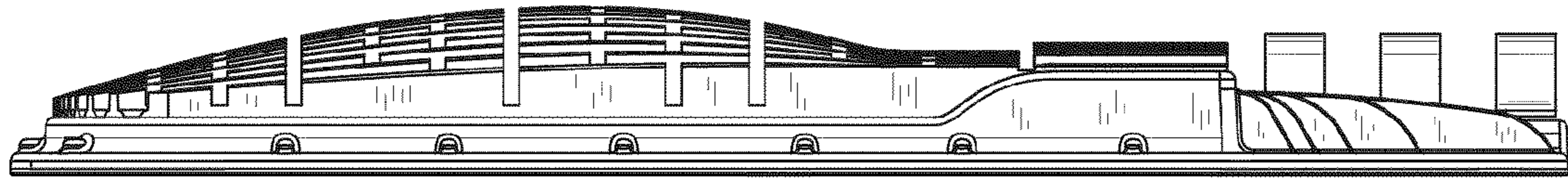


FIG. 4

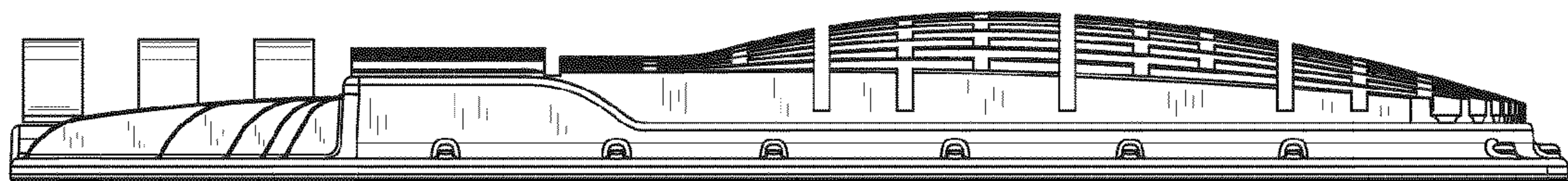


FIG. 5

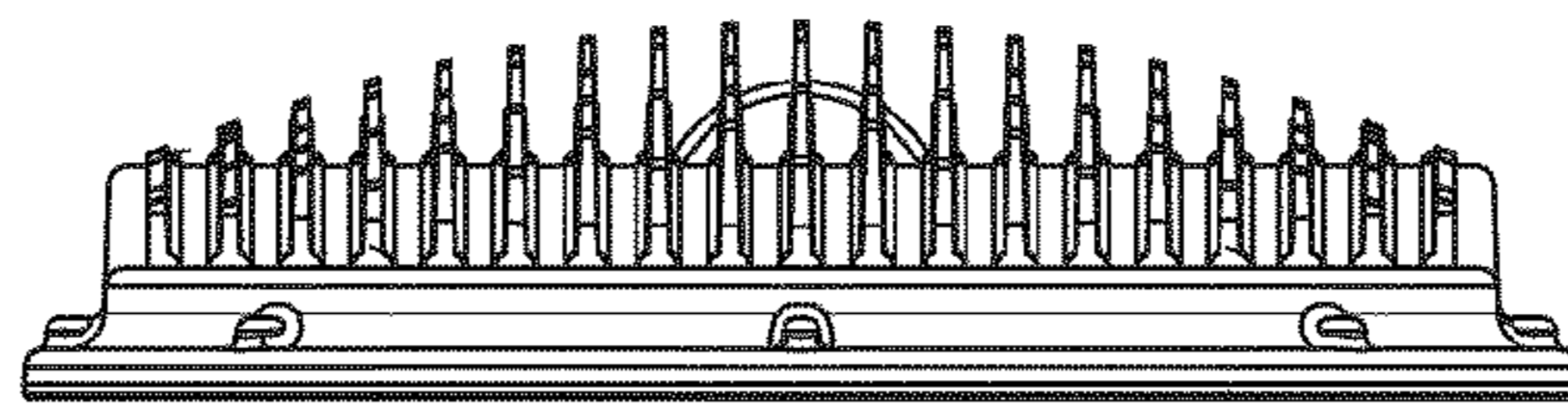


FIG. 6

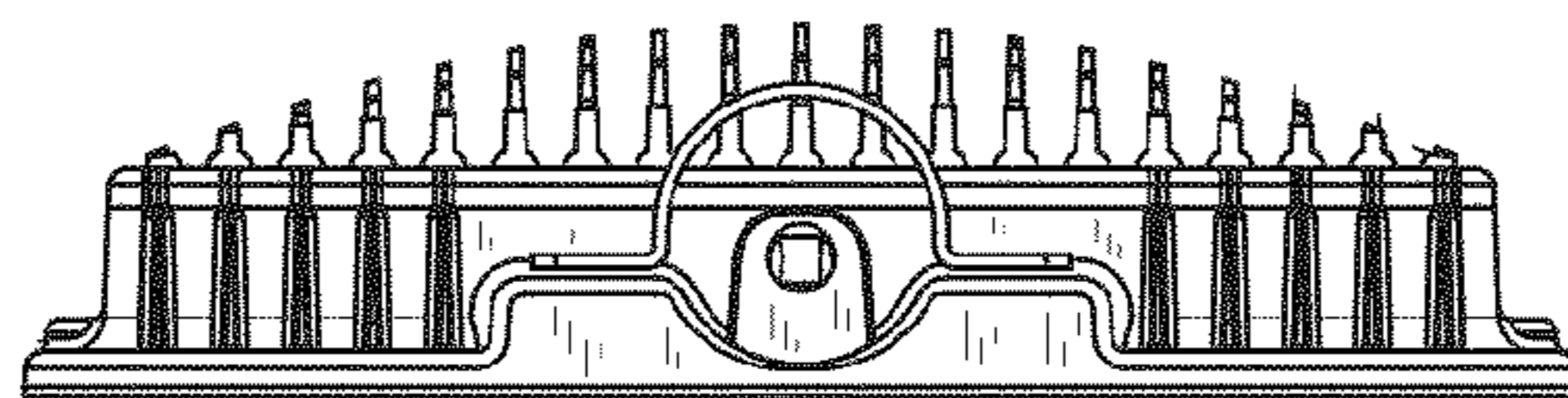


FIG. 7

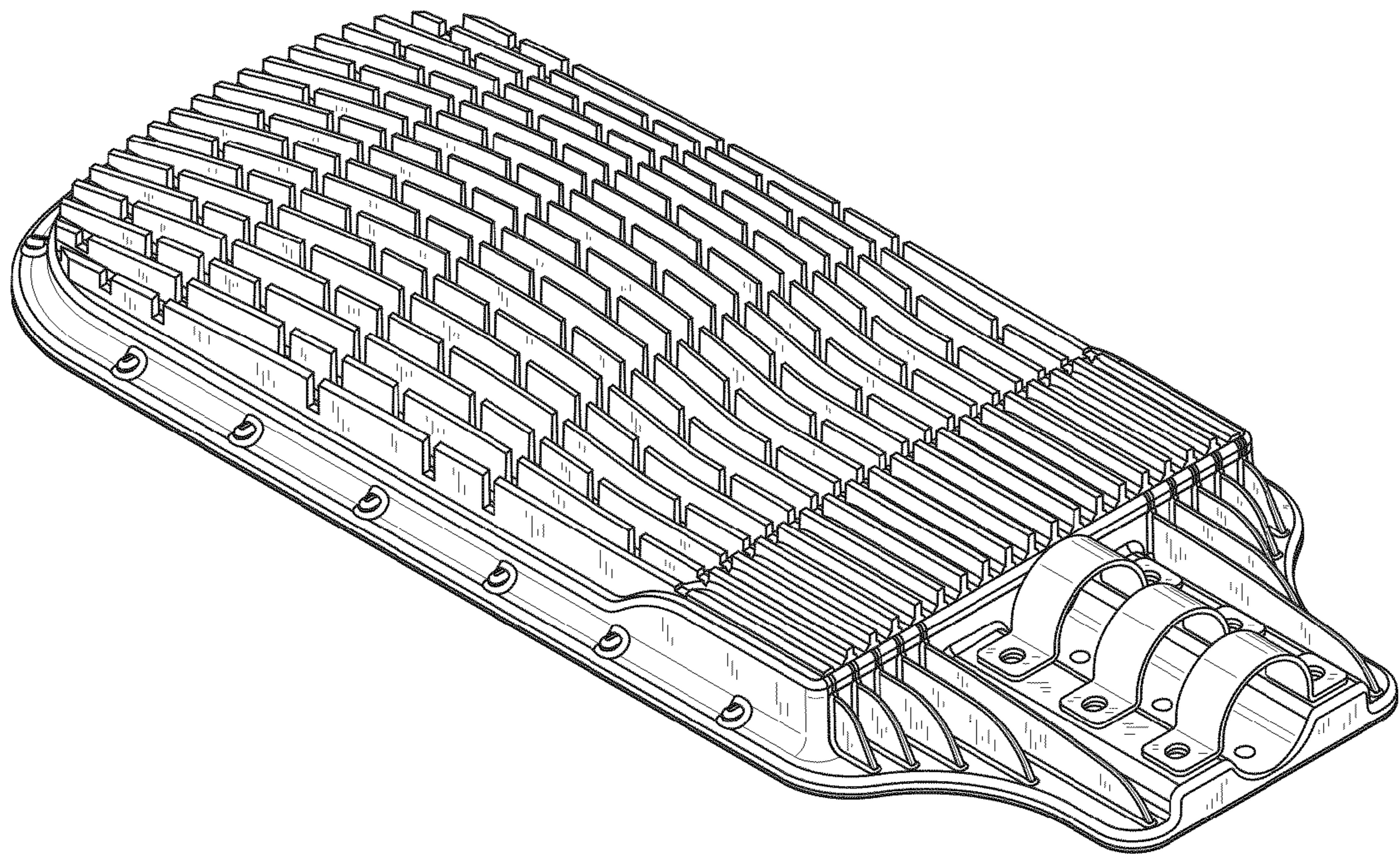


FIG. 8

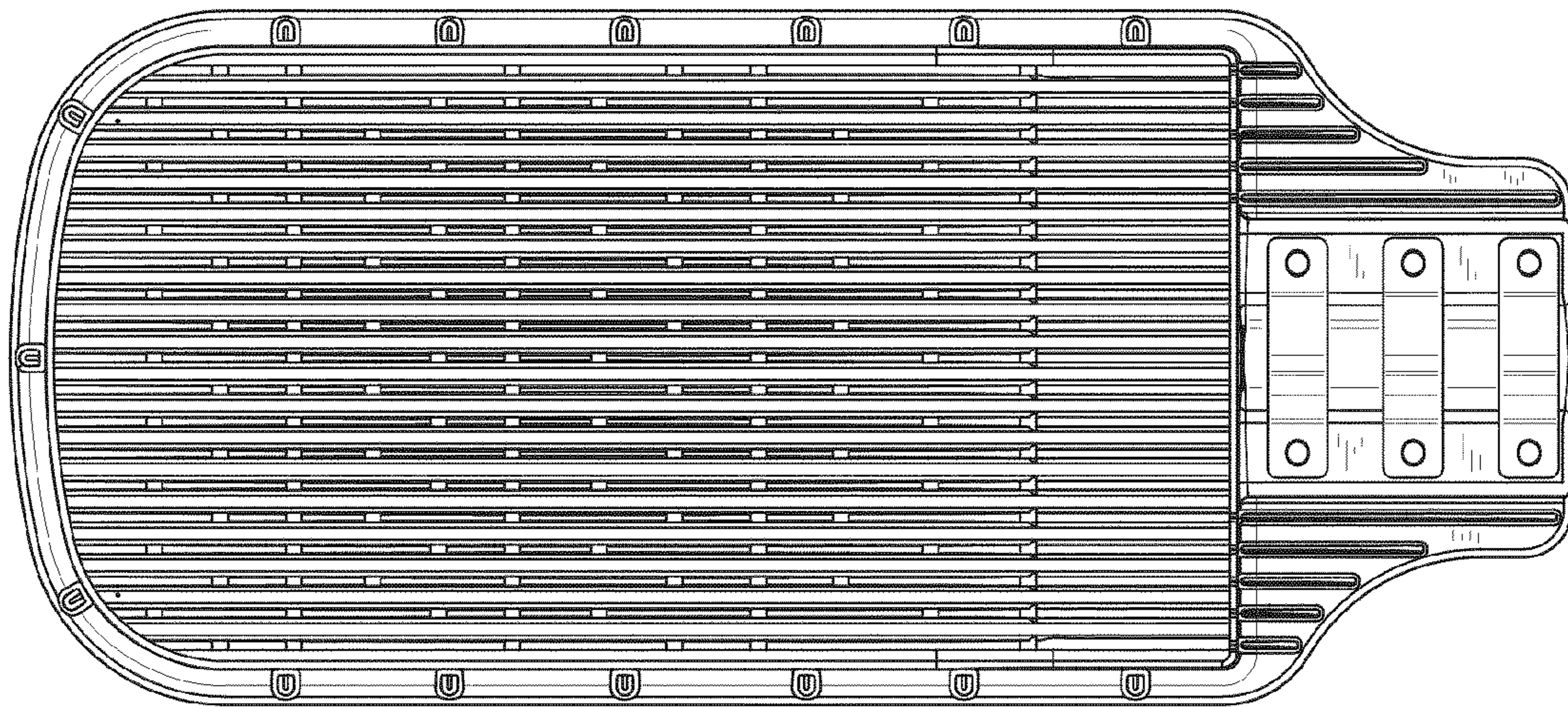


FIG. 9

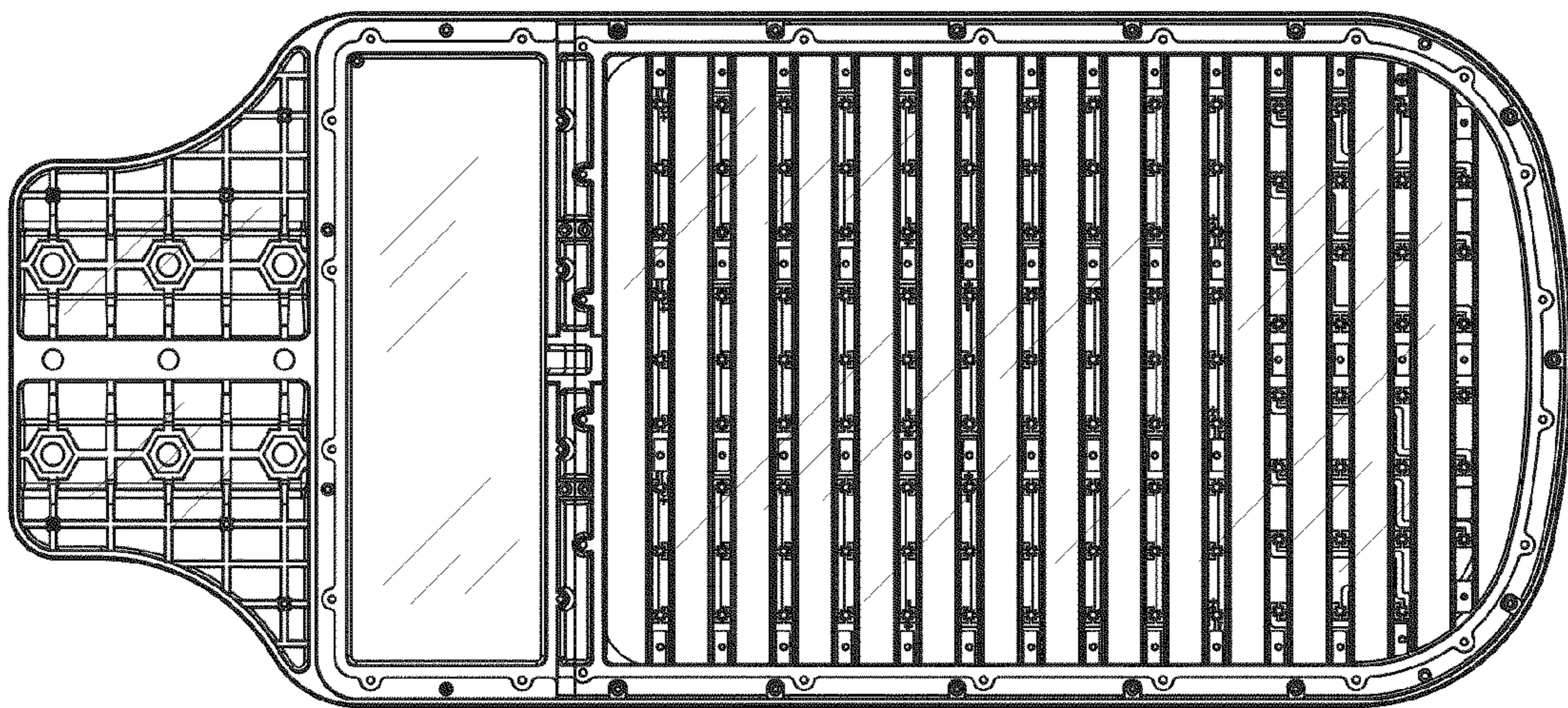


FIG. 10

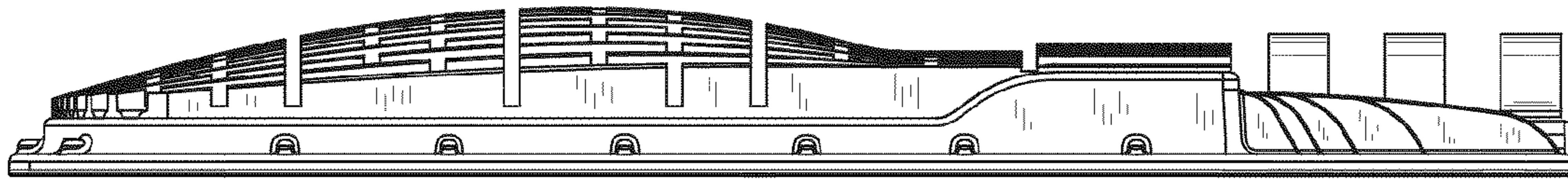


FIG. 11

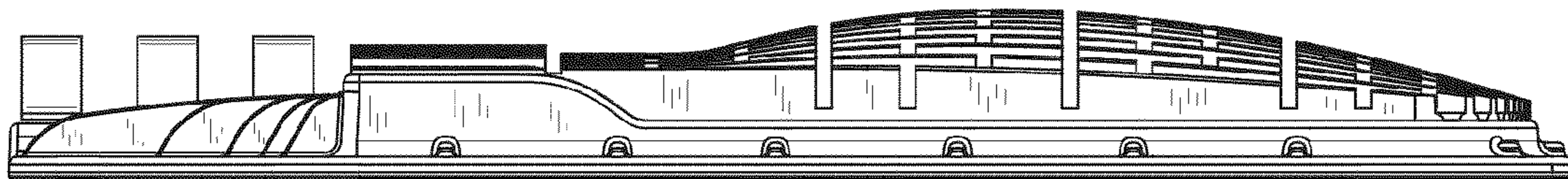


FIG. 12

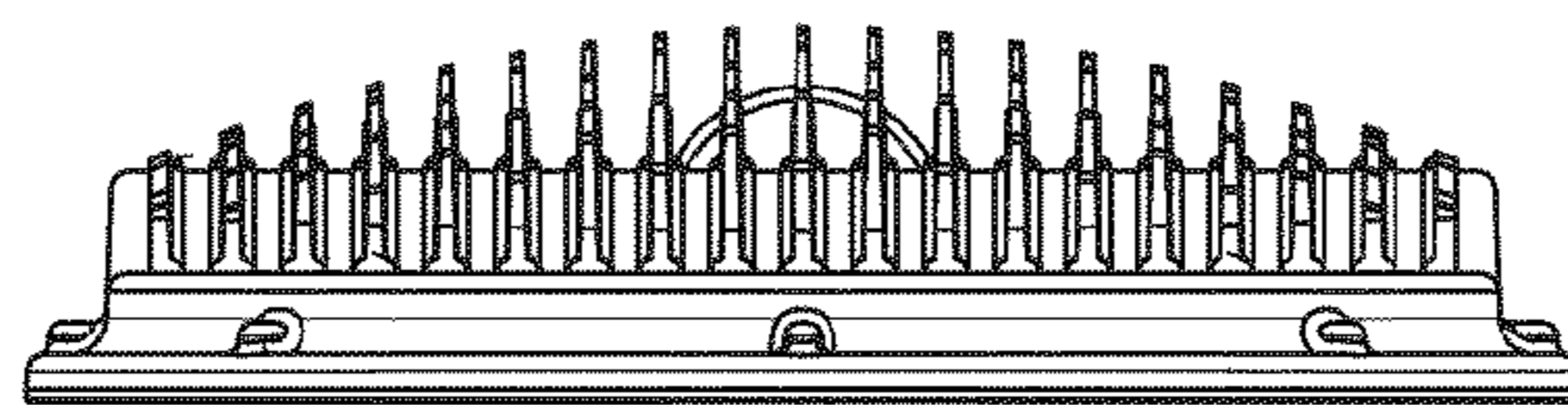


FIG. 13

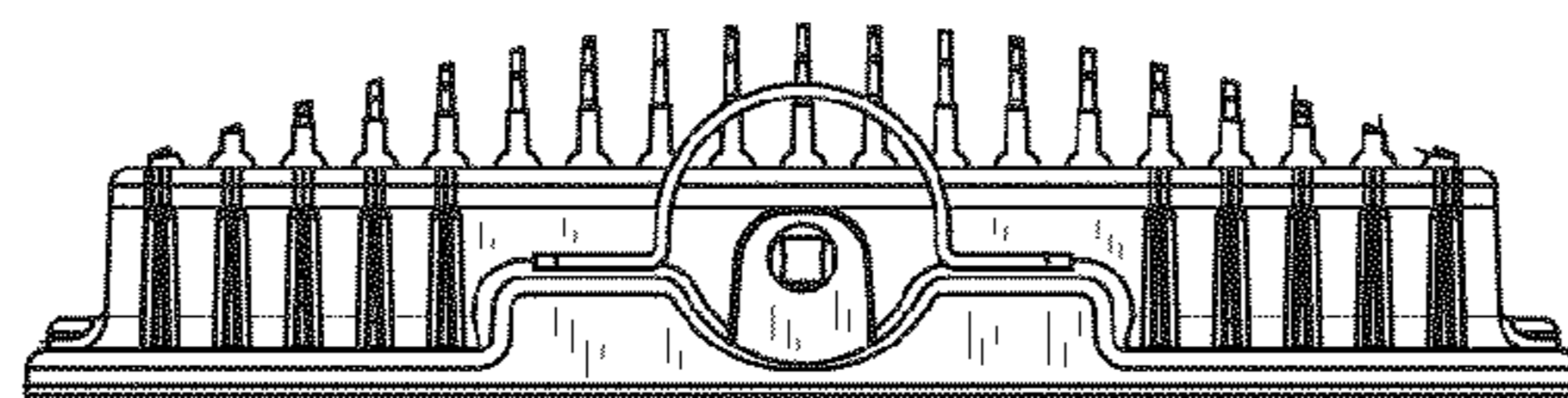


FIG. 14