



US00D634874S

(12) **United States Design Patent**
Yamada et al.

(10) **Patent No.:** **US D634,874 S**
(45) **Date of Patent:** **** Mar. 22, 2011**

(54) **STREETLIGHT**

(75) Inventors: **Hirokazu Yamada**, Kanagawa (JP);
Masahiro Toda, Kanagawa (JP)

(73) Assignees: **Toshiba Lighting & Technology Corporation**, Kanagawa (JP);
Kabushiki Kaisha Toshiba, Tokyo (JP)

(**) Term: **14 Years**

(21) Appl. No.: **29/353,138**

(22) Filed: **Jan. 4, 2010**

(30) **Foreign Application Priority Data**

Jul. 8, 2009 (JP) 2009-015510

(51) **LOC (9) Cl.** **26-05**

(52) **U.S. Cl.** **D26/71**

(58) **Field of Classification Search** D26/67-71,
D26/85, 92; 362/145, 183, 231, 240, 249.02,
362/249.03, 249.04, 249.06, 249.16, 373,
362/431, 432

See application file for complete search history.

(56) **References Cited**

U.S. PATENT DOCUMENTS

D171,952 S * 4/1954 Pettengill D26/71
2,916,609 A * 12/1959 Freier et al. 362/374
D191,129 S * 8/1961 Rodriguez et al. D26/71
D192,041 S * 1/1962 Izzi D26/71

D192,260 S * 2/1962 Fahey D26/71
D198,812 S * 8/1964 Pettengill D26/71
D203,294 S * 12/1965 Clanca D26/71
D568,524 S * 5/2008 Sandell D26/85
D609,383 S * 2/2010 Chang D26/71
D615,233 S * 5/2010 Josefowicz et al. D26/71
2009/0103300 A1 * 4/2009 Chang 362/249.02

FOREIGN PATENT DOCUMENTS

JP 947508 2/1996
JP 992276 10/1997
JP 992277 10/1997
JP 992278 10/1997
JP 1336580 7/2008

* cited by examiner

Primary Examiner — Clare E Heflin

(74) *Attorney, Agent, or Firm* — J.C. Patents

(57) **CLAIM**

The ornamental design for a streetlight, as shown and described.

DESCRIPTION

FIG. 1 is a perspective view of a streetlight showing our new design;

FIG. 2 is a front view thereof, the rear view being a mirror image of the front view;

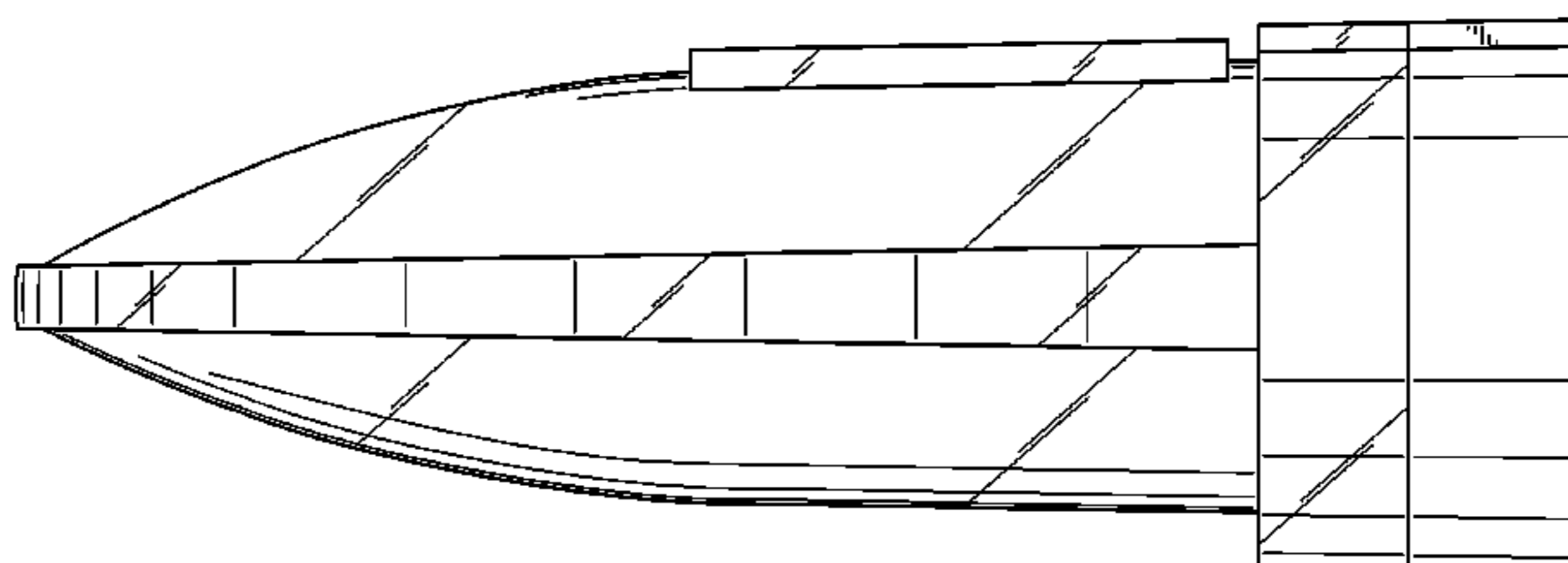
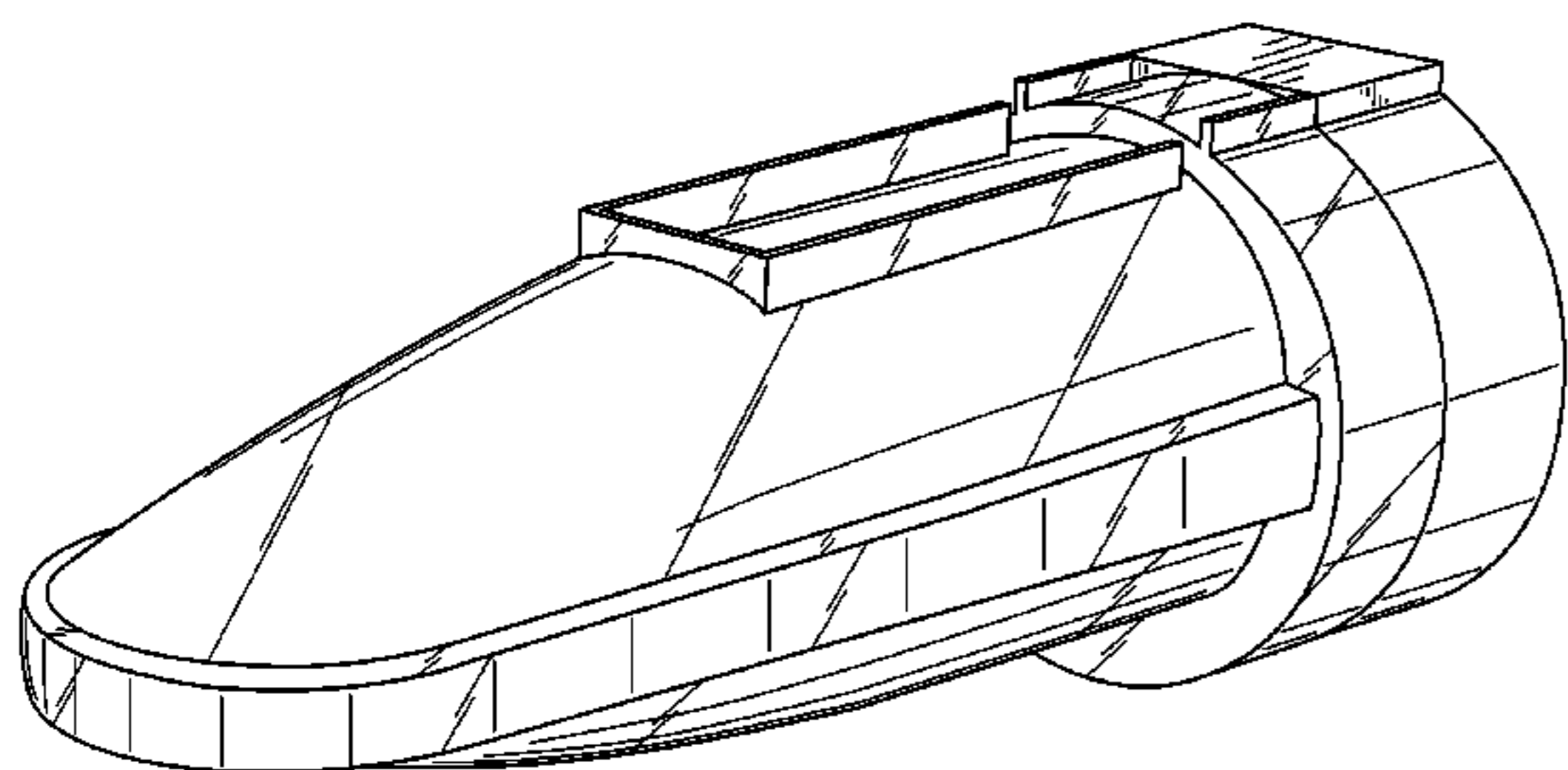
FIG. 3 is a left side view thereof;

FIG. 4 is a right side view thereof;

FIG. 5 is a top view thereof; and,

FIG. 6 is a bottom view thereof.

1 Claim, 6 Drawing Sheets



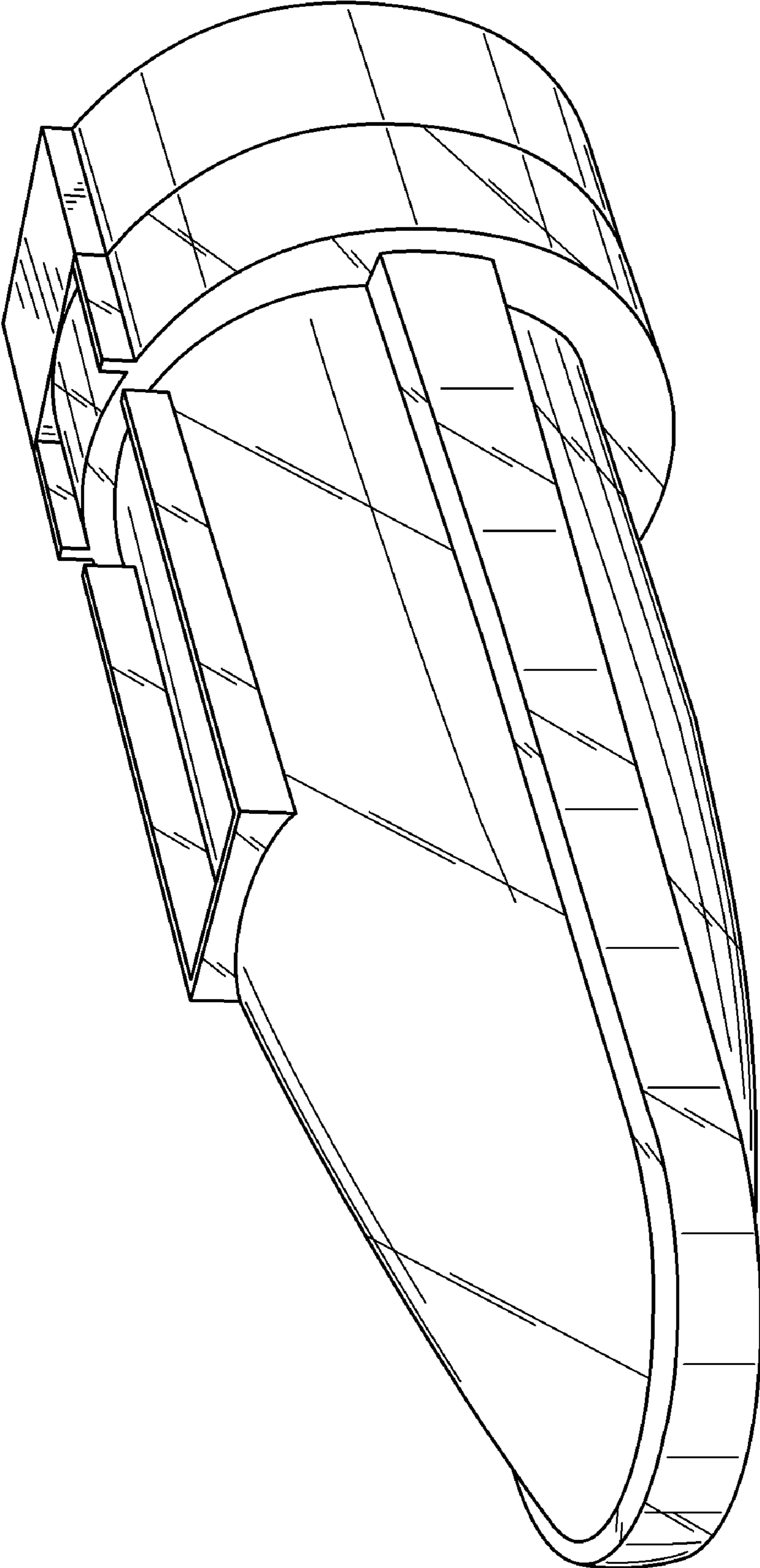


FIG. 1

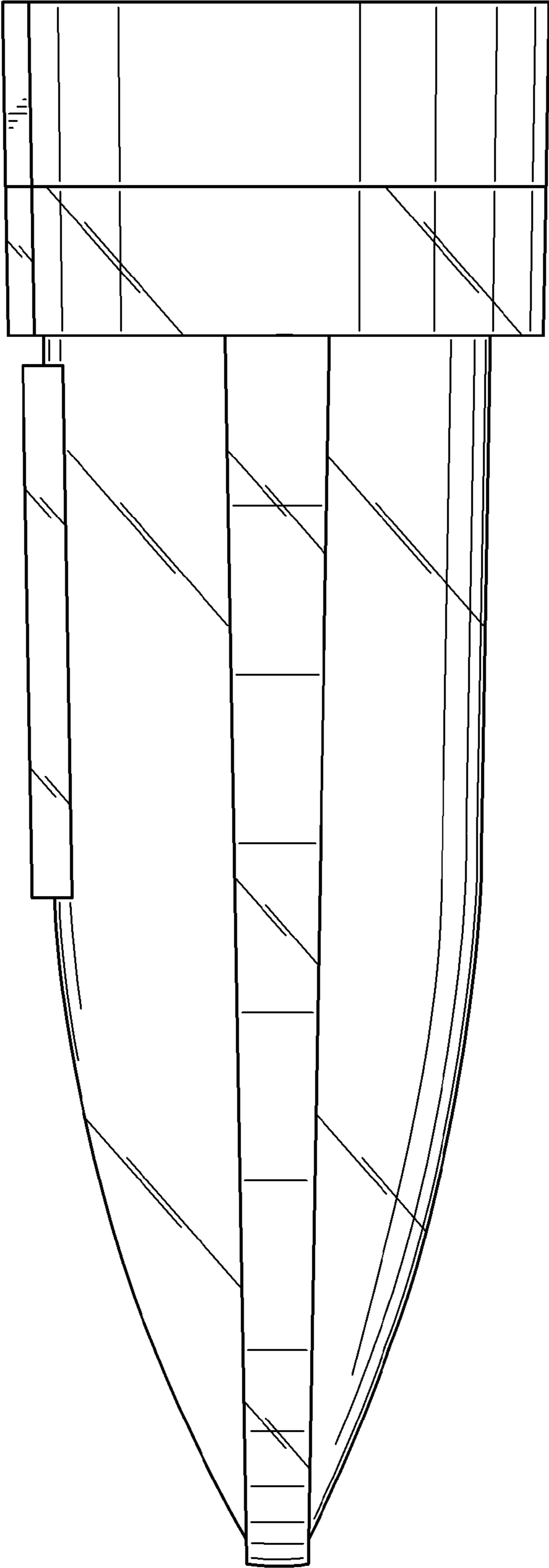


FIG. 2

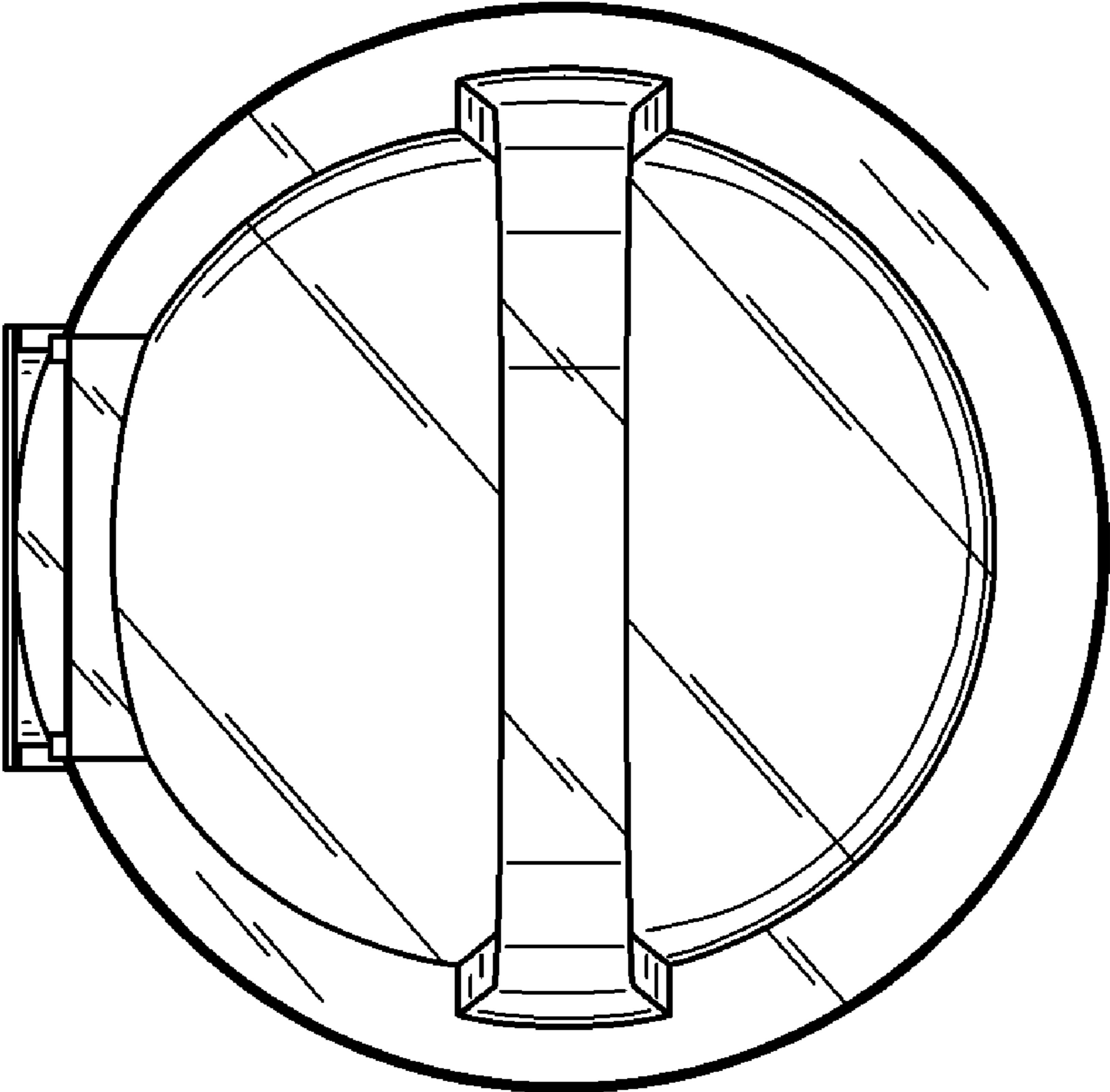


FIG. 3

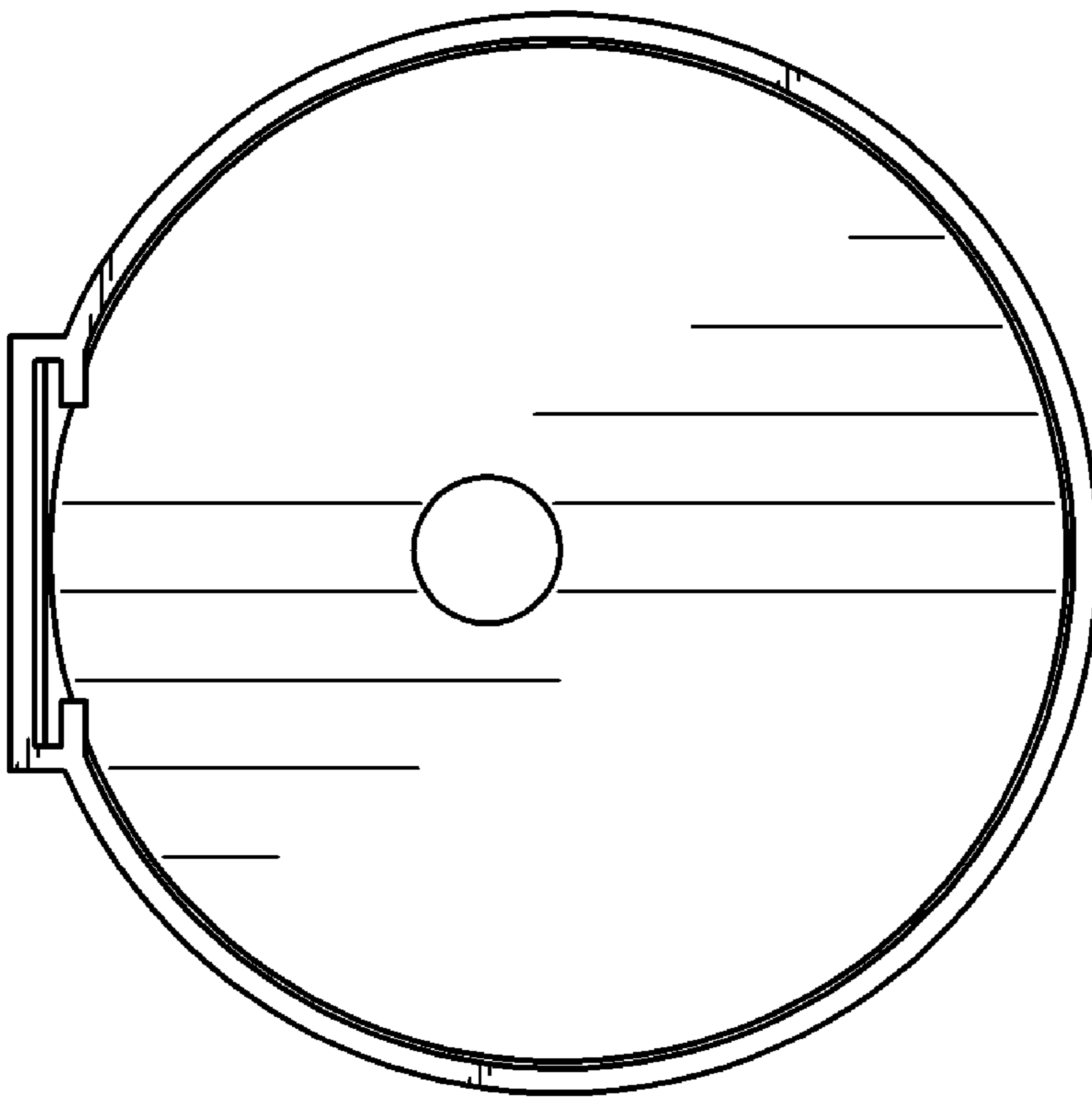


FIG. 4

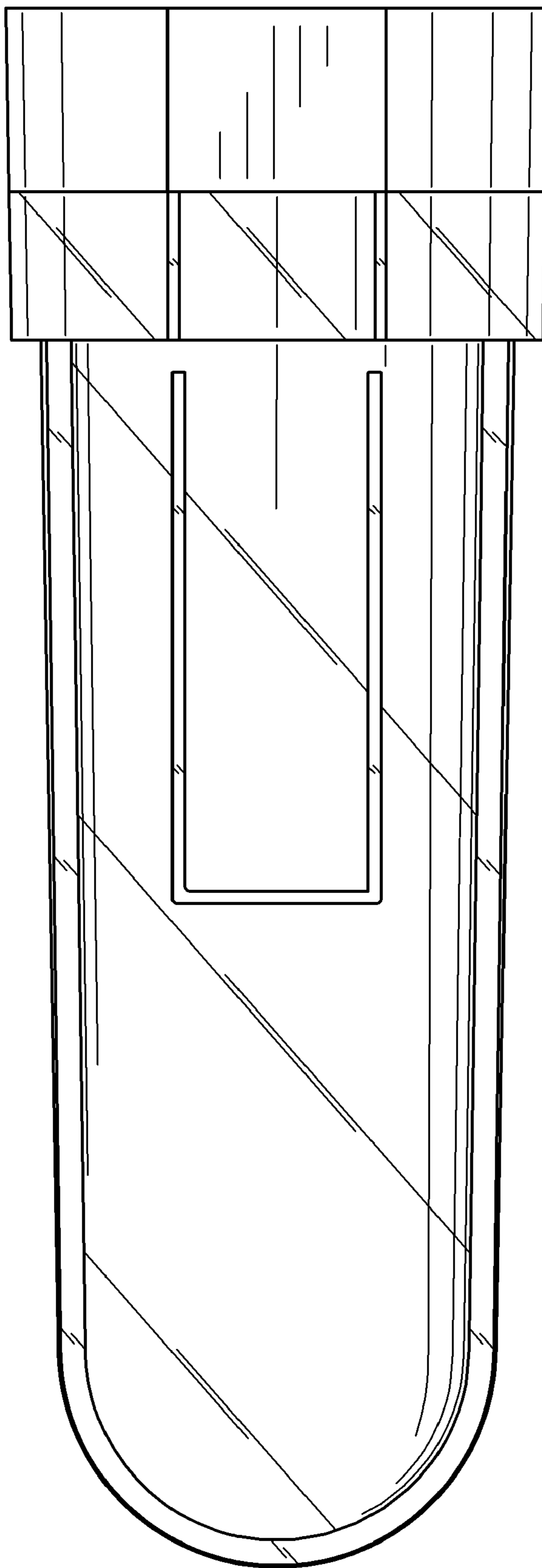


FIG. 5

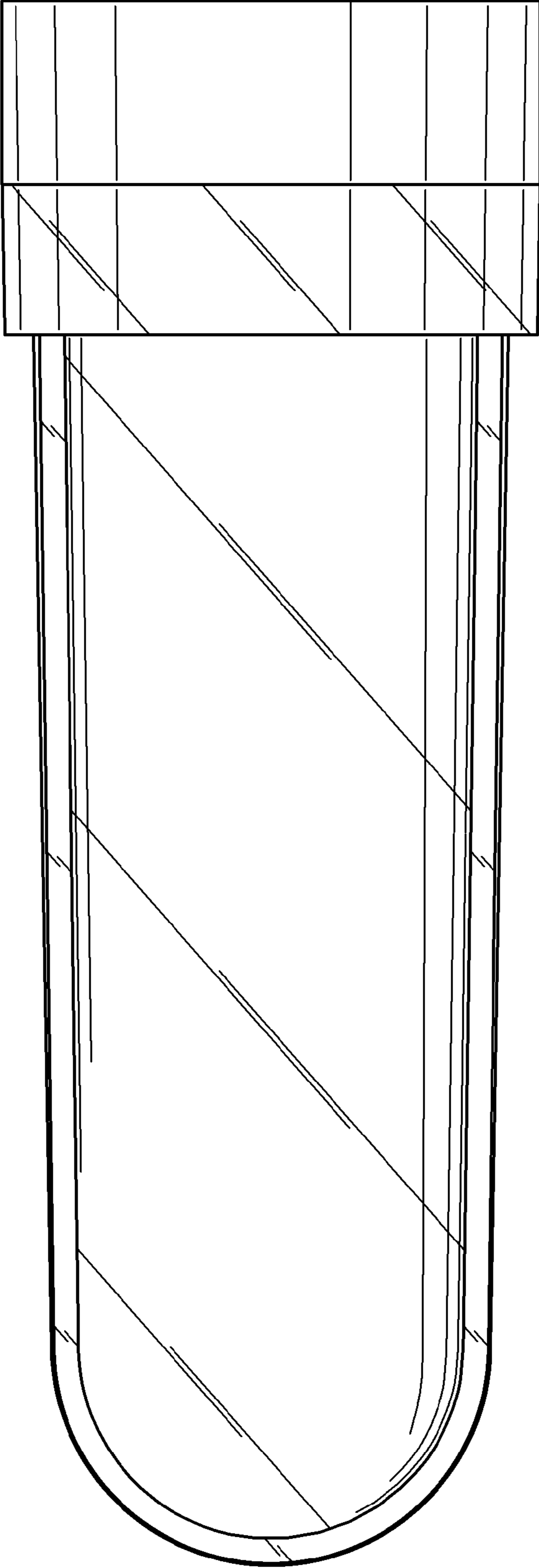


FIG. 6