



US00D634871S

(12) **United States Design Patent**  
**WooH**

(10) **Patent No.:** **US D634,871 S**  
(45) **Date of Patent:** **\*\* Mar. 22, 2011**

(54) **LED LIGHTING APPARATUS**

(75) Inventor: **Moon Suck WooH**, Seoul (KR)

(73) Assignee: **IPC Korea Co., Ltd.**, Gyeonggi-do (KR)

(\*\*) Term: **14 Years**

(21) Appl. No.: **29/361,131**

(22) Filed: **May 6, 2010**

(51) **LOC (9) Cl.** ..... **26-05**

(52) **U.S. Cl.** ..... **D26/63**

(58) **Field of Classification Search** ..... D26/61-66,  
D26/72; 362/147, 648, 269-271, 277, 278,  
362/282-285, 287, 289, 311.02, 311.13,  
362/404, 418, 427, 800, 430

See application file for complete search history.

(56) **References Cited**

**U.S. PATENT DOCUMENTS**

D279,928 S *	7/1985	McNabb et al.	.....	D26/63
D385,373 S *	10/1997	Wong	.....	D26/63
D425,232 S *	5/2000	Chang	.....	D26/63
D587,833 S *	3/2009	Bina et al.	.....	D26/63
D606,690 S *	12/2009	Orrom et al.	.....	D26/61

\* cited by examiner

*Primary Examiner* — Philip S Hyder

*Assistant Examiner* — Linda G. Brooks

(74) *Attorney, Agent, or Firm* — Ladas & Parry LLP

(57) **CLAIM**

The ornamental design for a LED lighting apparatus, as shown and described.

**DESCRIPTION**

FIG. 1 is a perspective view of the LED lighting apparatus; FIG. 2 is a front view thereof; FIG. 3 is a rear view thereof; FIG. 4 is a left side elevation view thereof and the right side elevation view is a mirror image of the left side elevation view; FIG. 5 is a top plan view thereof; FIG. 6 is a bottom plan view thereof; FIG. 7 is a perspective view thereof, shown with environmental structure in broken lines that form no part of the claimed design; and, FIG. 8 is another perspective view thereof, shown with different environmental structure in broken lines that form no part of the claimed design.

**1 Claim, 8 Drawing Sheets**

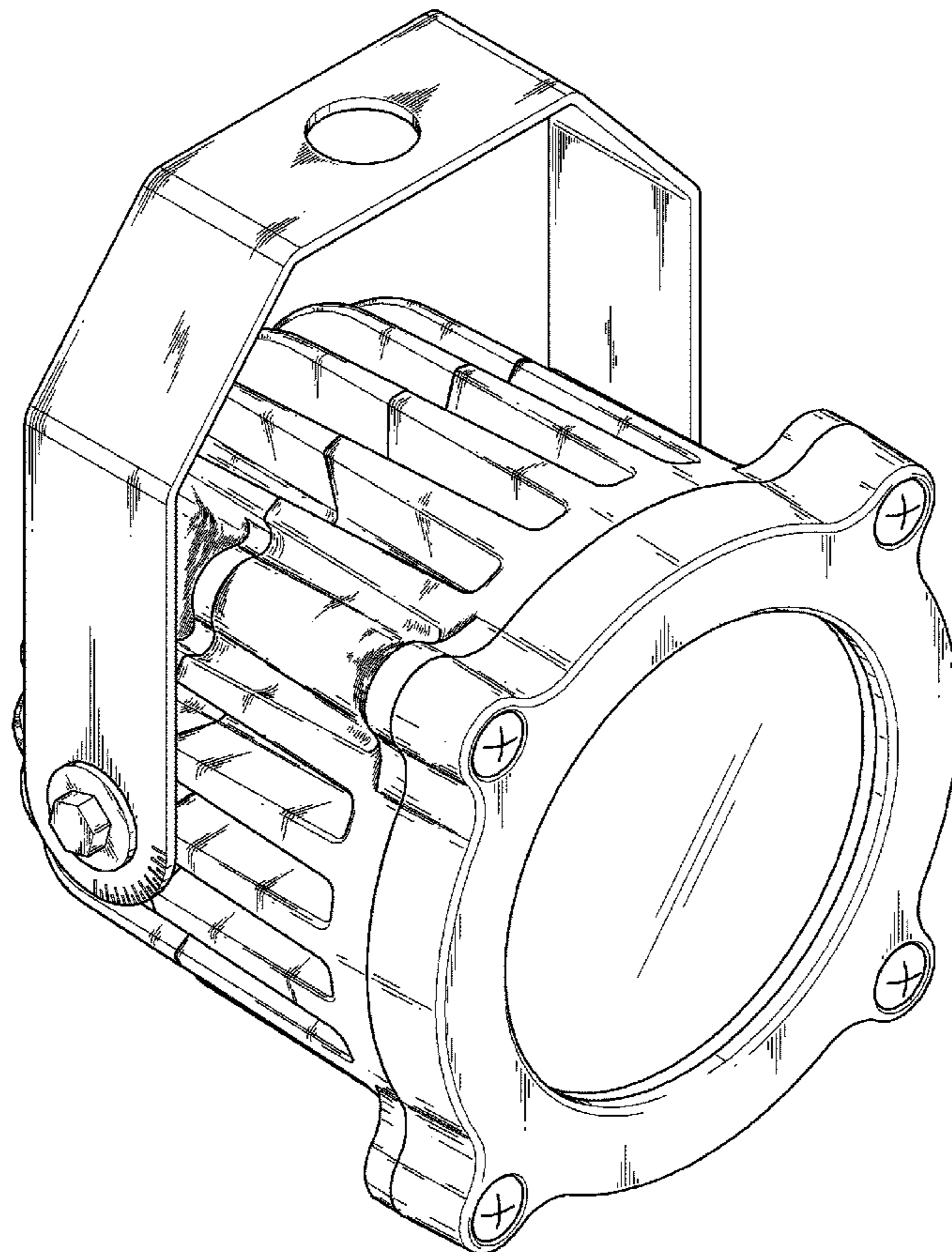


FIG. 1

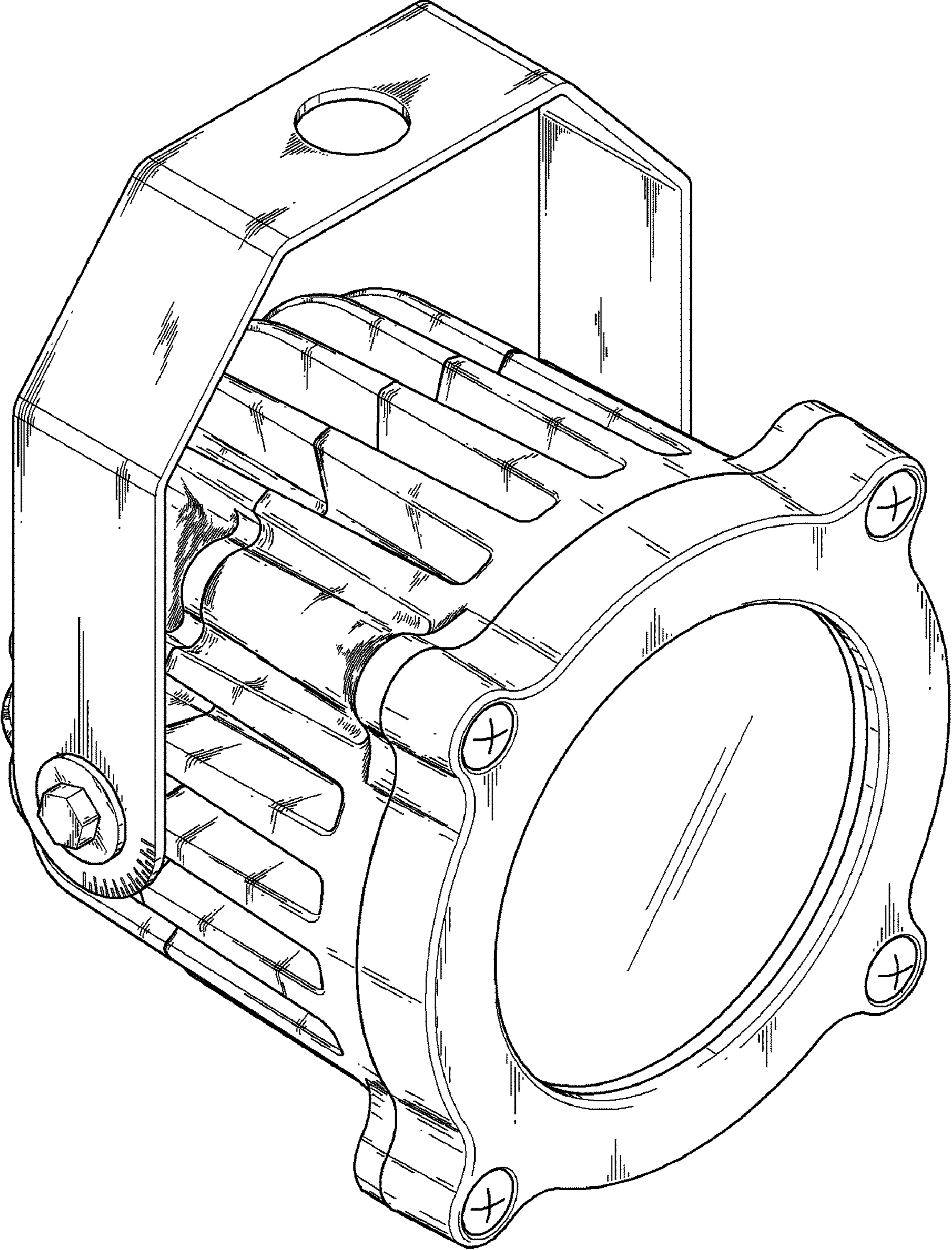


FIG. 2

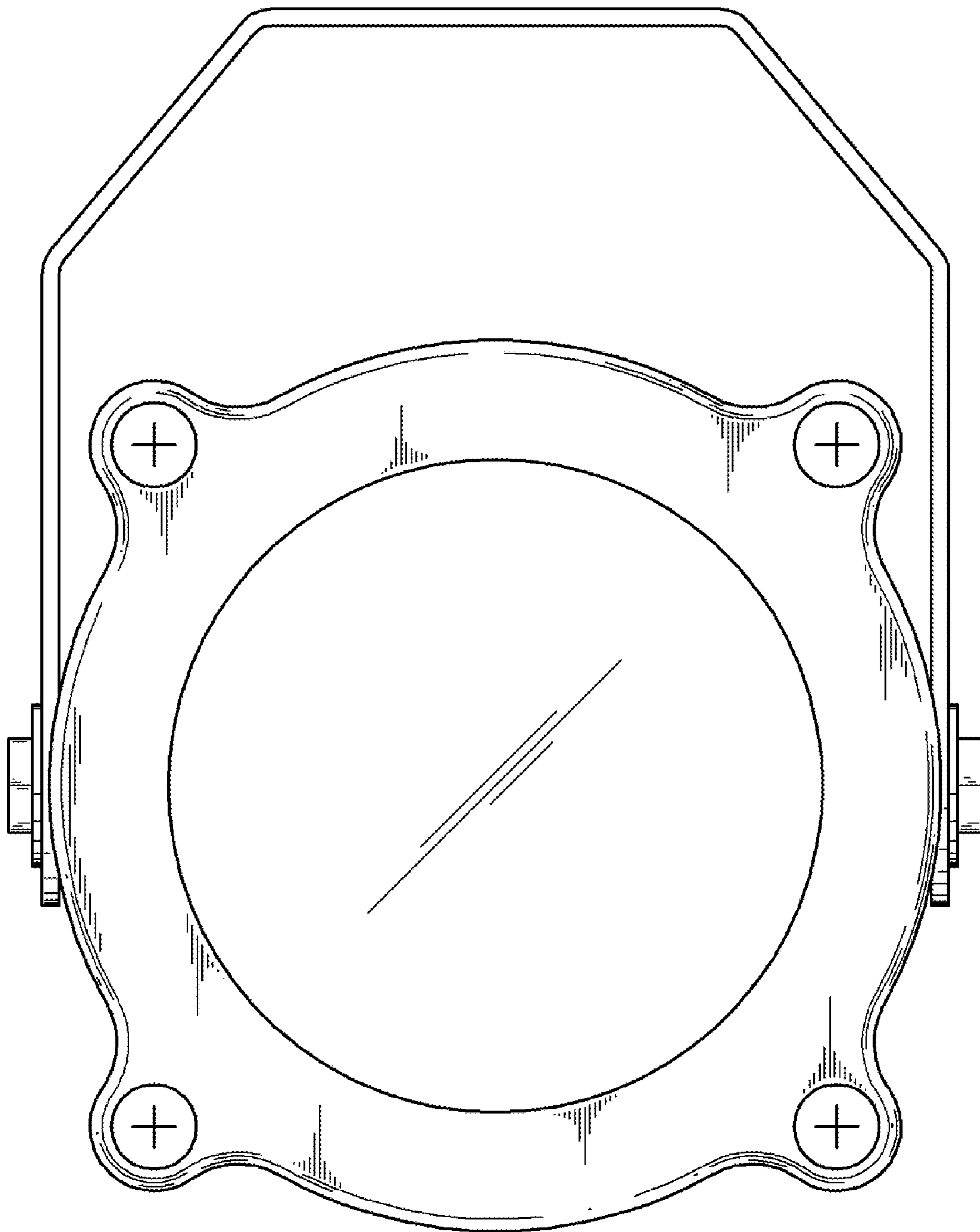




FIG. 3

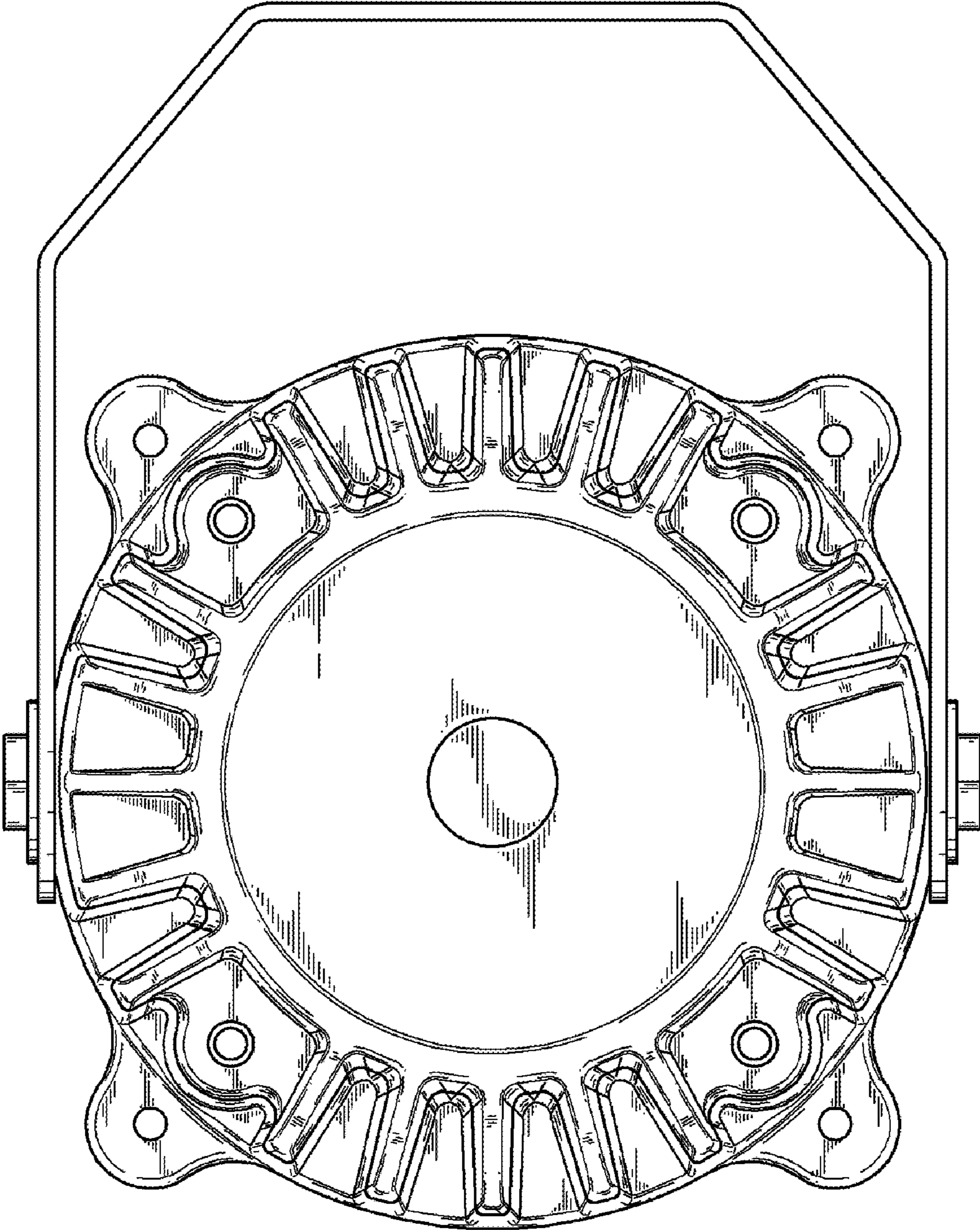


FIG. 4

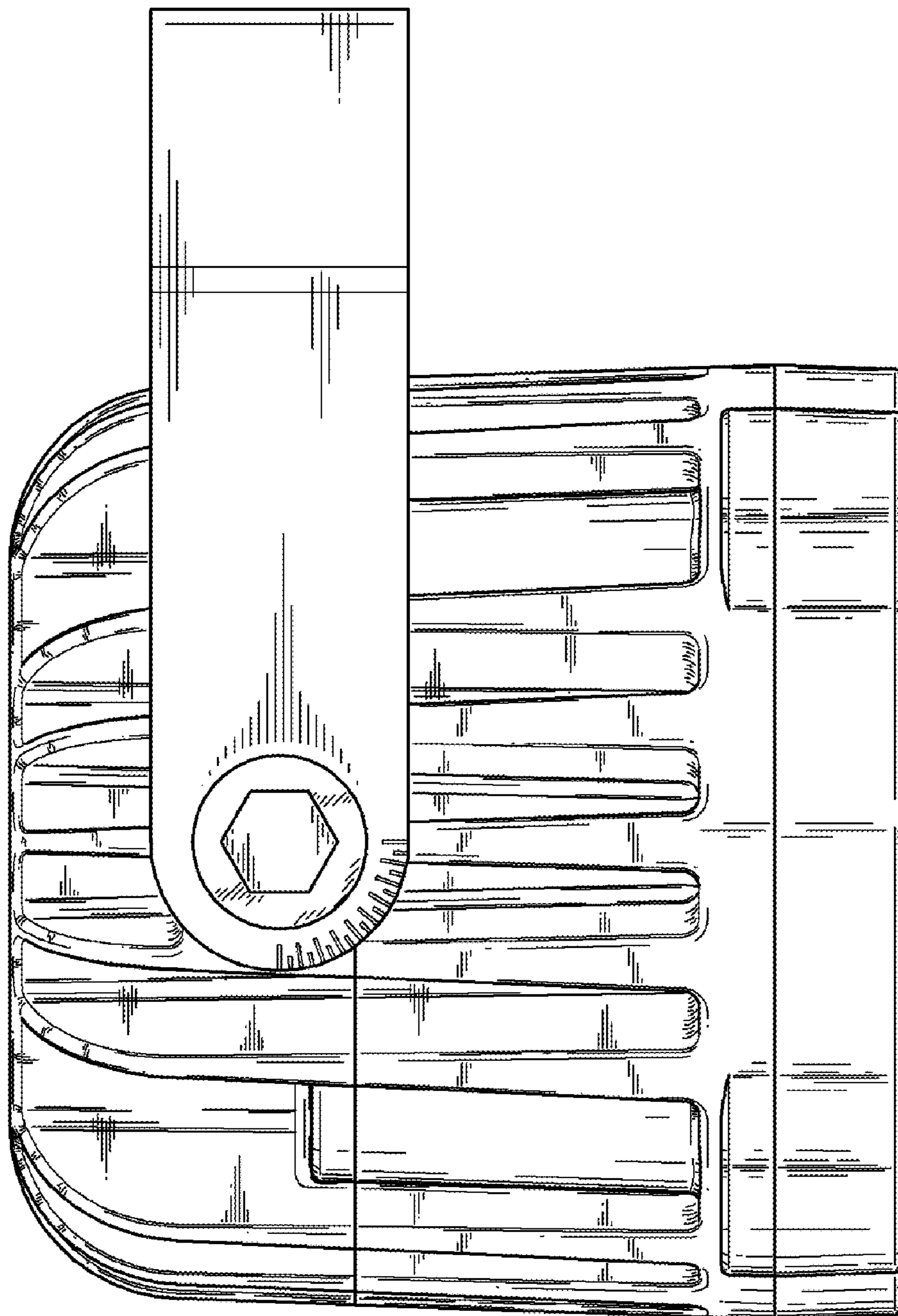


FIG. 5

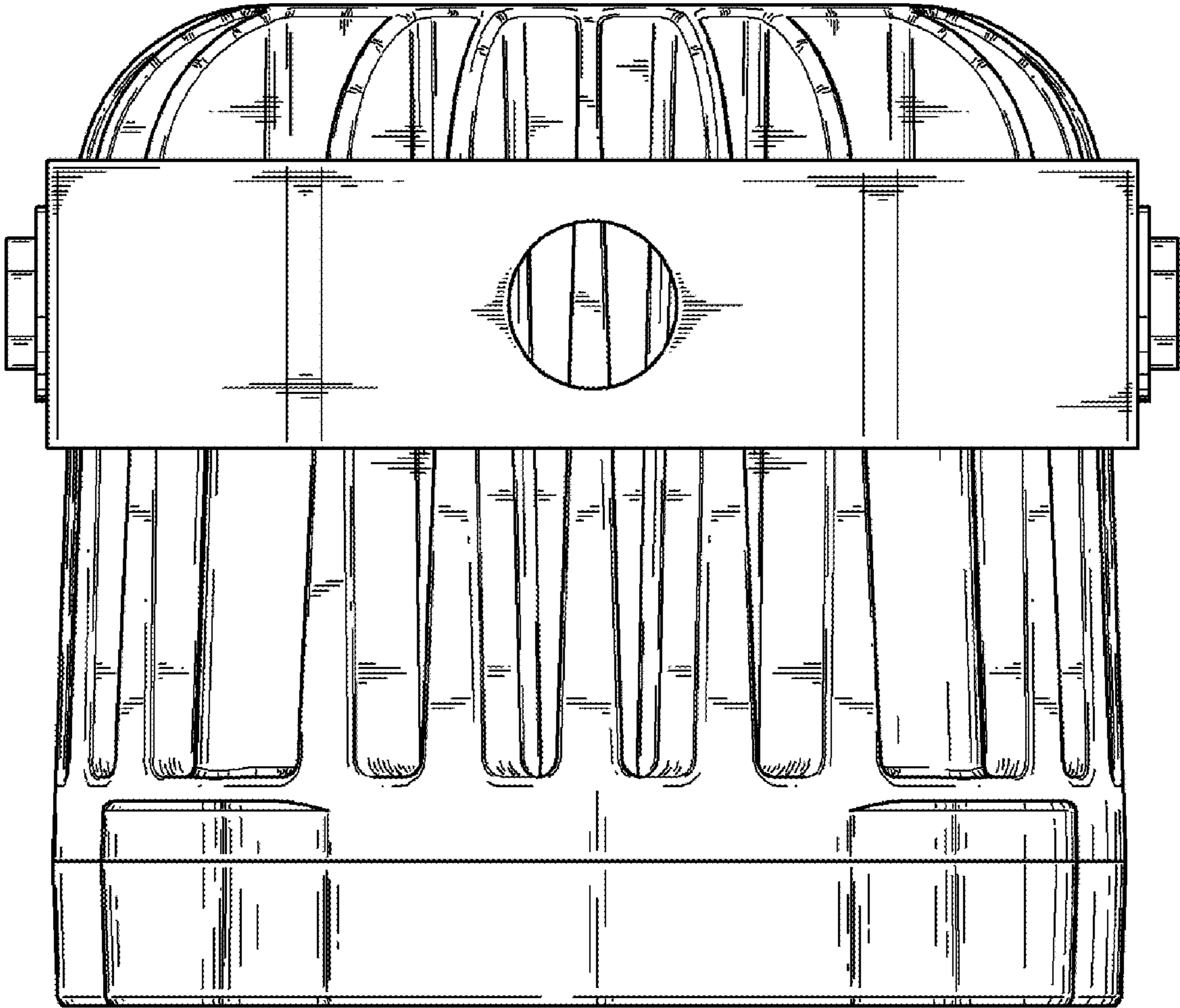


FIG. 6

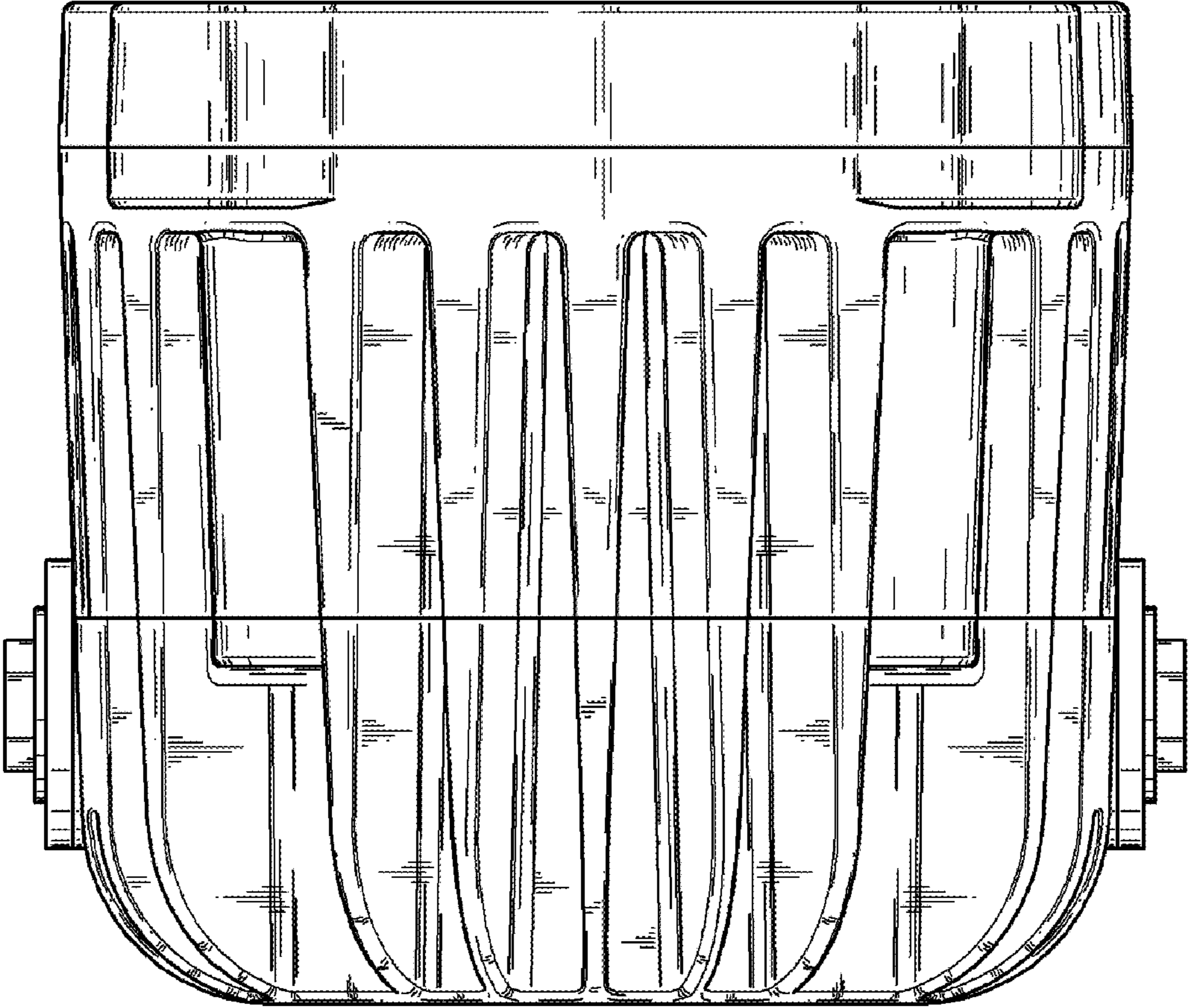




FIG. 7

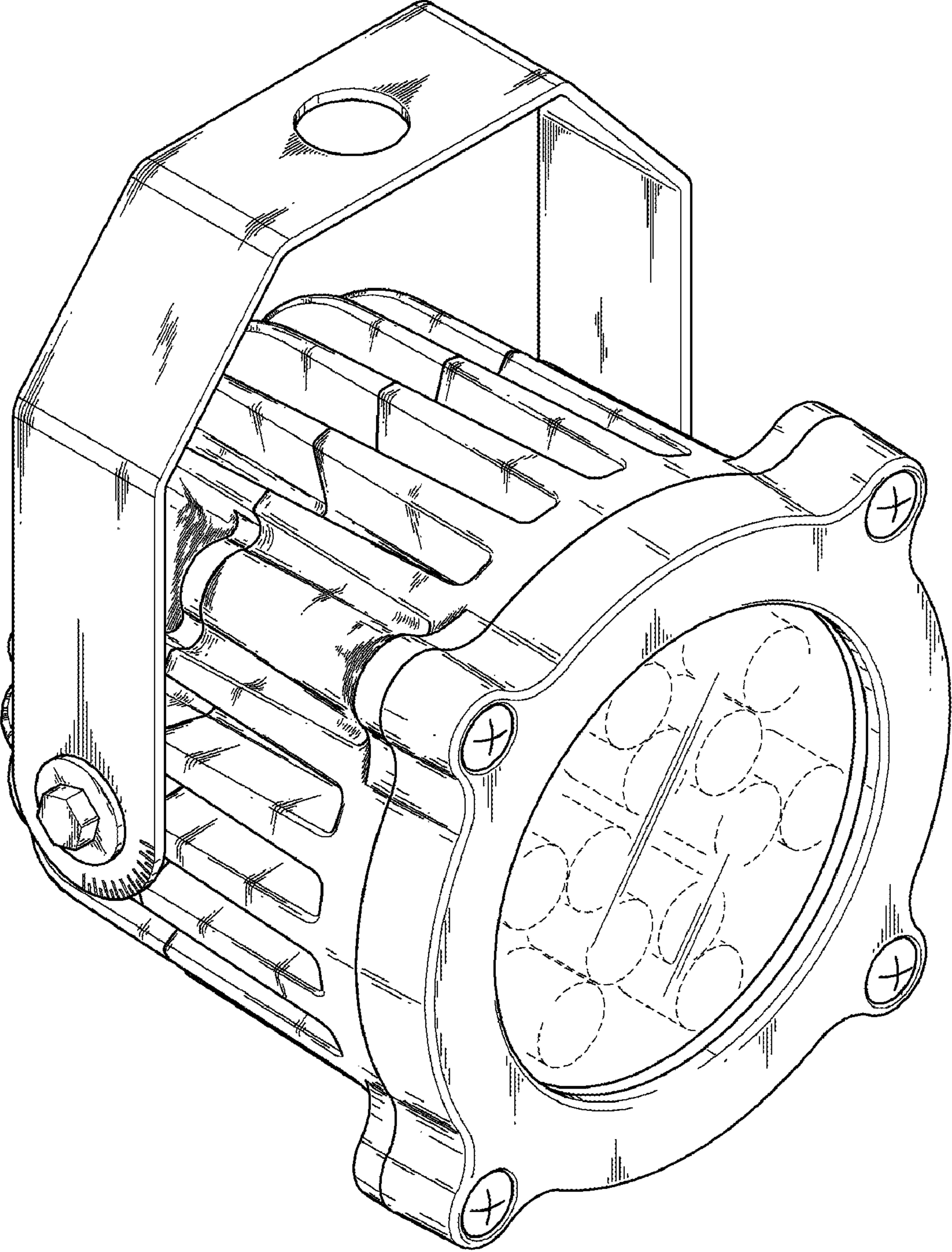




FIG. 8

