



US00D634870S

(12) **United States Design Patent**  
**Shen et al.**

(10) **Patent No.:** **US D634,870 S**  
(45) **Date of Patent:** **\*\* Mar. 22, 2011**

(54) **LAMP WITH SPEAKER**  
(75) Inventors: **Shyh-Yong Shen**, Taipei County (TW);  
**Chun-I Sun**, Taipei (TW); **Jia-Yi Juang**,  
Taipei County (TW)  
(73) Assignees: **Kinpo Electronics, Inc.**, Taipei County  
(TW); **Cal-Comp Electronics &**  
**Communications Company Limited**,  
Taipei County (TW)

D451,087 S \* 11/2001 Moro et al. .... D14/221  
D482,157 S \* 11/2003 McClow et al. .... D26/113  
D534,162 S \* 12/2006 Shindo ..... D14/221  
D544,857 S \* 6/2007 Milne ..... D14/224  
D568,867 S \* 5/2008 Parikh ..... D14/214  
D574,984 S \* 8/2008 Hesse et al. .... D26/37  
D582,578 S \* 12/2008 Tsai et al. .... D26/2  
D601,275 S \* 9/2009 Ho et al. .... D26/2  
D625,437 S \* 10/2010 Zhang et al. .... D26/2  
D629,927 S \* 12/2010 Chen et al. .... D26/2  
D629,930 S \* 12/2010 Cotter et al. .... D26/2

\* cited by examiner

(\*\*) Term: **14 Years**  
(21) Appl. No.: **29/346,043**  
(22) Filed: **Oct. 26, 2009**

*Primary Examiner* — Ian Simmons  
*Assistant Examiner* — Carissa C Fitts

(74) *Attorney, Agent, or Firm* — Muncy, Geissler, Olds &  
Lowe, PLLC

(30) **Foreign Application Priority Data**  
Sep. 18, 2009 (TW) ..... 98304424  
(51) **LOC (9) Cl.** ..... **26-02**  
(52) **U.S. Cl.** ..... **D26/52; D14/204**  
(58) **Field of Classification Search** ..... D26/2,  
D26/51, 56, 58, 34, 37, 113, 24; 362/103,  
362/190, 253, 800, 812, 394, 34; D14/204,  
D14/221; 181/199; 381/60  
See application file for complete search history.

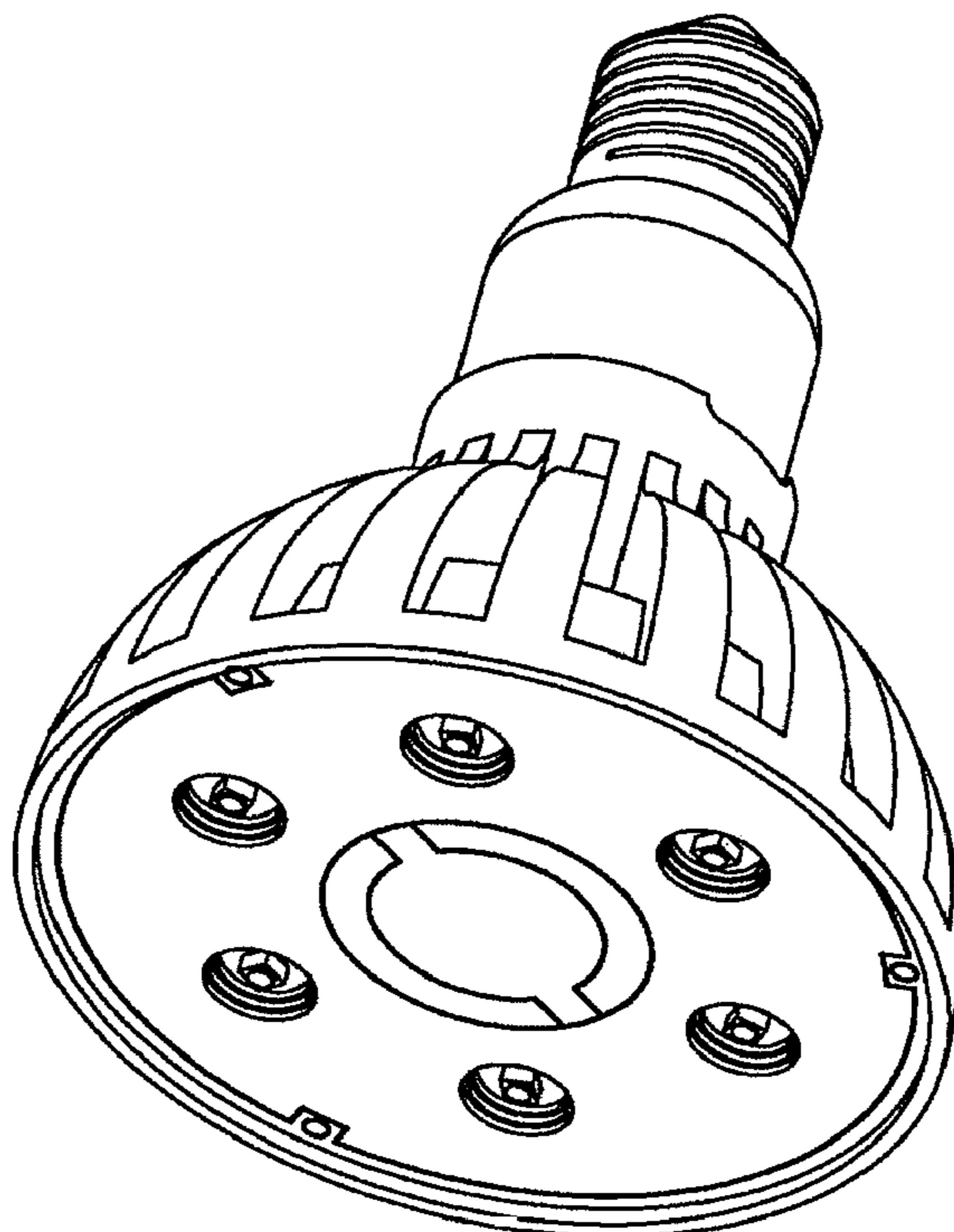
(57) **CLAIM**  
The ornamental design for a lamp with speaker, as shown and  
described.

(56) **References Cited**  
U.S. PATENT DOCUMENTS  
D247,562 S \* 3/1978 Walker et al. .... D14/209  
D294,870 S \* 3/1988 Hsu ..... D26/52  
D332,838 S \* 1/1993 Lu ..... D26/34  
D393,641 S \* 4/1998 Hai-Fu ..... D14/216

**DESCRIPTION**

FIG. 1 is a front bottom perspective view of a lamp with  
speaker showing our new design wherein the bottom of the  
lamp includes a plurality of light sources and at least a speaker  
surrounded by the plurality of light sources;  
FIG. 2 is a front perspective view of the lamp with speaker;  
FIG. 3 is a rear perspective view of the lamp with speaker;  
FIG. 4 is a left side perspective view of the lamp with speaker;  
FIG. 5 is a right side perspective view of the lamp with  
speaker;  
FIG. 6 is a top perspective view of the lamp with speaker; and,  
FIG. 7 is a bottom perspective view of the lamp with speaker.

**1 Claim, 7 Drawing Sheets**



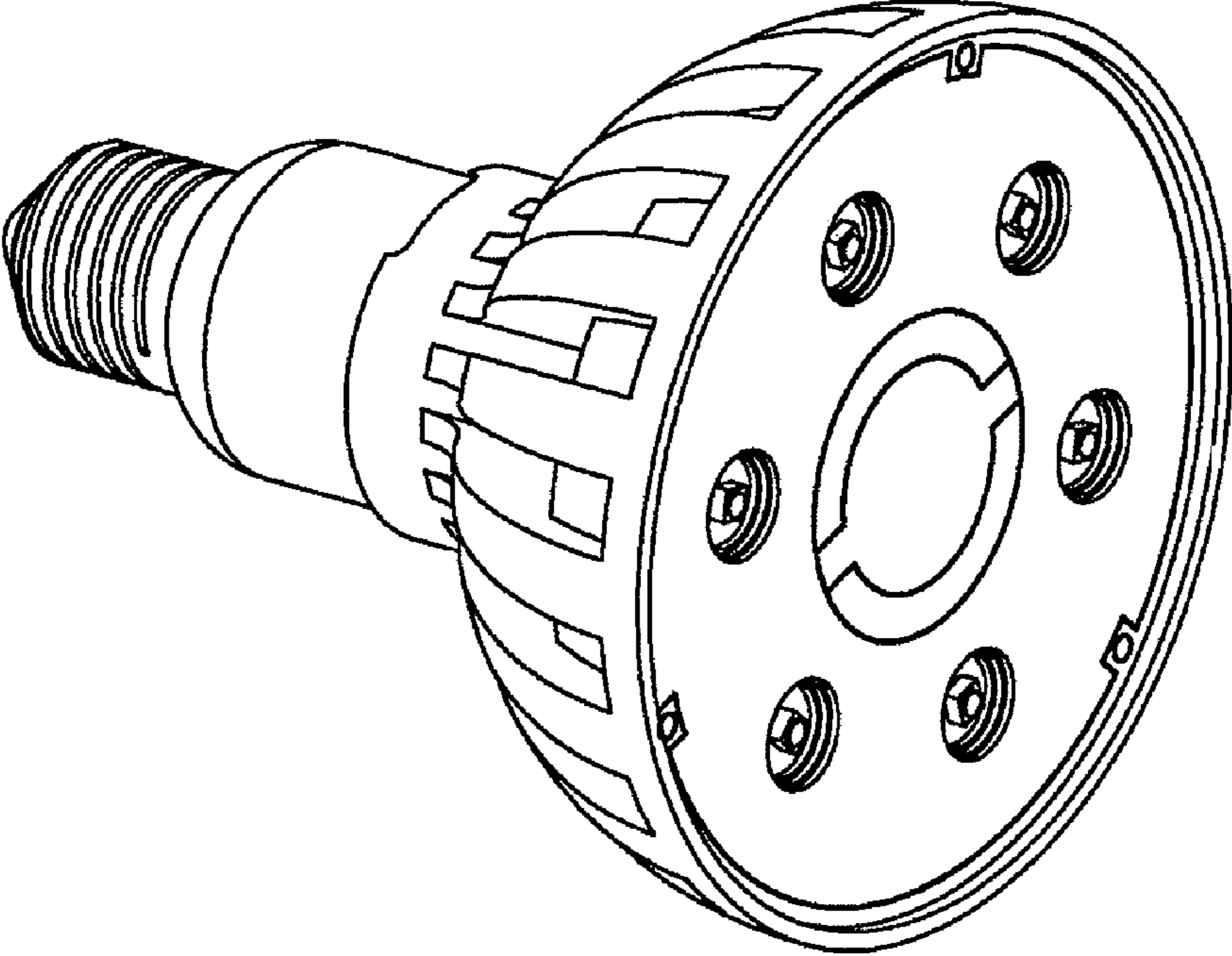


FIG. 1

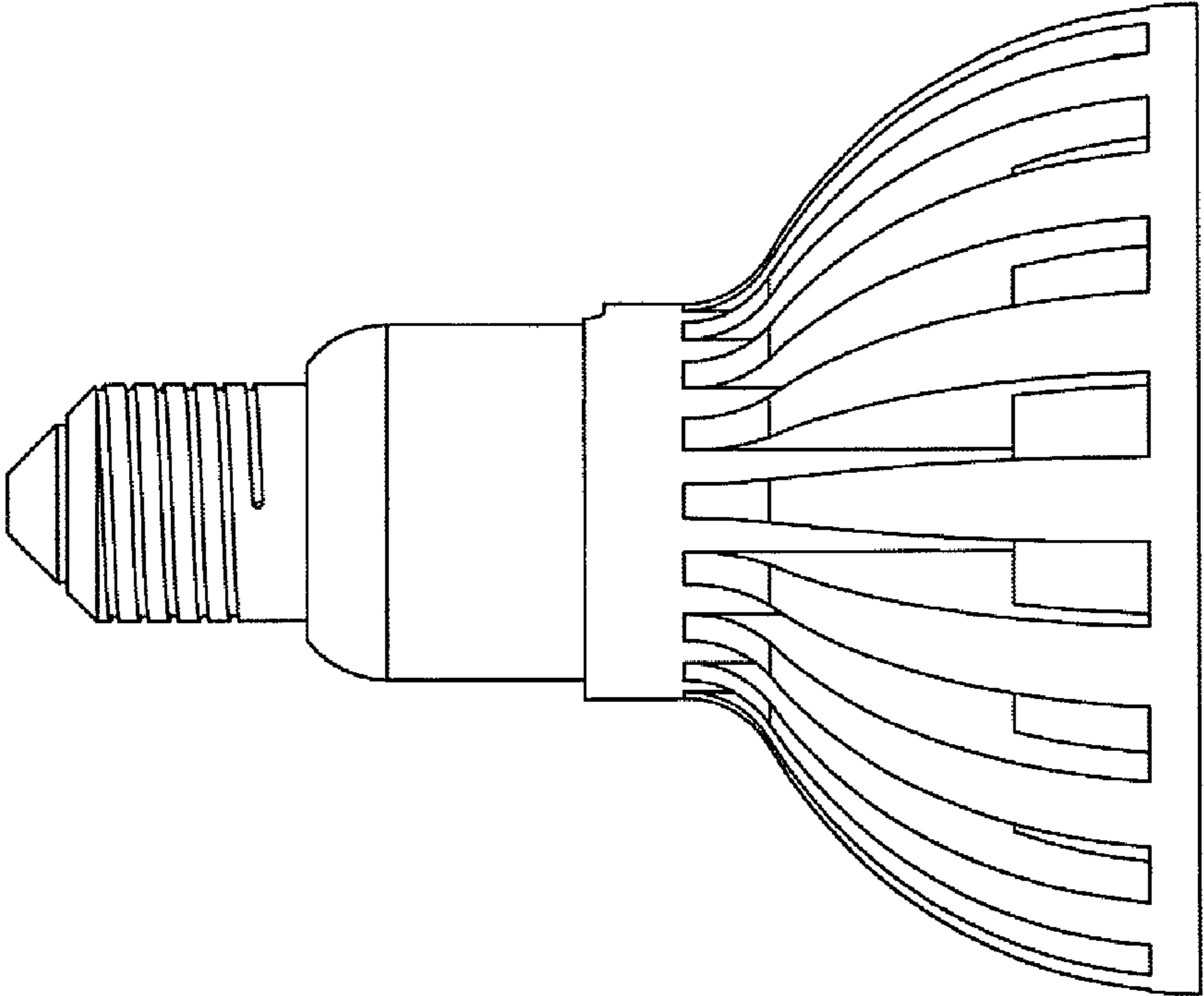


FIG. 2

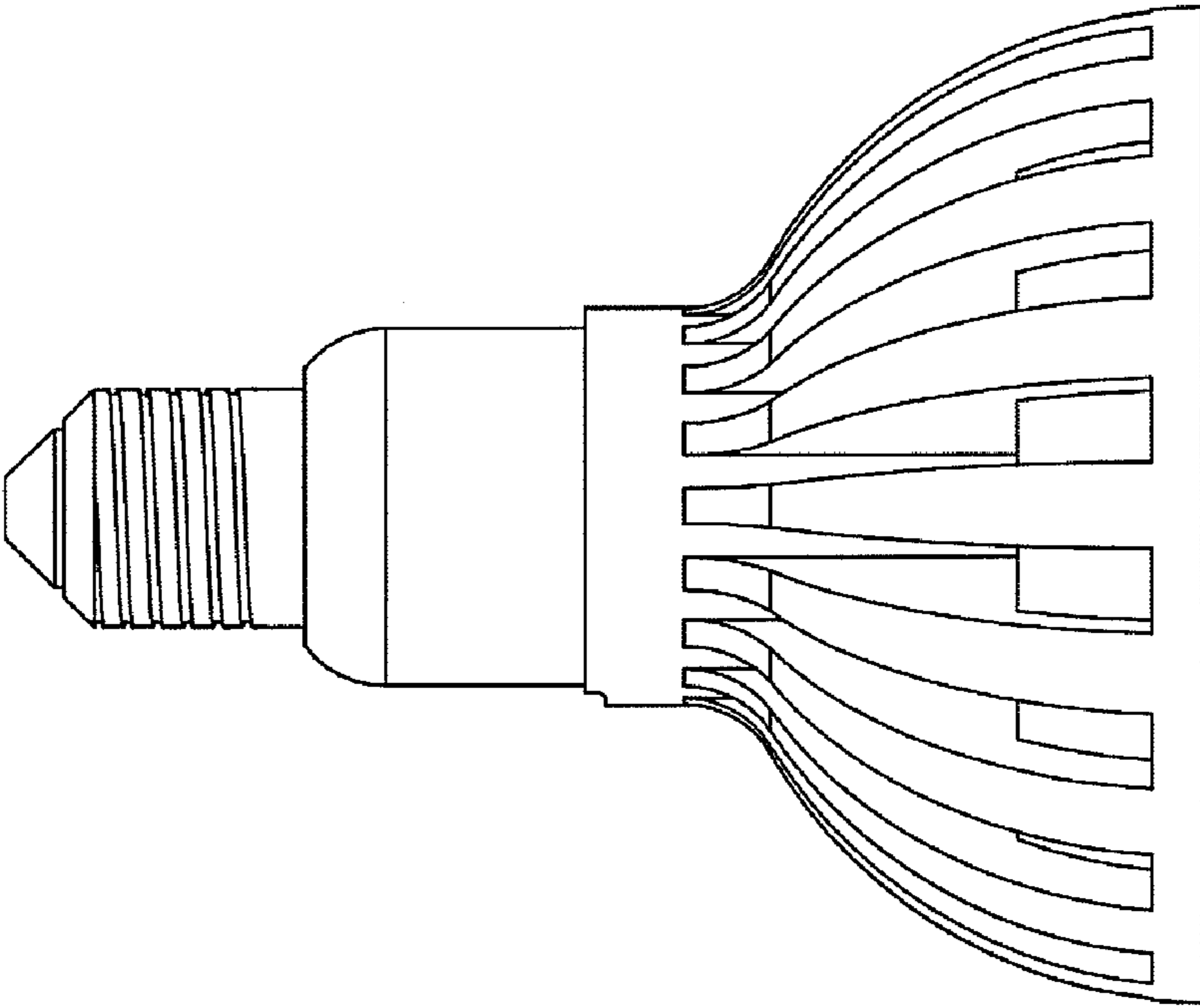


FIG. 3

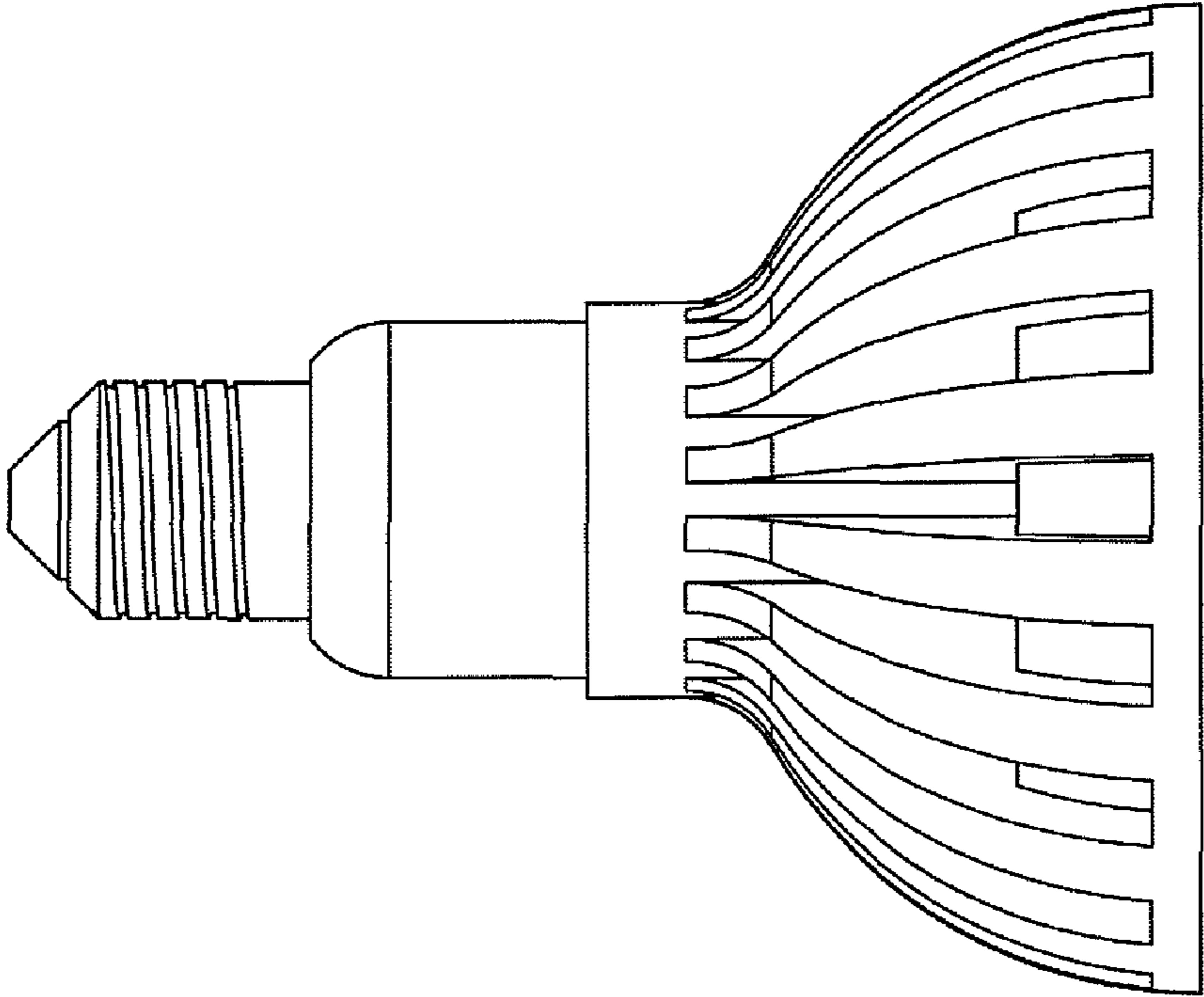


FIG. 4

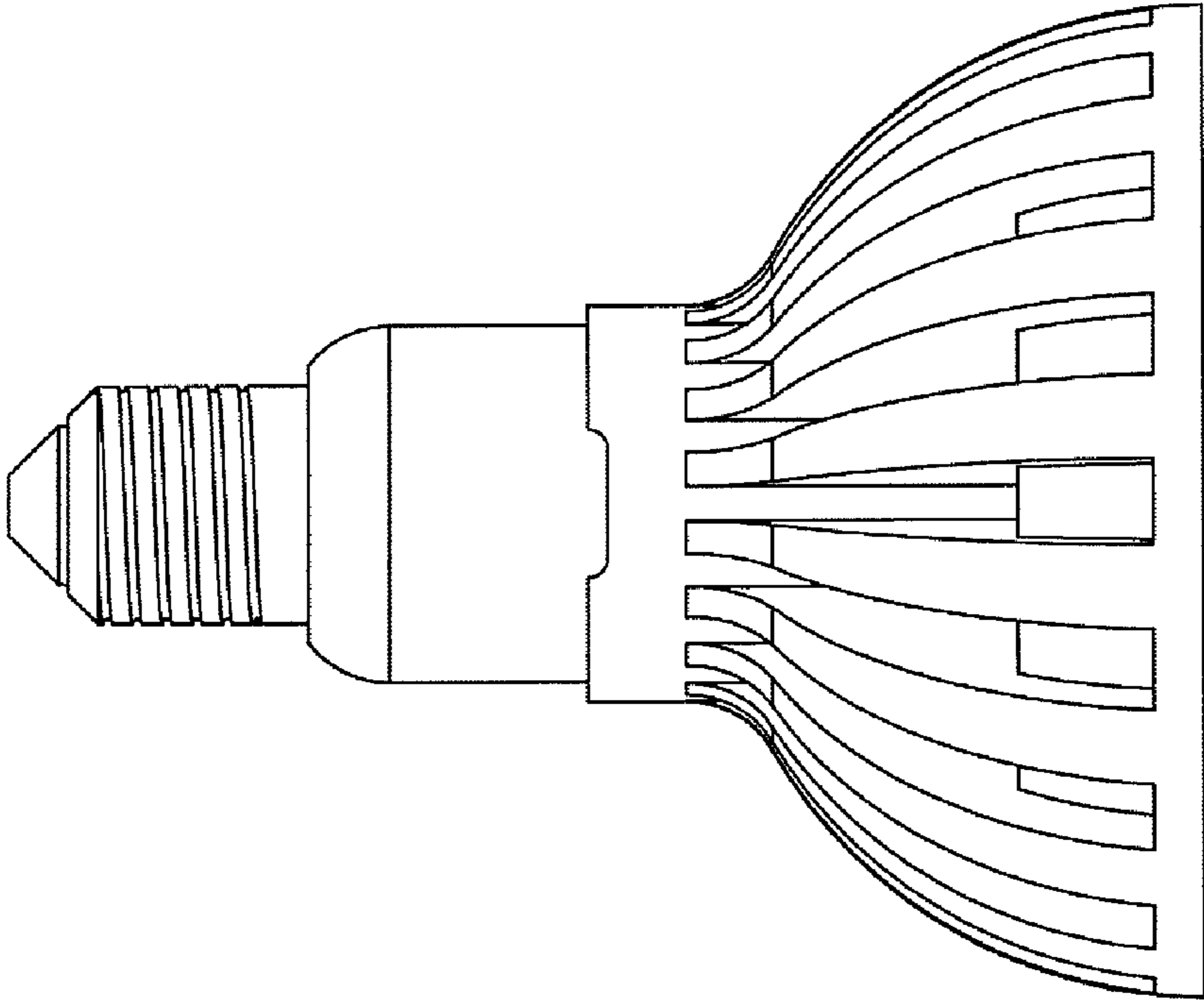


FIG. 5

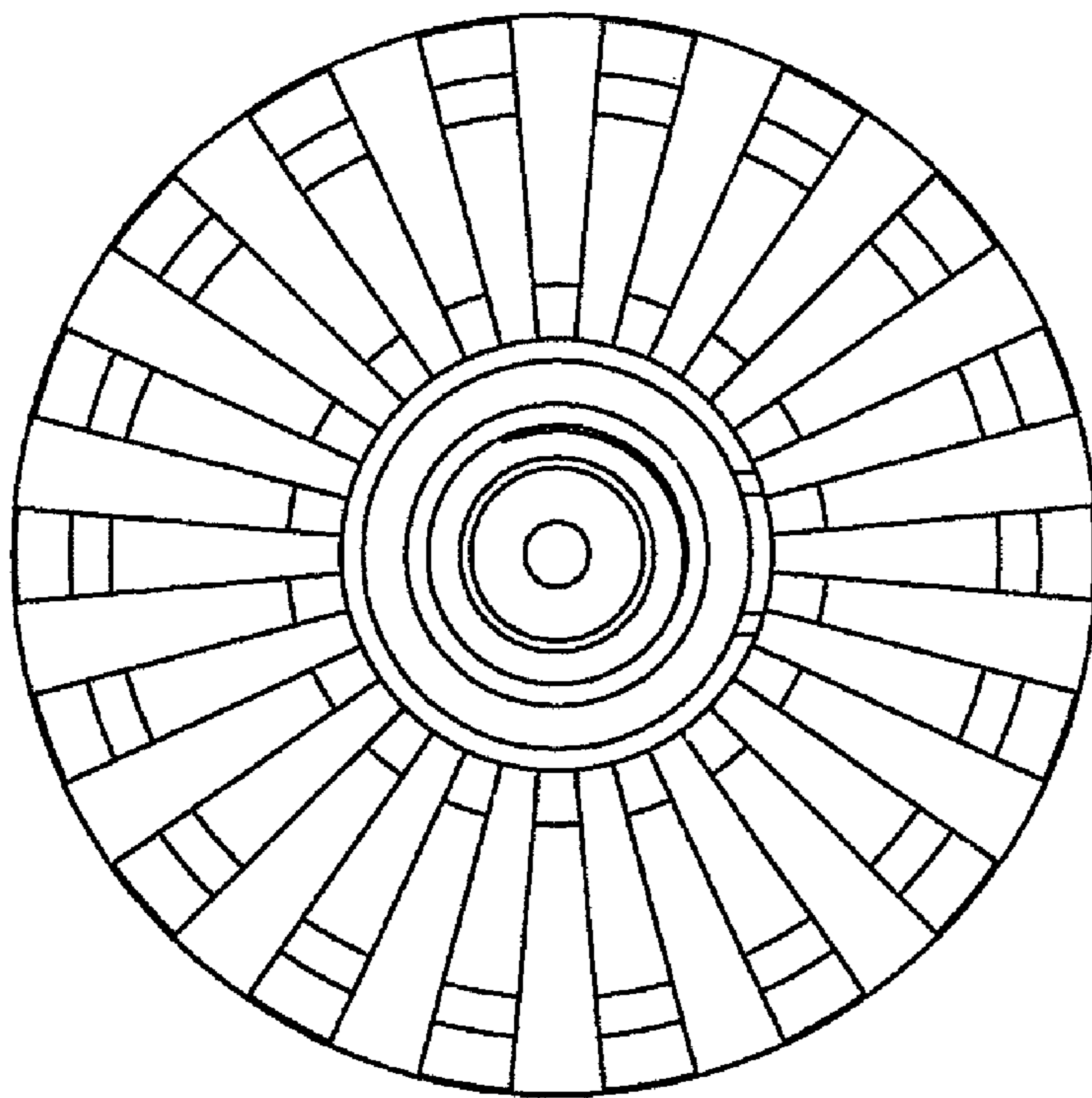


FIG. 6

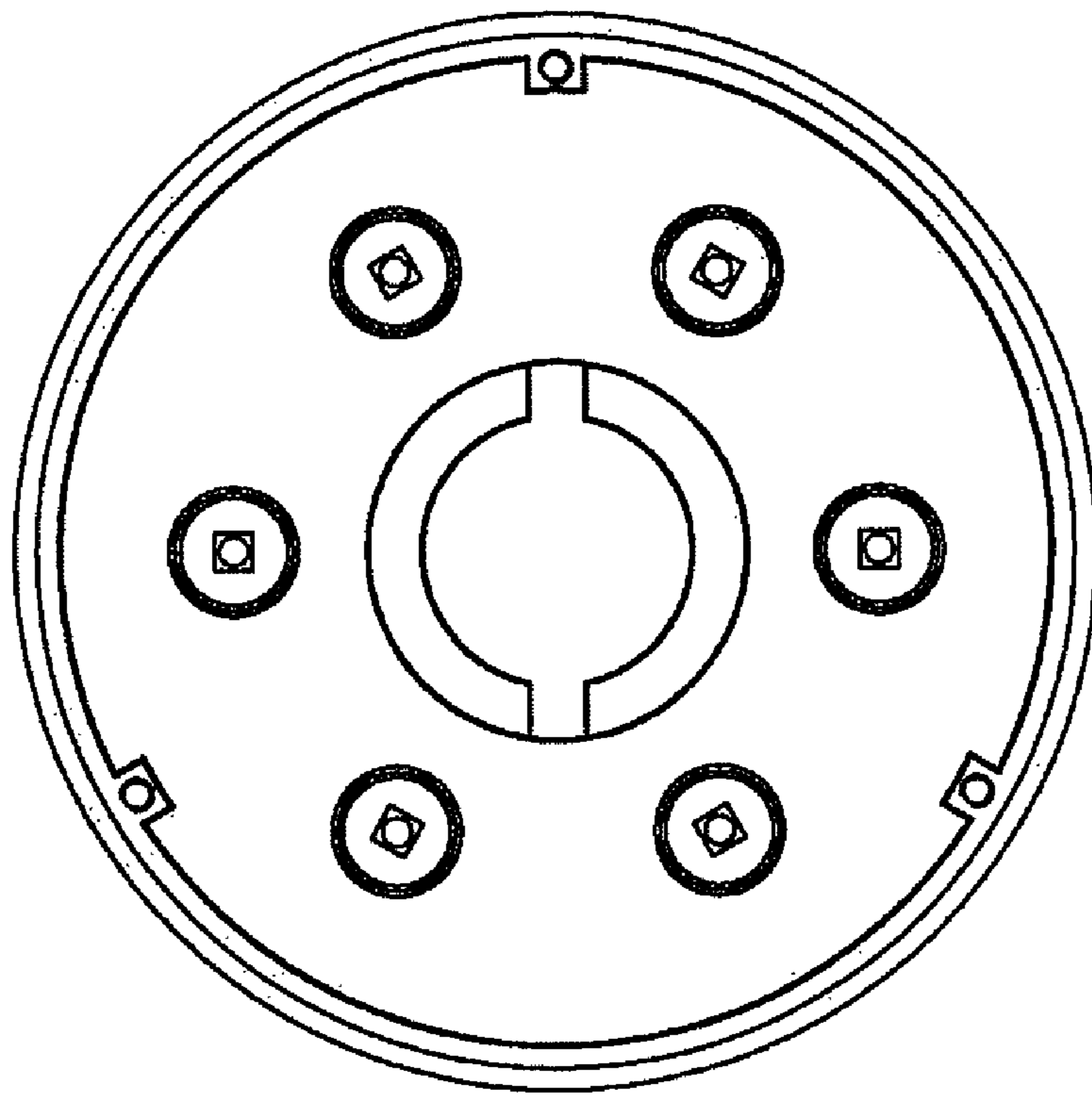


FIG. 7