



US00D634867S

(12) **United States Design Patent**
Frenzel et al.

(10) **Patent No.:** **US D634,867 S**
(45) **Date of Patent:** **** Mar. 22, 2011**

(54) **HEADLIGHT FOR A VEHICLE**

(75) Inventors: **Klaus Frenzel**, Winnenden (DE);
Hans-Dieter Futschik, Gechingen (DE);
Steffen Koehl, Stuttgart (DE)

(73) Assignee: **Daimler AG**, Stuttgart (DE)

(**) Term: **14 Years**

(21) Appl. No.: **29/311,772**

(22) Filed: **Jun. 16, 2009**

(30) **Foreign Application Priority Data**

Dec. 17, 2008 (DE) 402008006054

(51) **LOC (9) Cl.** **26-06**

(52) **U.S. Cl.** **D26/28**

(58) **Field of Classification Search** D26/28-36;
362/459-468, 475-478, 485-487

See application file for complete search history.

(56) **References Cited**

U.S. PATENT DOCUMENTS

- D550,383 S * 9/2007 Asai D26/28
- D556,349 S * 11/2007 Golden et al. D26/28
- D560,291 S * 1/2008 Koyama D26/28
- D561,358 S * 2/2008 Tachibana D26/28

* cited by examiner

Primary Examiner — Marcus A Jackson

(74) *Attorney, Agent, or Firm* — Crowell & Moring LLP

(57) **CLAIM**

The ornamental design for a headlight for a vehicle, as shown and described.

DESCRIPTION

This application contains subject matter related to the following U.S. patent applications:

Design Patent application Ser. No. 29/311,114, filed Dec. 23, 2008; and Design Patent Application Ser. No. 29/311,113, filed Dec. 23, 2008.

FIG. 1 is a perspective view of a first embodiment of a headlight for a vehicle according to our design;

FIG. 2 is a front view thereof;

FIG. 3 is a side view thereof;

FIG. 4 is a top view thereof.

FIG. 5 is a perspective view of a second embodiment of the headlight for a vehicle according to our design;

FIG. 6 is a front view thereof;

FIG. 7 is a side view thereof;

FIG. 8 is a top view thereof.

FIG. 9 is a perspective view of a right side view of the first embodiment thereof;

FIG. 10 is a front view thereof;

FIG. 11 is a side view thereof;

FIG. 12 is a top view thereof.

FIG. 13 is a perspective view of a right side view of the second embodiment thereof;

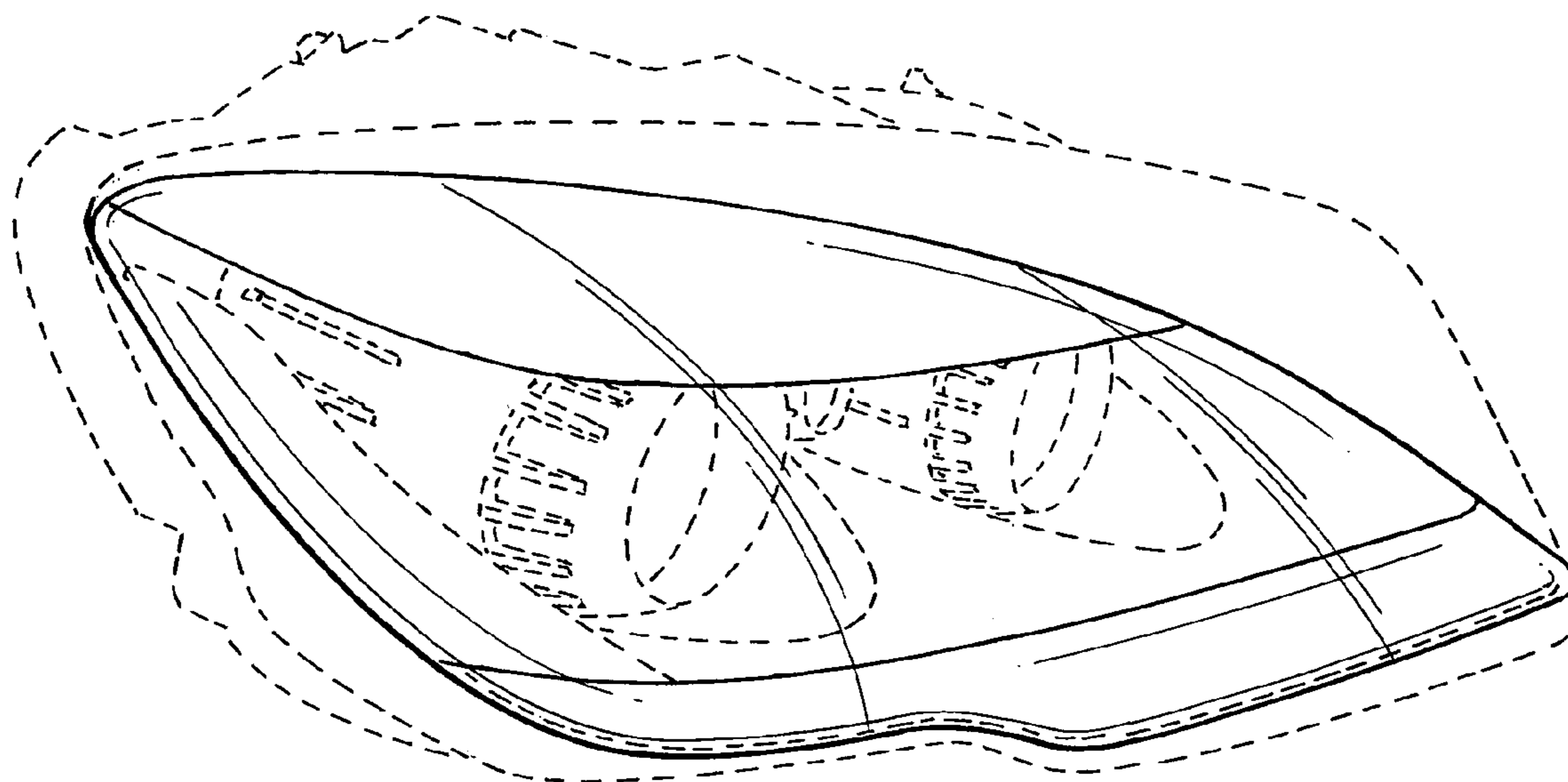
FIG. 14 is a front view thereof;

FIG. 15 is a side view thereof; and,

FIG. 16 is a top view thereof.

The broken lines are for illustrative purposes only and form no part of the claimed design.

1 Claim, 8 Drawing Sheets



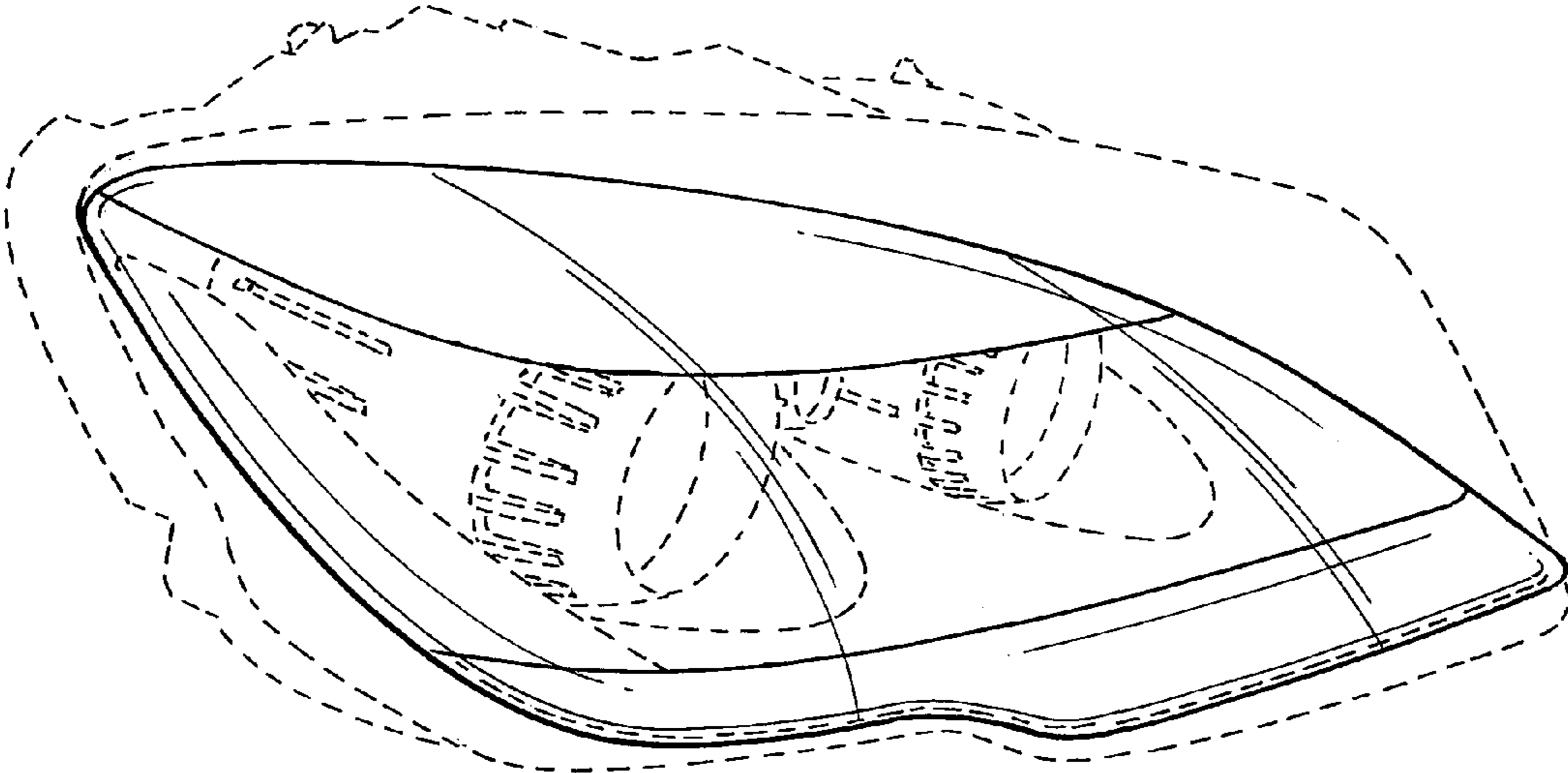


FIG. 1

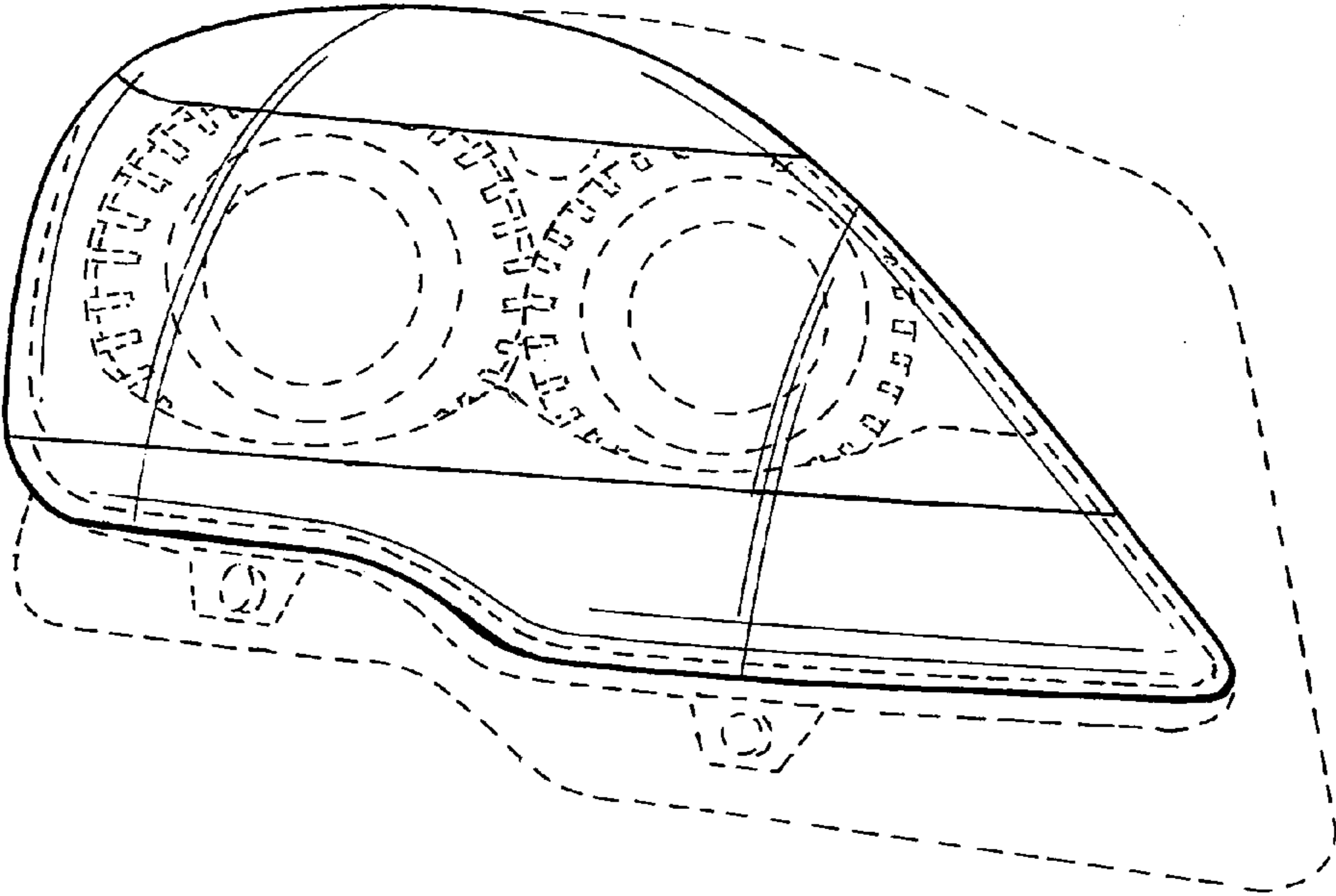


FIG. 2

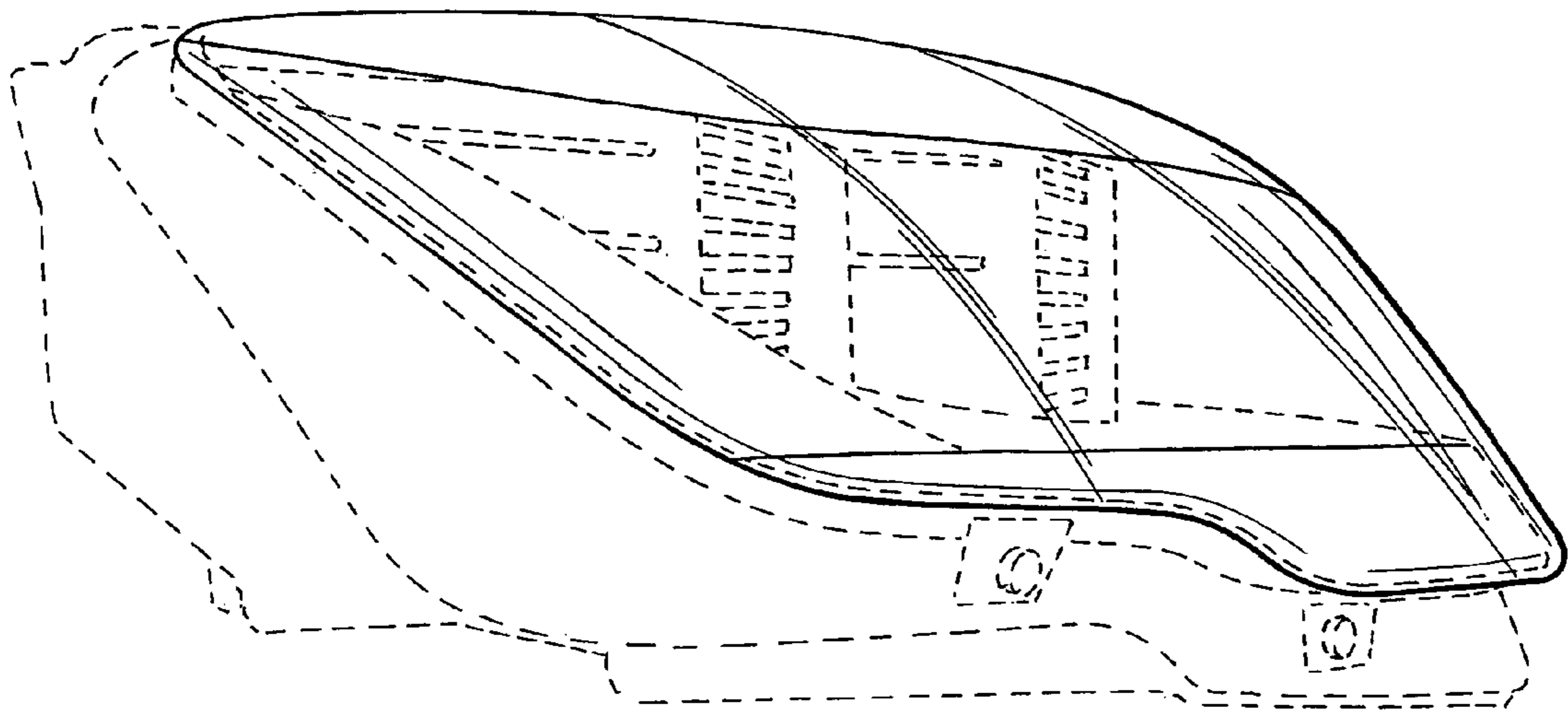


FIG. 3

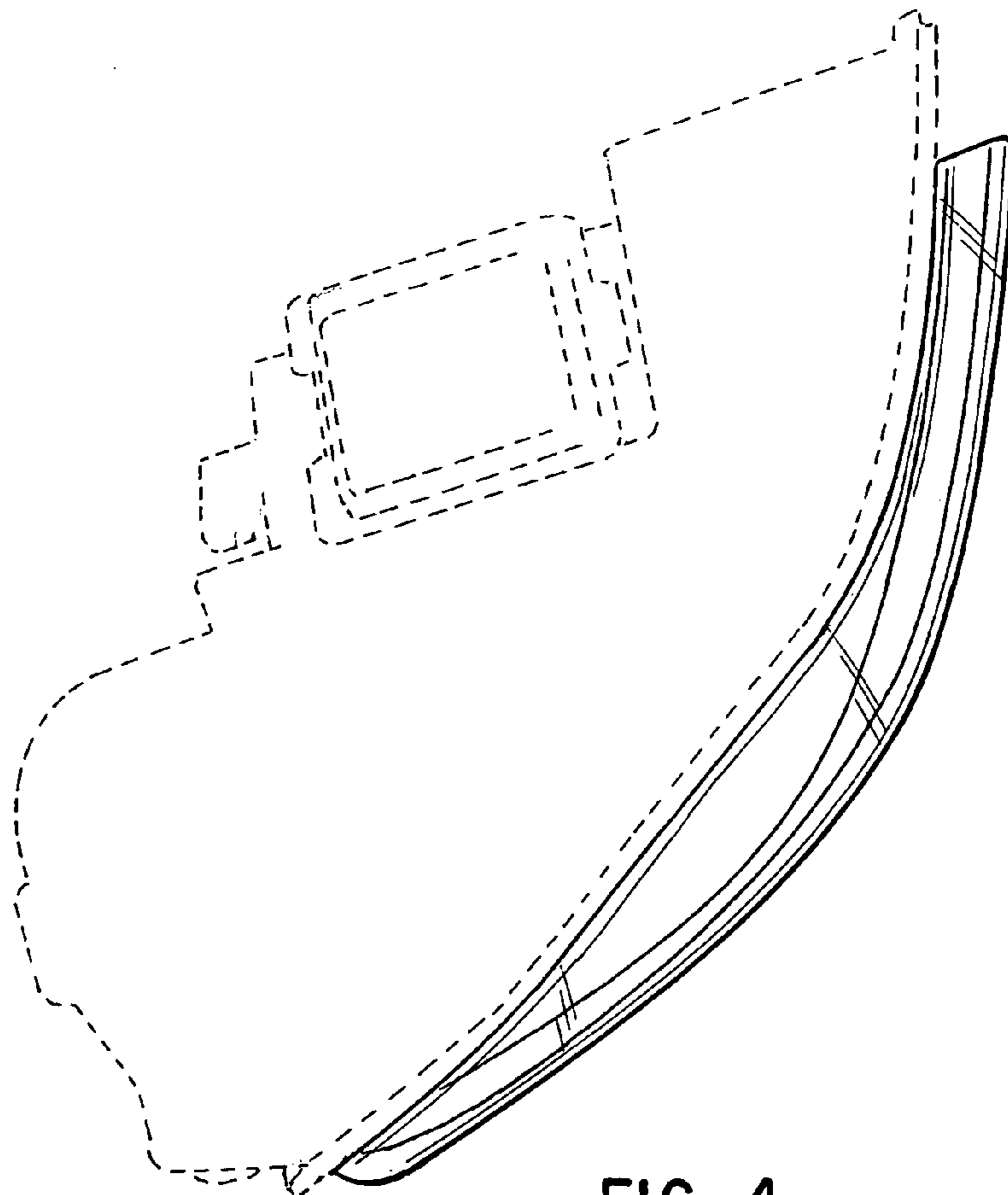


FIG. 4

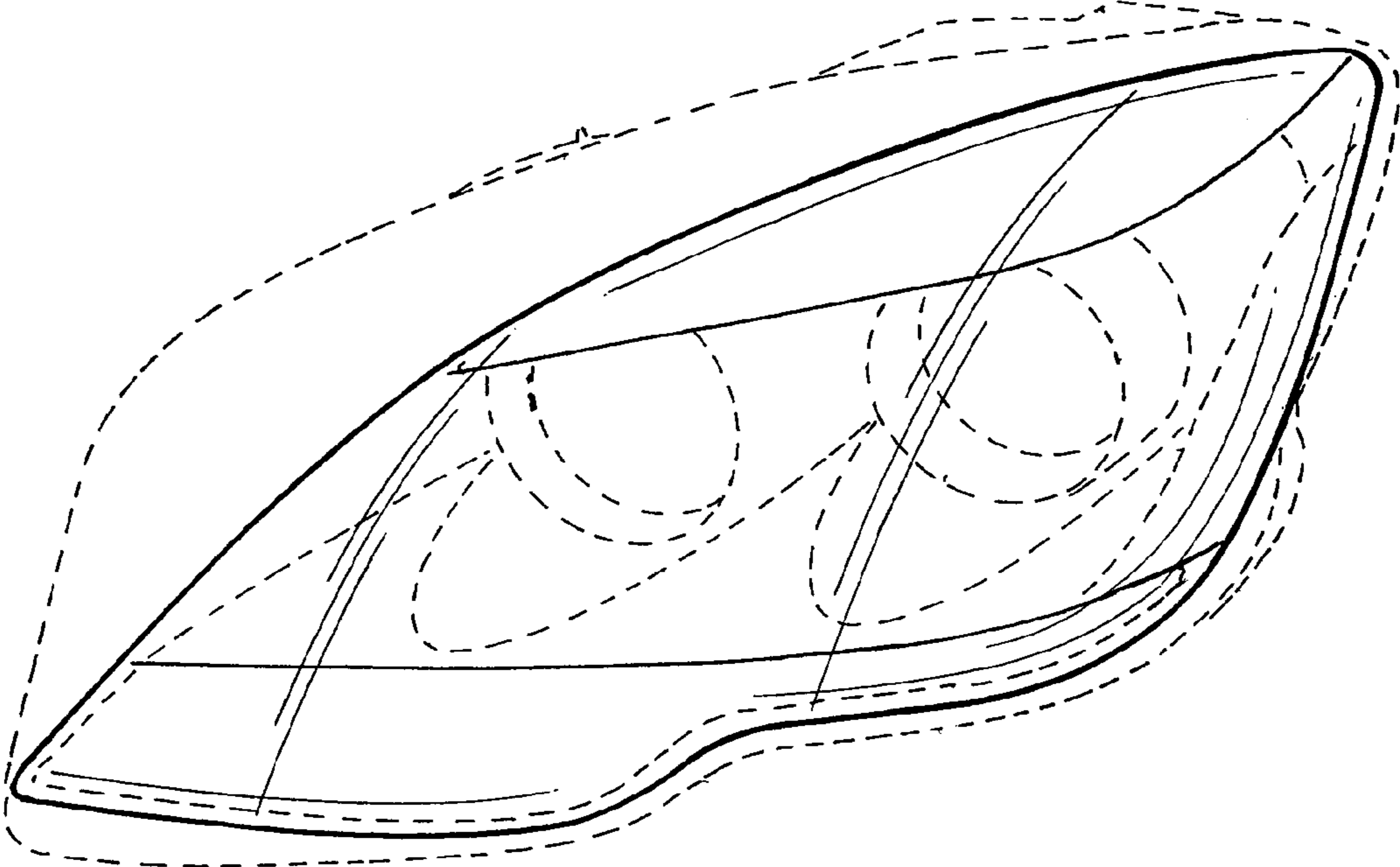


FIG. 5

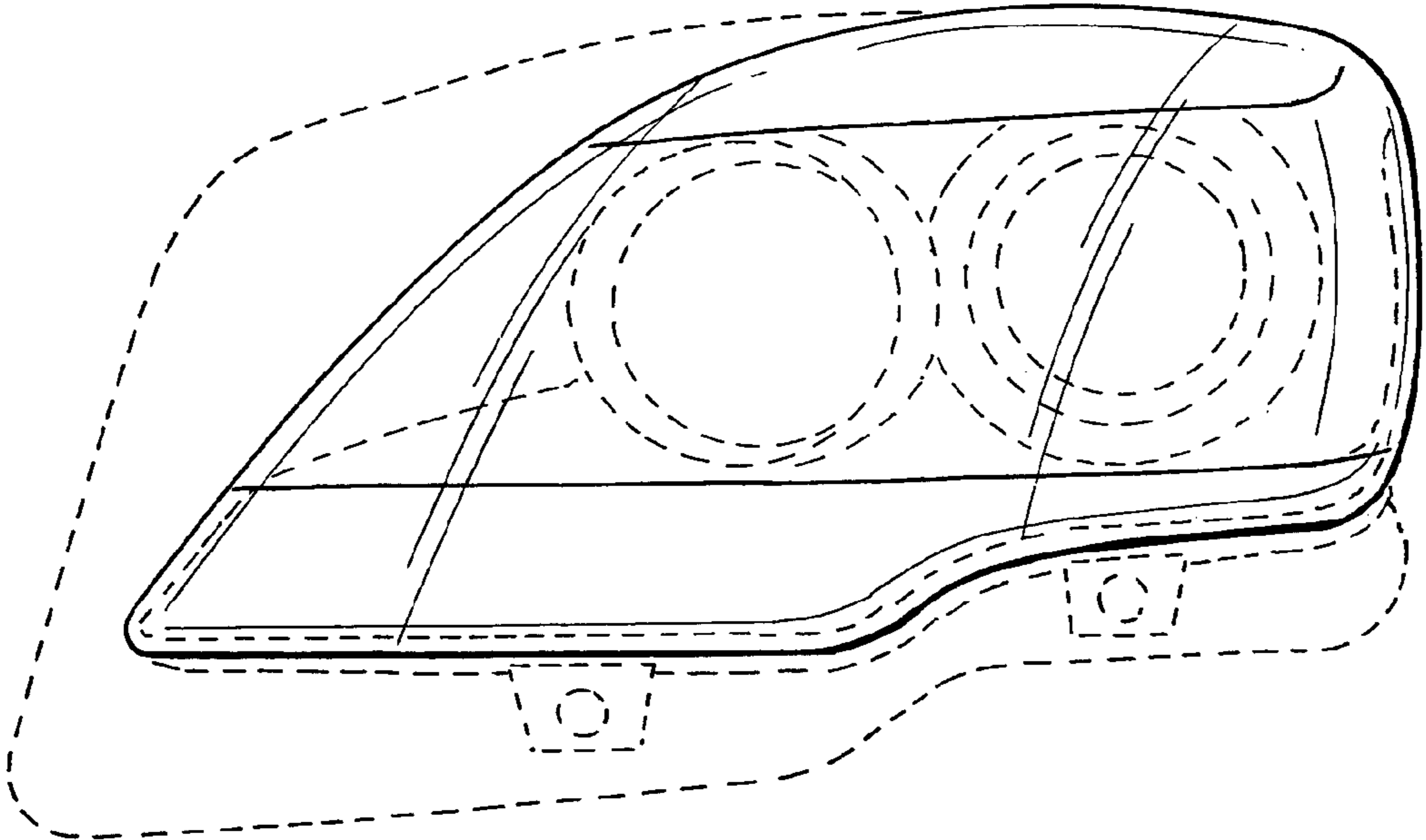


FIG. 6

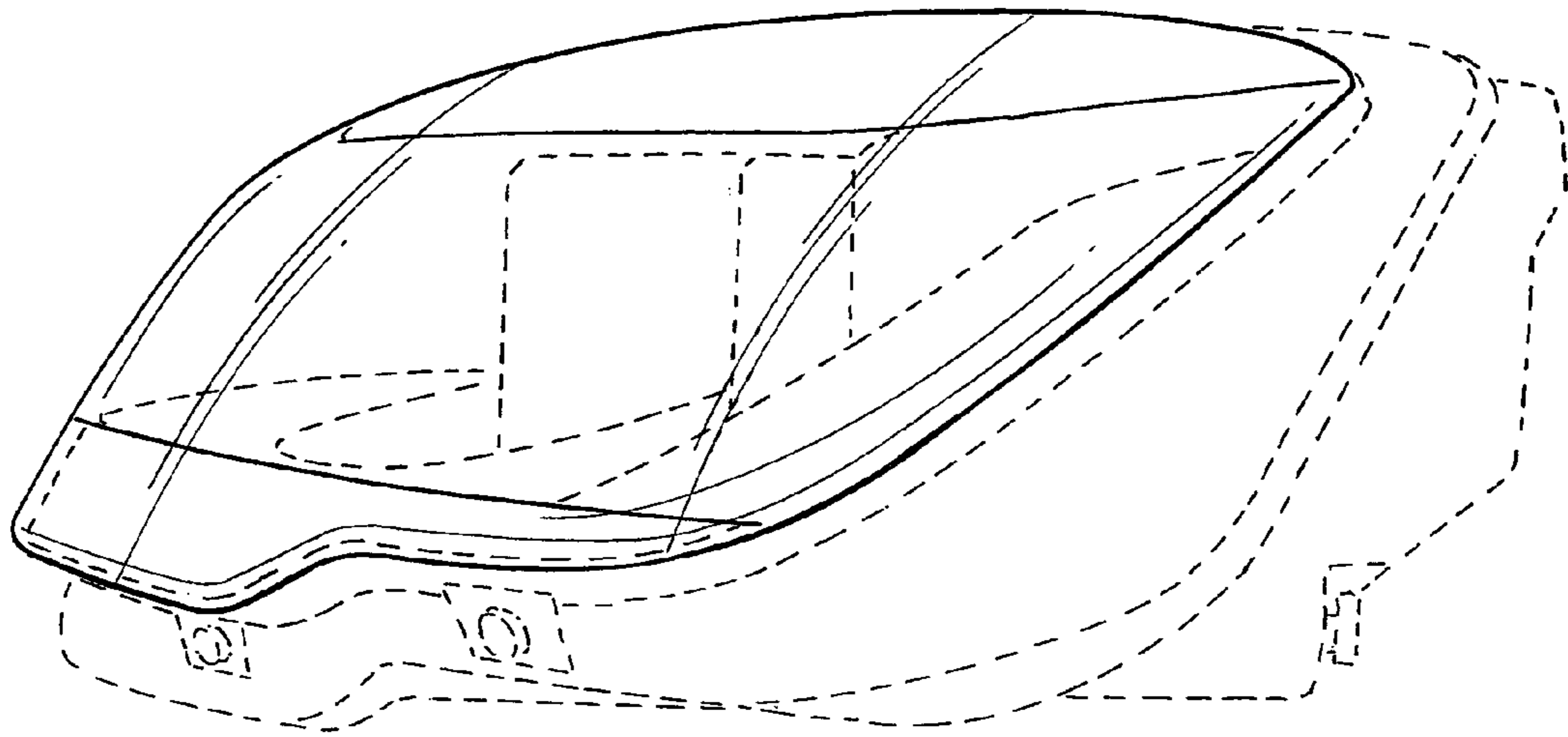


FIG. 7

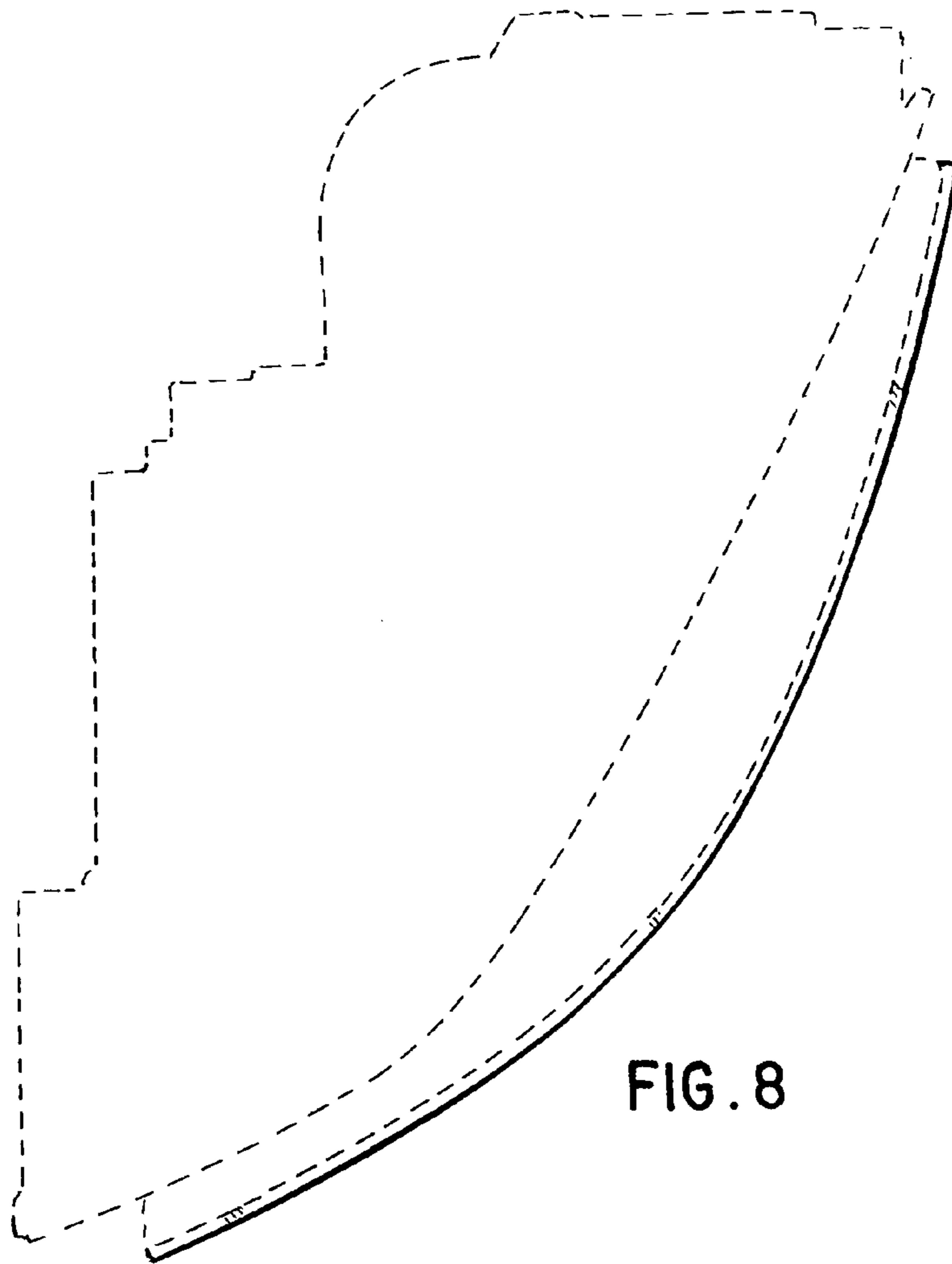


FIG. 8

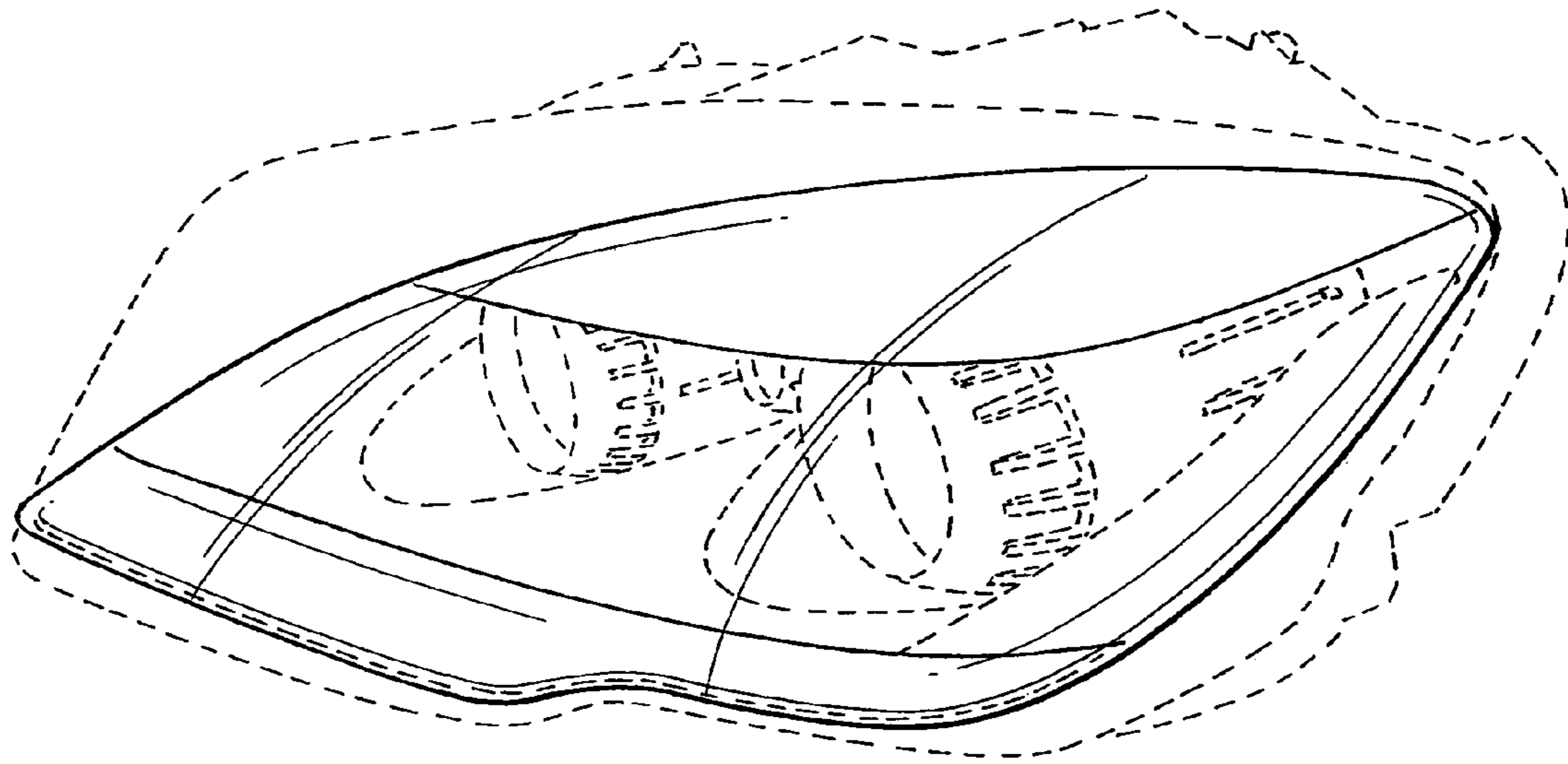


FIG. 9

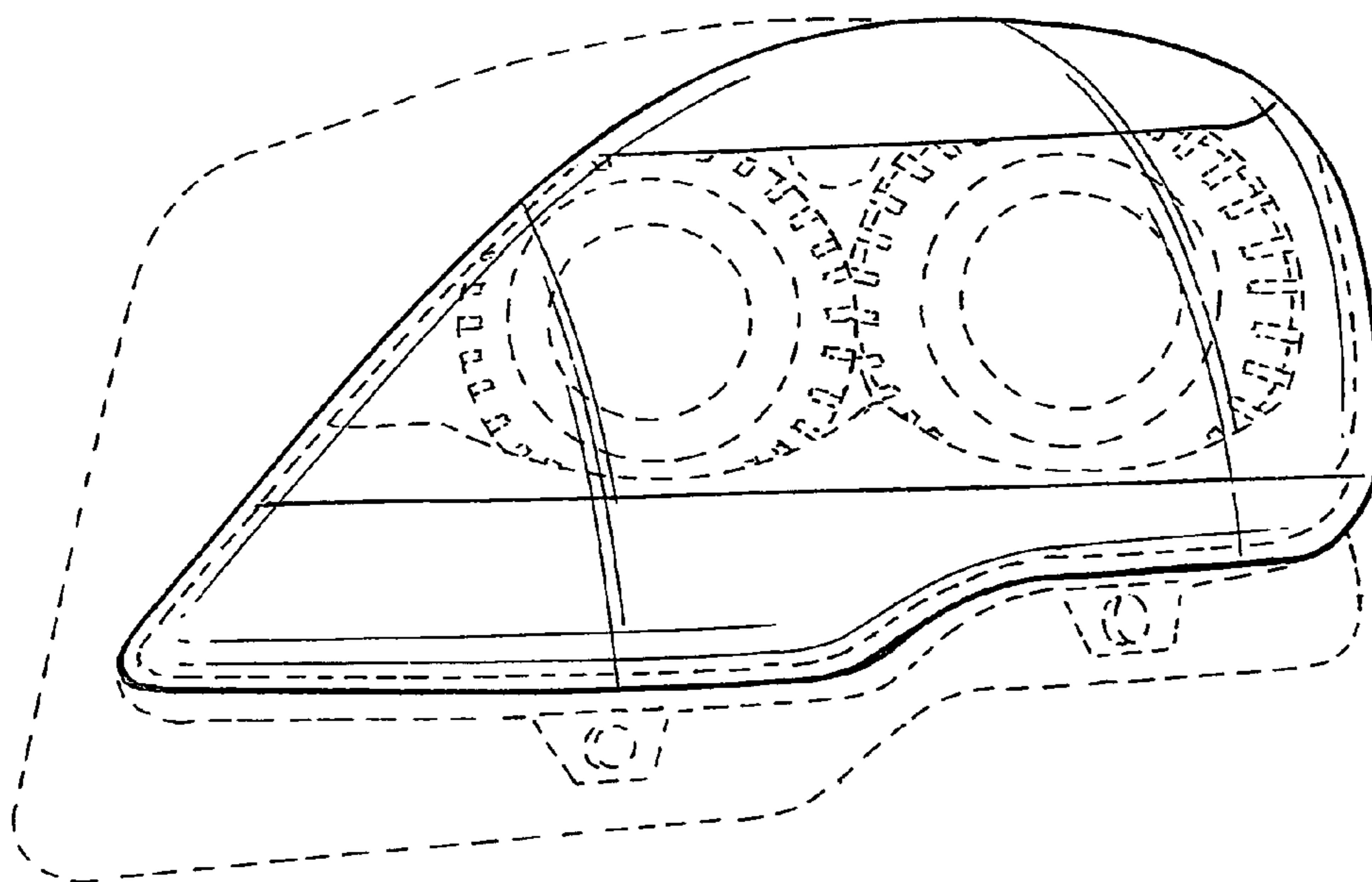


FIG. 10

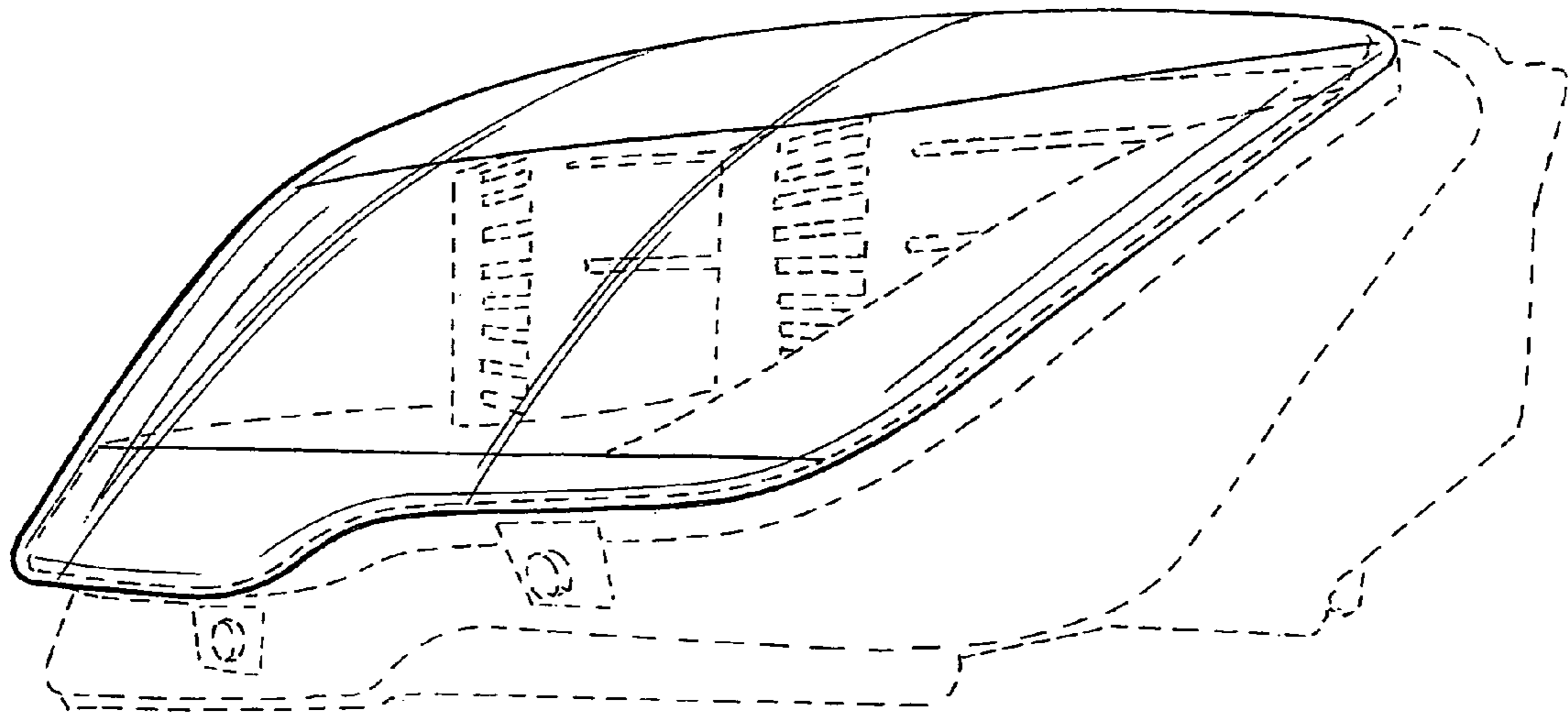


FIG. 11

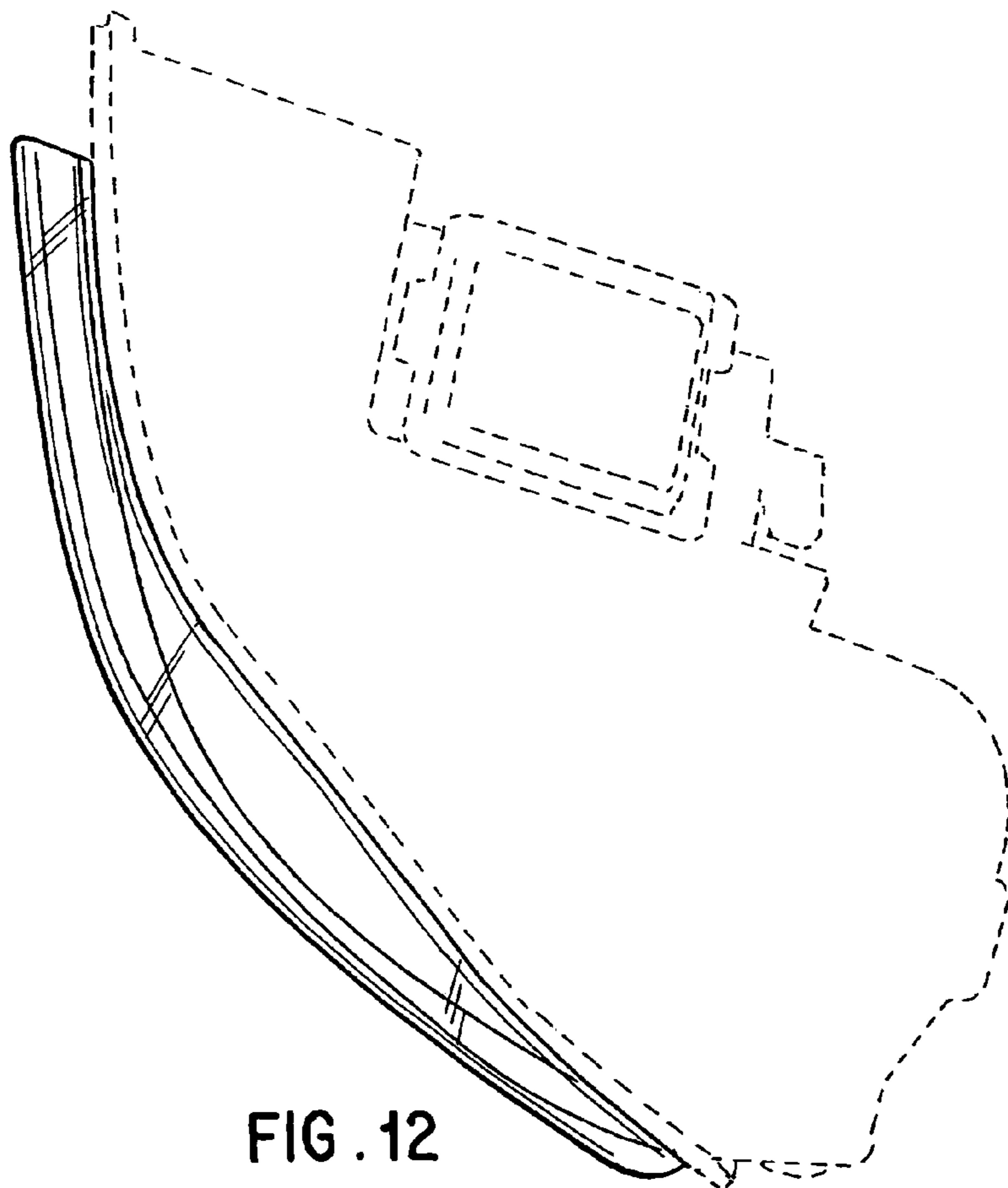


FIG. 12

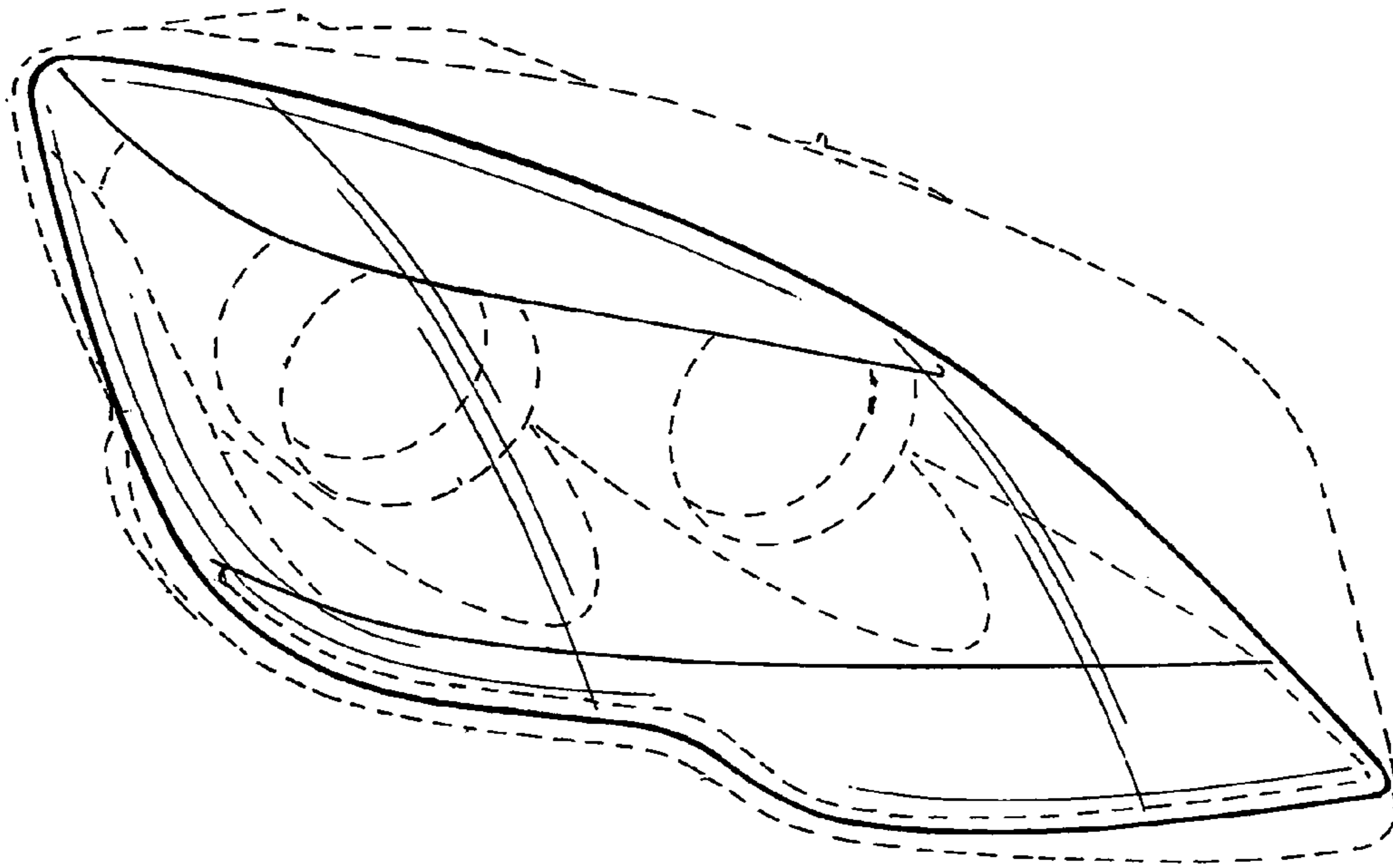


FIG. 13

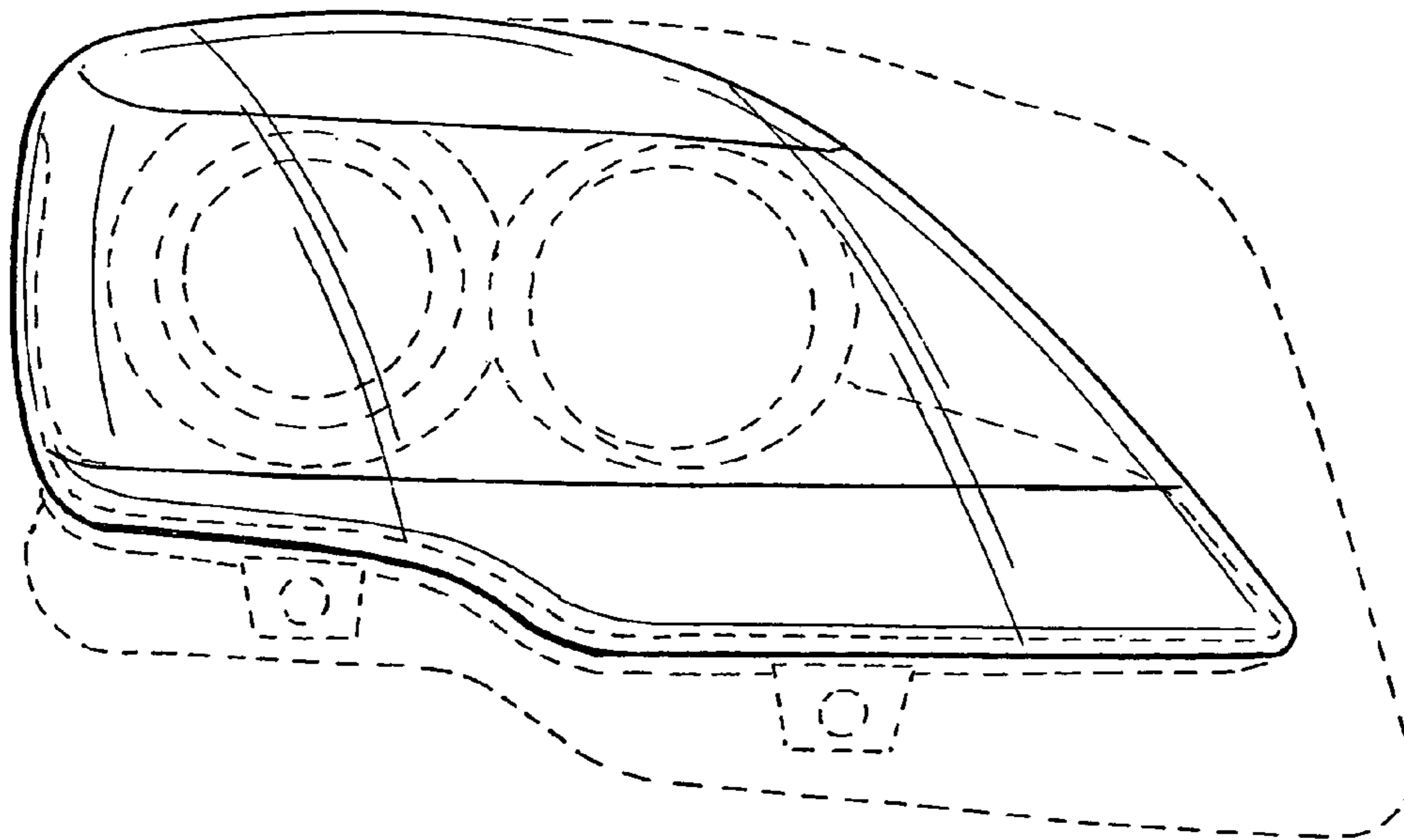


FIG. 14

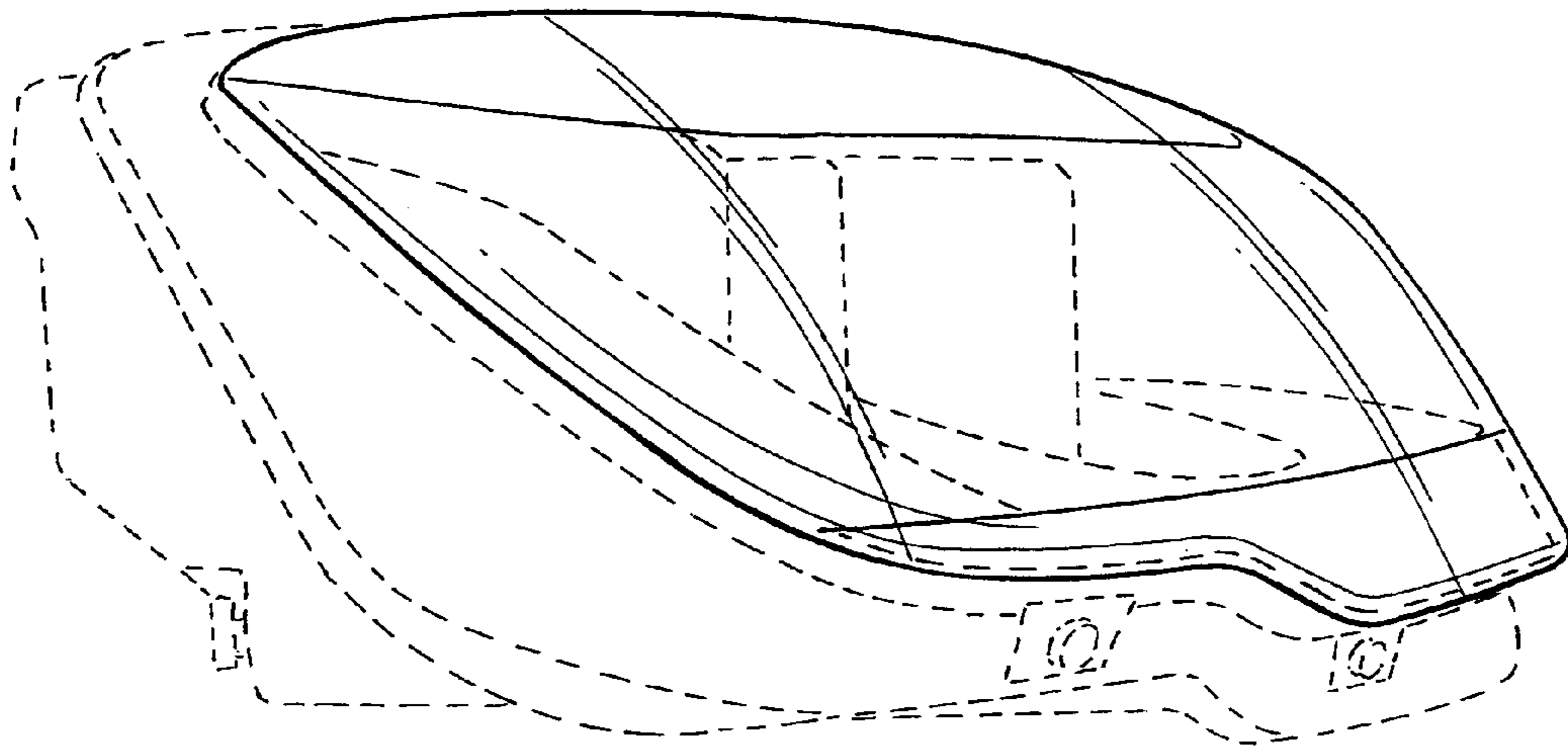


FIG. 15

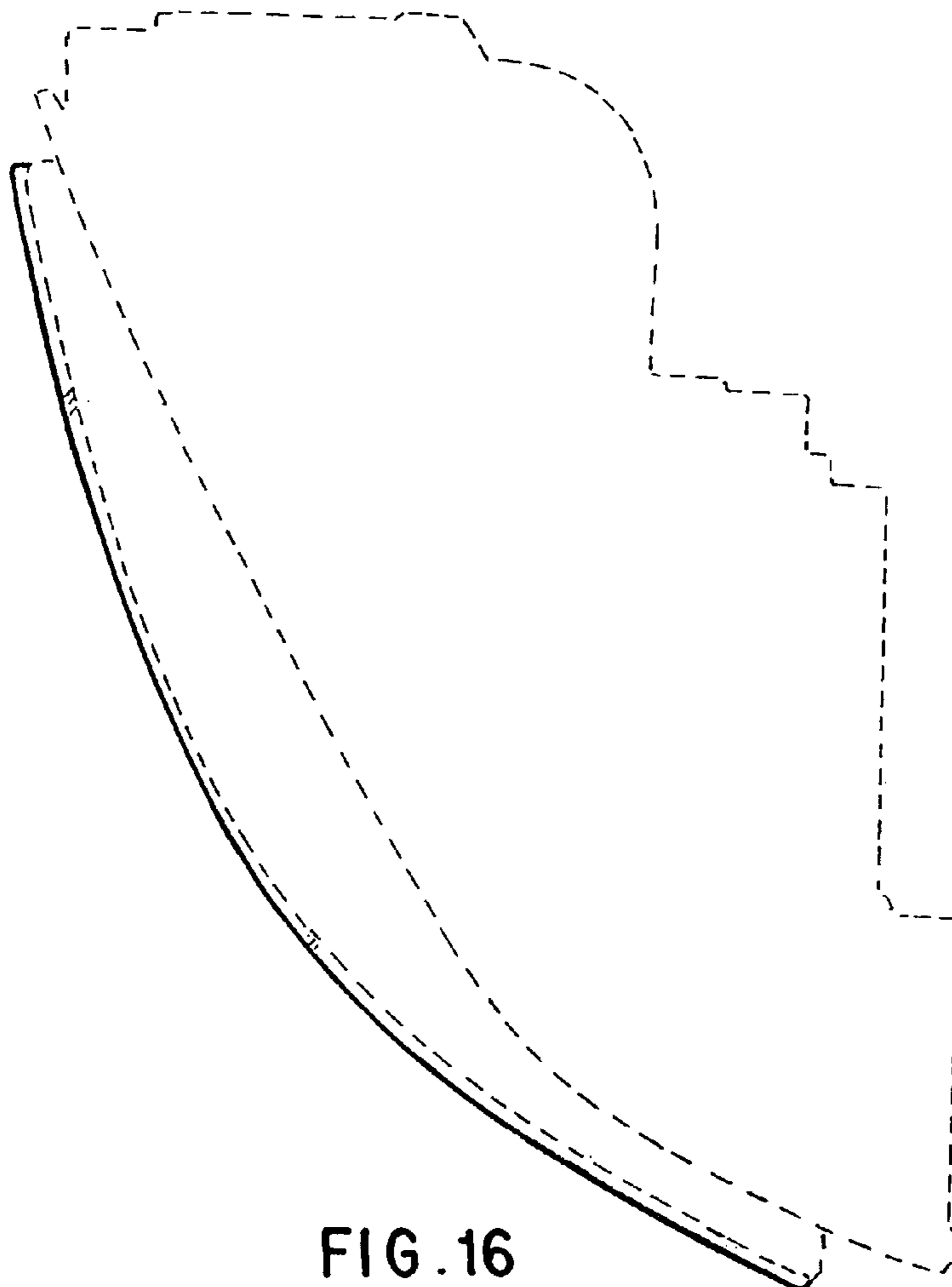


FIG. 16