



US00D634866S

(12) **United States Design Patent**  
**Richter et al.**

(10) **Patent No.:** **US D634,866 S**  
(45) **Date of Patent:** **\*\* Mar. 22, 2011**

(54) **NIGHTLIGHT FOR AN ELECTRICAL DEVICE**  
(75) Inventors: **James Richter**, Bethpage, NY (US);  
**Kang Pin Tee**, Brooklyn, NY (US);  
**Ronald Jansen**, Ridgewood, NY (US)

(73) Assignee: **Leviton Manufacturing Co., Inc.**,  
Melville, NY (US)

(\*\*) Term: **14 Years**

(21) Appl. No.: **29/320,423**

(22) Filed: **Jun. 26, 2008**

**Related U.S. Application Data**

(63) Continuation-in-part of application No. 29/318,298,  
filed on May 16, 2008, now Pat. No. Des. 603,983.

(51) **LOC (9) Cl.** ..... **26-05**

(52) **U.S. Cl.** ..... **D26/26; D13/177**

(58) **Field of Classification Search** ..... D13/137.1,  
D13/162, 171, 177, 180; D8/353; D26/26,  
D26/51, 118; 174/53, 66; 200/315; 362/20,  
362/95, 802; D5/2, 6, 24, 32, 37, 45, 58,  
D5/63; D25/52, 103; D14/455, 247, 138 AA  
See application file for complete search history.

(56) **References Cited**

**U.S. PATENT DOCUMENTS**

D65,877 S *	10/1924	Vandergraw et al.	.....	D5/57
1,678,439 A *	7/1928	Roy	.....	428/38
D96,346 S *	7/1935	Sutton	.....	D5/24
2,134,696 A	11/1938	Bigman		
2,246,613 A	6/1941	Bigman		
2,434,065 A	1/1948	Courtney		
2,494,560 A	1/1950	Kaupp		
2,512,975 A	6/1950	Sherrard		
2,612,597 A	9/1952	Sherrard		

2,740,873 A	3/1956	Cronk		
3,064,380 A *	11/1962	Baut et al.	.....	428/38
D194,802 S *	3/1963	Goodman	.....	D25/142
3,204,807 A	9/1965	Ramsing		
3,265,888 A	8/1966	Adolpson, Jr.		
3,435,169 A	3/1969	Bienwald et al.		
D220,795 S	5/1971	Slater		
3,588,489 A	6/1971	Gaines		
3,739,226 A	6/1973	Seiter et al.		
3,746,877 A	7/1973	Seiter et al.		
D232,146 S *	7/1974	Dean	.....	D6/584
3,895,225 A	7/1975	Prior		
D260,438 S *	8/1981	Martinelli	.....	D25/105
4,418,979 A	12/1983	Takashima		

(Continued)

**FOREIGN PATENT DOCUMENTS**

EP 0411388 2/1991

*Primary Examiner* — Selina Sikder

(74) *Attorney, Agent, or Firm* — Carter, DeLuca, Farrell & Schmidt, LLP

(57) **CLAIM**

The ornamental design for a nightlight for an electrical device, as shown and described.

**DESCRIPTION**

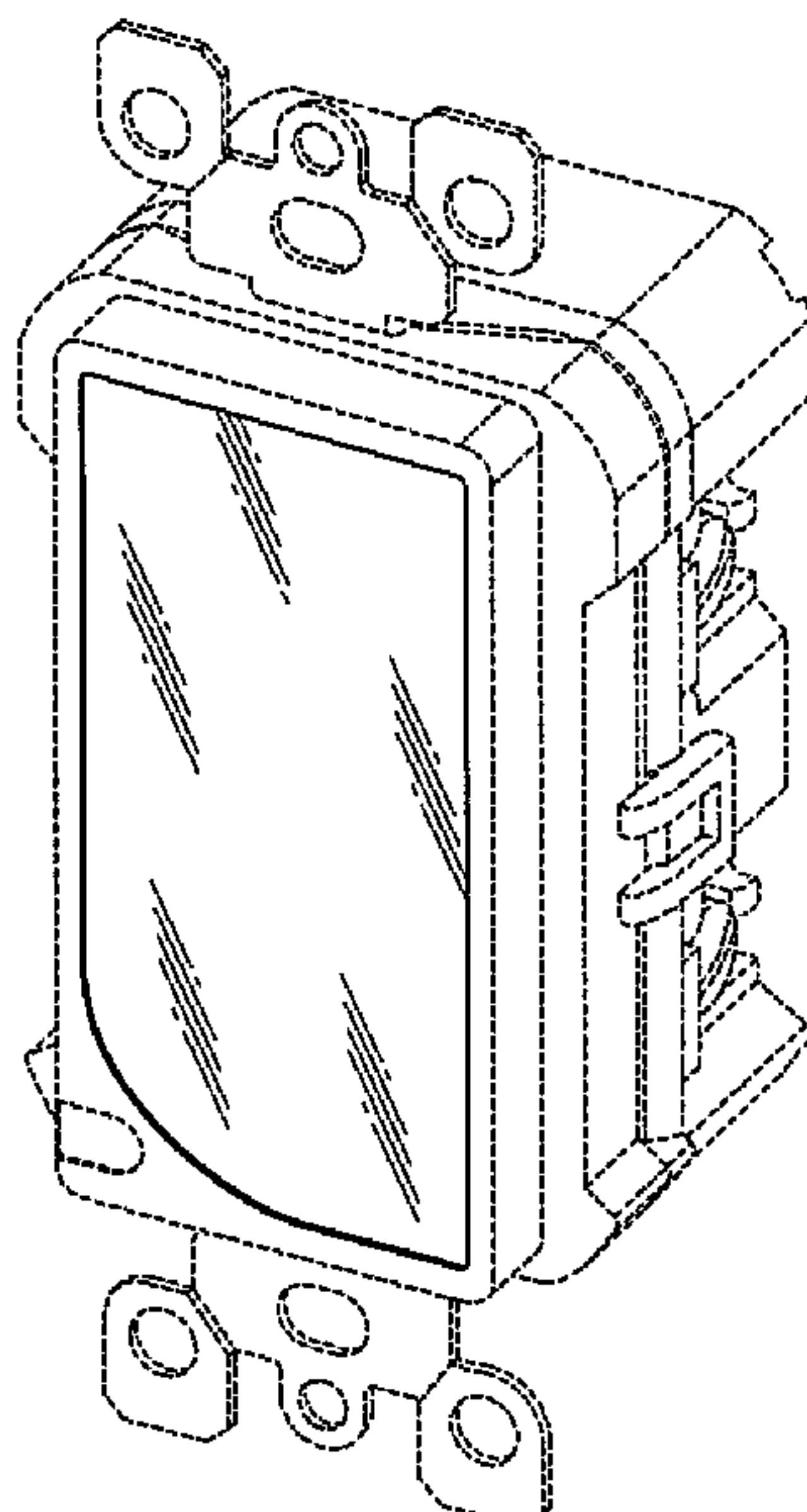
FIG. 1 is a front right perspective view illustrating our new design for a nightlight for an electrical device with the broken lines showing, for illustrative purposes only, a back plate, mounting straps and a housing that are not part of the claimed design;

FIG. 2 is a top view thereof with the broken lines showing the back plate, mounting straps and the housing;

FIG. 3 is a front view thereof with the dashed lines showing the back plate, the mounting straps and the housing; and,

FIG. 4 is a right side view thereof with the broken lines showing the back plate, the mounting straps and the housing.

**1 Claim, 2 Drawing Sheets**



# US D634,866 S

Page 2

## U.S. PATENT DOCUMENTS

4,514,789	A	4/1985	Jester				
4,522,455	A	6/1985	Johnson				
4,546,419	A	10/1985	Johnson				
4,667,073	A	5/1987	Osika				
4,755,913	A	7/1988	Sleveland				
4,774,641	A	9/1988	Rice				
D342,581	S *	12/1993	Reynolds	.....	D26/26		
D345,219	S *	3/1994	Granda et al.	.....	D25/103		
D359,346	S *	6/1995	Martin	.....	D23/366		
5,473,517	A	12/1995	Blackman				
D366,339	S	1/1996	Waller				
5,485,356	A	1/1996	Nguyen				
D375,808	S *	11/1996	Fang	.....	D26/26		
D376,436	S *	12/1996	Emmerling	.....	D26/26		
5,696,350	A	12/1997	Anker et al.				
D392,756	S *	3/1998	Hanig et al.	.....	D26/26		
D397,812	S *	9/1998	Schifrin	.....	D26/26		
5,833,350	A	11/1998	Moreland				
5,934,451	A	8/1999	Yu et al.				
D413,862	S	9/1999	Huang et al.				
6,000,807	A	12/1999	Moreland				
6,005,189	A	12/1999	Anker et al.				
6,045,232	A	4/2000	Buckmaster				
6,078,113	A	6/2000	True et al.				
D427,887	S *	7/2000	Leopold et al.	.....	D8/353		
6,089,893	A	7/2000	Yu et al.				
6,350,039	B1	2/2002	Lee				
6,386,725	B1	5/2002	Amburgery				
6,421,941	B1 *	7/2002	Finke et al.	.....	40/611.05		
6,437,700	B1	8/2002	Herzfeld et al.				
D468,033	S *	12/2002	Warren et al.	.....	D26/26		
6,547,411	B1	4/2003	Dornbusch				
6,593,530	B2 *	7/2003	Hunt	.....	174/66		
D482,736	S *	11/2003	Manville	.....	D21/484		
6,765,149	B1	7/2004	Ku				
6,805,469	B1	10/2004	Barton				
6,808,283	B2 *	10/2004	Tsao	.....	362/95		
6,827,602	B2	12/2004	Greene et al.				
6,883,927	B2	4/2005	Cunningham et al.				
D505,395	S *	5/2005	Fort et al.	.....	D13/170		
6,888,323	B1	5/2005	Null et al.				
D508,233	S *	8/2005	Kasae et al.	.....	D13/180		
6,929,376	B2	8/2005	Harris				
D510,913	S *	10/2005	Sumitani	.....	D13/180		
6,962,505	B1	11/2005	Savicki, Jr. et al.				
6,986,589	B2	1/2006	Evans et al.				
D515,448	S	2/2006	Nelson et al.				
D515,449	S	2/2006	Nelson et al.				
D515,959	S	2/2006	Nelson et al.				
D515,960	S	2/2006	Nelson et al.				
7,036,948	B1	5/2006	Wyatt				
7,045,975	B2	5/2006	Evans				
D525,228	S *	7/2006	Kim et al.	.....	D14/138 AA		
7,118,235	B2	10/2006	Barton				
D534,873	S	1/2007	Merritt et al.				
D535,627	S	1/2007	Merritt et al.				
D542,230	S	5/2007	Merritt et al.				
D542,257	S *	5/2007	Ahn et al.	.....	D14/138 AA		
D543,159	S	5/2007	Merritt et al.				
D553,102	S	10/2007	Merritt et al.				
7,285,723	B2	10/2007	Lindenstrauss et al.				
7,360,912	B1 *	4/2008	Savicki, Jr.	.....	362/95		
D570,340	S *	6/2008	Sheu et al.	.....	D14/247		
7,416,310	B1 *	8/2008	Savicki, Jr.	.....	362/95		
D578,163	S *	10/2008	Chou	.....	D19/99		
D589,009	S *	3/2009	Sumitani	.....	D13/180		
D594,664	S *	6/2009	Otte	.....	D5/63		
2002/0172042	A1	11/2002	Wen-Chung				
2005/0012633	A1	1/2005	Yoon				
2005/0152128	A1	7/2005	Campman				
2005/0277388	A1 *	12/2005	Kim et al.	.....	455/90.3		
2007/0171625	A1 *	7/2007	Glazner	.....	362/95		
2007/0251712	A1	11/2007	Berg et al.				
2007/0291469	A1 *	12/2007	Chen	.....	362/95		
2008/0073117	A1	3/2008	Misener				
2009/0032278	A1 *	2/2009	Weeks et al.	.....	174/53		
2009/0052162	A1 *	2/2009	Richter et al.	.....	362/95		
2009/0141477	A1 *	6/2009	Bhosale et al.	.....	362/95		

\* cited by examiner

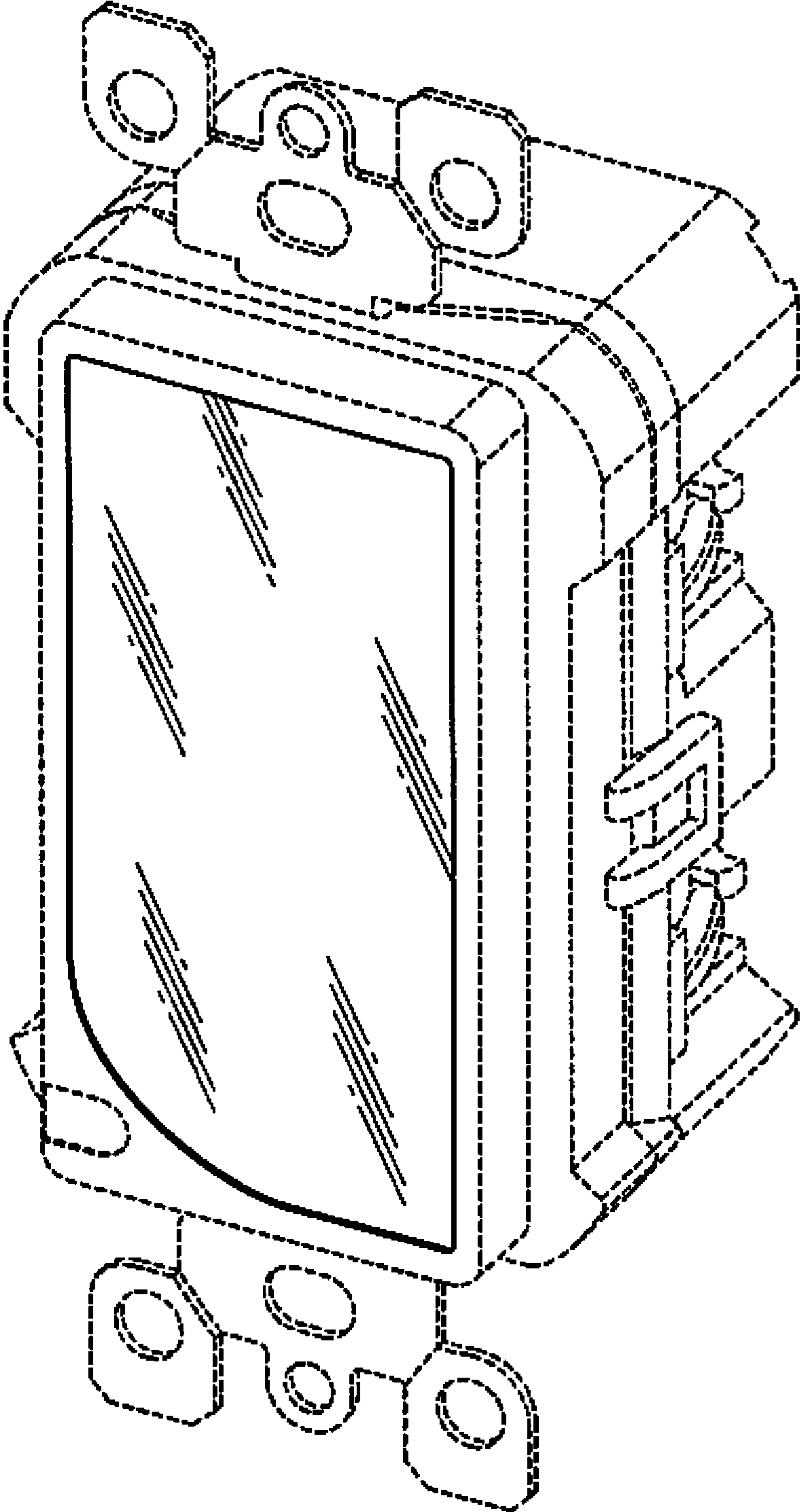


FIG. 1



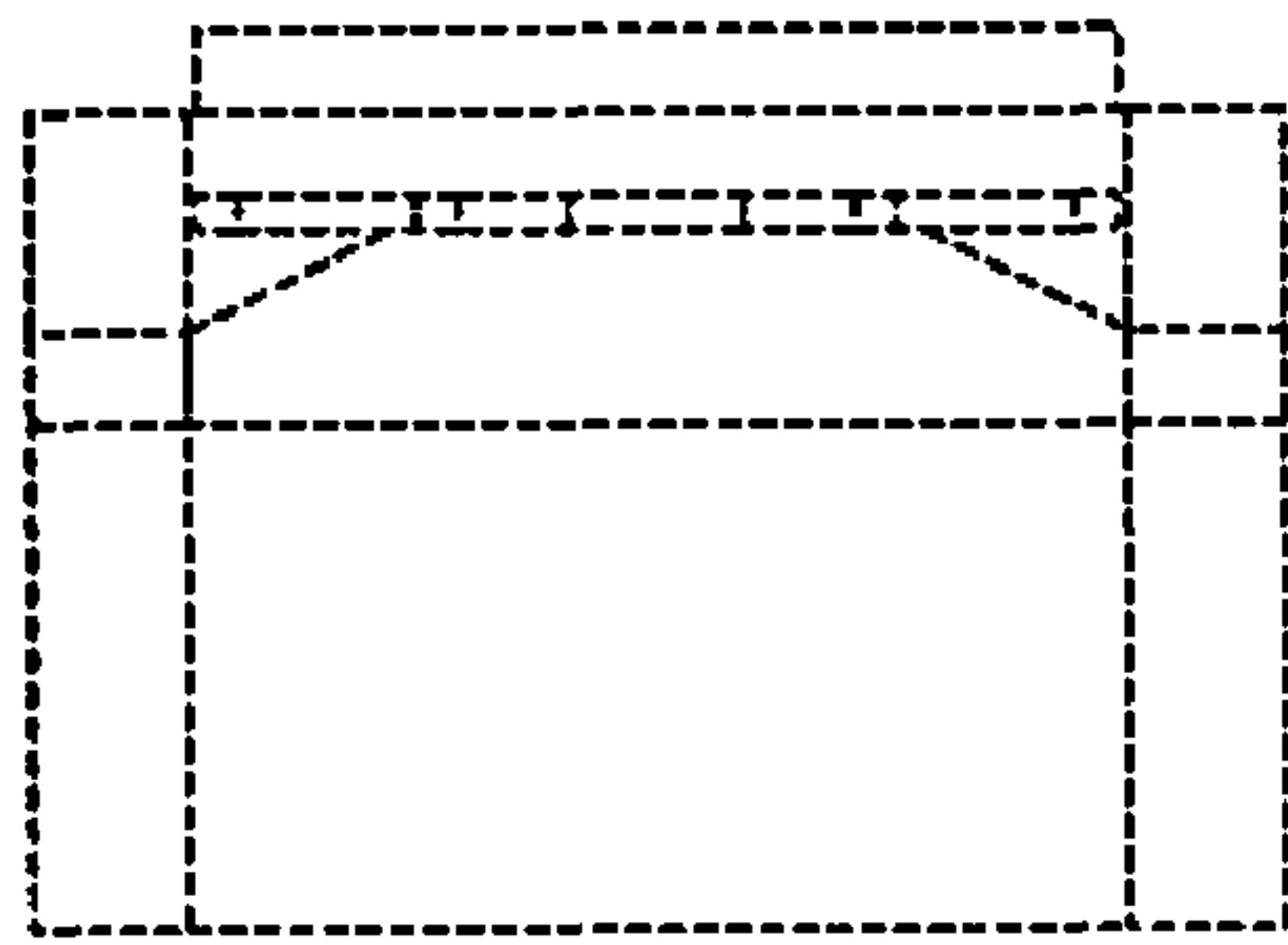


FIG. 2

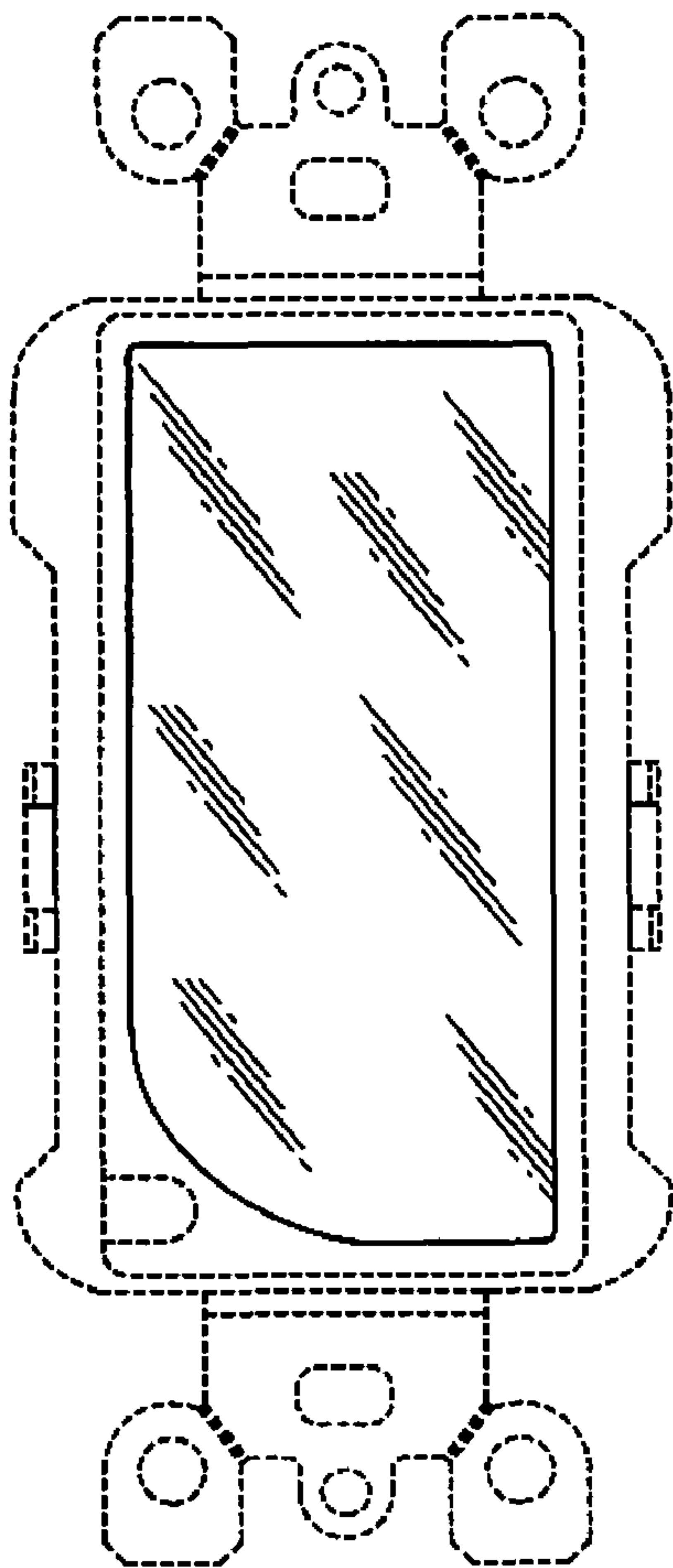


FIG. 3

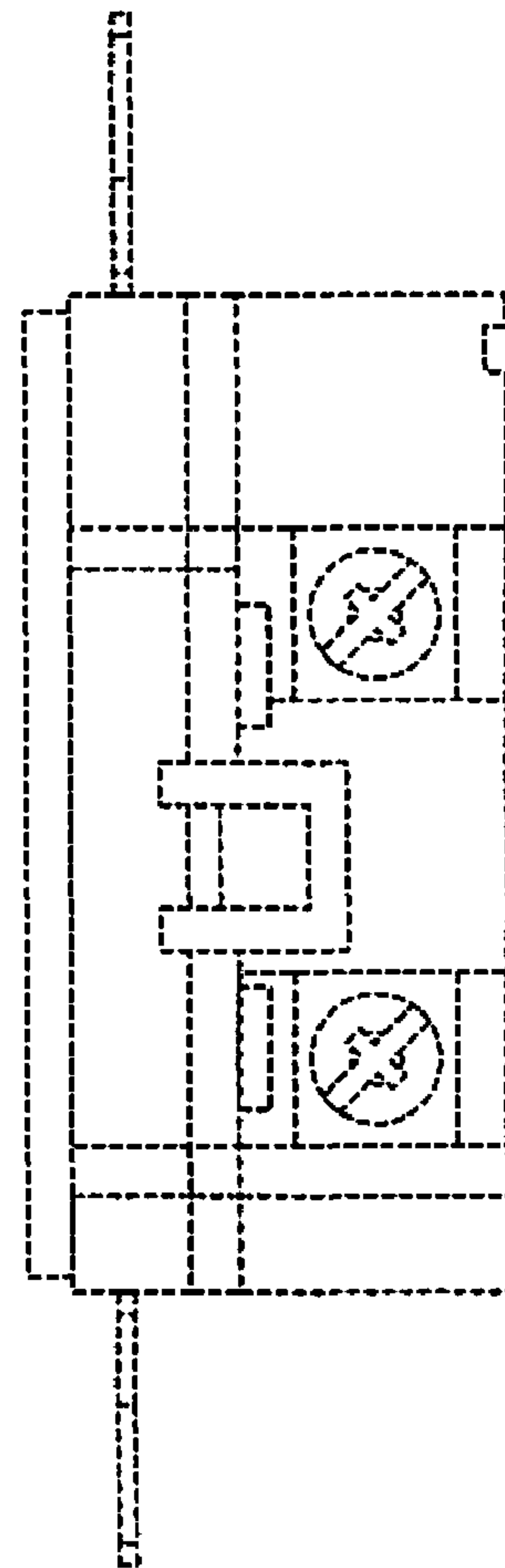


FIG. 4