



US00D634864S

(12) **United States Design Patent**  
**Chao**

(10) **Patent No.:** **US D634,864 S**

(45) **Date of Patent:** **\*\* Mar. 22, 2011**

(54) **LAMP HEAD**

(75) Inventor: **Wen-Hsin Chao**, St Albans (GB)

(73) Assignee: **Aurora Lighting Limited**  
**Incorporated**, Hong Kong (HK)

(\*\*) Term: **14 Years**

(21) Appl. No.: **29/330,655**

(22) Filed: **Jan. 12, 2009**

(30) **Foreign Application Priority Data**

Jul. 16, 2008 (EM) ..... 000973912

(51) **LOC (9) Cl.** ..... **26-04**

(52) **U.S. Cl.** ..... **D26/2**

(58) **Field of Classification Search** ..... D26/1-4;  
313/313, 315, 317, 318, 493; 315/52, 53,  
315/56, 57, 58

See application file for complete search history.

(56) **References Cited**

**U.S. PATENT DOCUMENTS**

D433,166 S \* 10/2000 Noll ..... D26/2

D435,306 S \* 12/2000 McBride ..... D26/2

D498,007 S *	11/2004	Bobel .....	D26/2
D534,664 S *	1/2007	Geens .....	D26/2
D539,443 S *	3/2007	Kwong et al. ....	D26/2
D545,456 S *	6/2007	Foo .....	D26/2
D568,498 S *	5/2008	Degenhard et al. ....	D26/2
D581,555 S *	11/2008	To et al. ....	D26/2
D593,222 S *	5/2009	To et al. ....	D26/2
D594,997 S *	6/2009	Zhu et al. ....	D26/2
D600,370 S *	9/2009	MacKenzie .....	D26/2
D601,721 S *	10/2009	Foo .....	D26/2

\* cited by examiner

*Primary Examiner* — Marcus A Jackson

(74) *Attorney, Agent, or Firm* — Hayes Soloway P.C.

(57) **CLAIM**

The ornamental design for a lamp head, as shown and described.

**DESCRIPTION**

FIG. 1 is a perspective view from the side of a lamp head in accordance with my design;

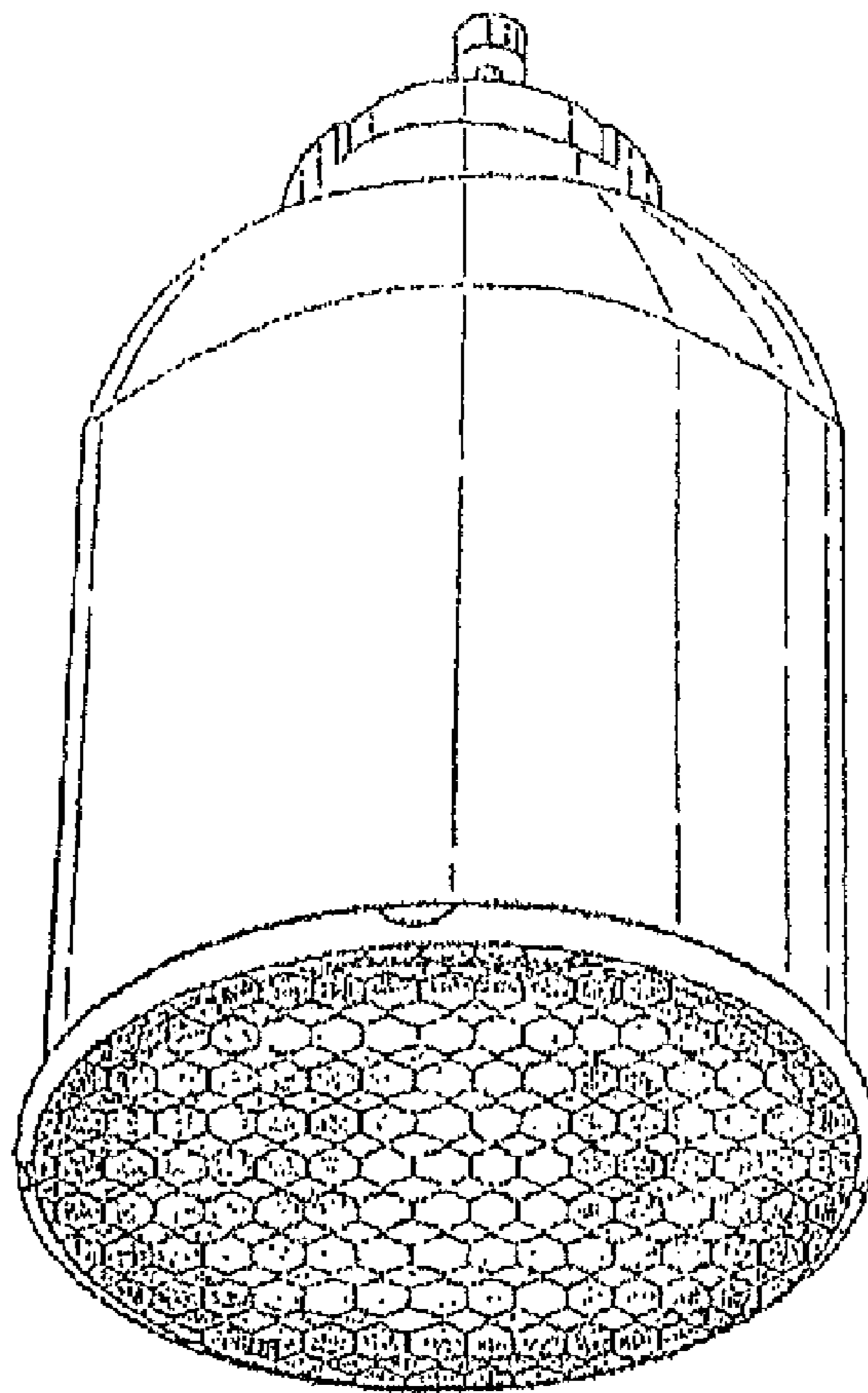
FIG. 2 is a side elevational view thereof;

FIG. 3 is a top plan view thereof; and,

FIG. 4 is a bottom plan view thereof.

The broken lines showing the lamp base are for illustrative purposes only and form no part of the claimed design.

**1 Claim, 2 Drawing Sheets**



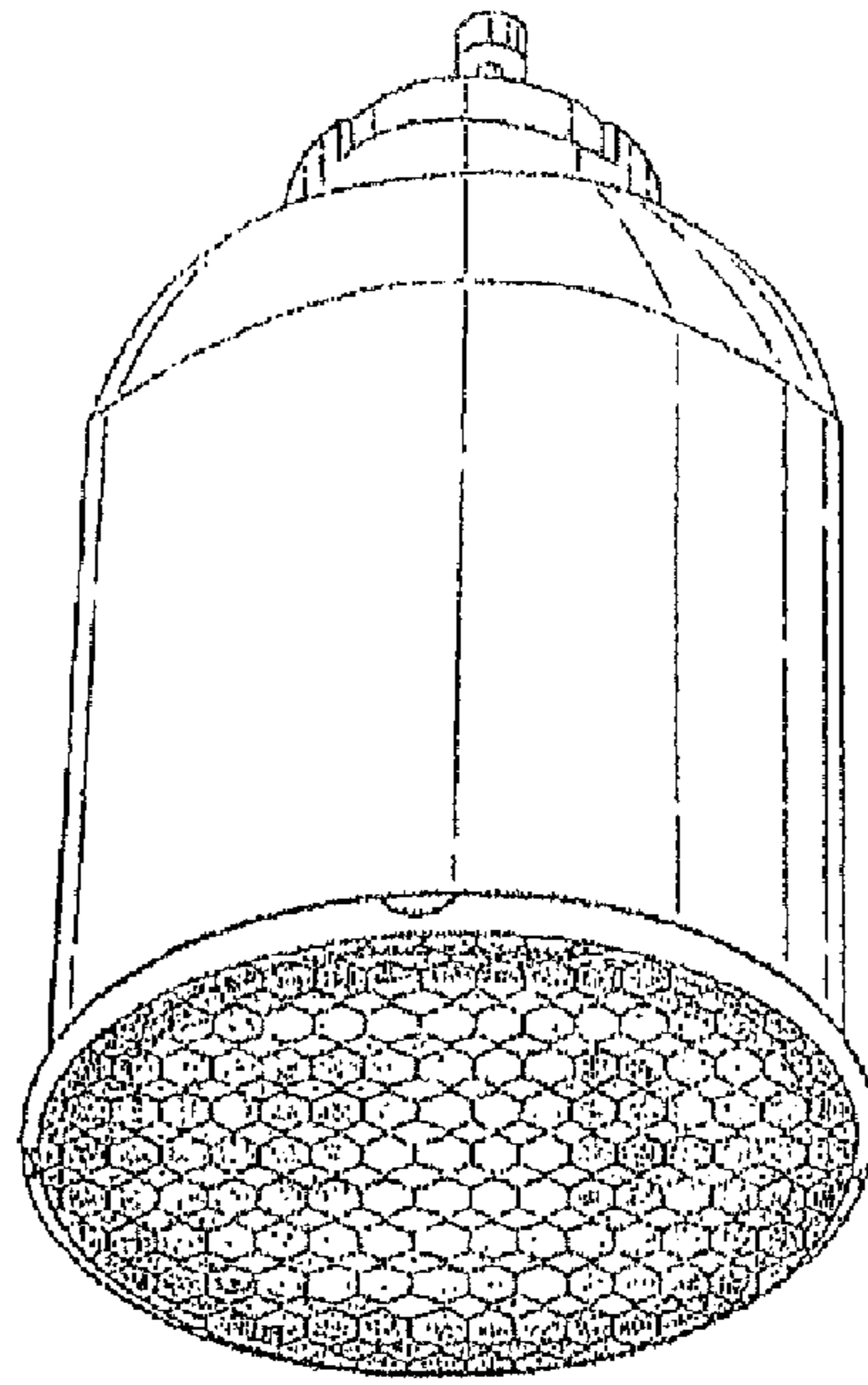


FIG. 1

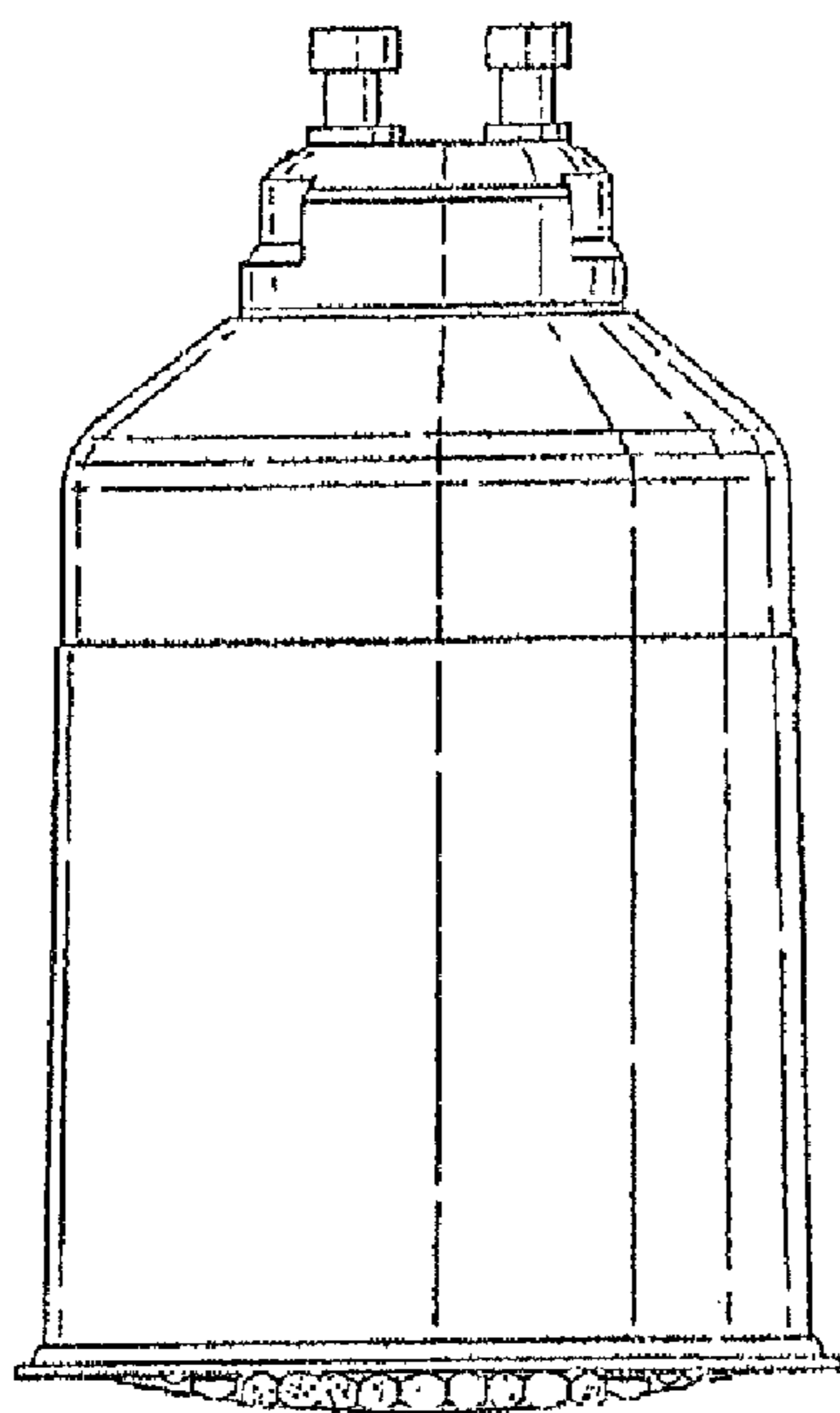


FIG. 2

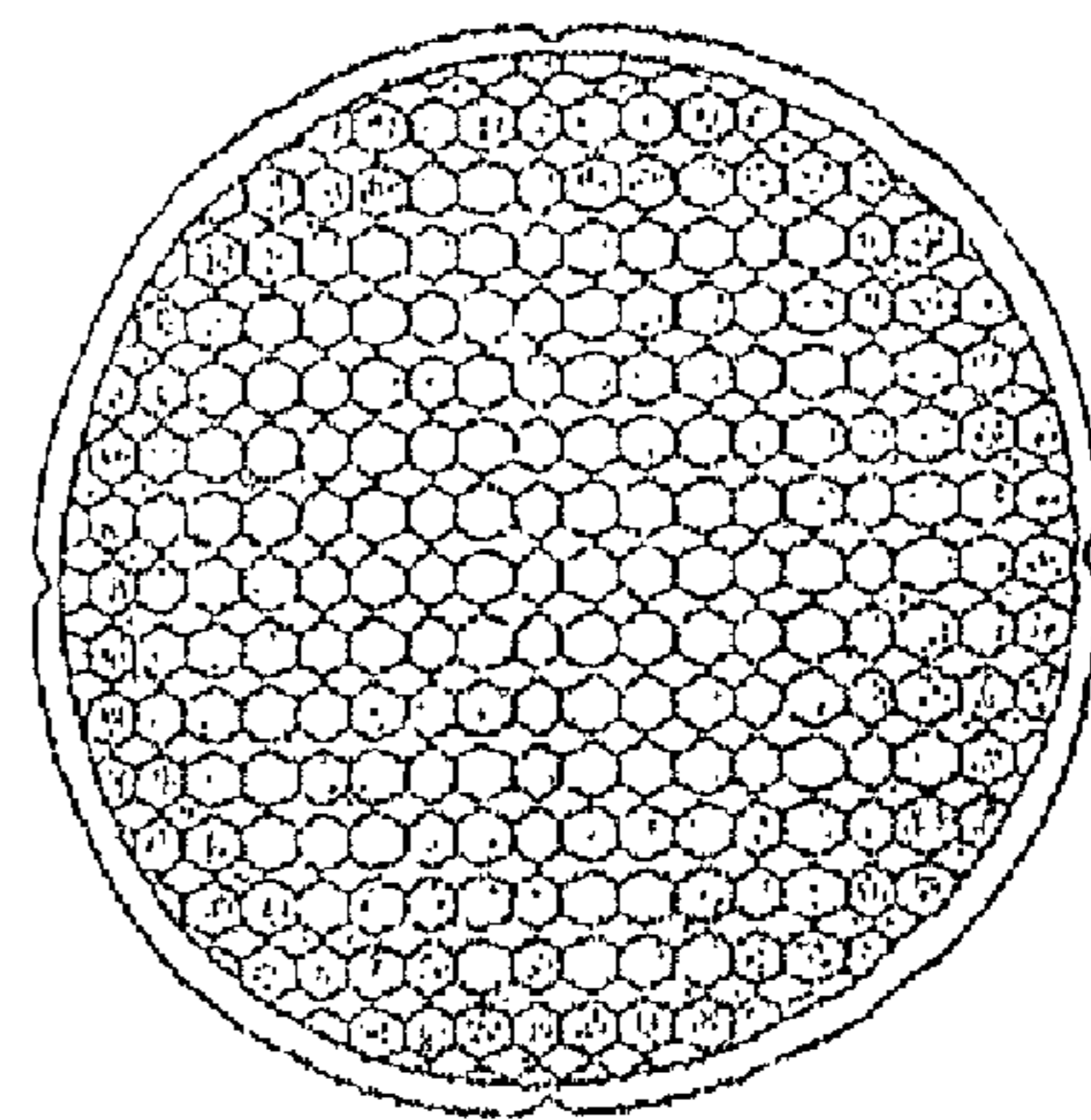


FIG. 3

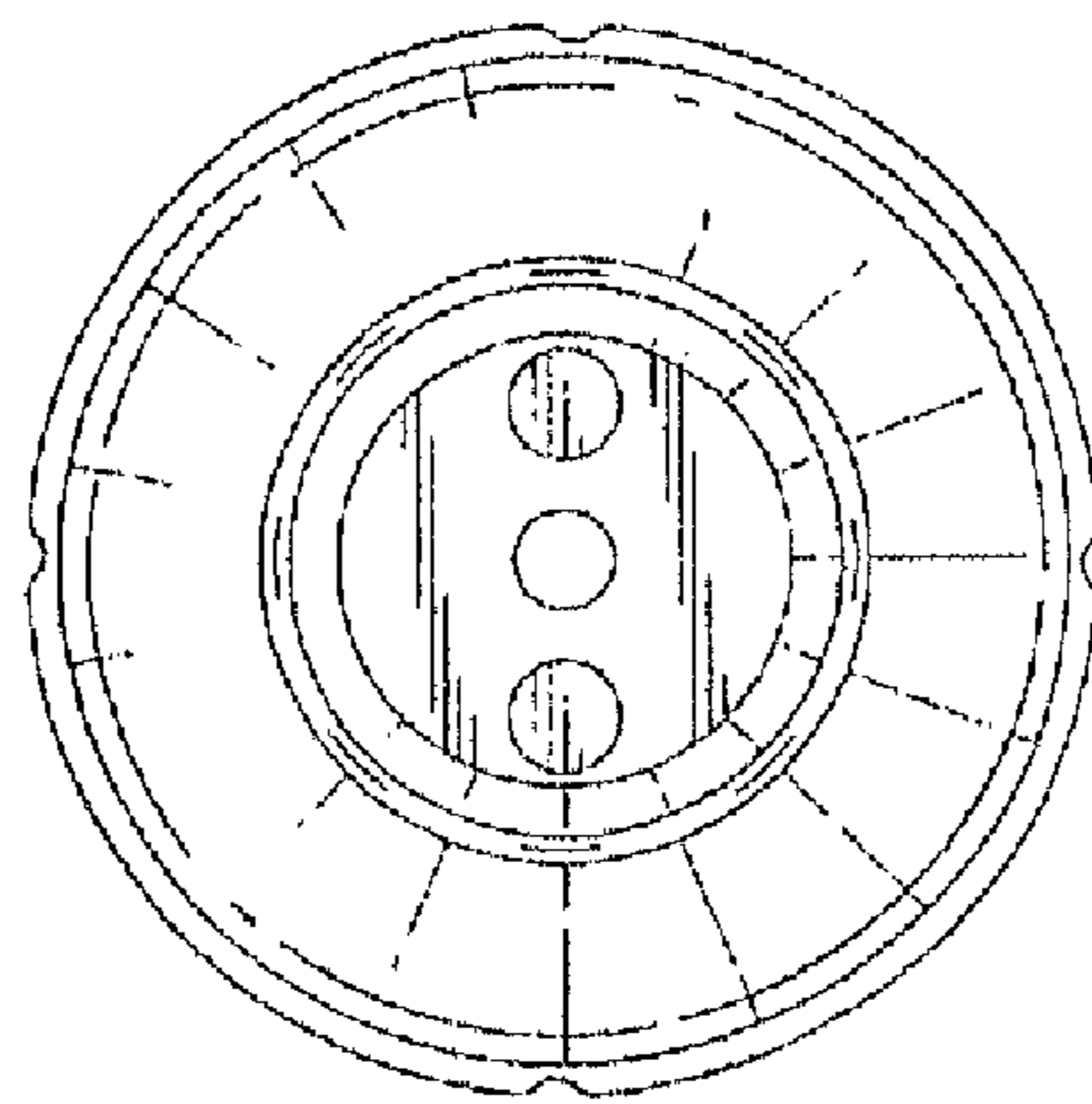


FIG. 4