



US00D634860S

(12) **United States Design Patent**
Kimble

(10) **Patent No.:** **US D634,860 S**

(45) **Date of Patent:** **** Mar. 22, 2011**

(54) **CONCRETE ANCHOR**

(75) Inventor: **Donald Lee Kimble**, Duvall, WA (US)

(73) Assignee: **Cape Fear Systems III L.L.C.**,
Wilmington, NC (US)

(**) Term: **14 Years**

(21) Appl. No.: **29/349,568**

(22) Filed: **Apr. 15, 2010**

(51) **LOC (9) Cl.** **25-01**

(52) **U.S. Cl.** **D25/133**

(58) **Field of Classification Search** D25/133,

D25/134; 52/125.4, 704; D8/385

See application file for complete search history.

(56) **References Cited**

U.S. PATENT DOCUMENTS

3,479,785 A * 11/1969 Asch 52/701
5,809,700 A * 9/1998 Roush et al. 52/4
5,953,879 A * 9/1999 Fischer et al. 52/704

D437,062 S * 1/2001 Lancelot et al. D25/133
7,111,432 B2 * 9/2006 Hansort 52/125.4
D590,242 S * 4/2009 Carter D8/385
2003/0019169 A1 * 1/2003 Francies et al. 52/125.4
2005/0183349 A1 * 8/2005 Hansort 52/125.4

* cited by examiner

Primary Examiner — Doris Clark

(74) *Attorney, Agent, or Firm* — MacCord Mason PLLC

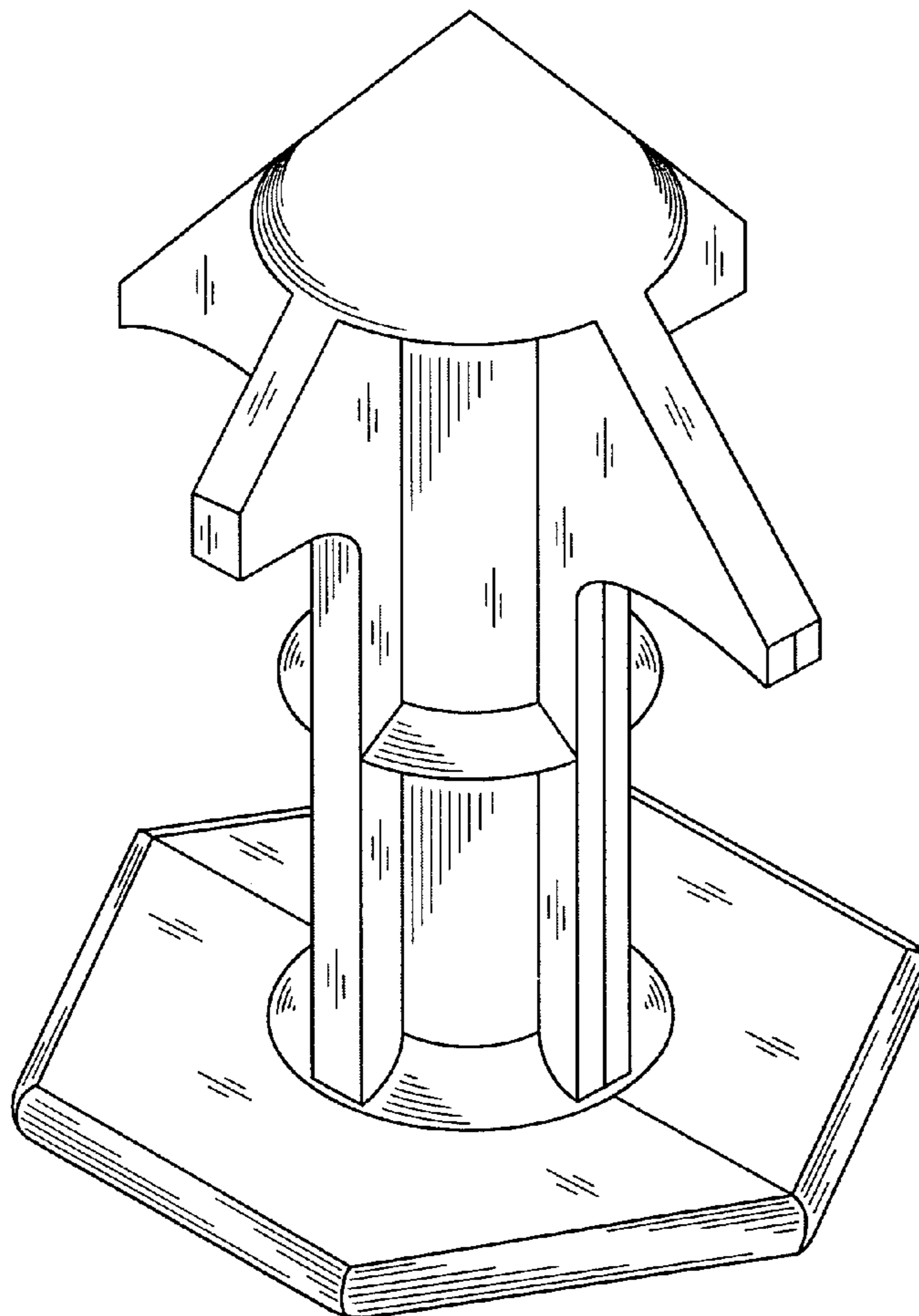
(57) **CLAIM**

The ornamental design for a concrete anchor, as shown and described.

DESCRIPTION

FIG. 1 is a perspective view of a concrete anchor;
FIG. 2 is a front view thereof;
FIG. 3 is a rear view thereof;
FIG. 4 is a left side view thereof;
FIG. 5 is a right side view thereof;
FIG. 6 is a bottom view thereof; and,
FIG. 7 is a top view thereof.

1 Claim, 6 Drawing Sheets



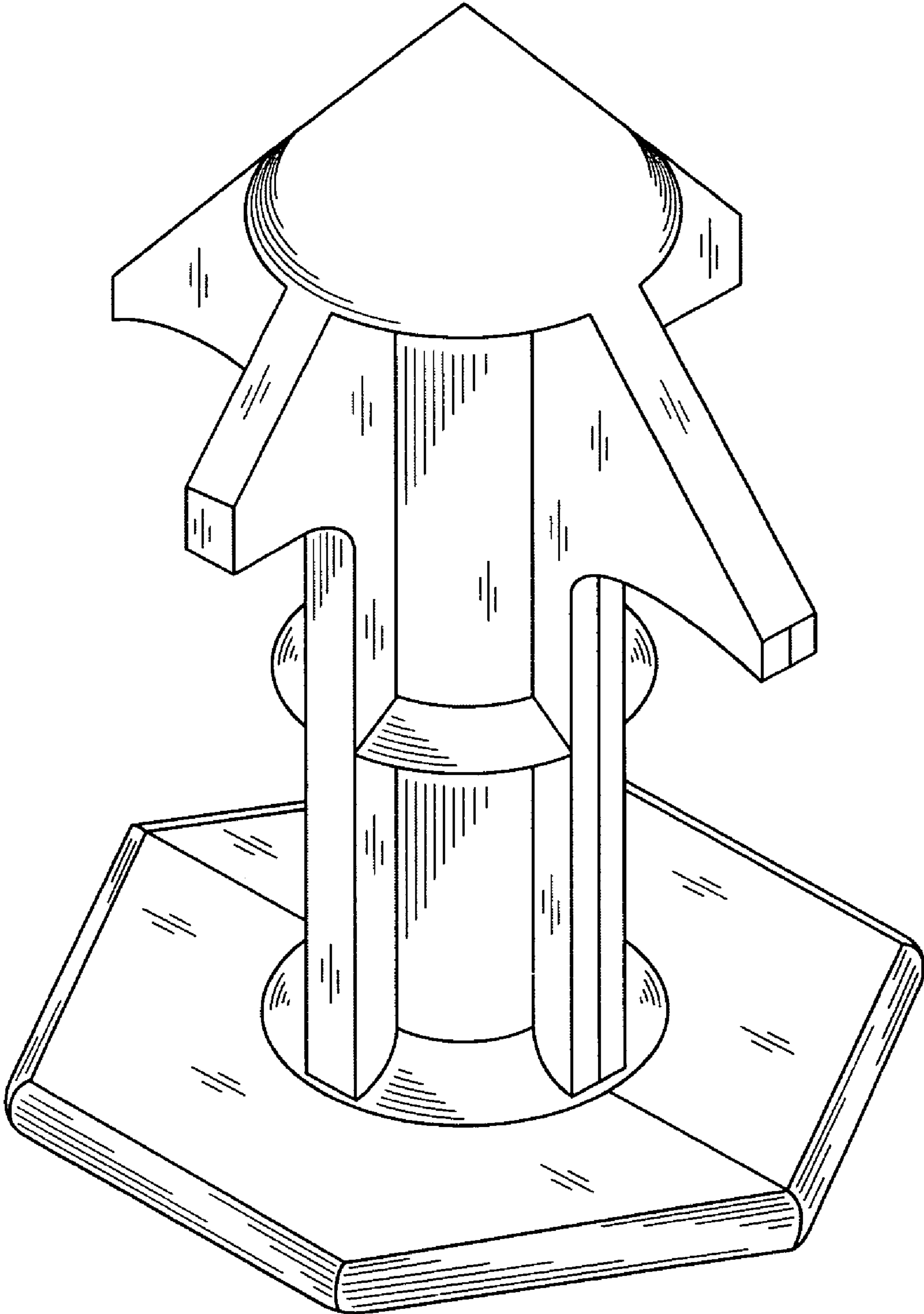


FIG. 1

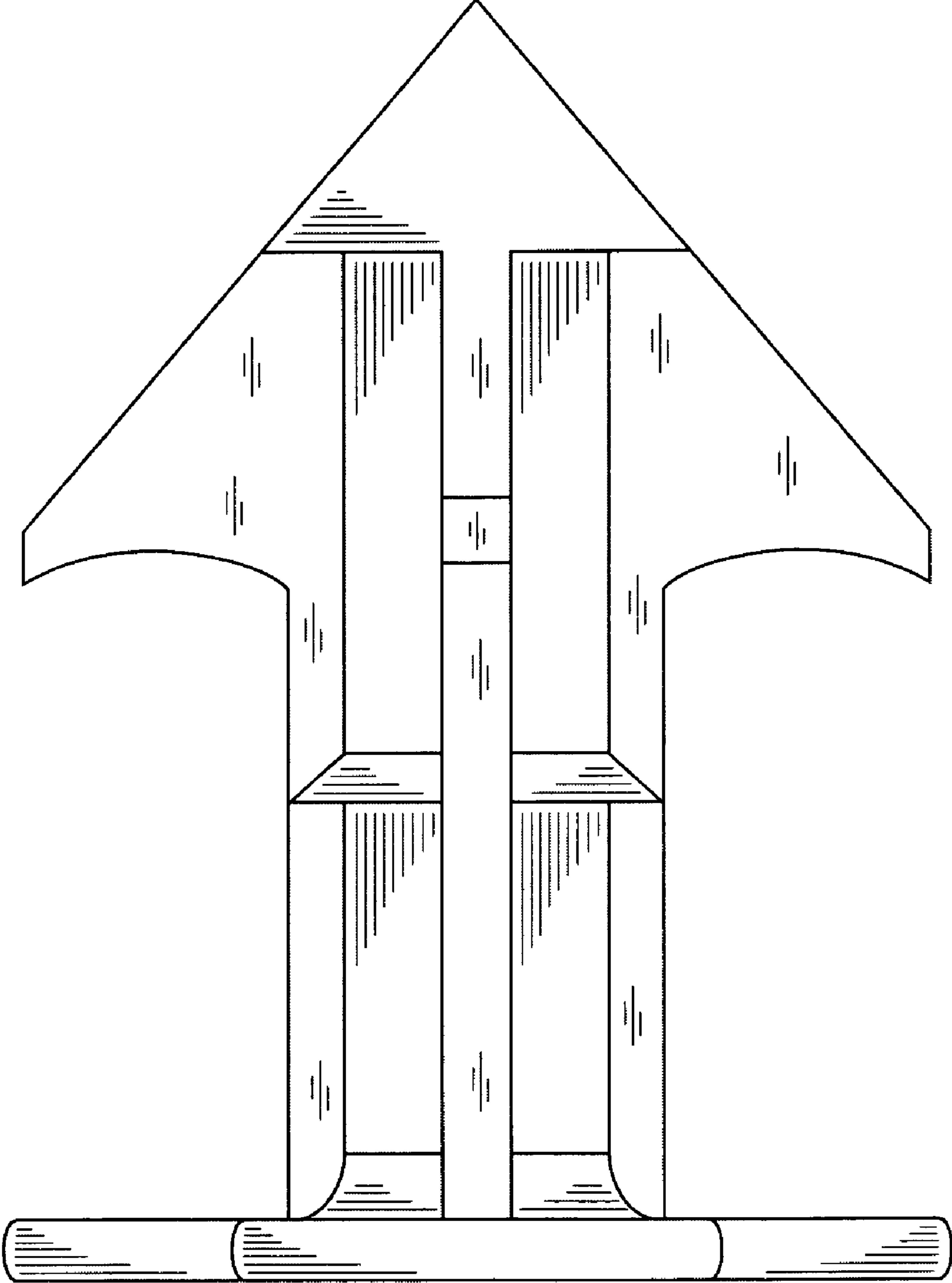


FIG. 2

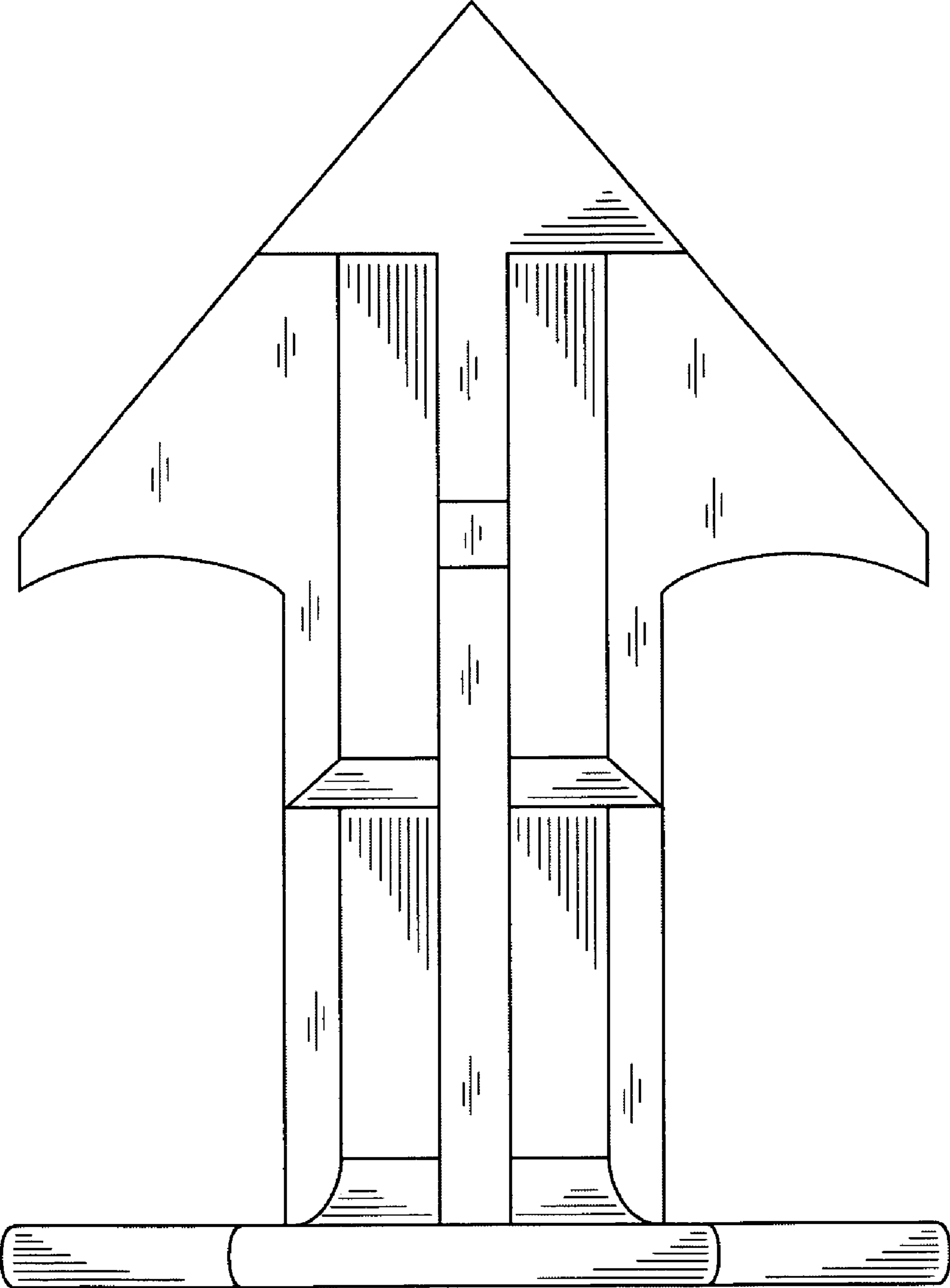


FIG. 3

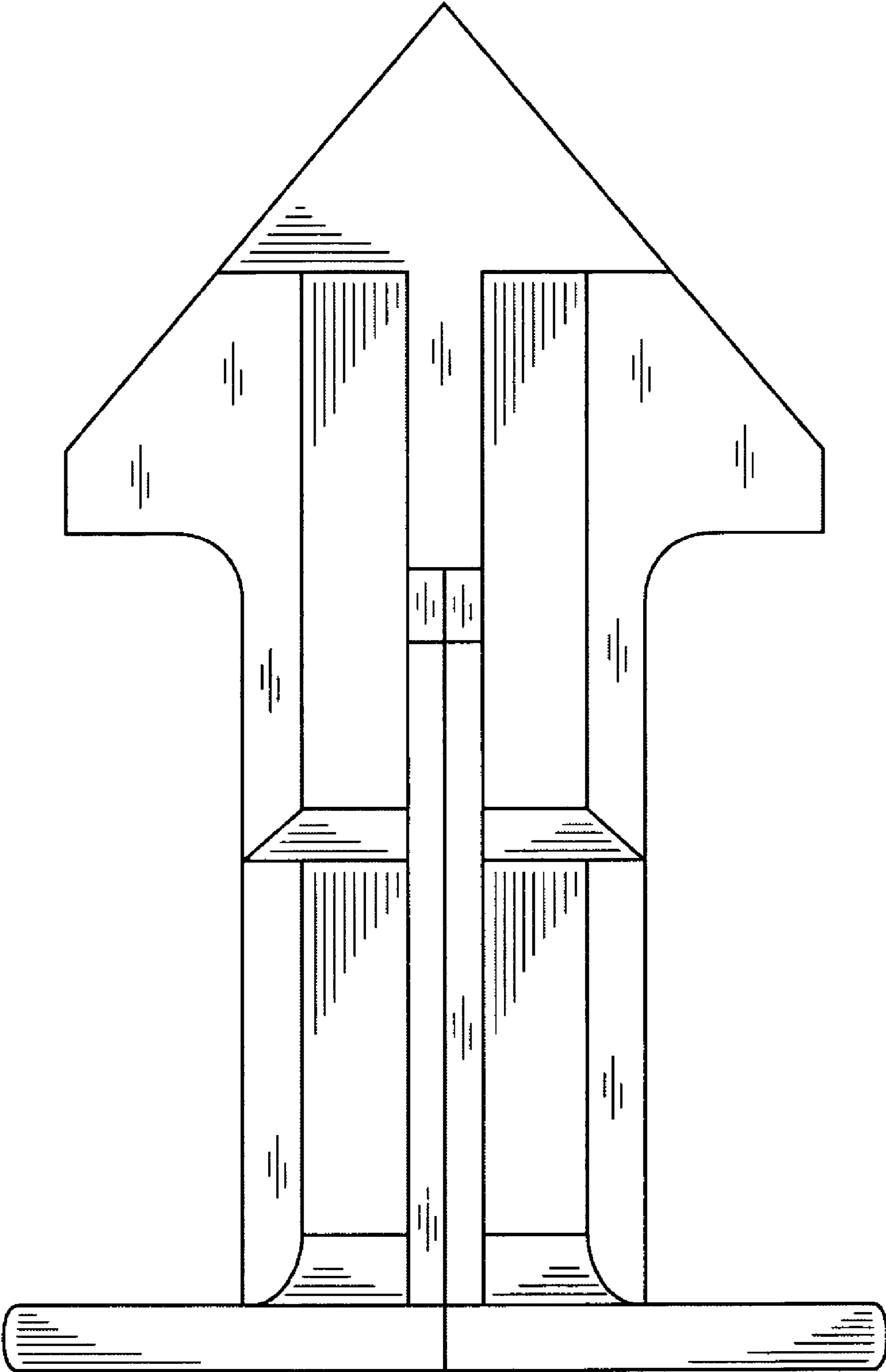


FIG. 4

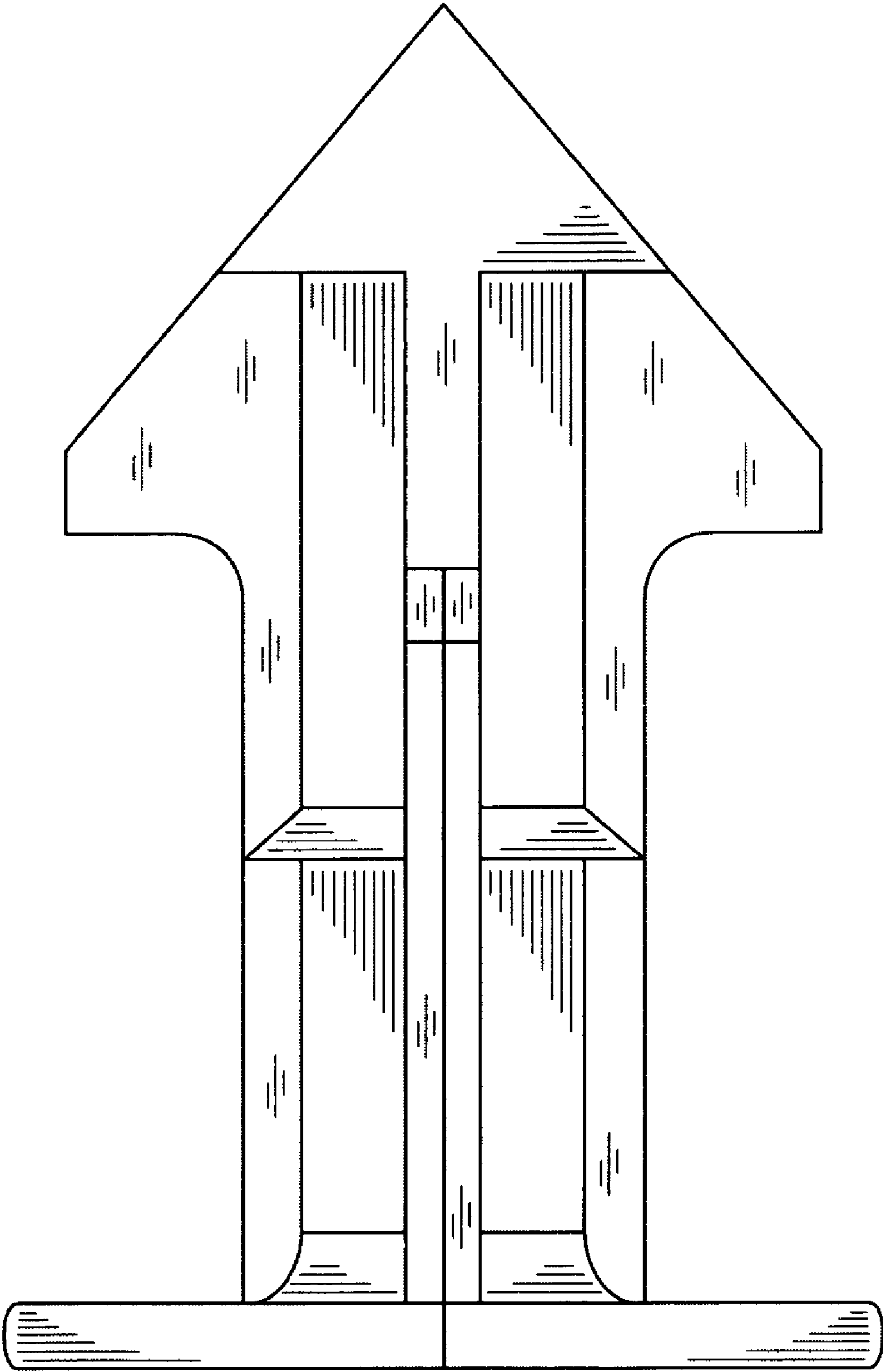


FIG. 5

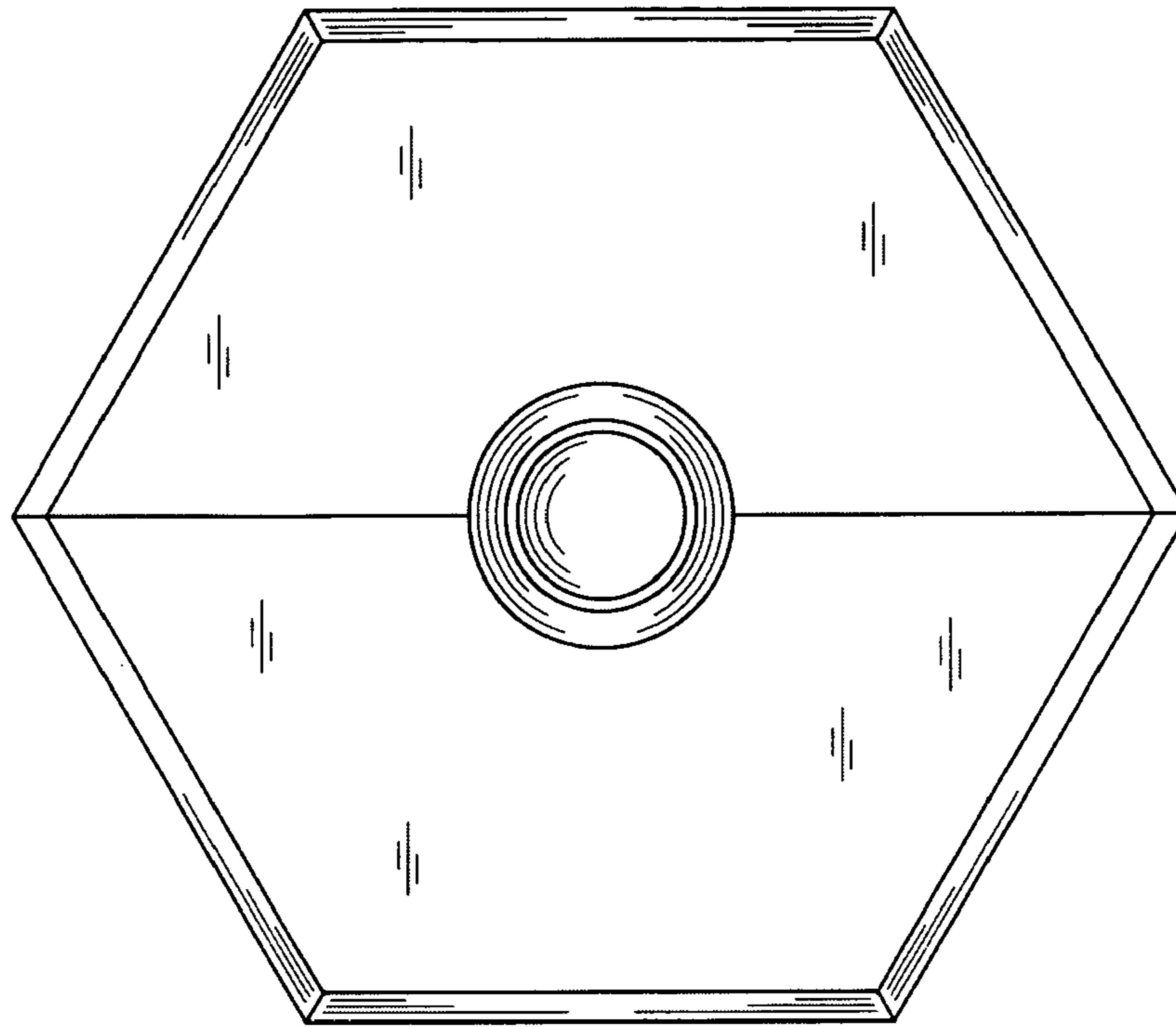


FIG. 6

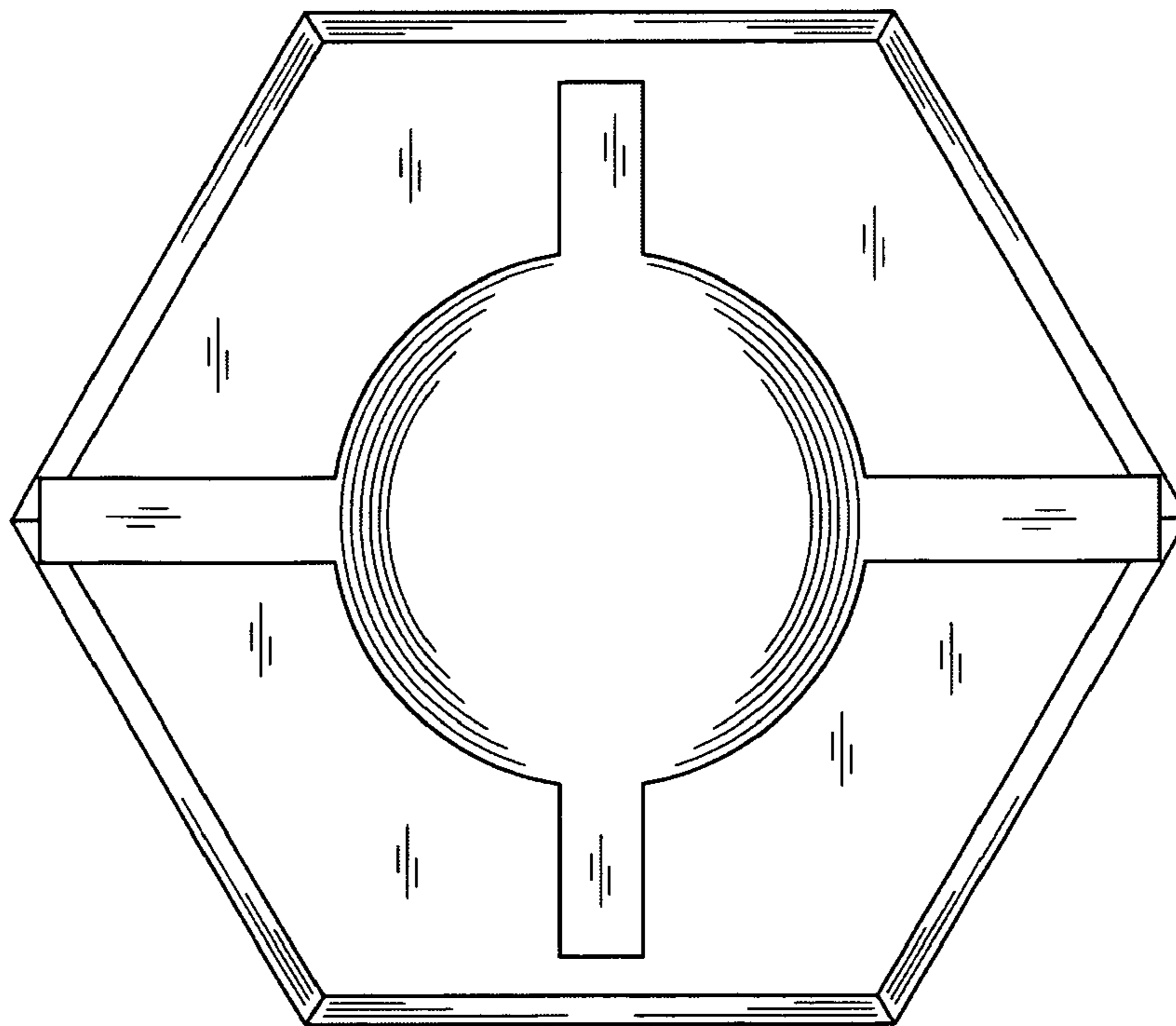


FIG. 7