



US00D634858S

(12) **United States Design Patent**
Landau et al.

(10) **Patent No.:** **US D634,858 S**
(45) **Date of Patent:** **** Mar. 22, 2011**

(54) **SAWHORSE**

(75) Inventors: **Eitan Landau**, Netanya (IL); **Elad Hay Shitrit**, Tel Aviv (IL)

(73) Assignee: **The Stanley Works Israel Ltd.**, Rosh Ha'Ayin (IL)

(**) Term: **14 Years**

(21) Appl. No.: **29/367,782**

(22) Filed: **Aug. 12, 2010**

(51) **LOC (9) Cl.** **25-04**

(52) **U.S. Cl.** **D25/67**

(58) **Field of Classification Search** D25/67;
182/153, 155, 152, 179.1, 181.1, 224
See application file for complete search history.

(56) **References Cited**

U.S. PATENT DOCUMENTS

- D379,236 S * 5/1997 Sheftel D25/67
- D409,764 S * 5/1999 Laga D25/68
- 6,810,996 B2 * 11/2004 Rump 182/186.5

* cited by examiner

Primary Examiner — Doris Clark

(74) *Attorney, Agent, or Firm* — Pillsbury Winthrop Shaw Pittman LLP

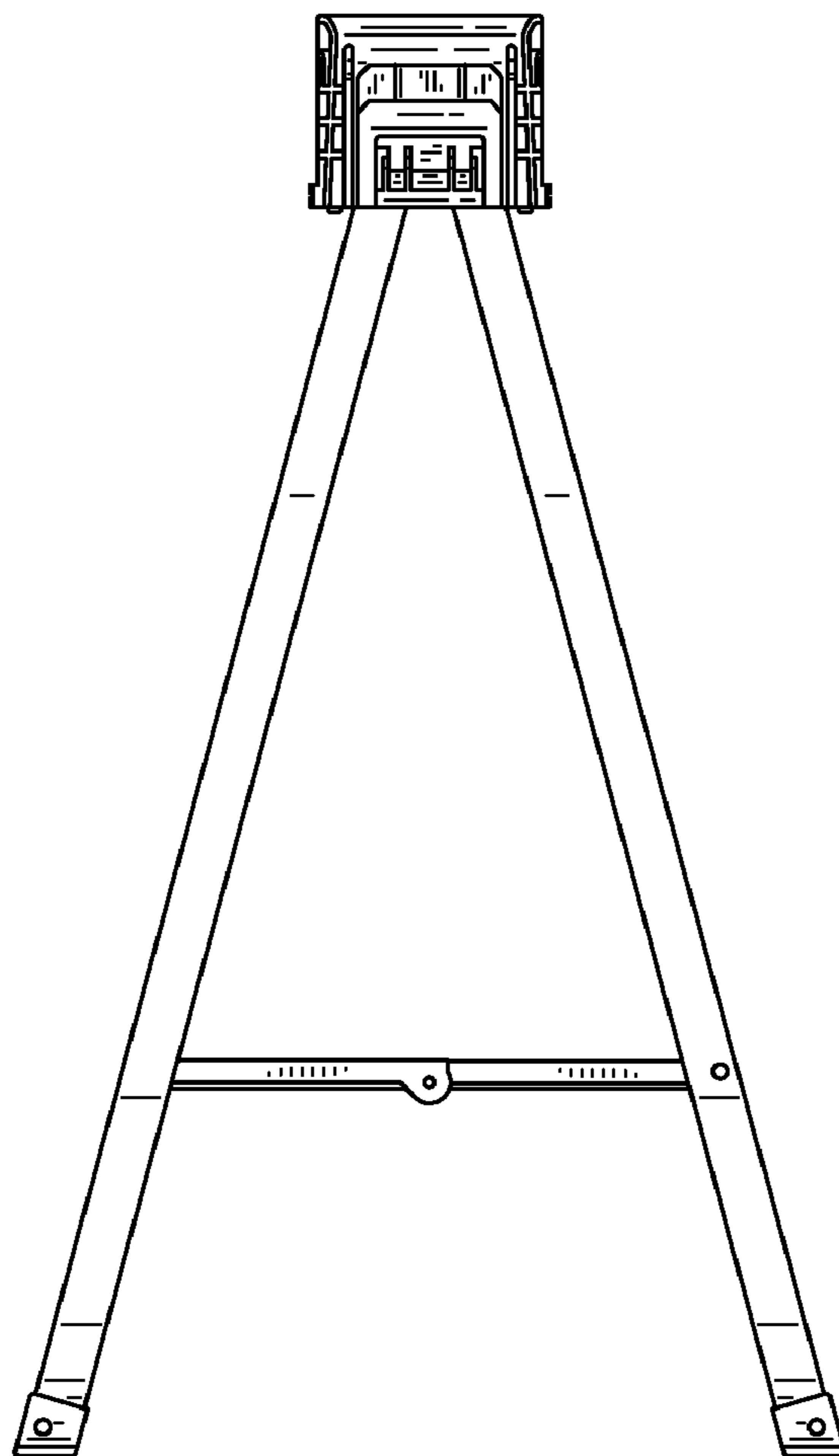
(57) **CLAIM**

The ornamental design for a sawhorse, as shown and described.

DESCRIPTION

FIG. 1 is an isometric view according to our design; FIG. 2 is a front plan view of the design of FIG. 1; FIG. 3 is a rear plan view of the design of FIG. 1; FIG. 4 is a right side plan view of the design of FIG. 1; FIG. 5 is a left side plan view of the design of FIG. 1; FIG. 6 is a top plan view of the design of FIG. 1; and, FIG. 7 is a bottom plan view of the design of FIG. 1. Where included, broken lines showing environment or structure are for illustrative purposes only and form no part of the claimed design.

1 Claim, 6 Drawing Sheets



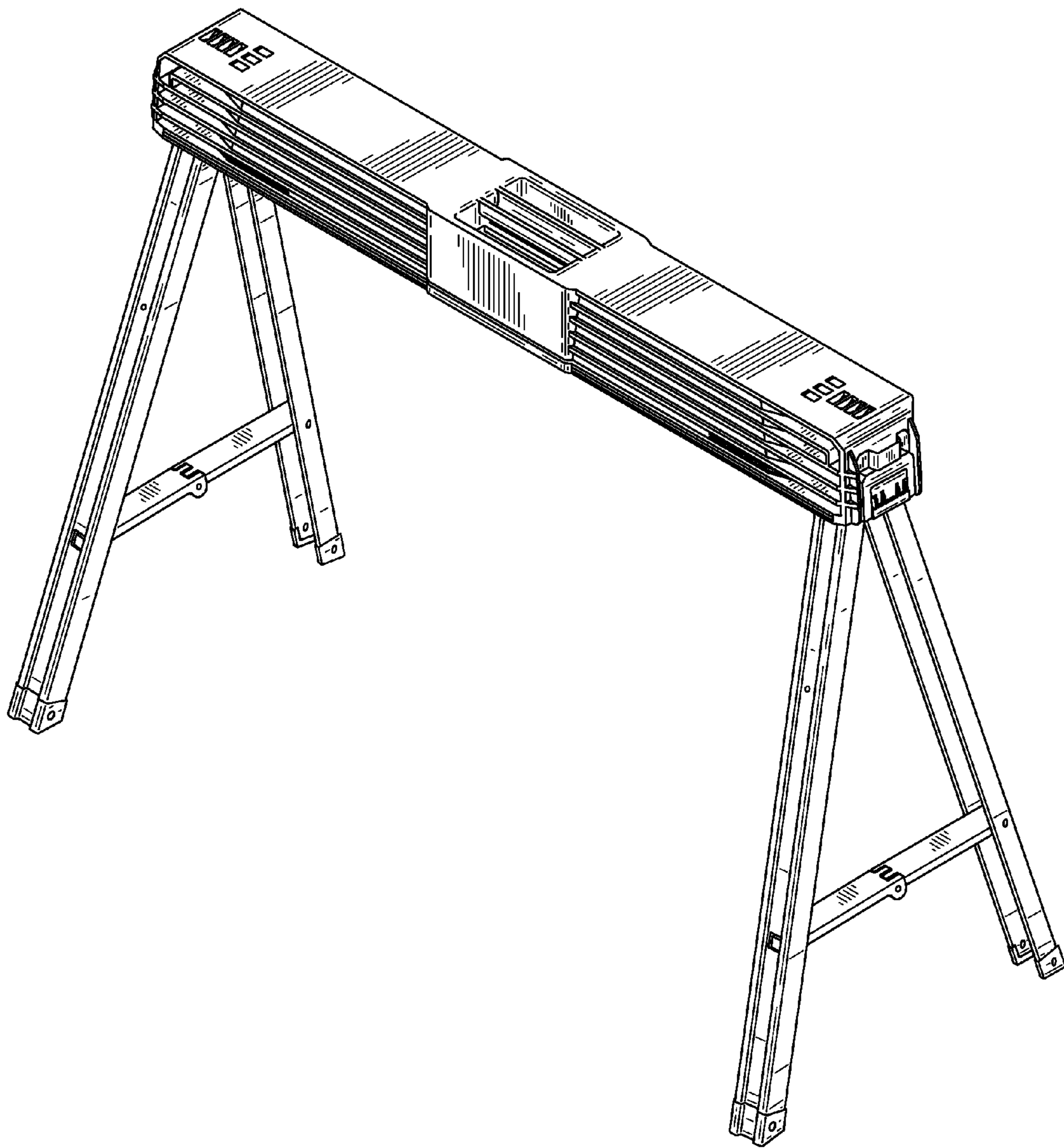


FIG. 1

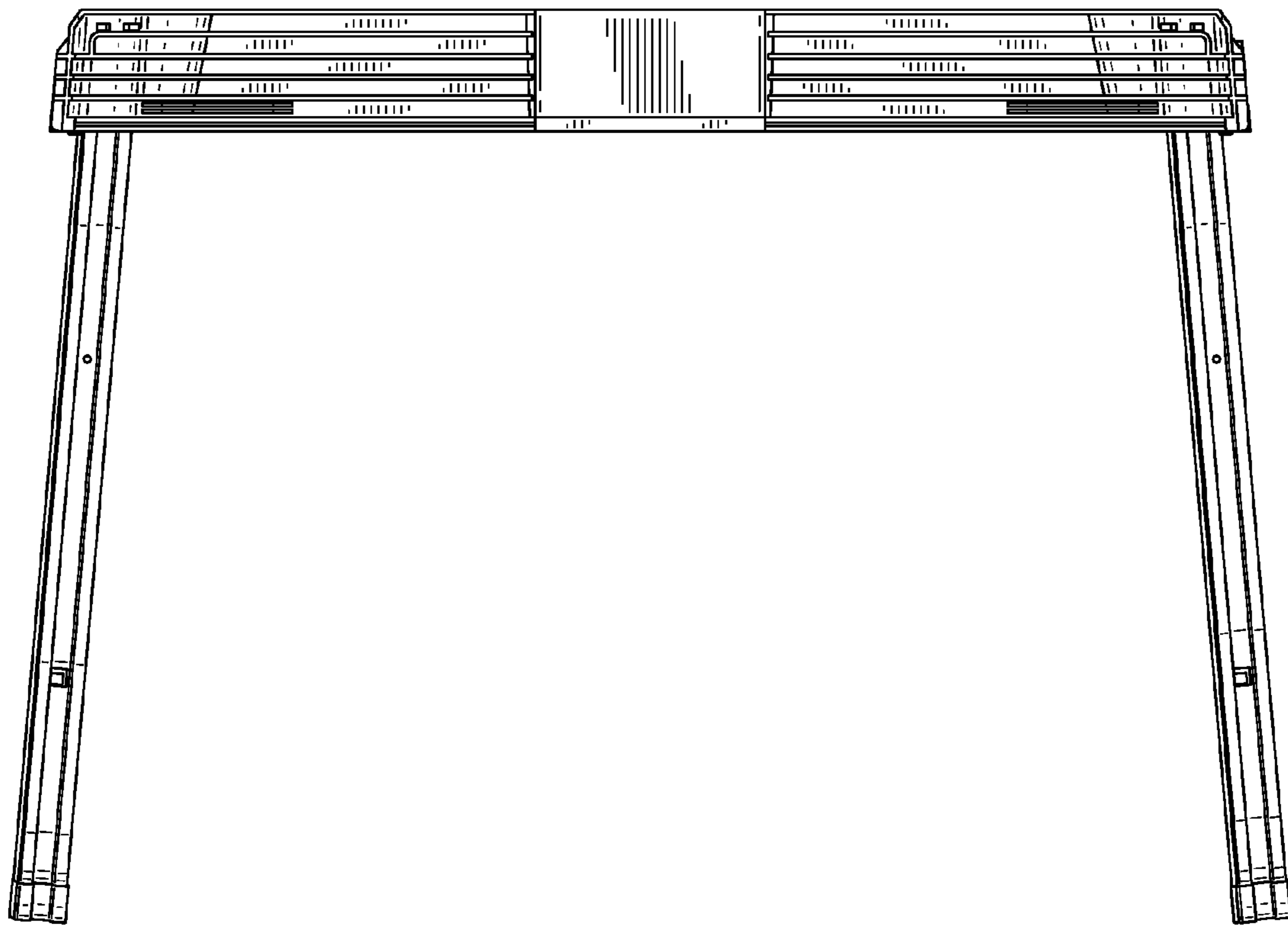


FIG. 2

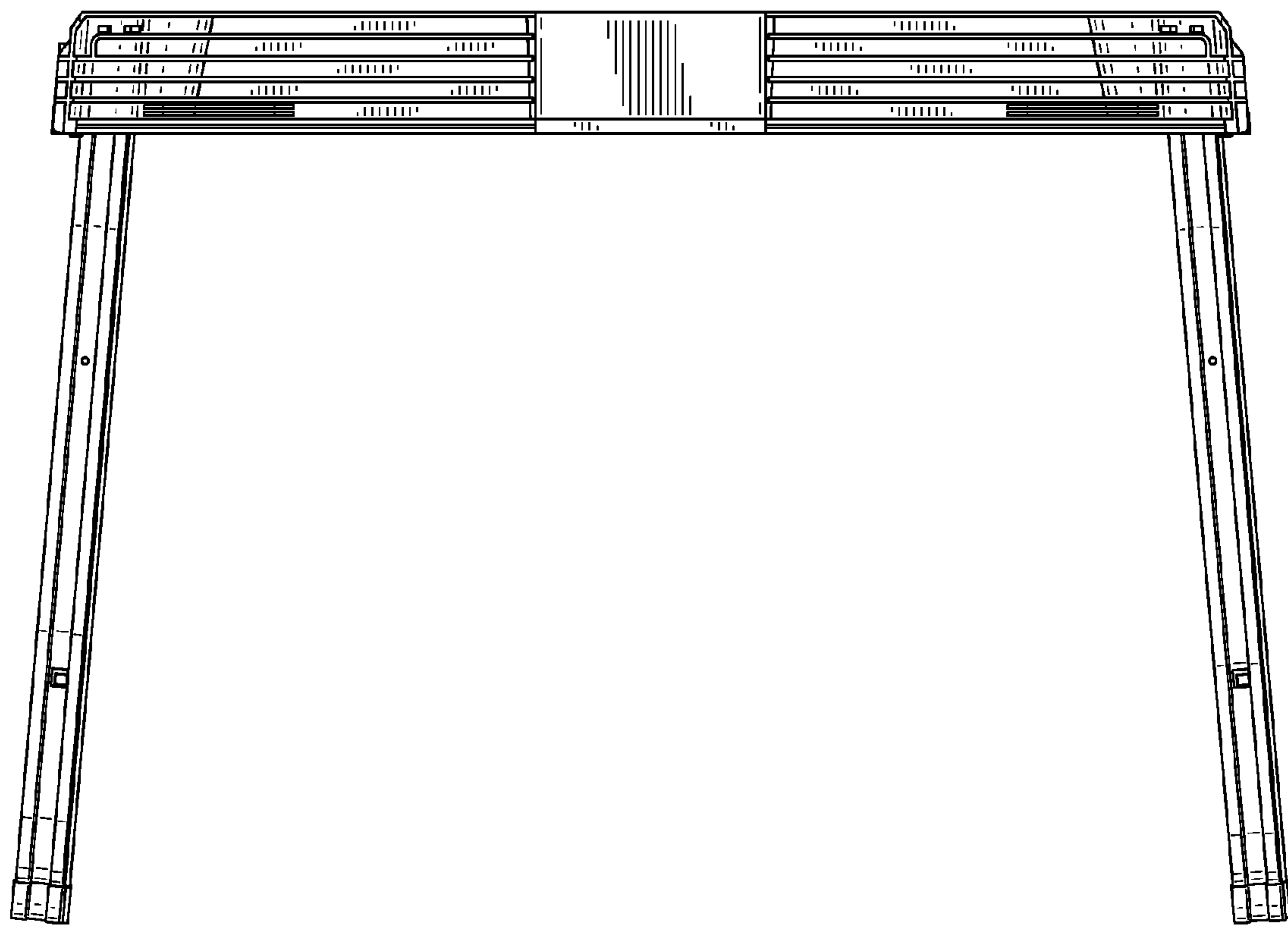


FIG. 3

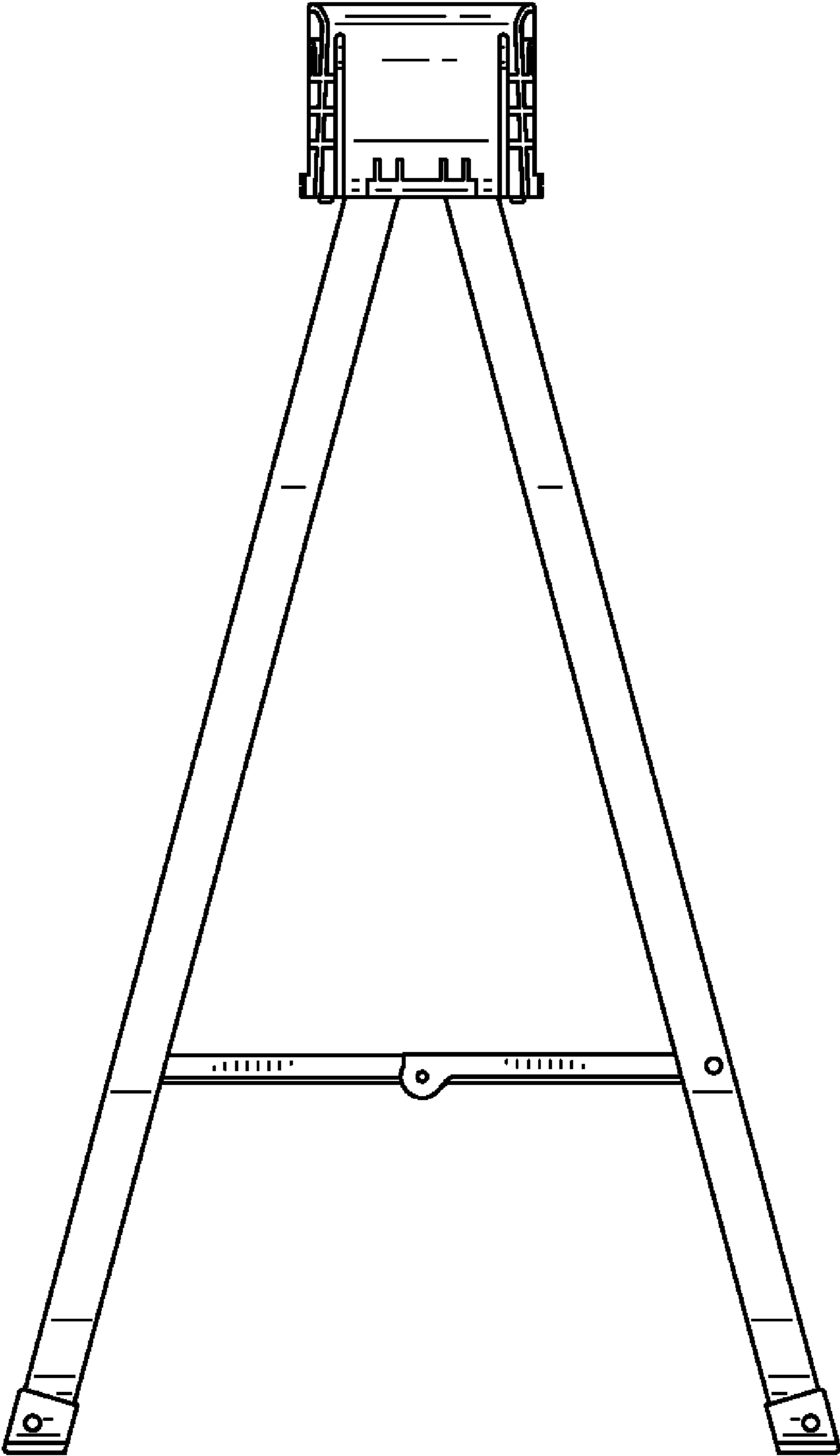


FIG. 4

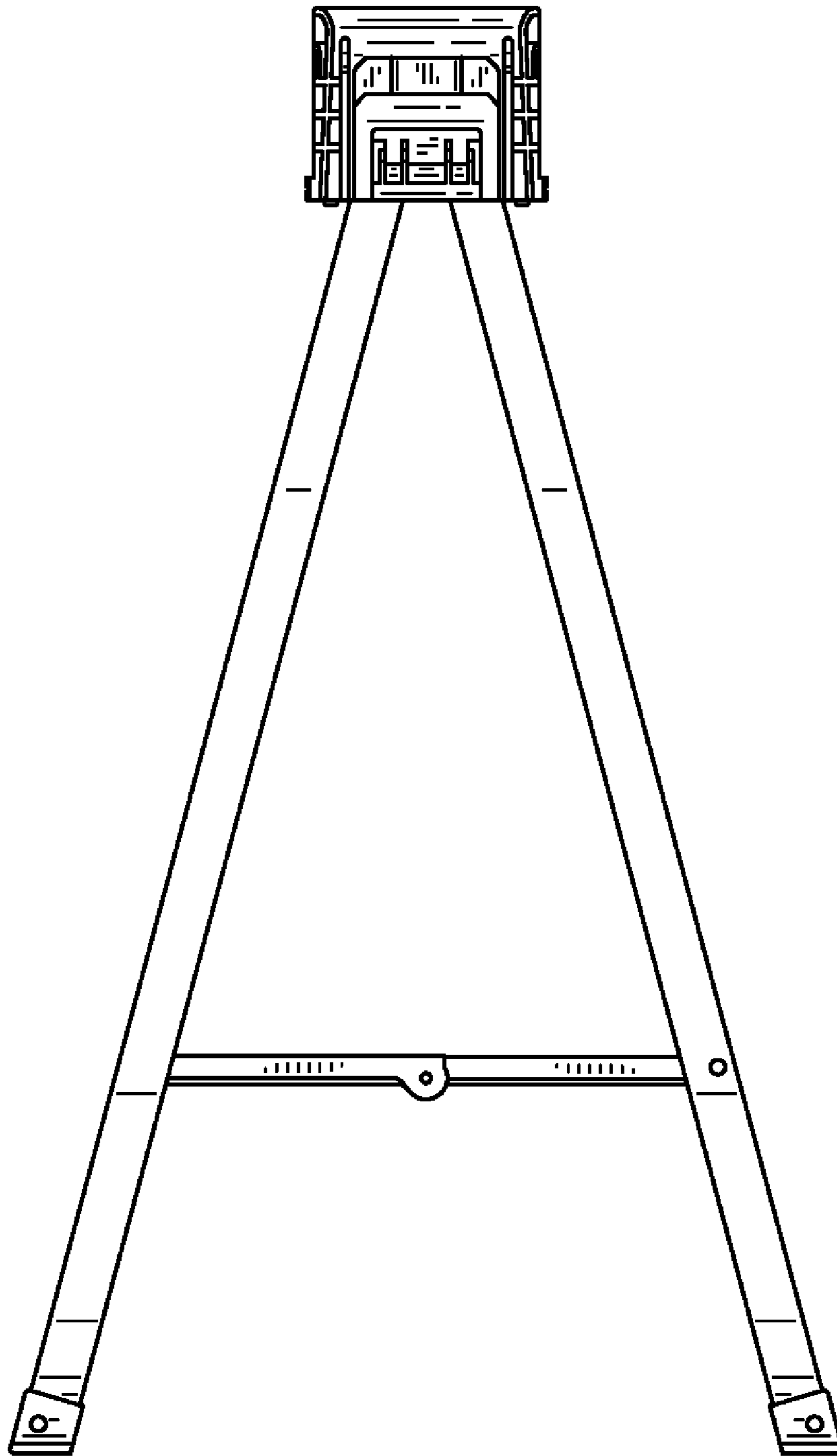


FIG. 5

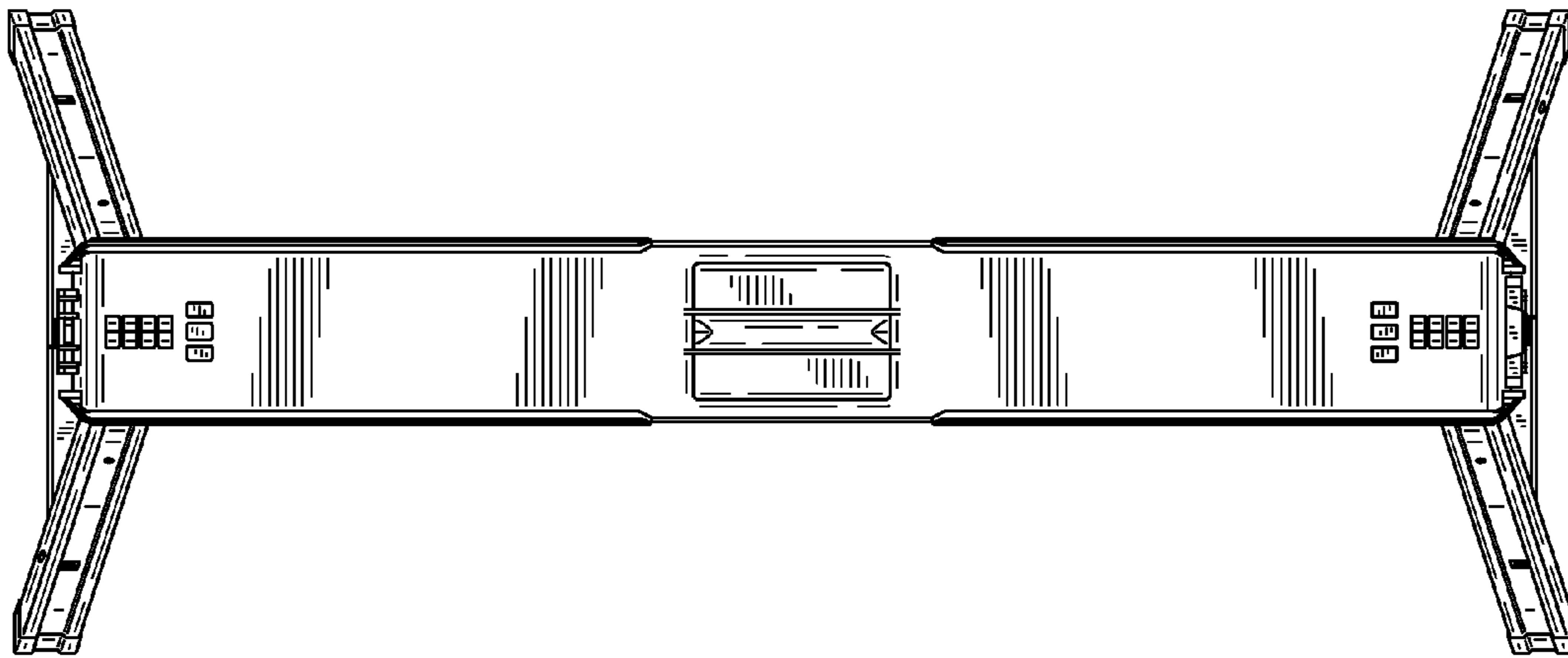


FIG. 6

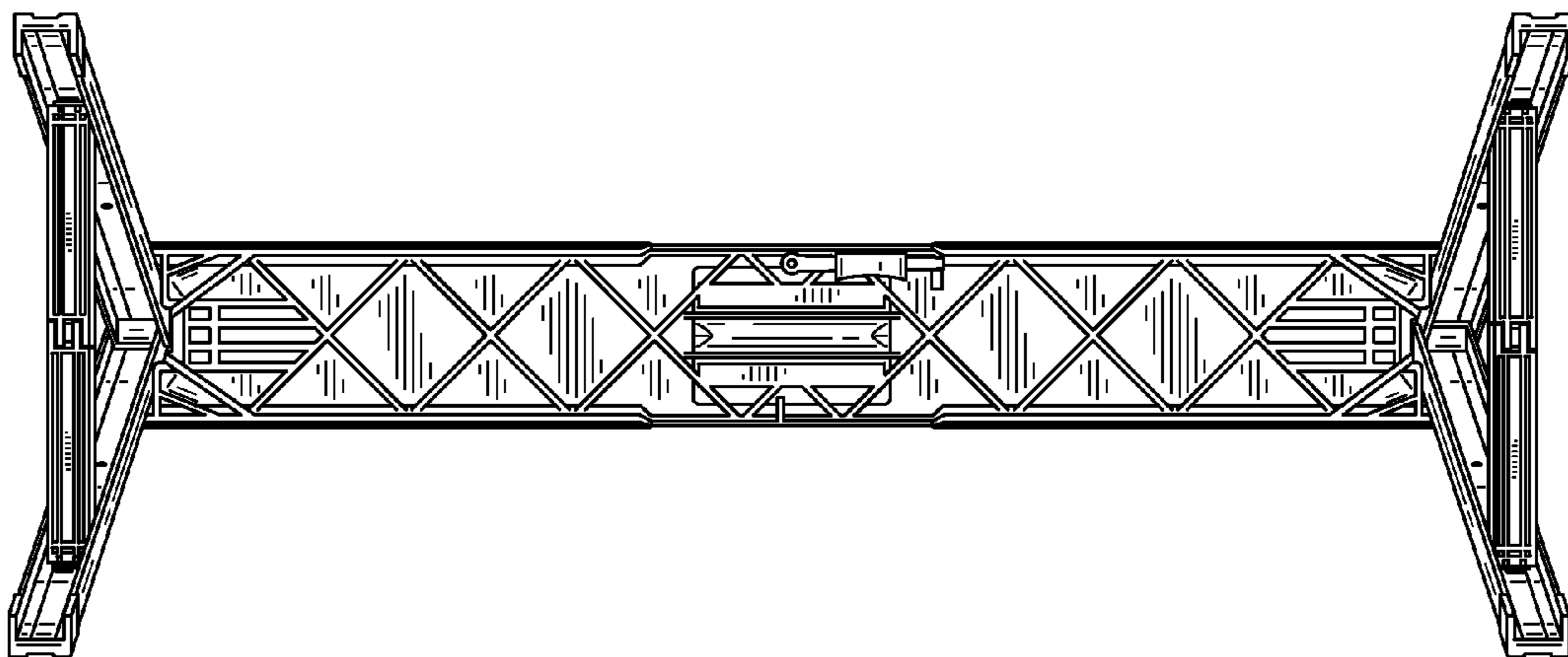


FIG. 7