



US00D634855S

(12) **United States Design Patent**  
**Lynch et al.**

(10) **Patent No.:** **US D634,855 S**  
(45) **Date of Patent:** **\*\* Mar. 22, 2011**

(54) **DOOR FACING**

(75) Inventors: **Steven K. Lynch**, St. Charles, IL (US);  
**Gregory J. Wysock**, Sycamore, IL (US);  
**Hallie L. Heuser**, Geneva, IL (US)

(73) Assignee: **Masonite Corporation**, Tampa, FL (US)

(\*\*) Term: **14 Years**

(21) Appl. No.: **29/360,737**

(22) Filed: **Apr. 30, 2010**

**Related U.S. Application Data**

(60) Division of application No. 29/339,682, filed on Jul. 6, 2009, now Pat. No. Des. 615,214, which is a continuation of application No. 29/318,084, filed on May 13, 2008, now abandoned.

(51) **LOC (9) Cl.** ..... **25-02**

(52) **U.S. Cl.** ..... **D25/48**

(58) **Field of Classification Search** ..... D25/48;  
52/455, 456, 311.1; 49/DIG. 2, 504  
See application file for complete search history.

(56) **References Cited**

**U.S. PATENT DOCUMENTS**

4,006,571 A \* 2/1977 Bursk ..... 52/802.11  
D460,564 S \* 7/2002 Ben-Ezra ..... D25/48  
D495,062 S \* 8/2004 Lynch et al. .... D25/48  
2005/0102908 A1\* 5/2005 Martin ..... 49/455

\* cited by examiner

*Primary Examiner* — Doris Clark

(74) *Attorney, Agent, or Firm* — Berenato & White, LLC

(57) **CLAIM**

The ornamental design for a door facing, as shown and described.

**DESCRIPTION**

FIG. 1 is a front perspective view of a first embodiment of our design;  
FIG. 2 is a front elevational view thereof;  
FIG. 3 is a rear elevational view;  
FIG. 4 is a top plan view;  
FIG. 5 is a bottom plan view;  
FIG. 6 is a cross-sectional view taken along the line 6—6 of FIG. 2 and viewed in the direction of the arrows;  
FIG. 7 is an enlarged fragmented left side cross-sectional view of FIG. 6;  
FIG. 8 is a left side elevational view;  
FIG. 9 is a right side elevational view; and  
FIG. 10 is a cross-sectional view taken along the line 10—10 of FIG. 2 and viewed in the direction of the arrows;  
FIG. 11 is a front perspective view of a second embodiment of our design;  
FIG. 12 is a front elevational view thereof;  
FIG. 13 is a rear elevational view;  
FIG. 14 is a top plan view;  
FIG. 15 is a bottom plan view;  
FIG. 16 is a cross-sectional view taken along the line 16—16 of FIG. 12 and viewed in the direction of the arrows;  
FIG. 17 is an enlarged fragmented left side cross-sectional view of FIG. 16;  
FIG. 18 is a left side elevational view;  
FIG. 19 is a right side elevational view; and,  
FIG. 20 is a cross-sectional view taken along the line 20—20 of FIG. 12 and viewed in the direction of the arrows.  
The broken lines showing of a door facing is for the purposes of illustrating environmental structure and forms no part of the claimed design.

**1 Claim, 10 Drawing Sheets**

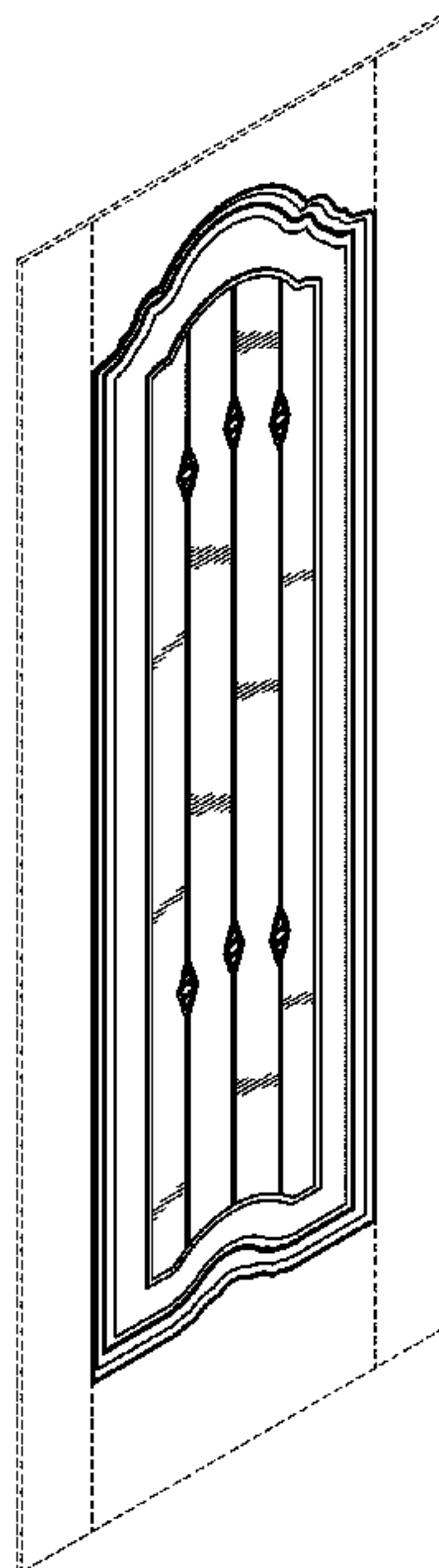
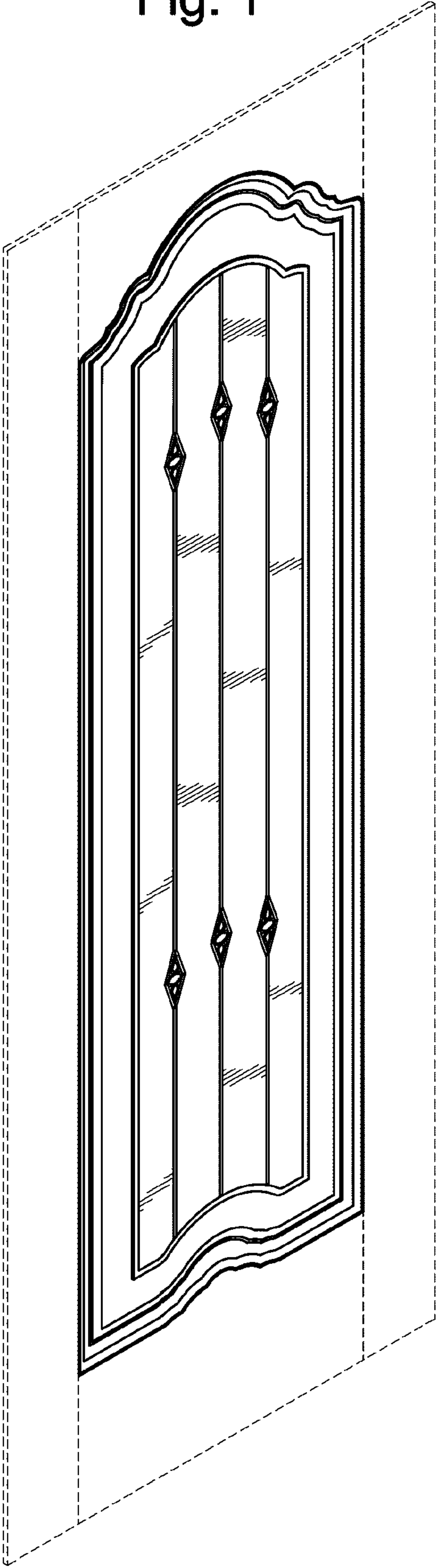


Fig. 1



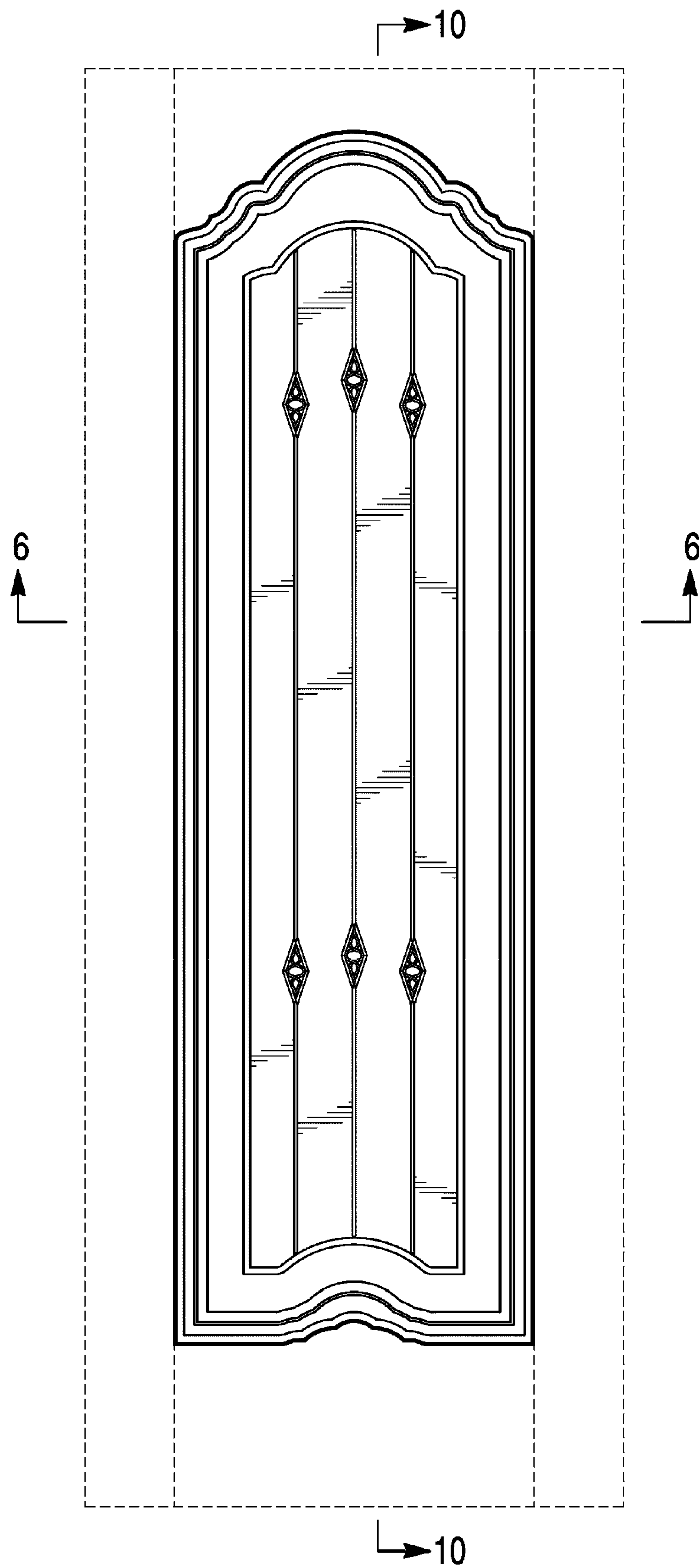


Fig. 2

Fig. 3

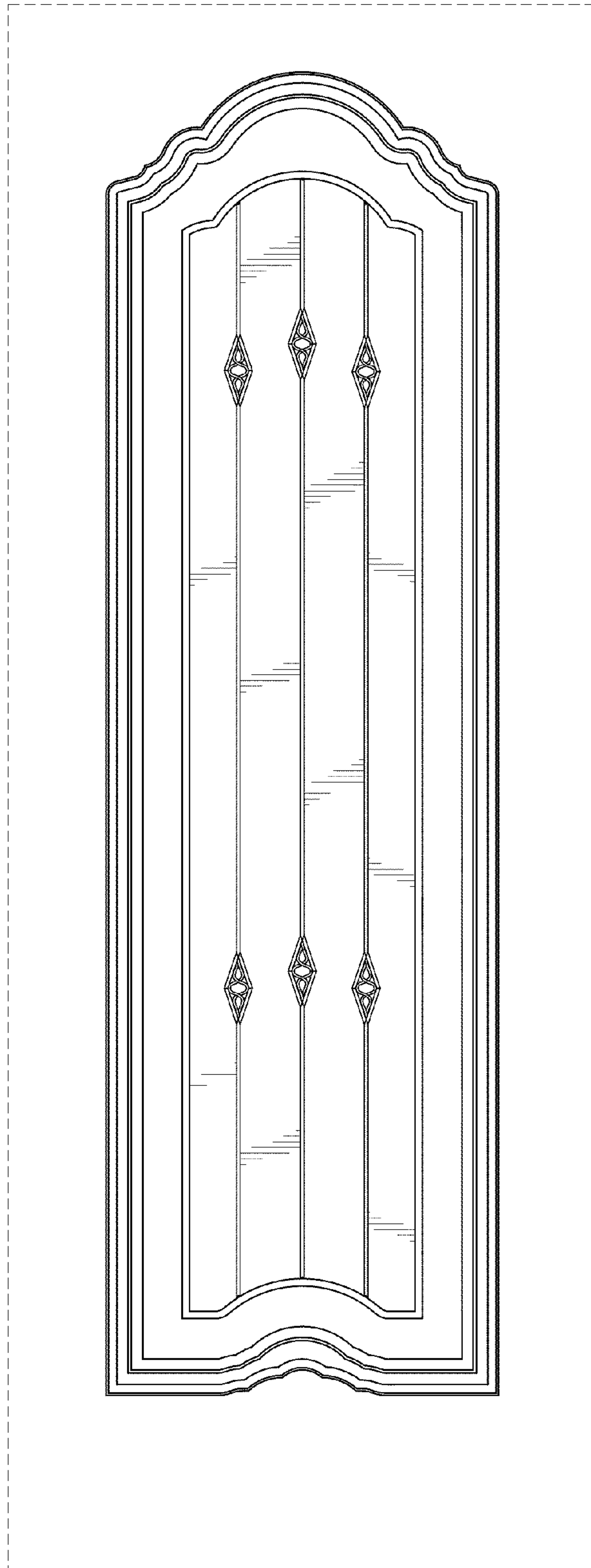


Fig. 4



Fig. 5



Fig. 6

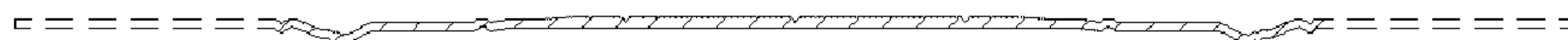


Fig. 7

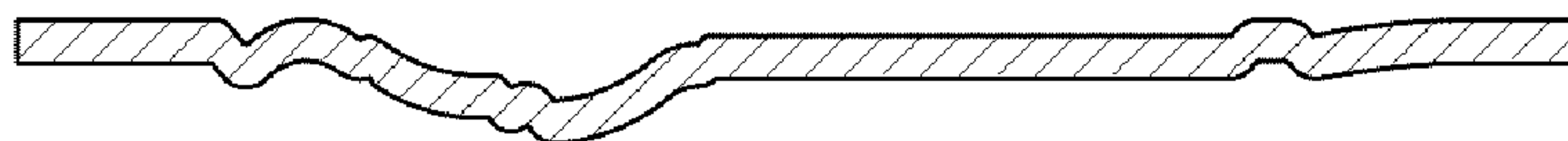


Fig. 8



Fig. 9

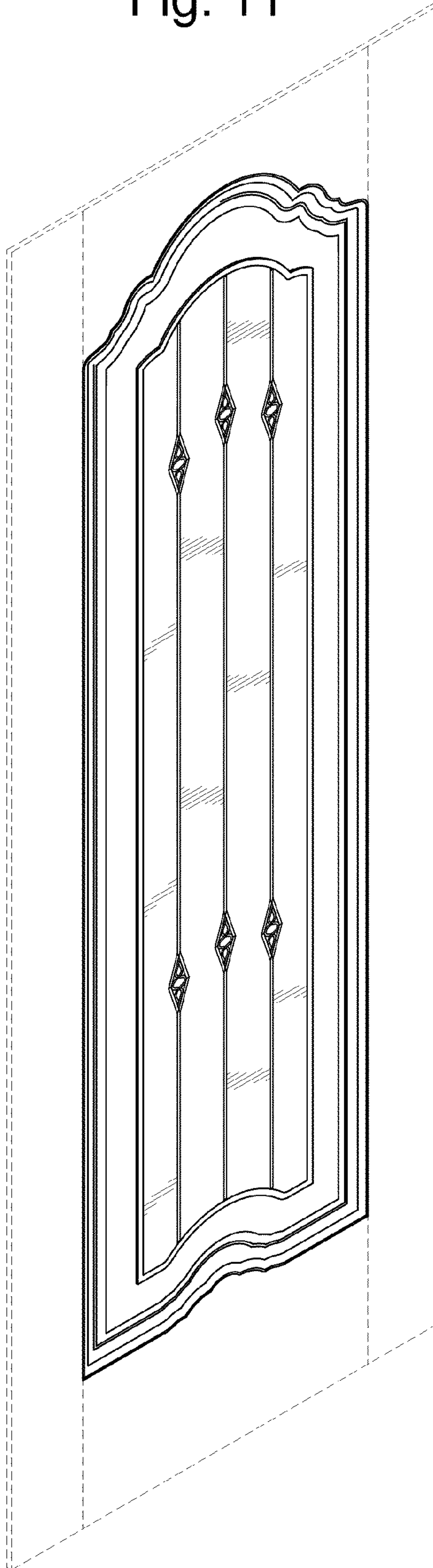


Fig. 10





Fig. 11



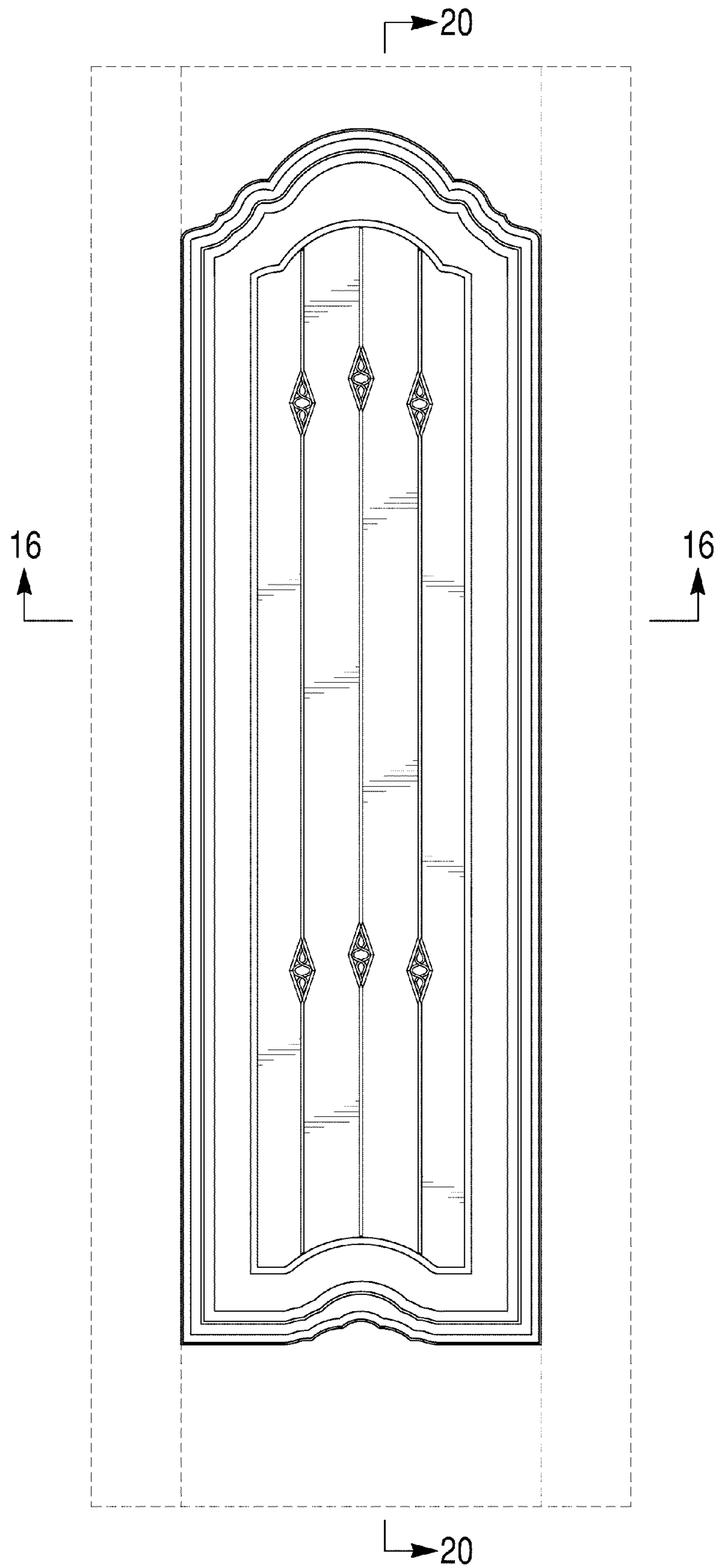


Fig. 12



Fig. 13

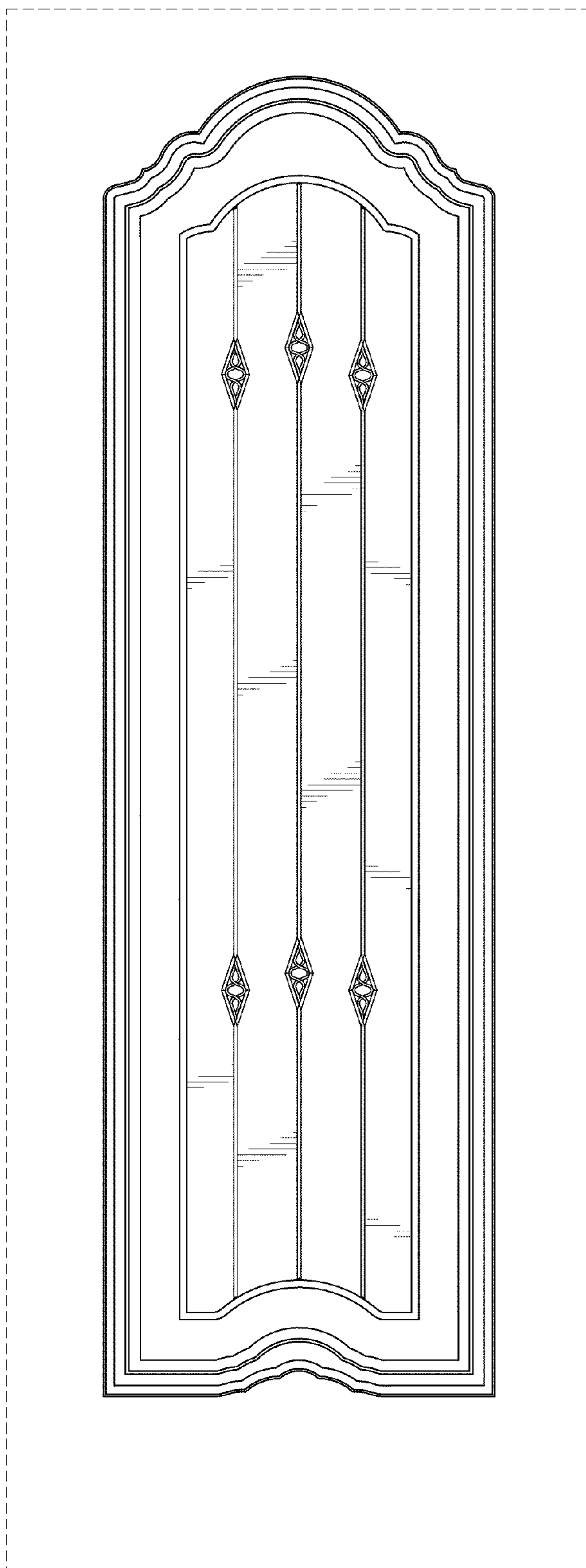


Fig. 14

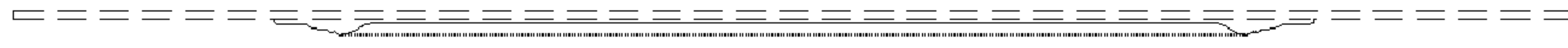


Fig. 15

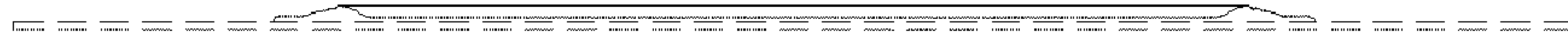


Fig. 16

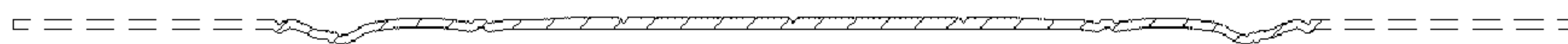


Fig. 17

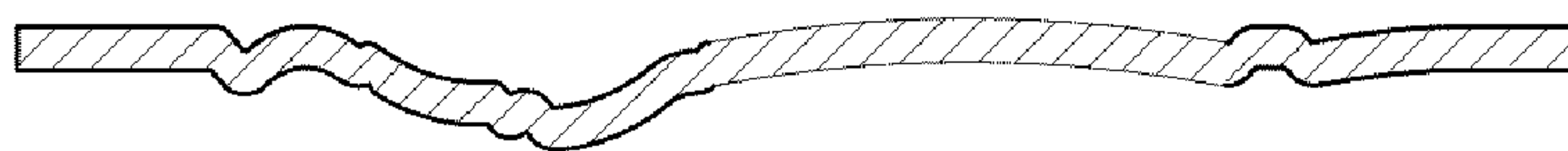


Fig. 18



Fig. 19



Fig. 20

