



US00D634848S

(12) **United States Design Patent**  
**Brimhall et al.**

(10) **Patent No.:** **US D634,848 S**

(45) **Date of Patent:** **\*\* Mar. 22, 2011**

(54) **HEARING AID**

(75) Inventors: **Owen D. Brimhall**, South Jordan, UT (US); **Craig M. Collotzi**, Riverton, UT (US)

(73) Assignee: **Sonic Innovations, Inc.**, Salt Lake City, UT (US)

(\*\*) Term: **14 Years**

(21) Appl. No.: **29/353,482**

(22) Filed: **Jan. 8, 2010**

(51) **LOC (9) Cl.** ..... **24-99**

(52) **U.S. Cl.** ..... **D24/174**

(58) **Field of Classification Search** ..... D24/173-175, D24/106; D14/205, 223, 224, 249; 381/23.1, 381/312, 322-324, 328-330, 334  
See application file for complete search history.

(56) **References Cited**

**U.S. PATENT DOCUMENTS**

- D411,885 S \* 7/1999 Mavrakis et al. .... D24/174
- D440,314 S \* 4/2001 Barnard ..... D24/174
- 7,027,608 B2 \* 4/2006 Fretz et al. .... 381/330
- D541,420 S \* 4/2007 Darbut et al. .... D24/174

- D595,856 S \* 7/2009 Tronza ..... D24/174
- D612,943 S \* 3/2010 Bailey et al. .... D24/174
- 2007/0092094 A1 \* 4/2007 Gilbertson ..... 381/328

\* cited by examiner

*Primary Examiner* — T. Chase Nelson

*Assistant Examiner* — Anhdao Doan

(74) *Attorney, Agent, or Firm* — Holland & Hart

(57) **CLAIM**

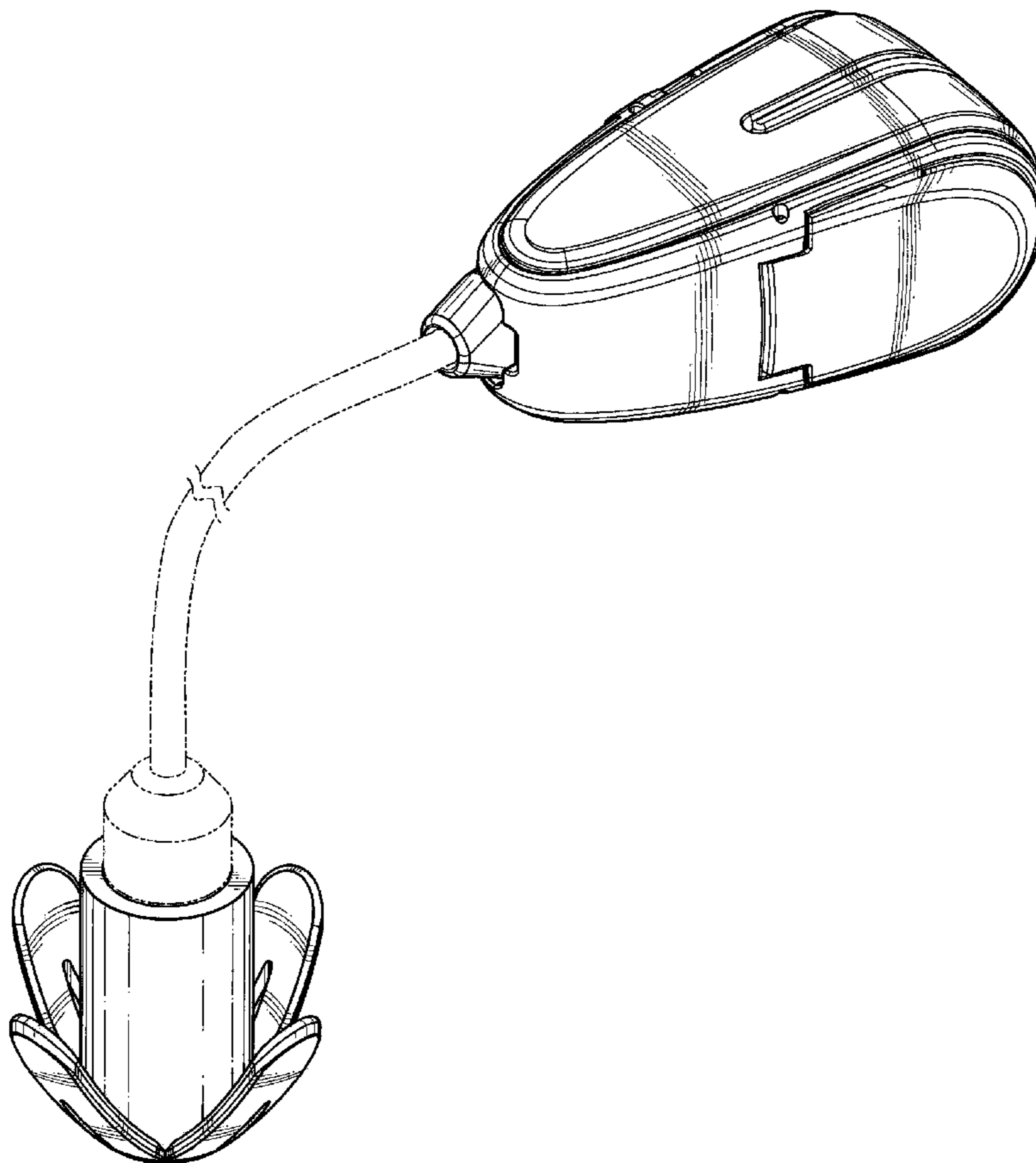
The ornamental design for a hearing aid, as shown and described.

**DESCRIPTION**

FIG. 1 is a top perspective view of a hearing aid, including a behind-the-ear piece, a receiver assembly, and a dome, according to the present invention;  
 FIG. 2 is a side perspective view thereof;  
 FIG. 3 is a top view thereof;  
 FIG. 4 is a left side view thereof;  
 FIG. 5 is a right side elevation view thereof;  
 FIG. 6 is a bottom view thereof;  
 FIG. 7 is a rear view thereof; and,  
 FIG. 8 is a front view thereof.

The broken lines in the drawing views are included for the purpose of illustrating portions of the hearing aid that form no part of the claimed design.

**1 Claim, 8 Drawing Sheets**



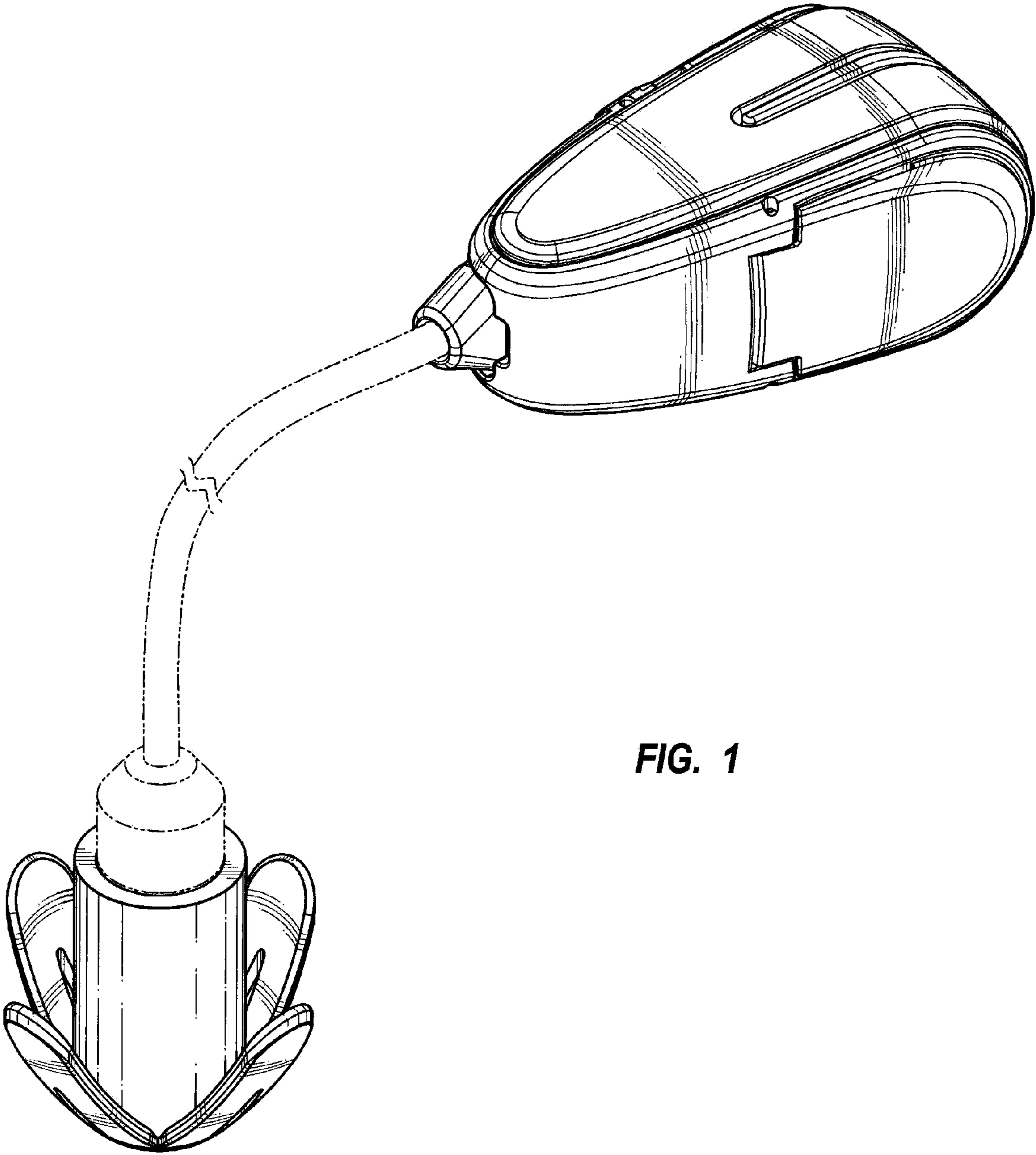


FIG. 1

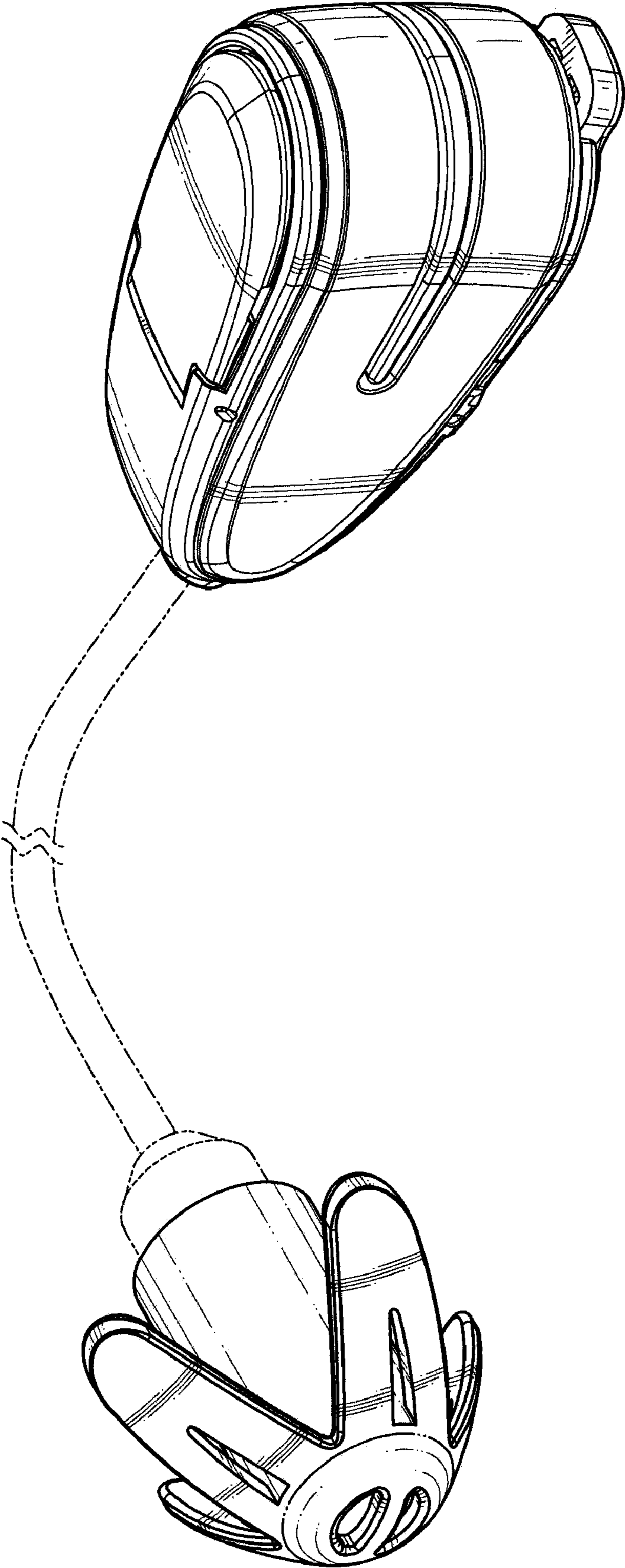


FIG. 2

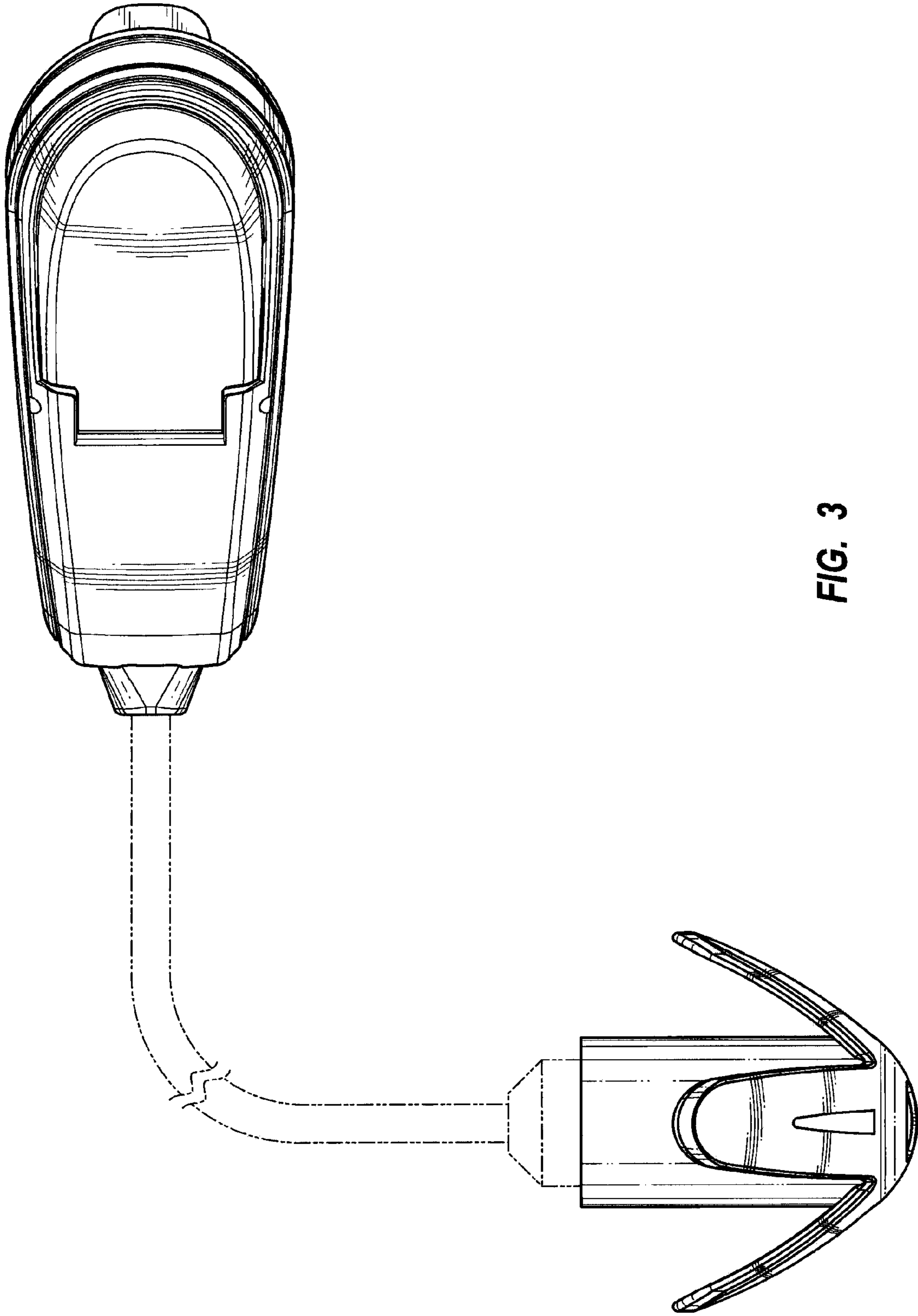


FIG. 3

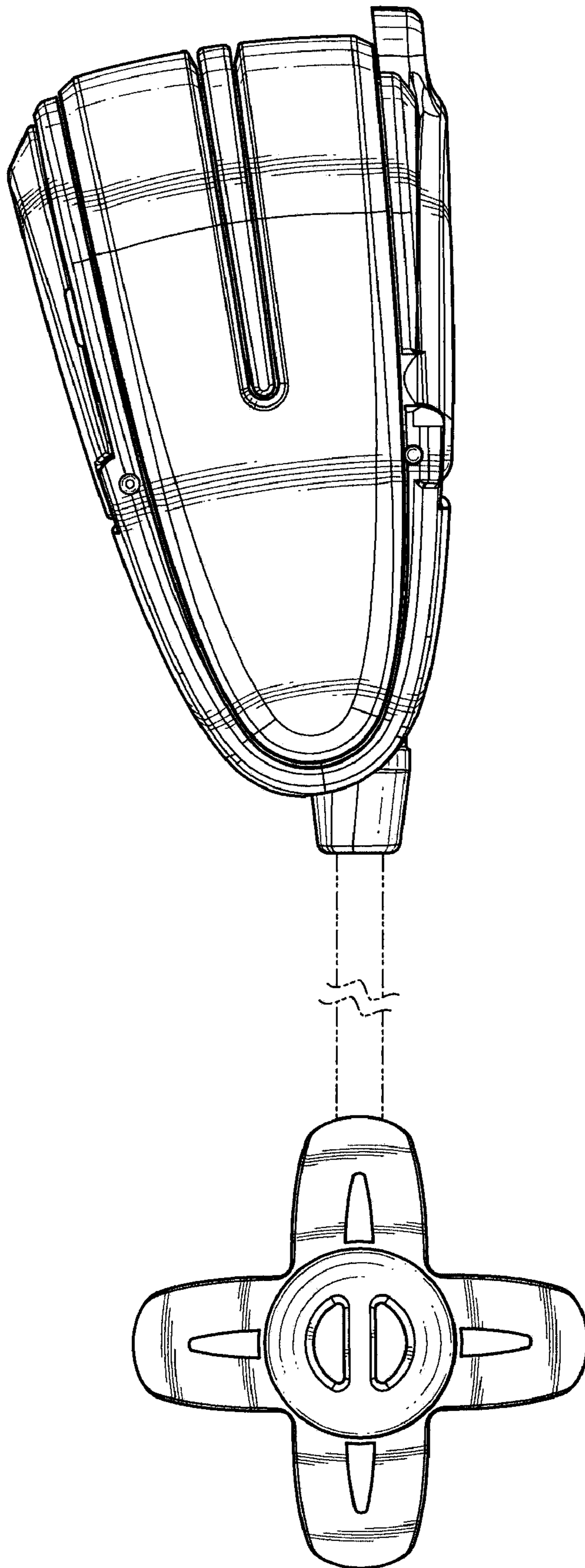


FIG. 4

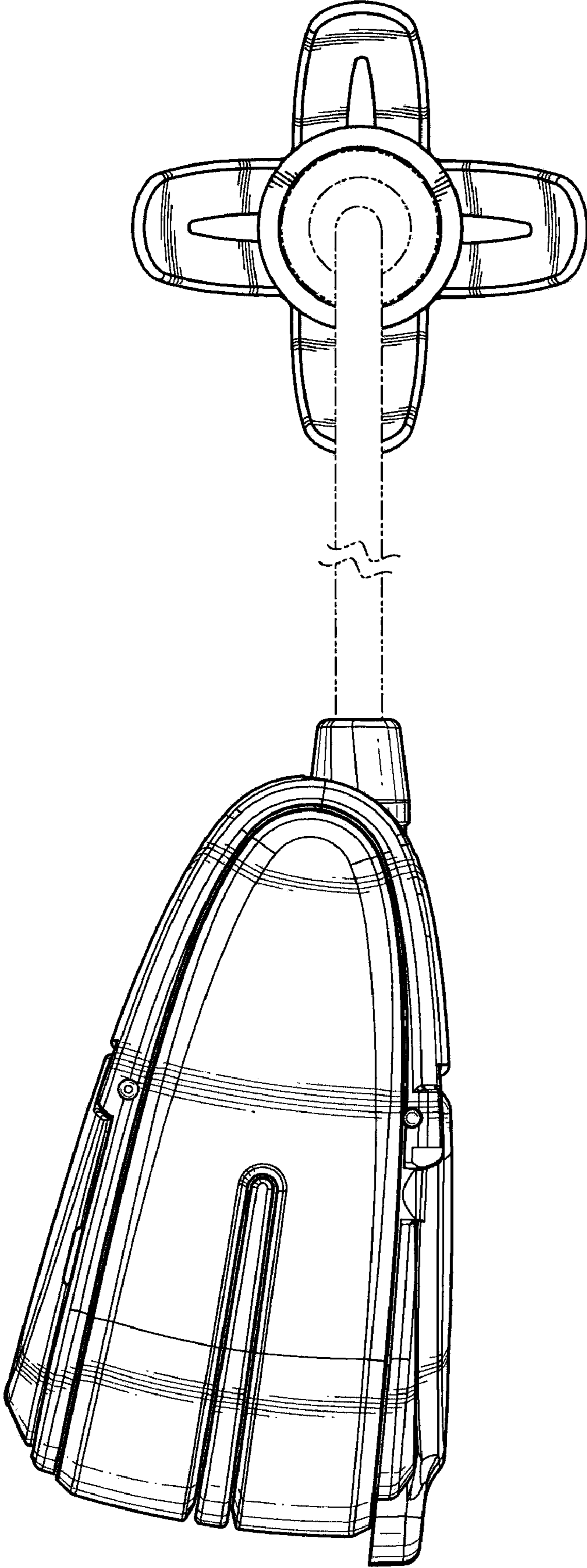


FIG. 5

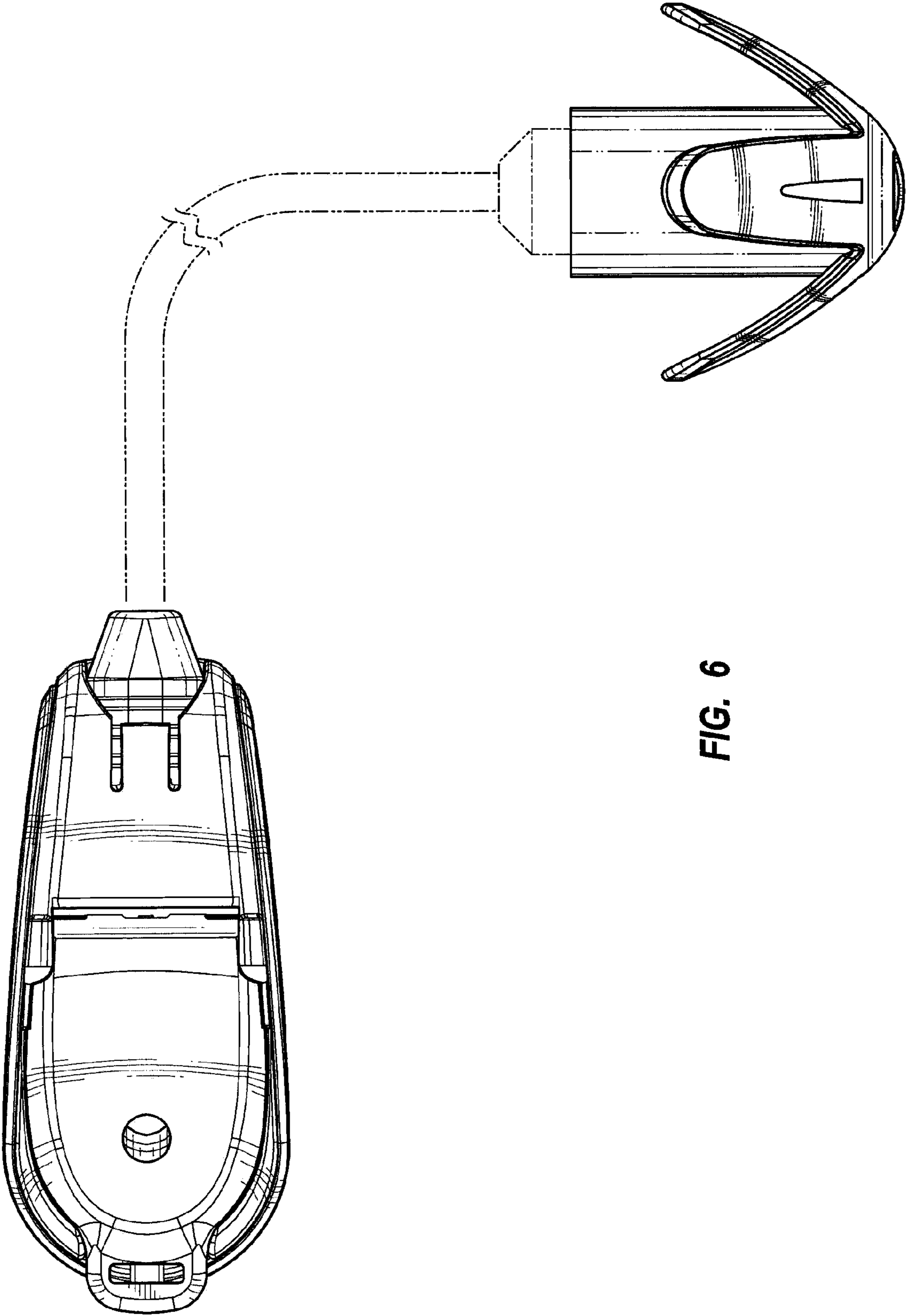
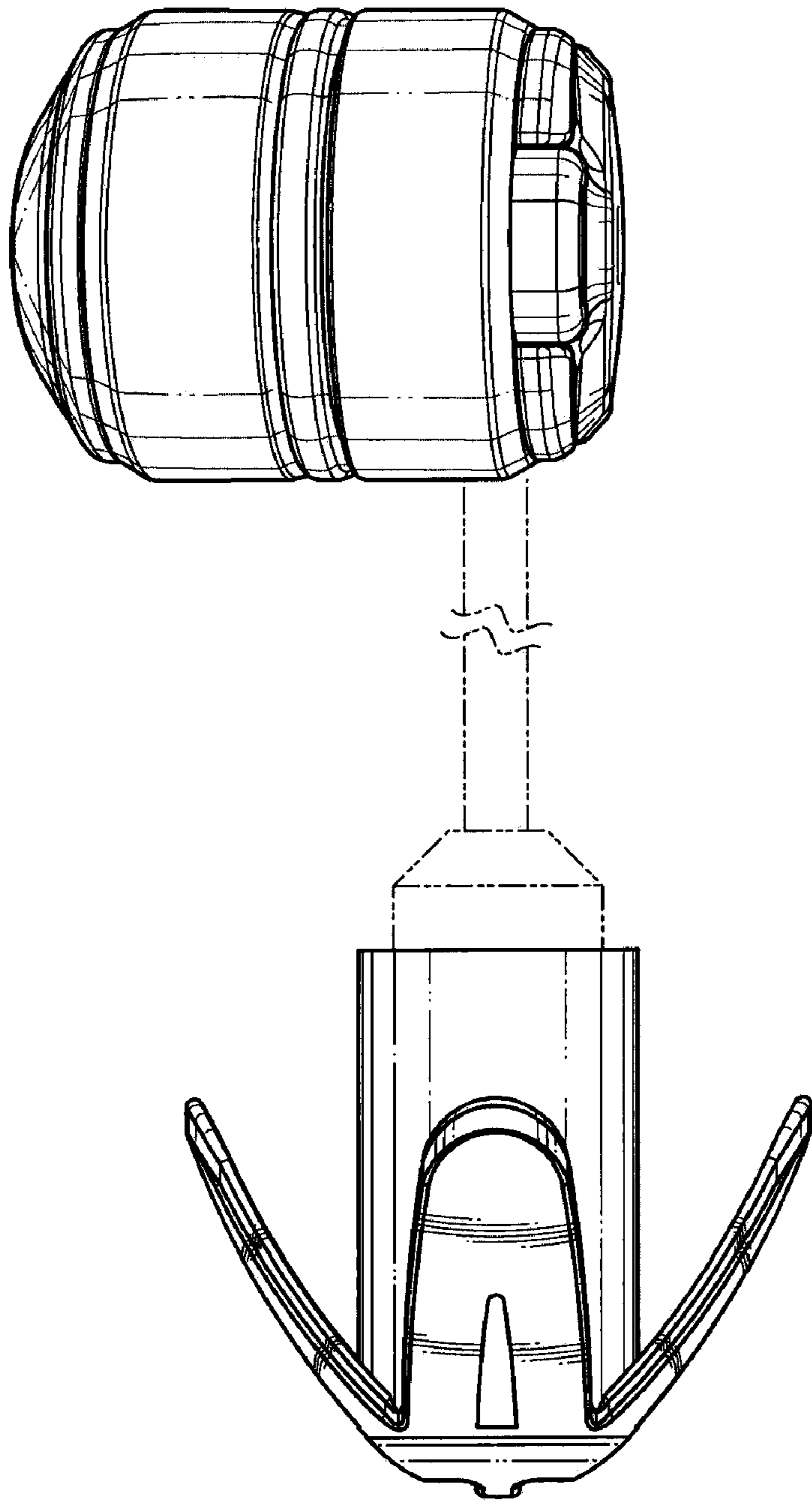
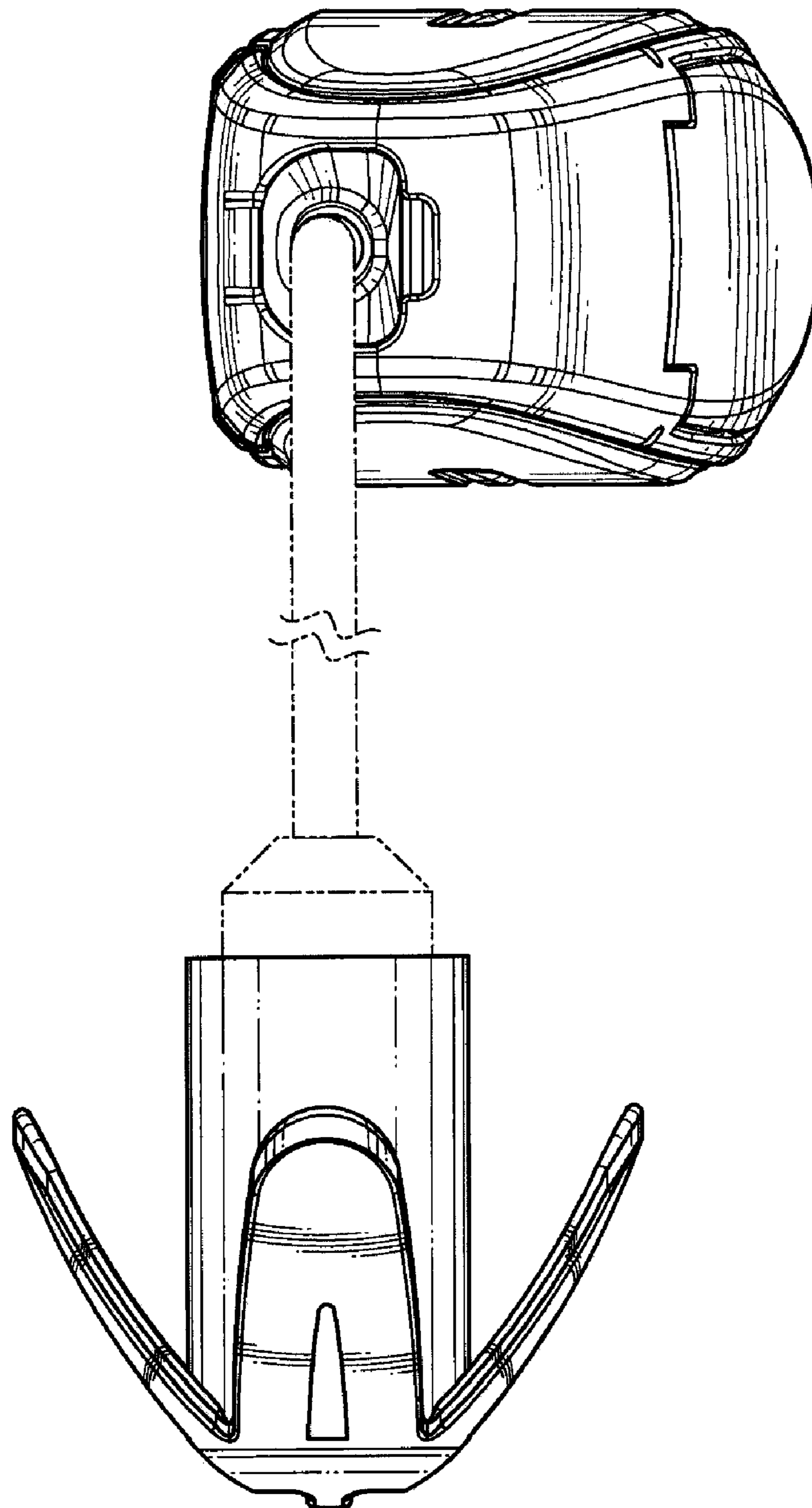


FIG. 6



**FIG. 7**





**FIG. 8**