

US00D634843S

(12) **United States Design Patent**
Kim et al.

(10) **Patent No.:** **US D634,843 S**
(45) **Date of Patent:** **** Mar. 22, 2011**

(54) **HANDHELD SURGICAL DEPTH INSTRUMENT WITH RECTANGULAR BODY**

(75) Inventors: **John Y. S. Kim**, Chicago, IL (US);
Michael Harshbarger, Lake Villa, IL (US); **Mu-Jen Wang**, Tucheng (TW);
Wen-Ta Chang, Shalu Township (TW)

(73) Assignee: **Eidosmed LLC**, Chicago, IL (US)

(**) Term: **14 Years**

(21) Appl. No.: **29/344,733**

(22) Filed: **Oct. 2, 2009**

Related U.S. Application Data

(63) Continuation of application No. 29/332,732, filed on Feb. 24, 2009.

(51) **LOC (9) Cl.** **24-02**

(52) **U.S. Cl.** **D24/140; D24/133**

(58) **Field of Classification Search** D24/133, D24/134, 135, 136, 137, 138, 139, 140, 141, D24/142, 143, 146, 150, 152, 171, 144, 145, D24/147, 148, 149, 151, 153, 154, 127, 128, D24/129, 130, 106-108, 112, 111, 200; D23/40, D23/47, 57, 60, 67, 68, 69, 80, 82, 83, 84, D23/93, 94, 97, 107; D8/72, 73, 74; 600/184, 600/201-203, 210-218, 220-223, 224, 225-227; 606/7, 86 A, 86 B, 119

See application file for complete search history.

(56) **References Cited**

U.S. PATENT DOCUMENTS

D222,959 S *	2/1972	Riley	D8/107
D261,678 S *	11/1981	Mann	D24/144
D270,372 S *	8/1983	Russo et al.	D24/144
D301,739 S *	6/1989	Turner et al.	D24/144
D320,271 S *	9/1991	Jones	D24/144
D358,208 S *	5/1995	Niven	D24/133
D358,644 S *	5/1995	Park	D24/146
5,807,383 A *	9/1998	Kolesa et al.	606/7
D402,030 S *	12/1998	Roberts et al.	D24/144

D402,031 S *	12/1998	Roberts et al.	D24/144
D418,601 S *	1/2000	McGugan	D24/145
D439,337 S *	3/2001	Jones	D24/144
6,206,826 B1 *	3/2001	Mathews et al.	600/210
D457,955 S *	5/2002	Bilitz	D24/133
D476,207 S *	6/2003	Saunders et al.	D8/47
D490,152 S *	5/2004	Myall et al.	D24/133
D521,641 S *	5/2006	Reschke et al.	D24/144
D535,396 S *	1/2007	Reschke et al.	D24/144
D535,749 S *	1/2007	Yaniv et al.	D24/147
D538,935 S *	3/2007	Eddy et al.	D24/147
D547,867 S *	7/2007	Malis et al.	D24/144
7,238,180 B2 *	7/2007	Mester et al.	606/15
7,493,703 B2 *	2/2009	Kim et al.	33/512
D588,696 S *	3/2009	Mantle et al.	D24/144
D589,146 S *	3/2009	Yasuda	D24/136
D592,746 S *	5/2009	Highley et al.	D24/133

* cited by examiner

Primary Examiner — Bridget L Eland

(74) *Attorney, Agent, or Firm* — Drinker Biddle & Reath LLP

(57) **CLAIM**

The ornamental design for a handheld surgical depth instrument with rectangular body, as shown and described.

DESCRIPTION

FIG. 1 is an orthogonal view of a handheld surgical depth instrument with rectangular body;

FIG. 2 is a top view thereof;

FIG. 3 is a right side view thereof, the left side being a mirror image;

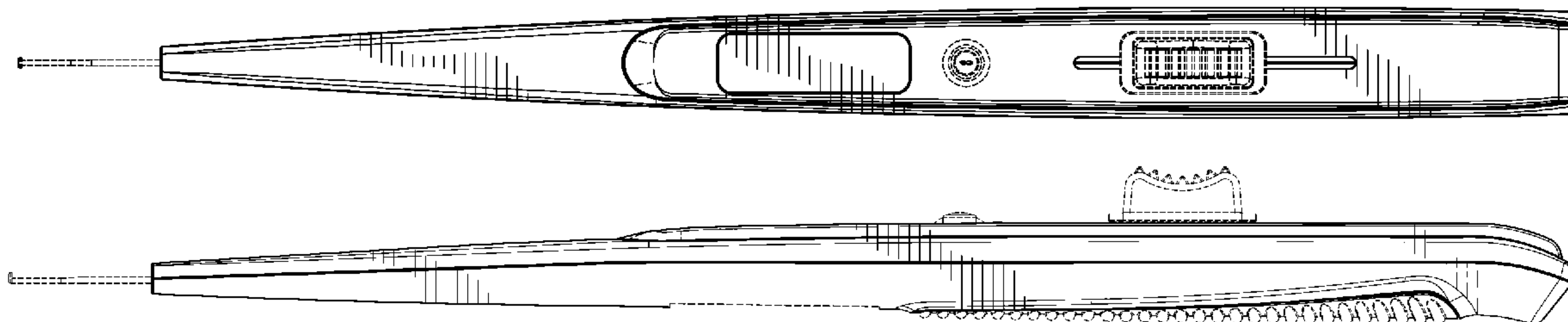
FIG. 4 is a bottom view thereof;

FIG. 5 is a rear view thereof; and,

FIG. 6 is a frontal view thereof.

The outer most broken lines immediately adjacent to the shaded areas represent the bounds of the claimed design while all other broken lines are directed to environment, and are for illustrative purposes only; the broken lines form no part of the claimed design. The wire frame lines in FIGS. 2-6 are intended to indicate surface contour and are not intended to be surface ornamentation.

1 Claim, 5 Drawing Sheets



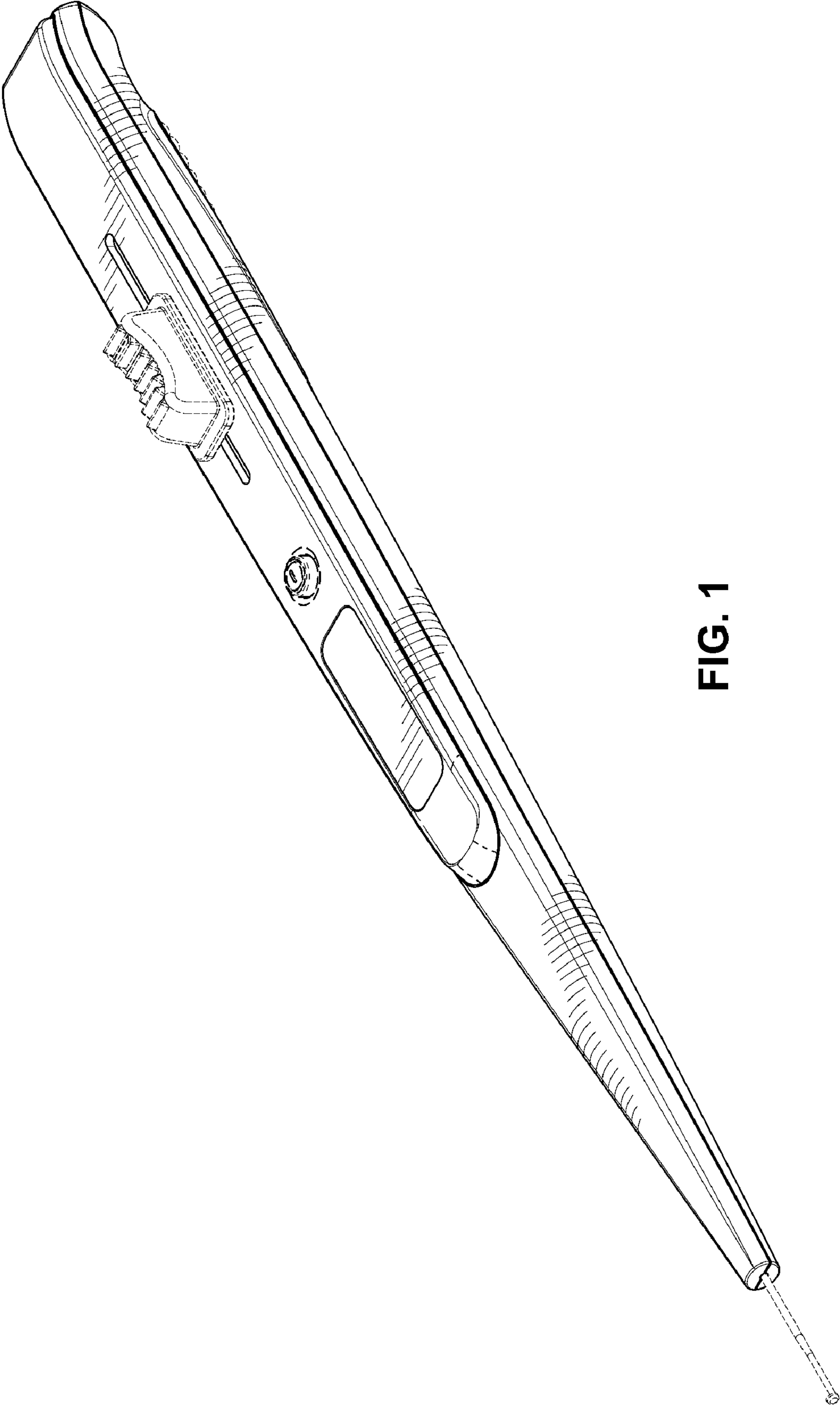


FIG. 1

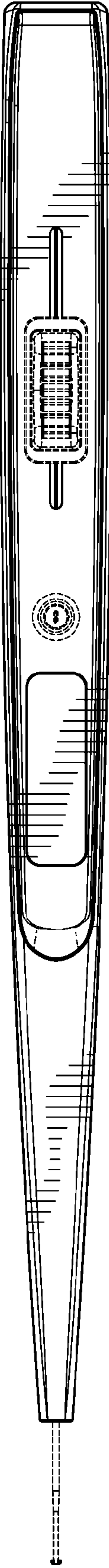


FIG. 2

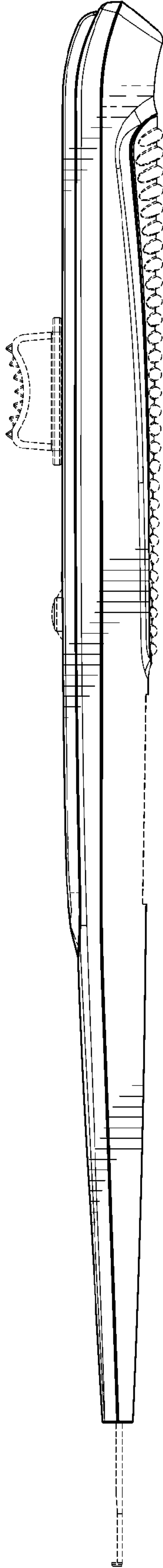


FIG. 3

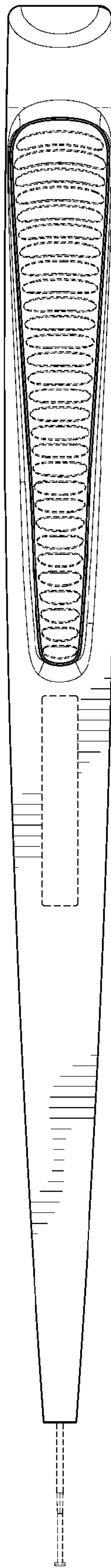


FIG. 4

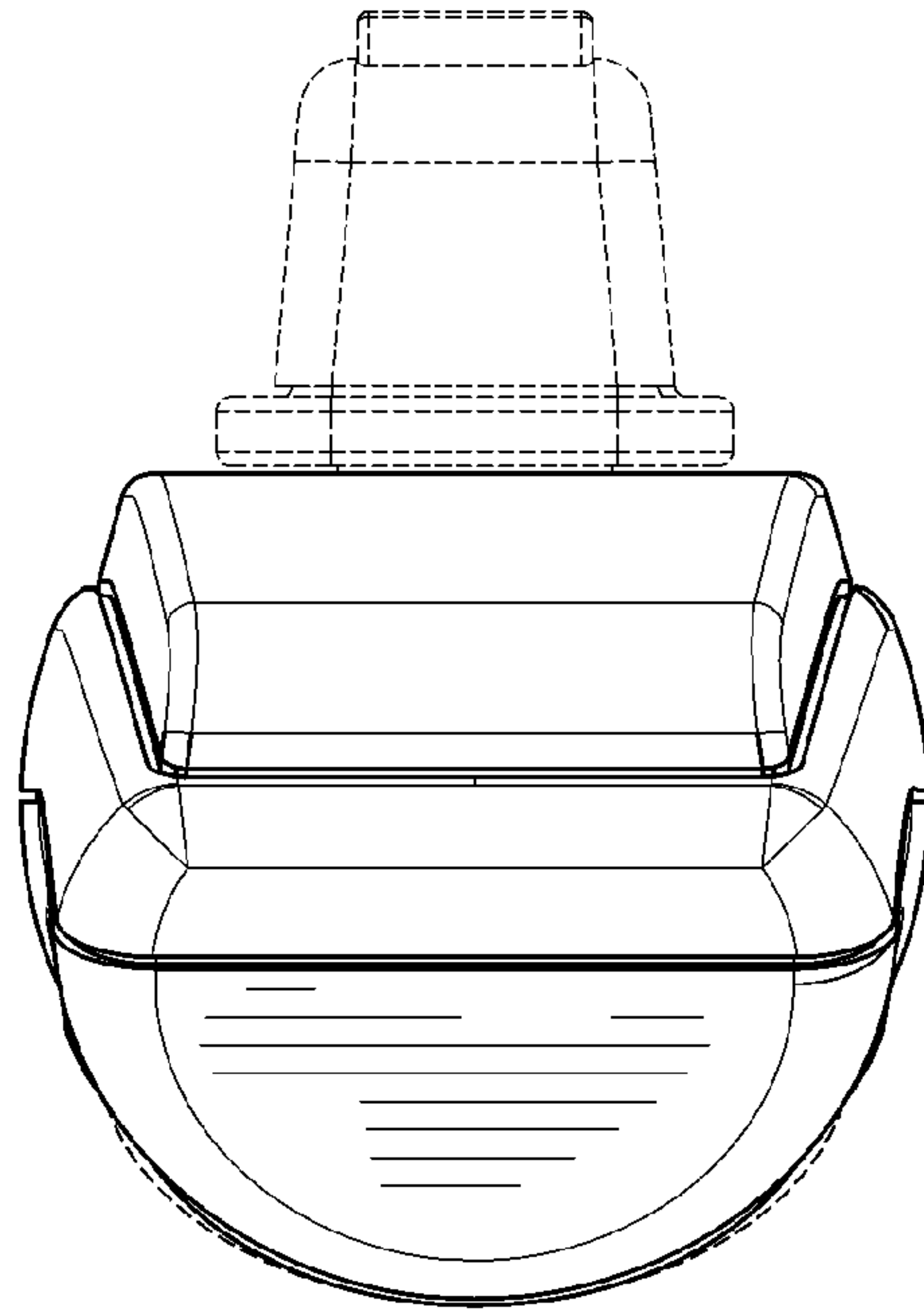


FIG. 5

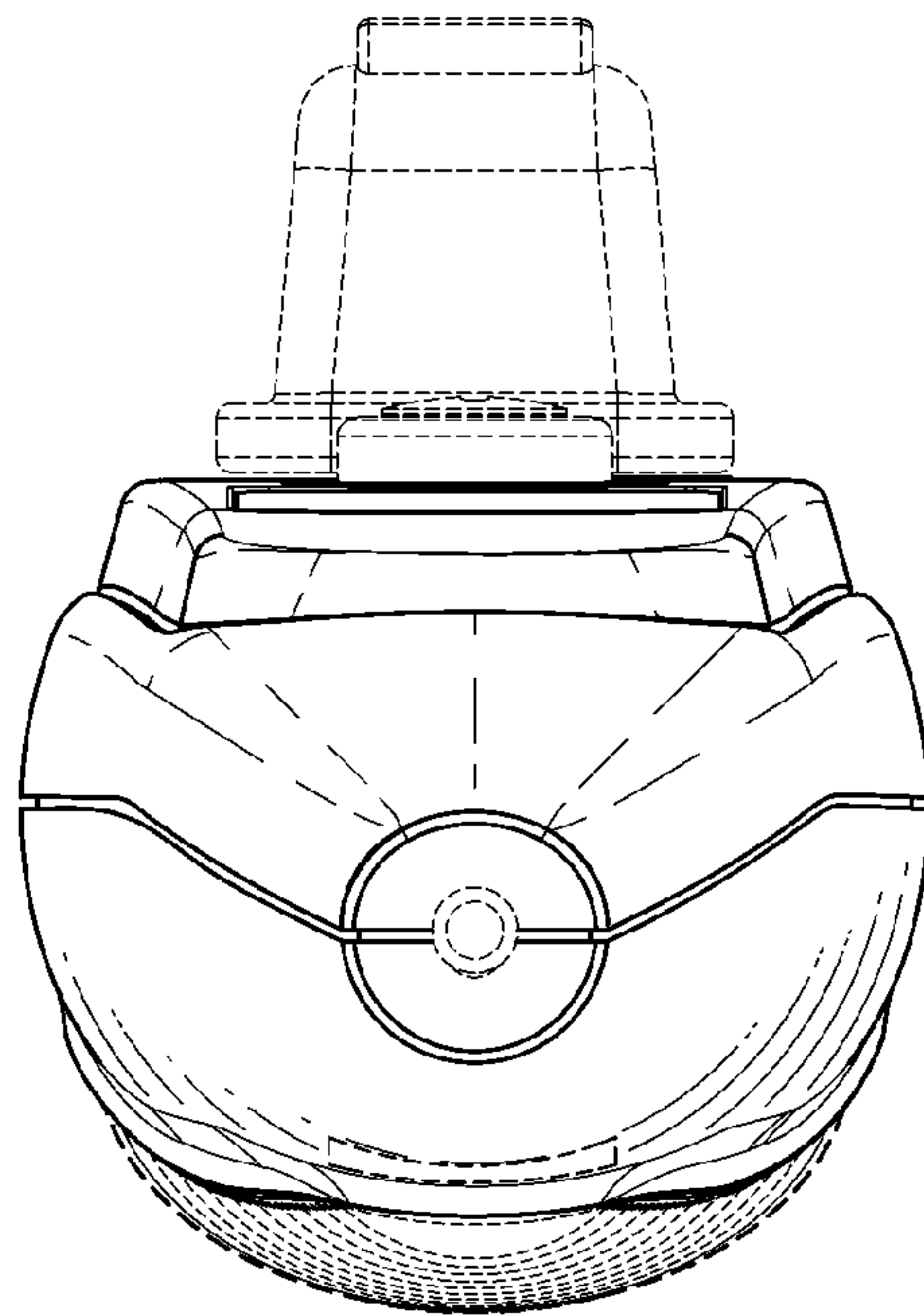


FIG. 6