



US00D634842S

(12) **United States Design Patent**
Fuerst

(10) **Patent No.:** **US D634,842 S**

(45) **Date of Patent:** **** Mar. 22, 2011**

(54) **MICROENDOSCOPE**

(75) Inventor: **Frank Fuerst**, Tuttlingen (DE)

(73) Assignee: **Karl Storz GmbH & Co. KG** (DE)

(**) Term: **14 Years**

(21) Appl. No.: **29/303,356**

(22) Filed: **Feb. 7, 2008**

(30) **Foreign Application Priority Data**

Aug. 9, 2007 (EM) 000771787

(51) **LOC (9) Cl.** **24-02**

(52) **U.S. Cl.** **D24/138**

(58) **Field of Classification Search** D24/143,
D24/144, 145, 146, 147, 148, 133; 606/205,
606/206, 208, 167, 170, 45, 210, 213, 215;
D16/242, 245, 396, 419; 248/176.1, 187.1,
248/176.3; 600/201, 202, 210, 227, 212,
600/215, 206, 245, 226, 235

See application file for complete search history.

(56) **References Cited**

U.S. PATENT DOCUMENTS

3,805,770 A * 4/1974 Okada 600/114
D248,766 S * 8/1978 Arai D16/134
D271,618 S * 11/1983 Nishigaki D24/138
D271,698 S * 12/1983 Shishido D16/237
D303,290 S * 9/1989 McMenamy et al. D24/147
D353,674 S * 12/1994 Jorneus D24/156

D582,552 S * 12/2008 Berberich D24/146
2005/0065538 A1 * 3/2005 Van Wyk 606/159
2006/0212060 A1 * 9/2006 Hacker et al. 606/180

* cited by examiner

Primary Examiner — Ian Simmons

Assistant Examiner — Charles D Hanson

(74) *Attorney, Agent, or Firm* — St. Onge Steward Johnston
& Reens LLC

(57) **CLAIM**

The ornamental design for microendoscope, as shown and described.

DESCRIPTION

FIG. 1 is a side view of a microendoscope showing my new design;

FIG. 2 is a front view thereof;

FIG. 3 is a rear view thereof;

FIG. 4 is an enlarged perspective view of the area labeled "4" in FIG. 1;

FIG. 5 is a side view of the microendoscope of FIG. 1, wherein the coupling is detached from the endoscope optics;

FIG. 6 is an enlarged side view of the coupling detached from the endoscope optics for ease of illustration;

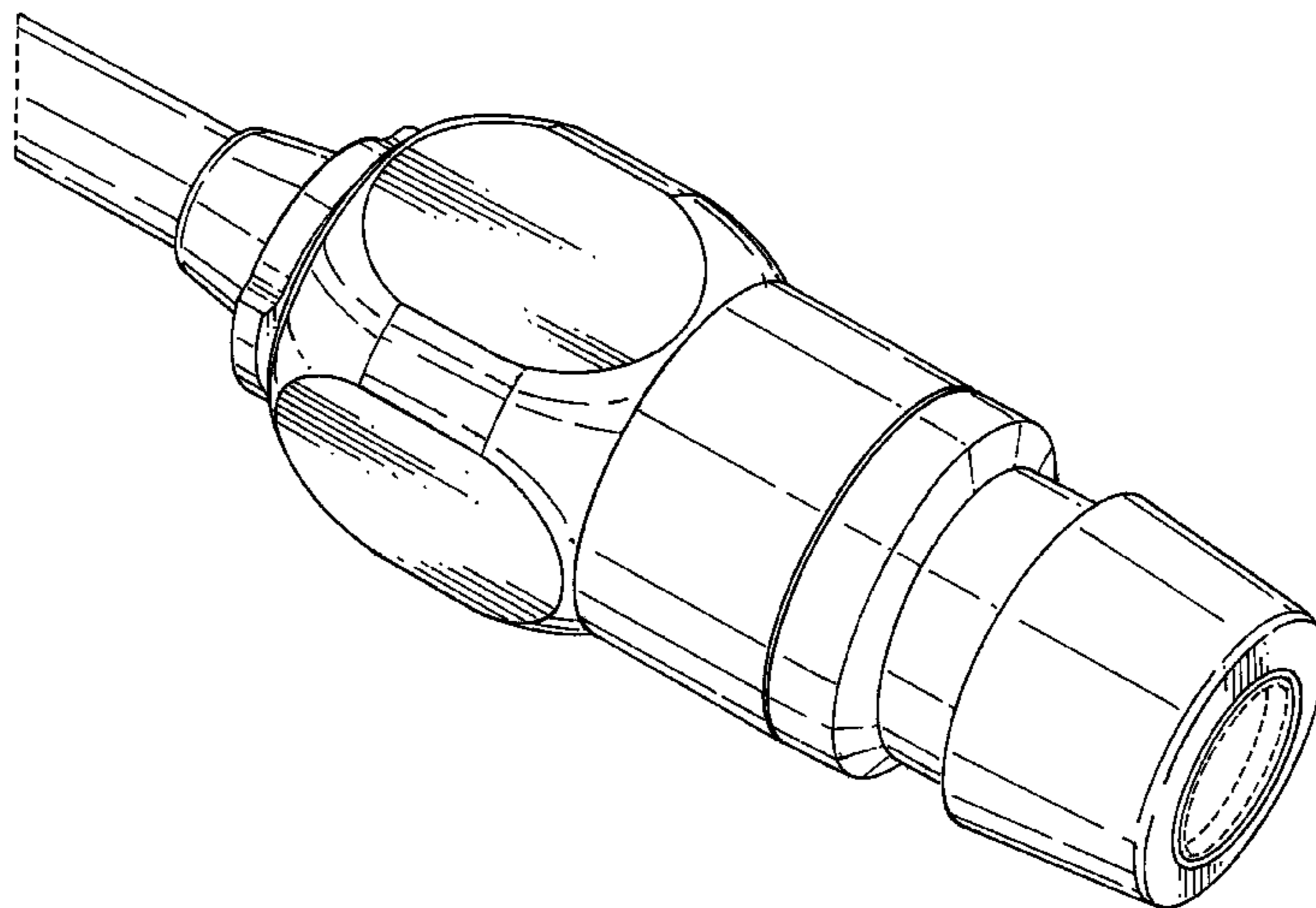
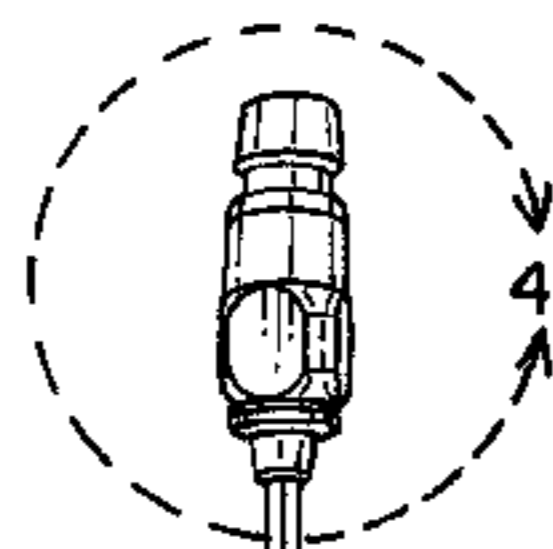
FIG. 7 is a perspective side view thereof;

FIG. 8 is a side view thereof, wherein the distal sleeve is pushed against the main body of the coupling; and,

FIG. 9 is a rear perspective view thereof.

The broken line showing in FIGS. 1-5, 7 and 9 is for illustration purposes only and forms no part of the claimed design.

1 Claim, 9 Drawing Sheets



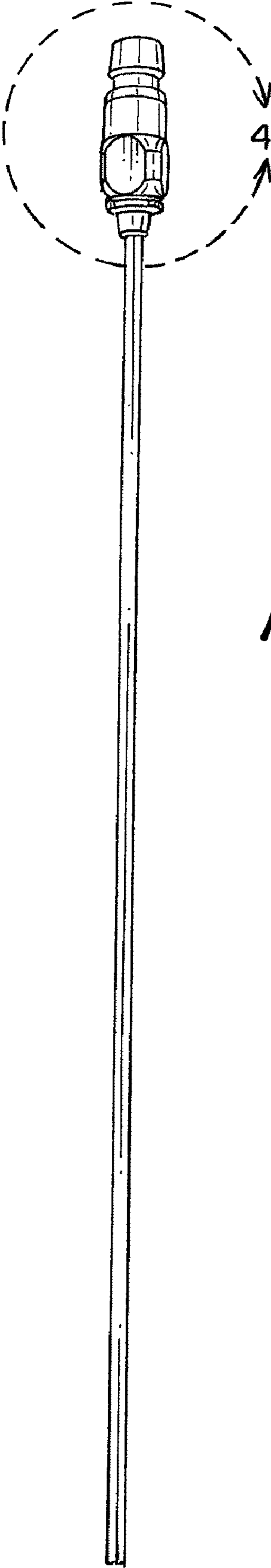


FIG. 1

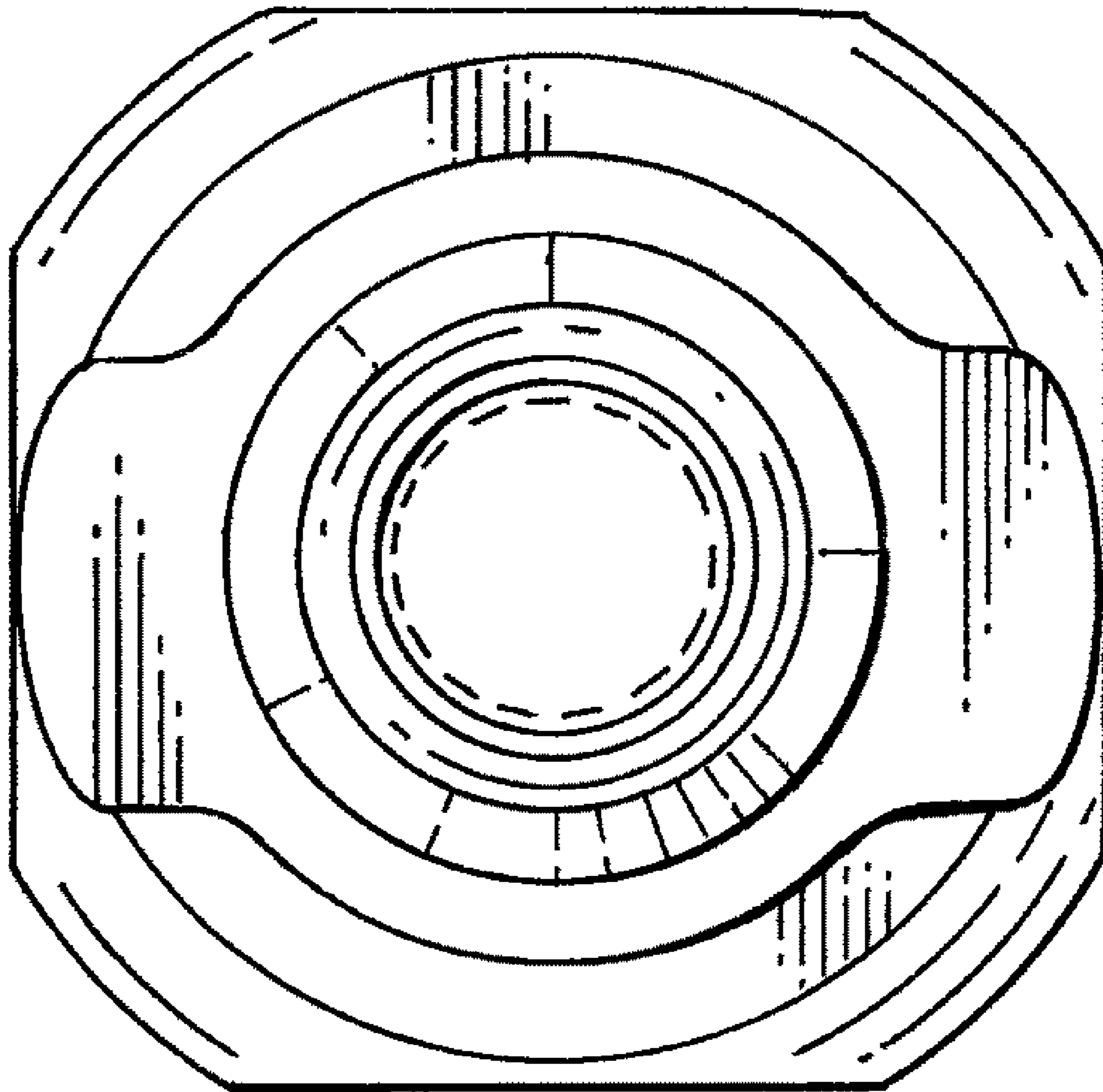


FIG. 2

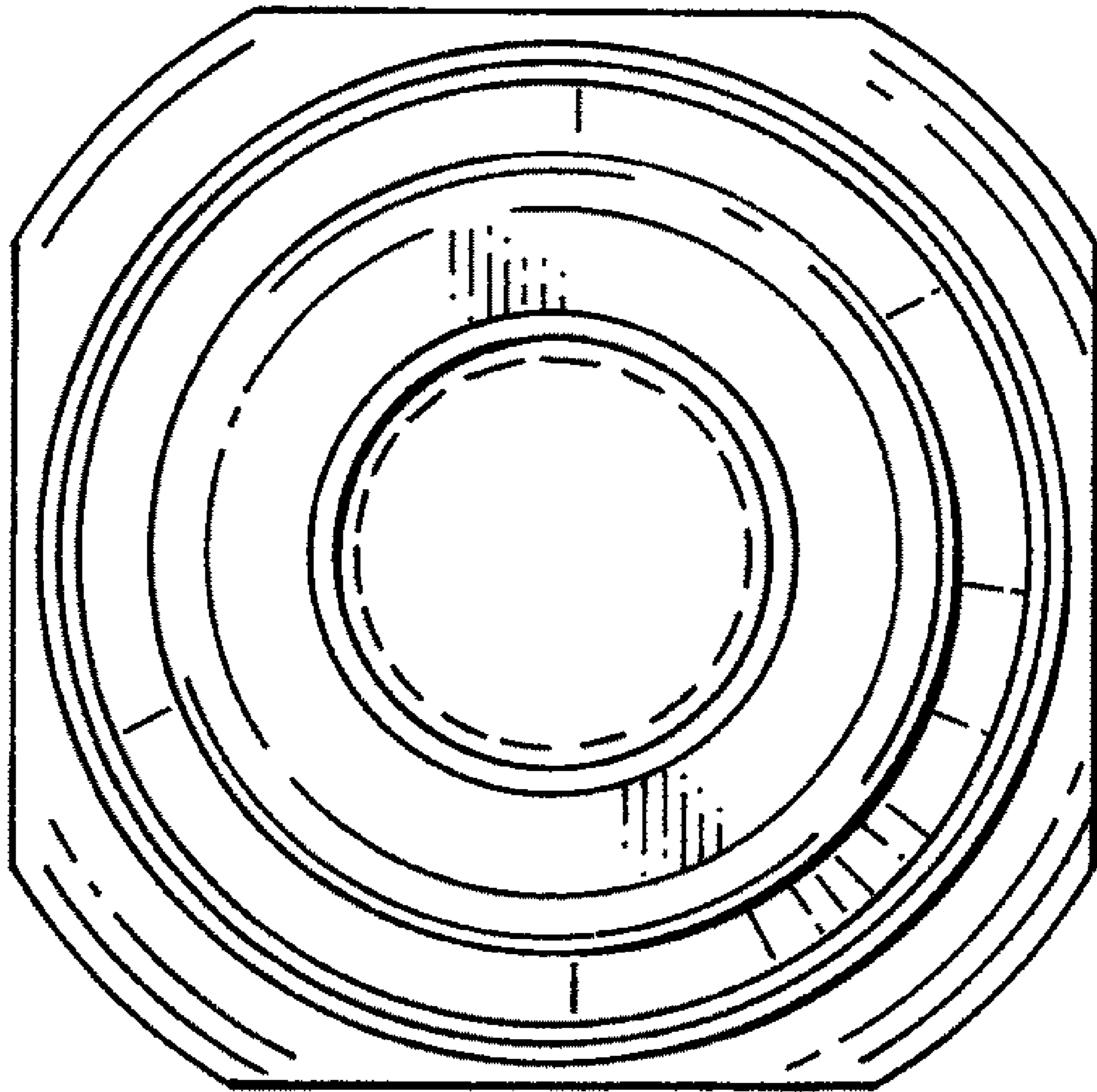


FIG. 3

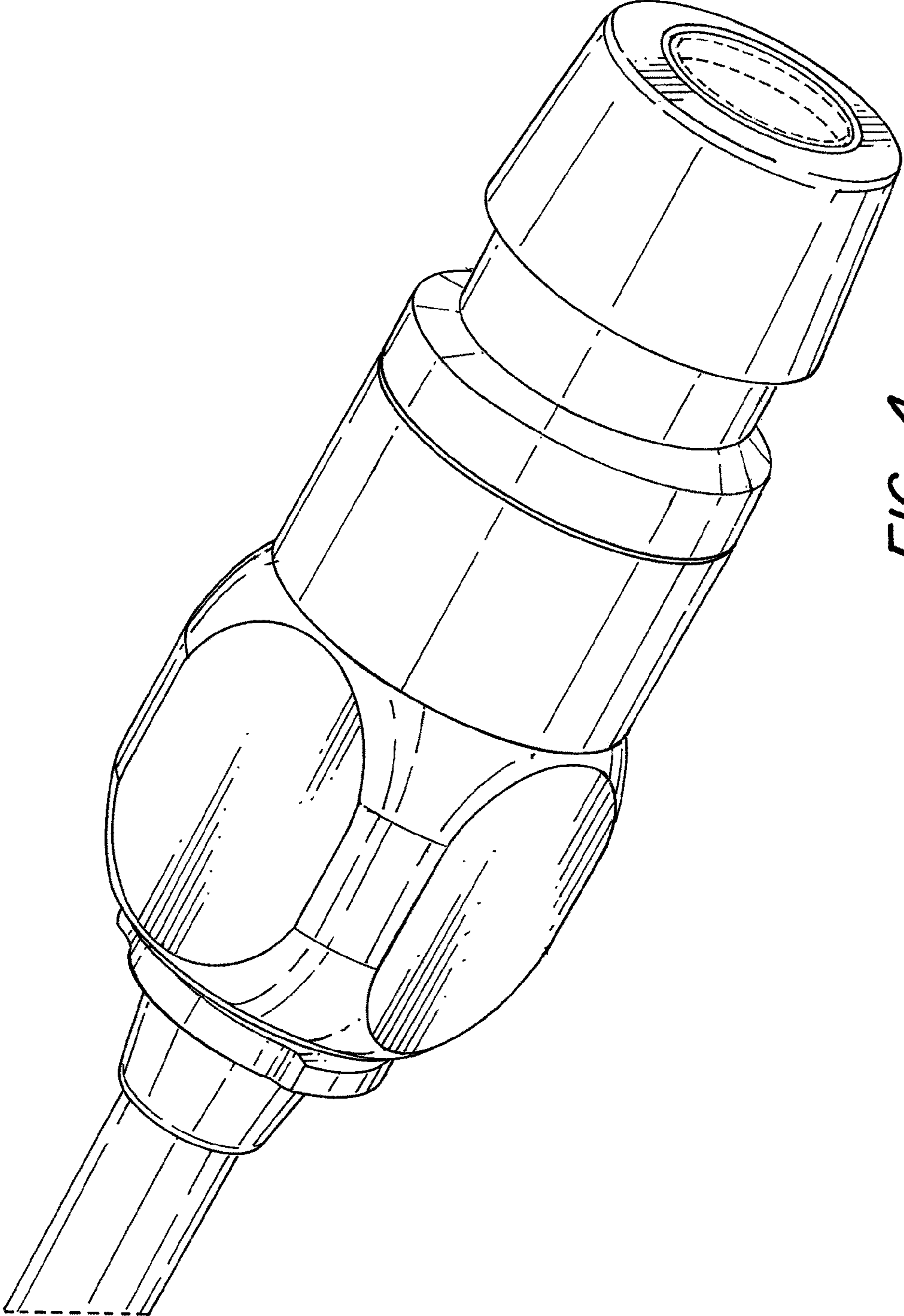


FIG. 4

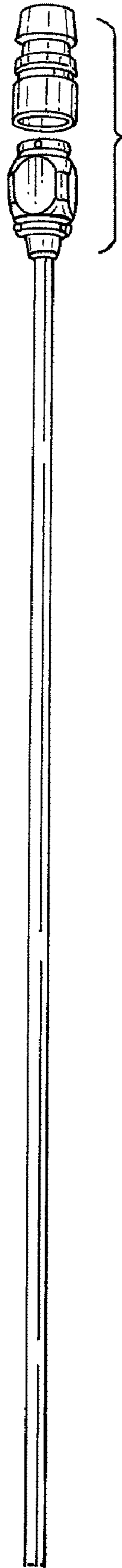


FIG. 5

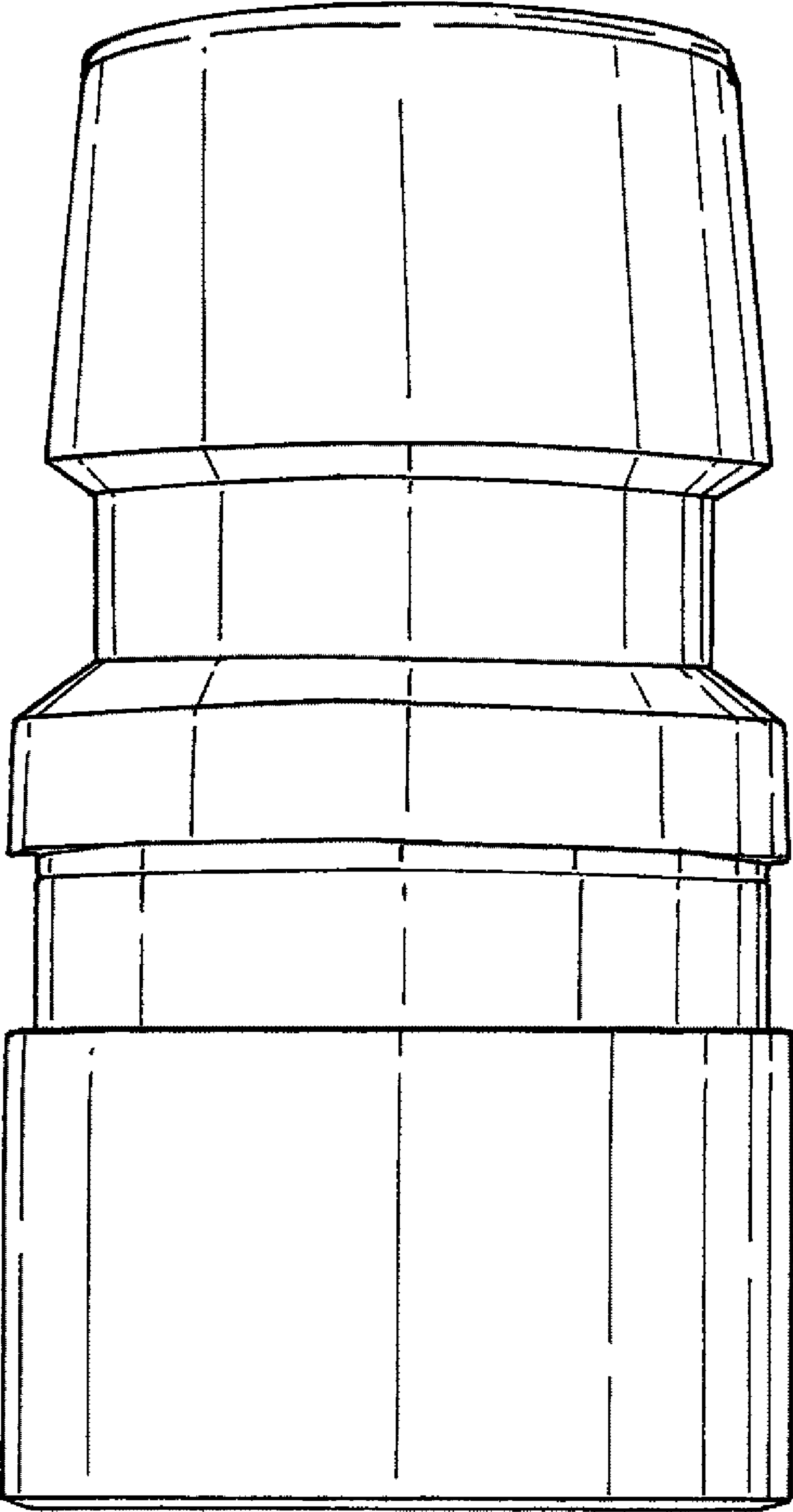


FIG. 6

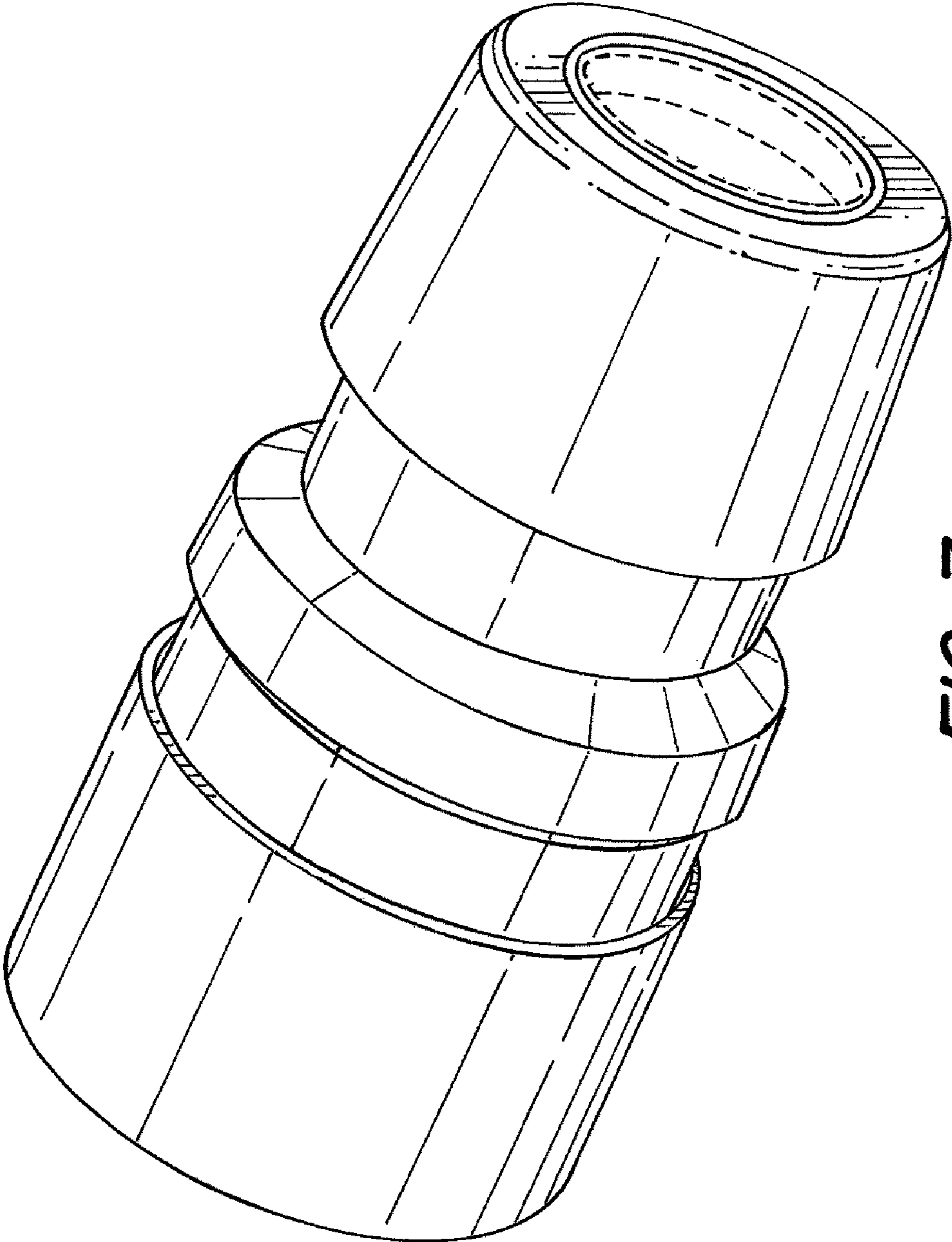


FIG. 7

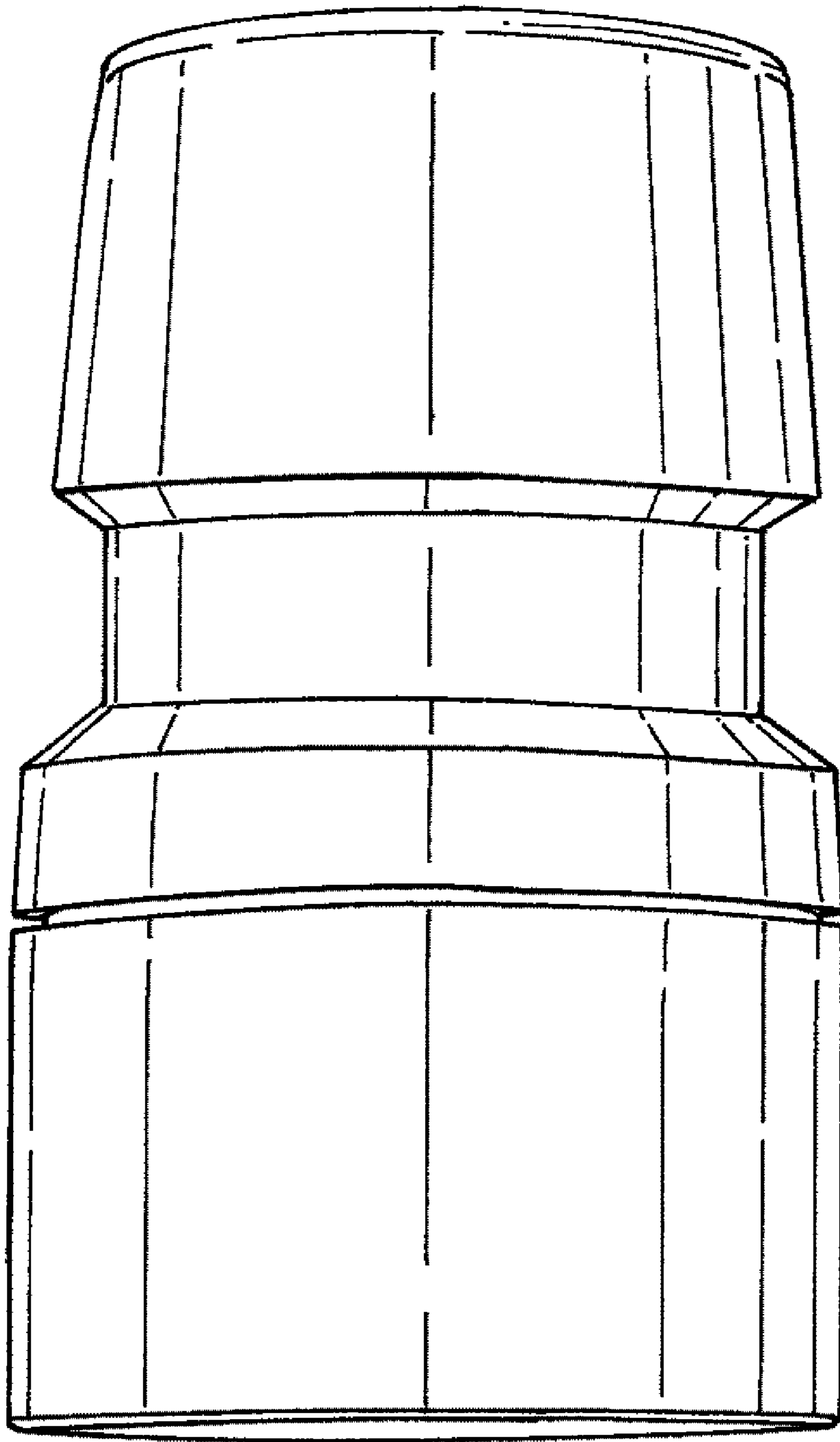


FIG. 8

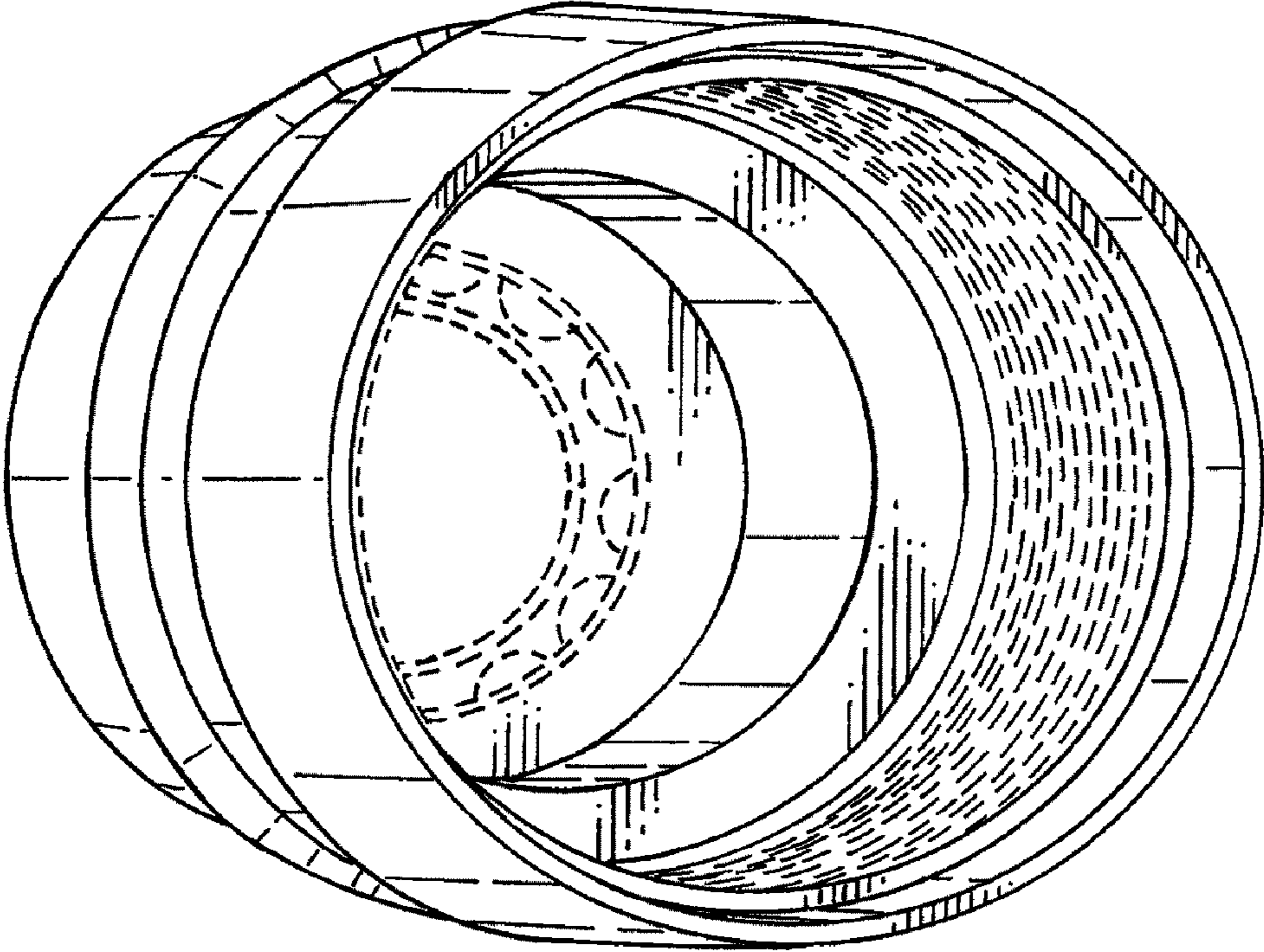


FIG. 9