

US00D634841S

(12) **United States Design Patent**  
**Tao**

(10) **Patent No.:** **US D634,841 S**

(45) **Date of Patent:** **\*\* Mar. 22, 2011**

(54) **LIP RETRACTOR**

(75) **Inventor:** **Bo Tao**, Chino, CA (US)

(73) **Assignee:** **Pac-dent International, Inc.**, Walnut, CA (US)

(\*\*) **Term:** **14 Years**

(21) **Appl. No.:** **29/364,547**

(22) **Filed:** **Jun. 24, 2010**

(51) **LOC (9) Cl.** ..... **24-02**

(52) **U.S. Cl.** ..... **D24/135; D24/152**

(58) **Field of Classification Search** ..... D24/135,  
D24/152, 176, 180; 128/846, 857, 859-861;  
482/11; 600/201, 208, 235, 237, 242; 433/140  
See application file for complete search history.

(56) **References Cited**

**U.S. PATENT DOCUMENTS**

D141,060 S \* 5/1945 Steele ..... D29/108  
6,514,176 B1 \* 2/2003 Norton ..... 482/11

D496,995 S \* 10/2004 Dorfman ..... D24/135  
D504,721 S \* 5/2005 Dorfman ..... D24/135  
D568,994 S \* 5/2008 Kumar et al. .... D24/135  
D615,203 S \* 5/2010 Hirsch et al. .... D24/152  
2005/0090835 A1 \* 4/2005 Deal et al. .... 606/108  
2010/0119989 A1 \* 5/2010 Raybuck ..... 433/93

\* cited by examiner

*Primary Examiner* — Bridget L Eland

(74) *Attorney, Agent, or Firm* — Zhenhui Huang

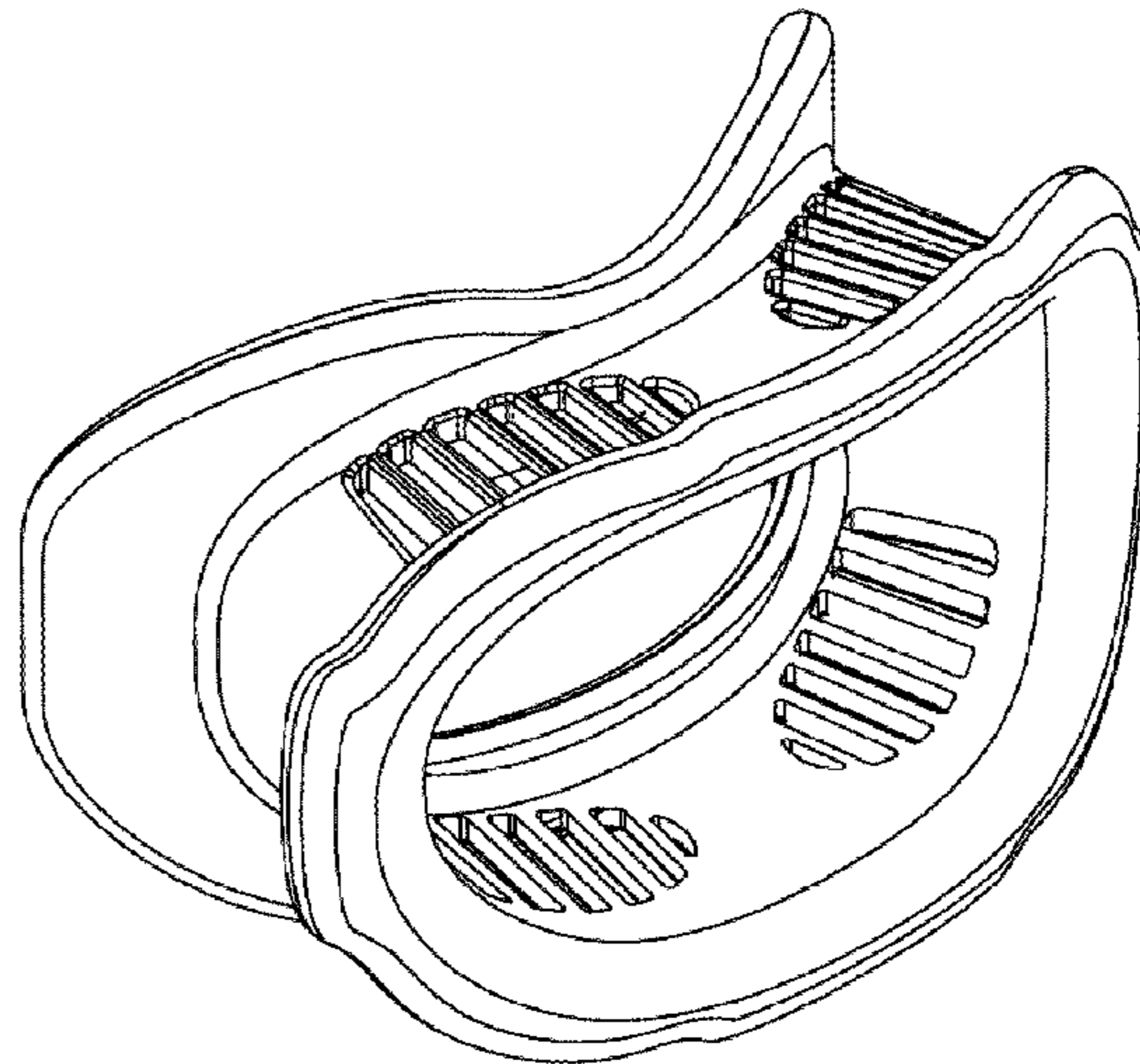
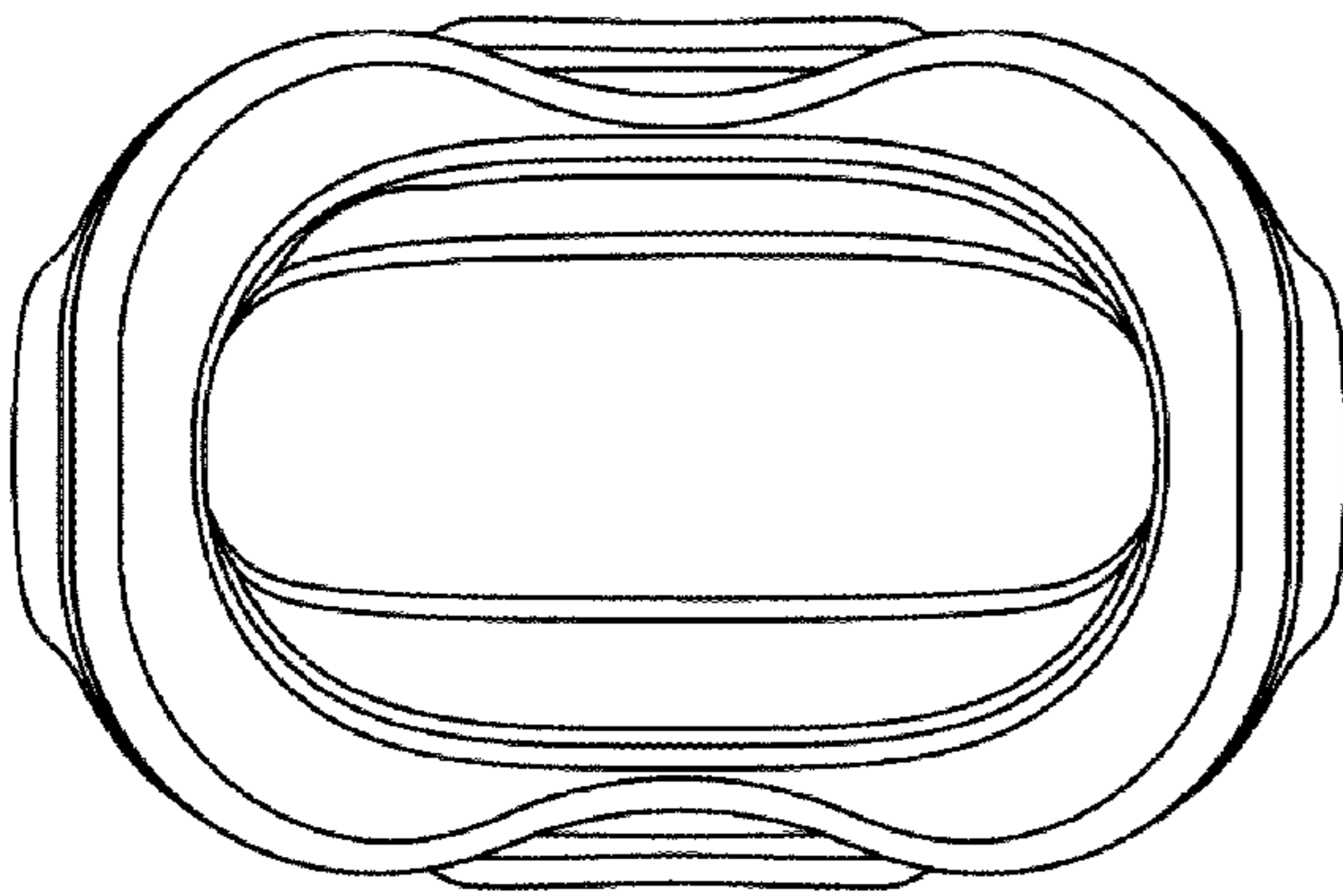
(57) **CLAIM**

The ornamental design for a lip retractor, as shown and described.

**DESCRIPTION**

FIG. 1 is a front view of the lip retractor;  
FIG. 2 is a rear view thereof;  
FIG. 3 is a top view thereof;  
FIG. 4 is a side view thereof; and,  
FIG. 5 is a perspective view thereof.

**1 Claim, 5 Drawing Sheets**



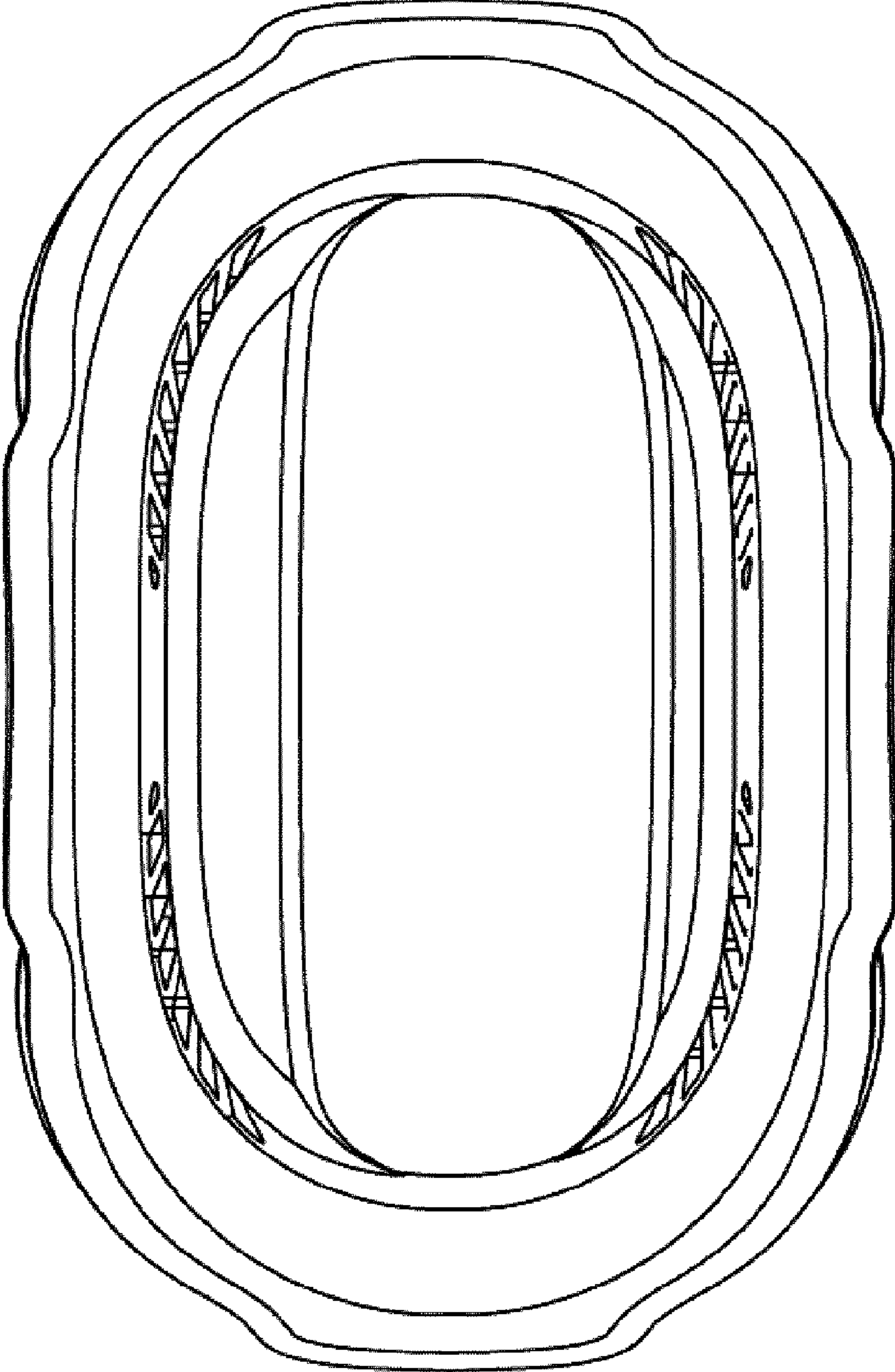


Fig. 1

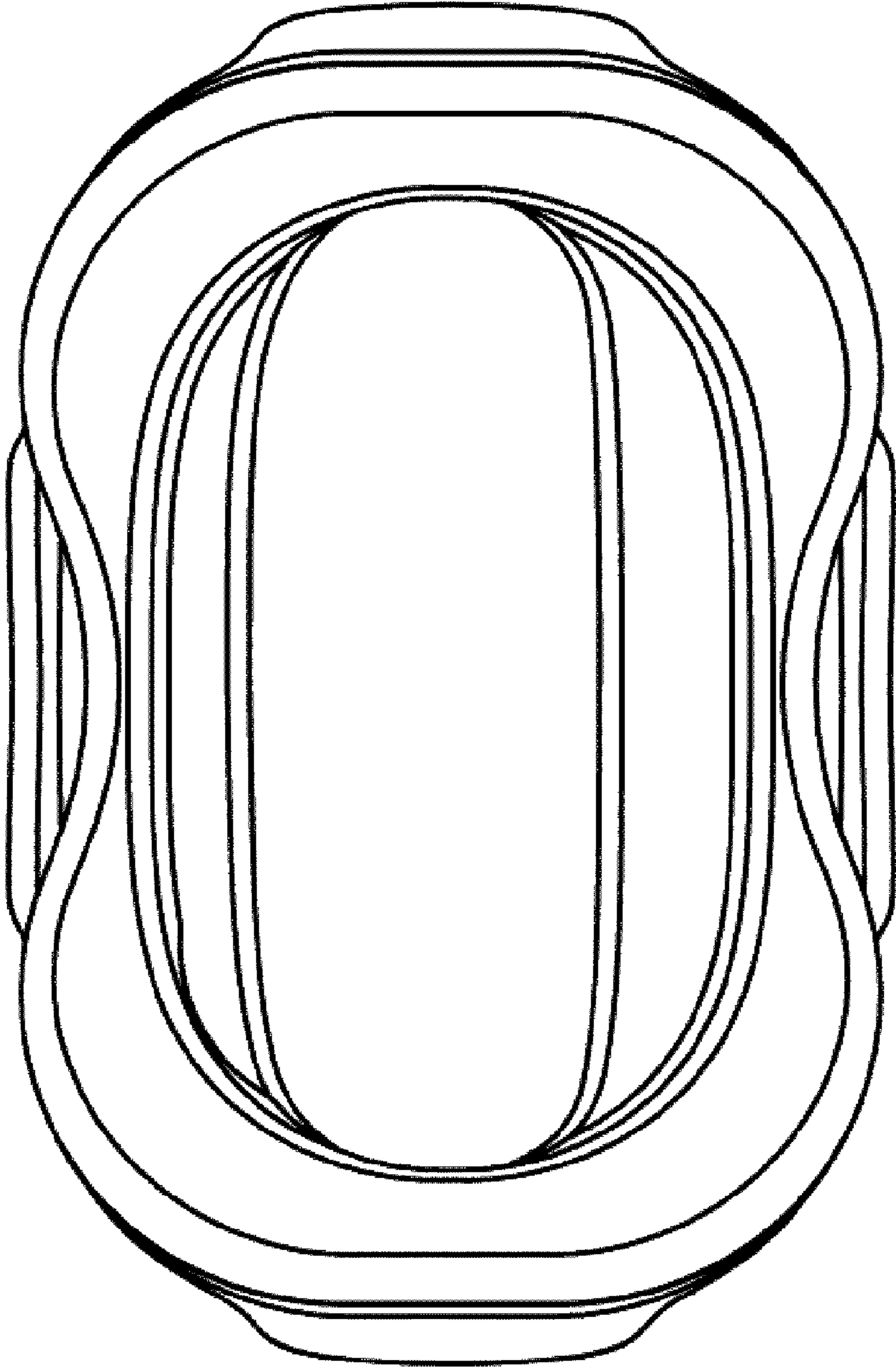


Fig. 2

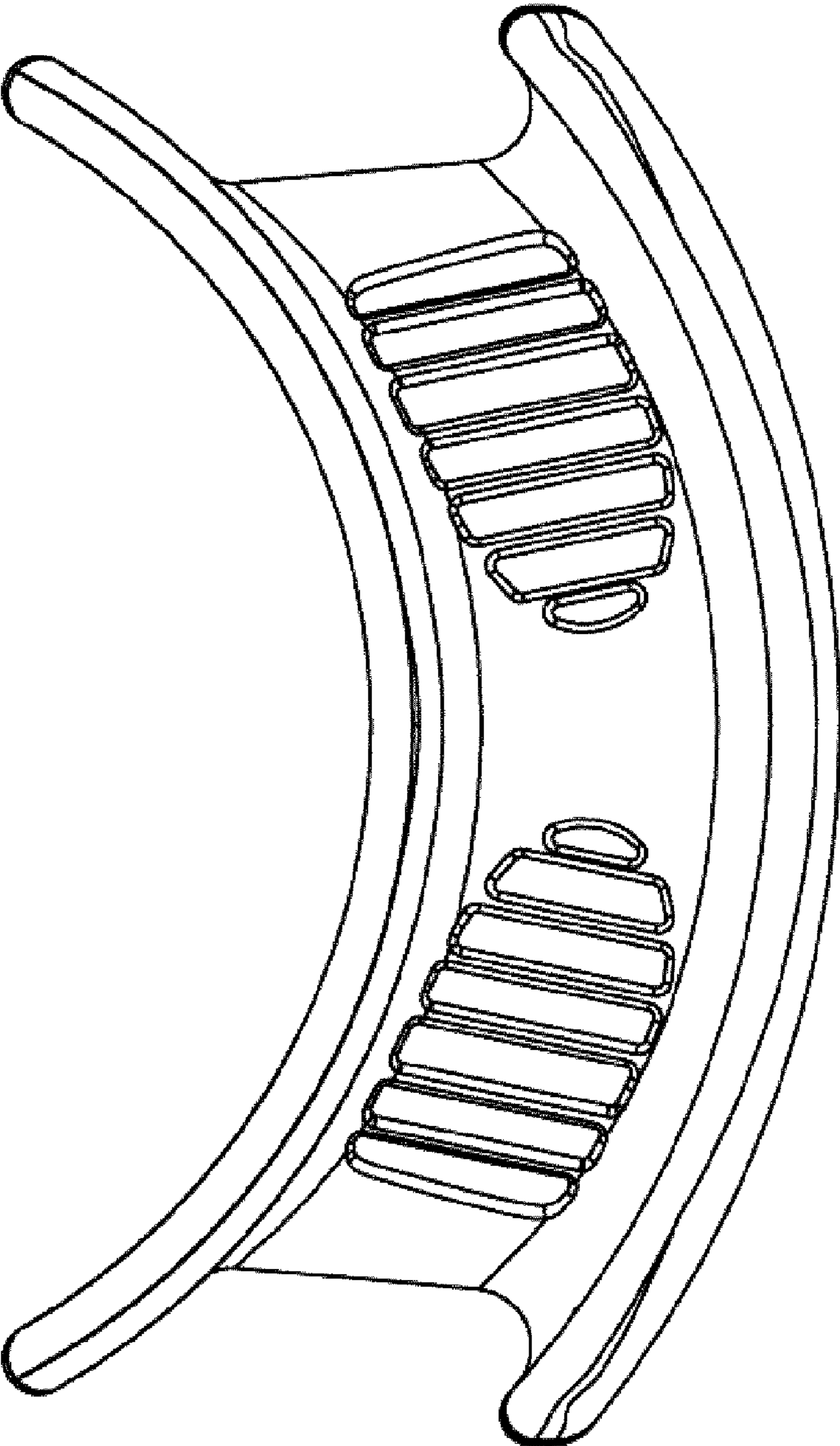


Fig. 3

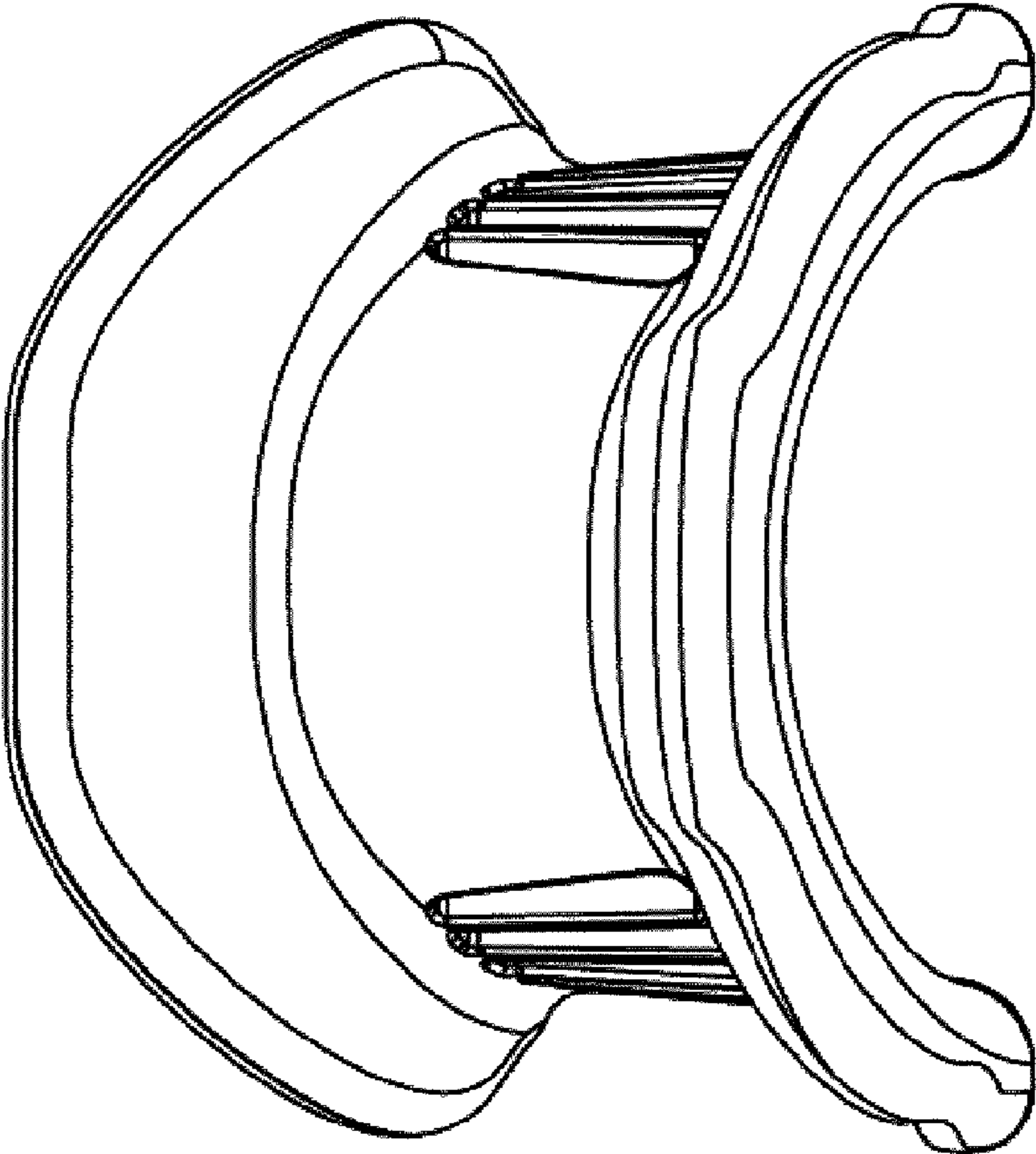


Fig. 4

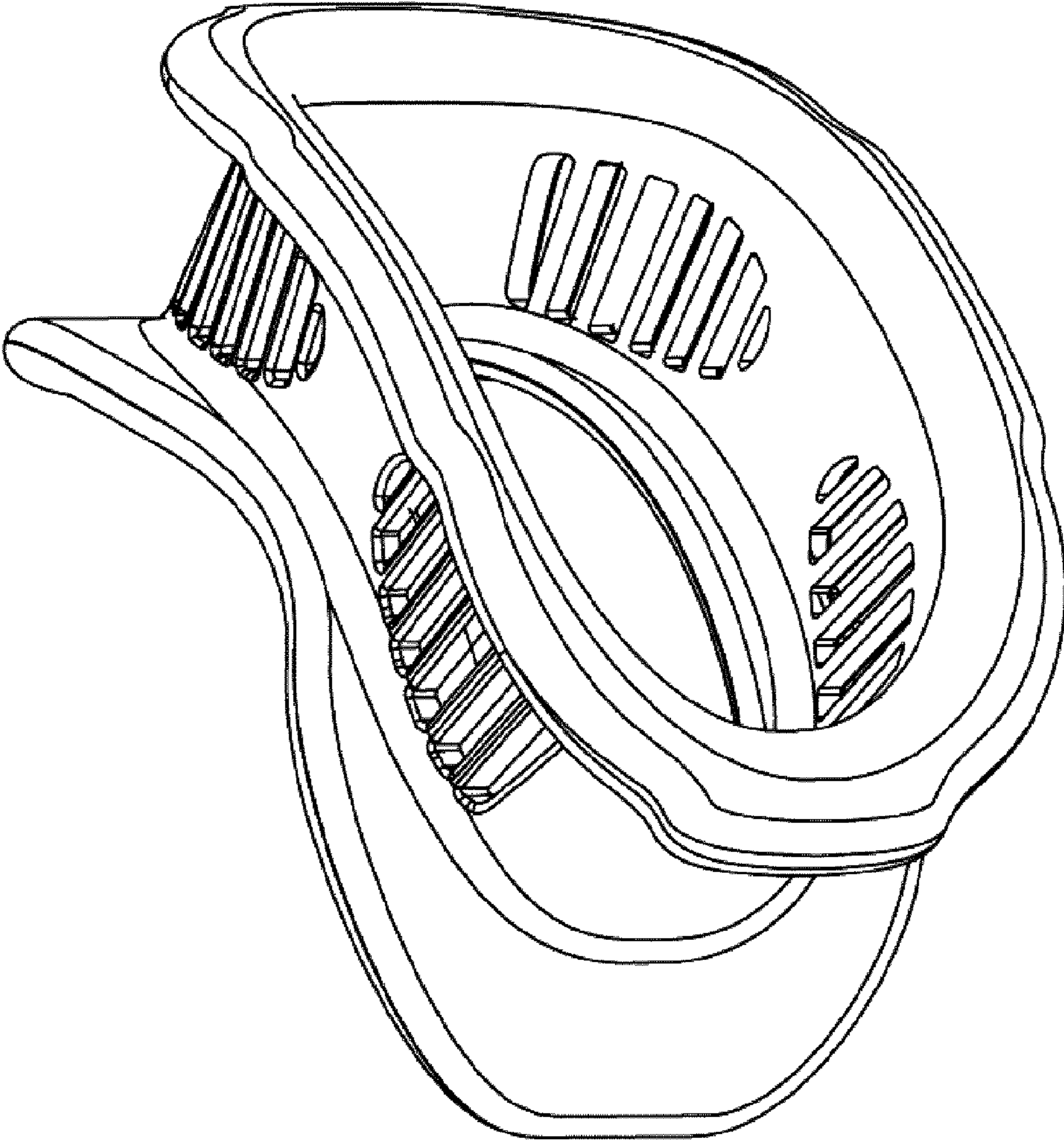


Fig. 5