



US00D634833S

(12) **United States Design Patent**  
**Stagg**

(10) **Patent No.:** **US D634,833 S**

(45) **Date of Patent:** **\*\* Mar. 22, 2011**

(54) **COOLING FAN**

(75) **Inventor:** **Jonathan B. Stagg**, Bellevue, MI (US)

(73) **Assignee:** **BorgWarner Inc.**, Auburn Hills, MI  
(US)

(\*\*) **Term:** **14 Years**

(21) **Appl. No.:** **29/361,374**

(22) **Filed:** **May 10, 2010**

(51) **LOC (9) Cl.** ..... **23-04**

(52) **U.S. Cl.** ..... **D23/370**

(58) **Field of Classification Search** ..... D23/370,  
D23/379, 411, 413; 416/223 R; D12/214

See application file for complete search history.

(56) **References Cited**

U.S. PATENT DOCUMENTS

D246,796 S *	12/1977	Laymon et al. ....	D23/413
D446,295 S *	8/2001	Williams et al. ....	D23/370
D507,343 S *	7/2005	Chiu et al. ....	D23/379

\* cited by examiner

*Primary Examiner* — Lisa P Lichtenstein

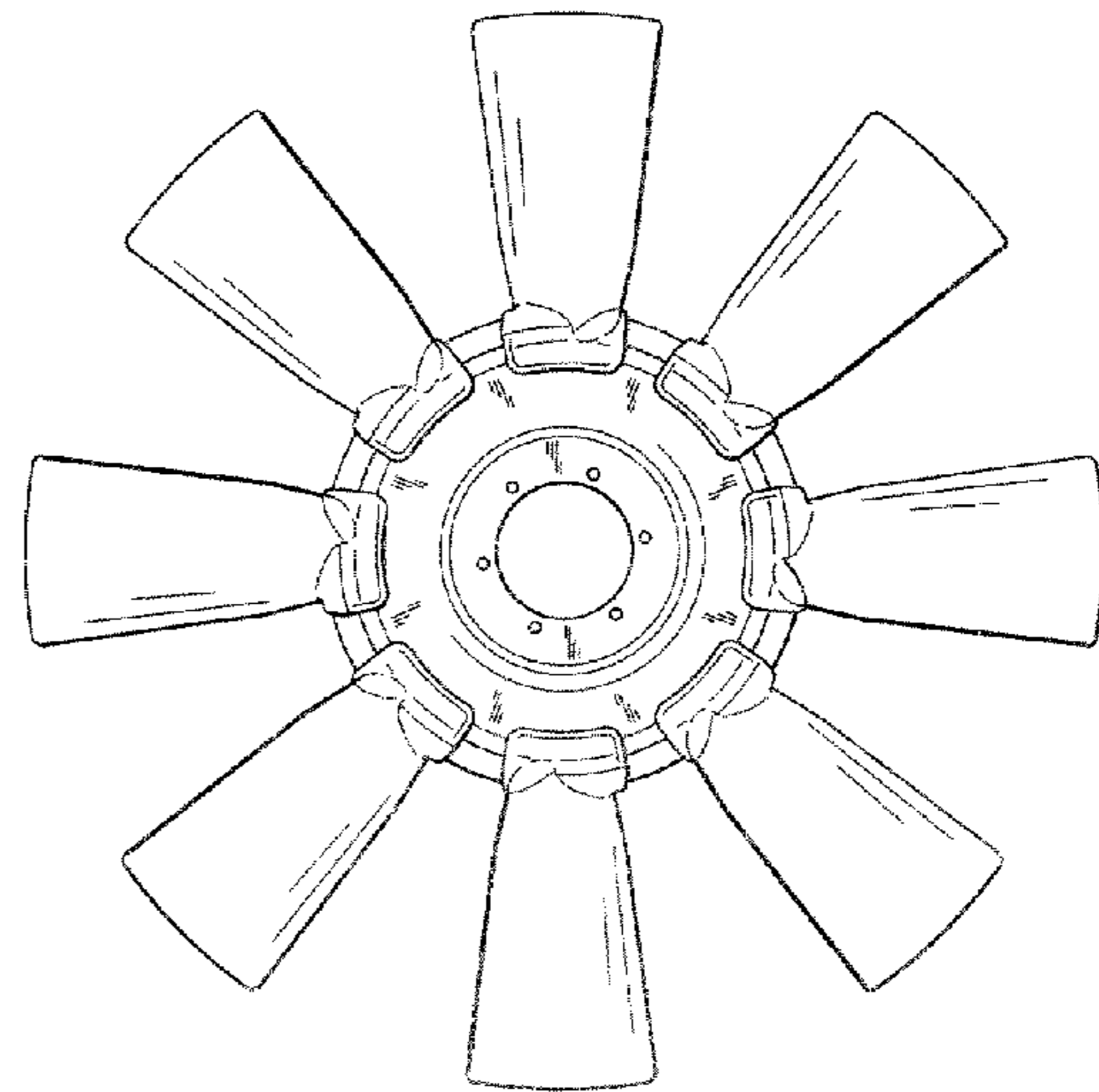
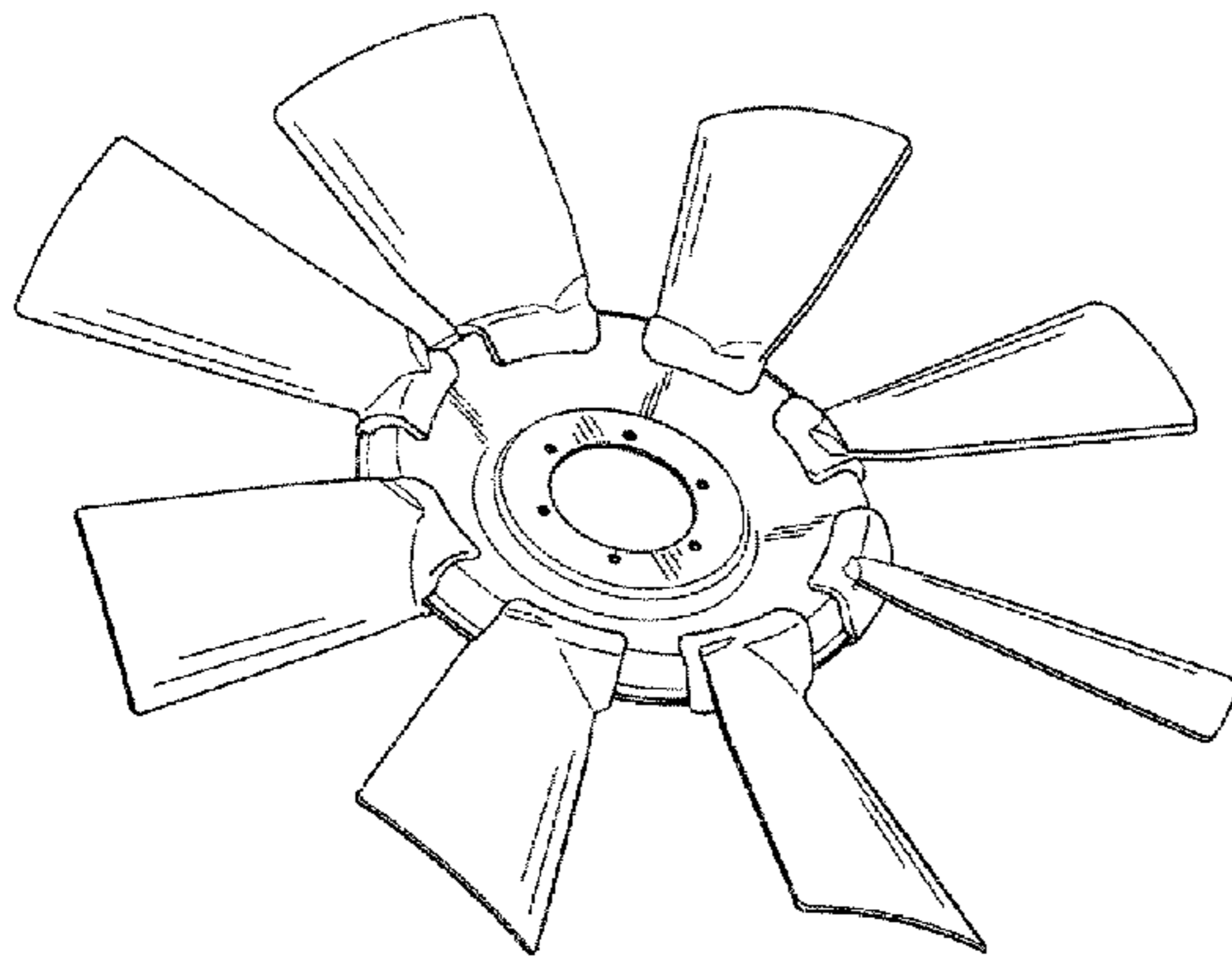
(57) **CLAIM**

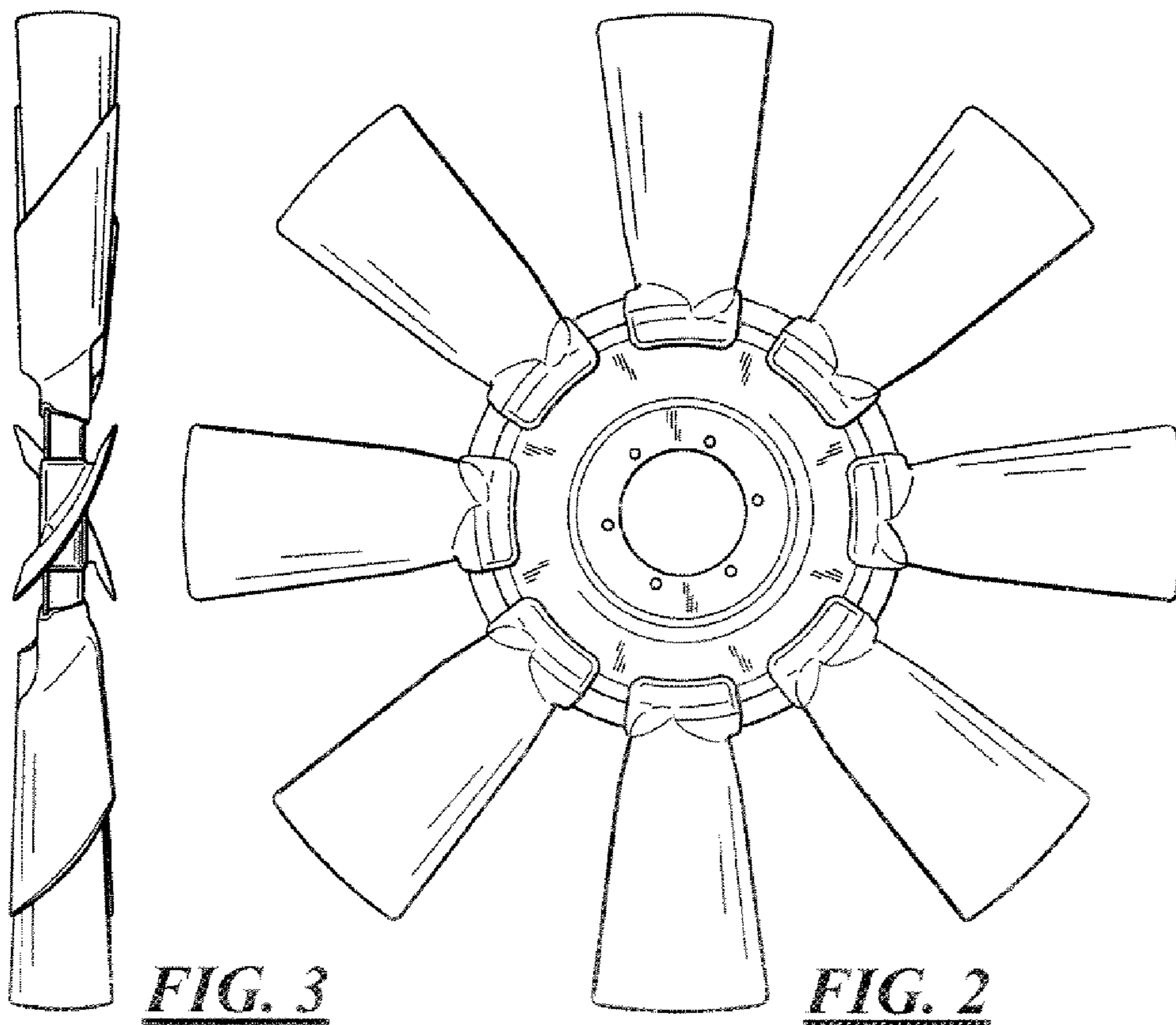
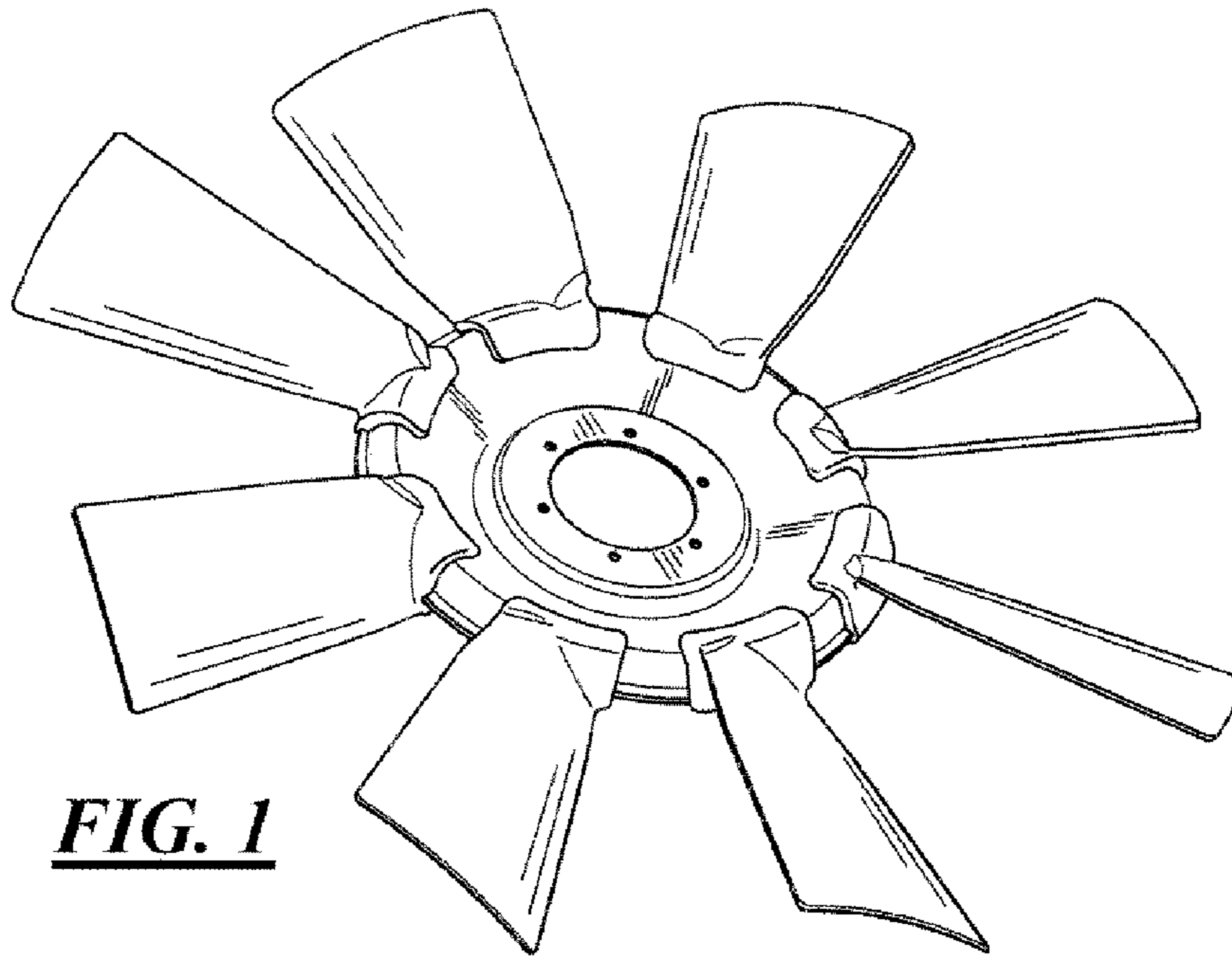
The ornamental design for the cooling fan, as shown and described.

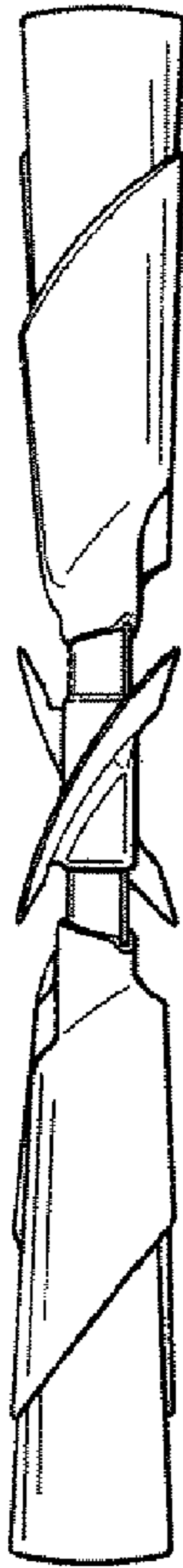
**DESCRIPTION**

FIG. 1 is a perspective view of the cooling fan.  
FIG. 2 is a front view of the cooling fan.  
FIG. 3 is a left side view of the cooling fan.  
FIG. 4 is a back view of the cooling fan.  
FIG. 5 is a right side view of the cooling fan.  
FIG. 6 is a top view of the cooling fan; and,  
FIG. 7 is a bottom view of the cooling fan.

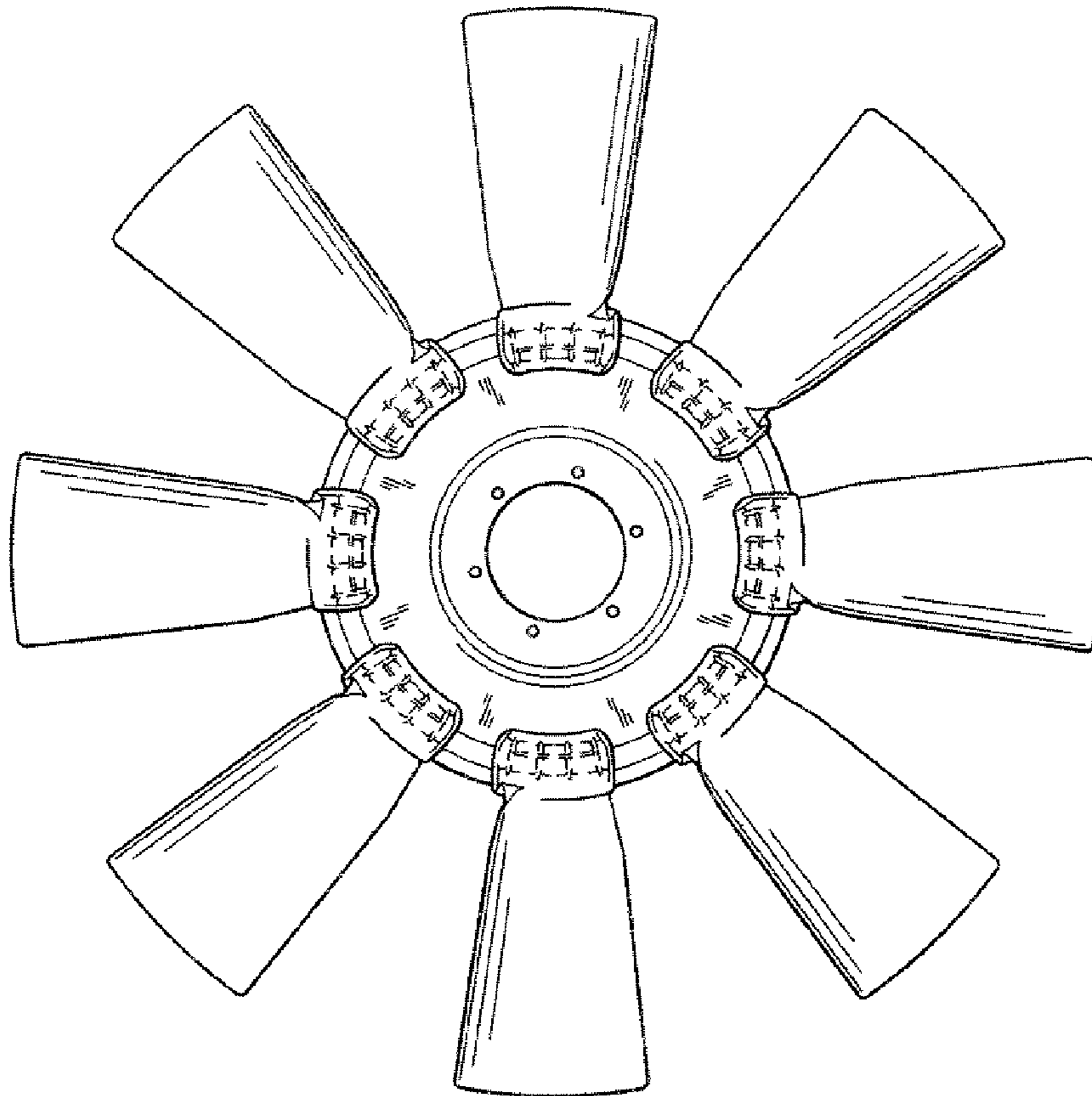
**1 Claim, 2 Drawing Sheets**







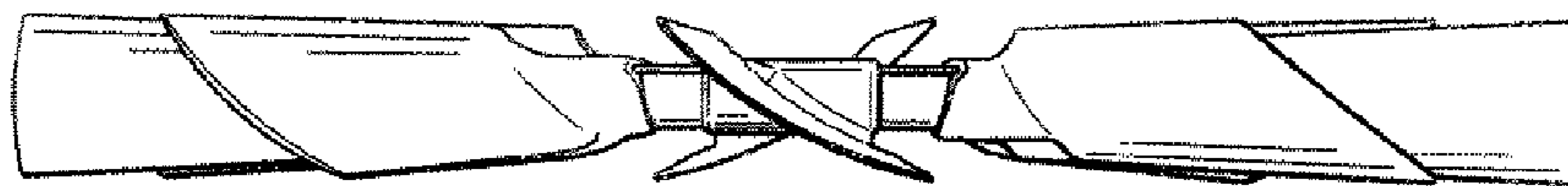
**FIG. 5**



**FIG. 4**



**FIG. 6**



**FIG. 7**