



US00D634830S

(12) **United States Design Patent**
Tsubakida et al.

(10) **Patent No.:** **US D634,830 S**
(45) **Date of Patent:** **** Mar. 22, 2011**

(54) **AROMATIC SUBSTANCE CARTRIDGE**

Primary Examiner — Sandra Snapp

(75) Inventors: **Toshio Tsubakida**, Kumagaya (JP);
Hideki Nagano, Kumagaya (JP);
Tomoharu Shinohara, Kumagaya (JP)

(74) *Attorney, Agent, or Firm* — DLA Piper LLP (US)

(73) Assignee: **Valeo Thermal Systems Japan Corporation**, Saitama (JP)

(57) **CLAIM**

The ornamental design for an aromatic substance cartridge, as shown and described.

(**) Term: **14 Years**

(21) Appl. No.: **29/354,915**

DESCRIPTION

(22) Filed: **Jan. 29, 2010**

(51) **LOC (9) Cl.** **28-99**

(52) **U.S. Cl.** **D23/366**

(58) **Field of Classification Search** D23/355–369;
D28/5, 6; 261/DIG. 17, DIG. 42, DIG. 65,
261/DIG. 88, DIG. 89; 392/386, 390, 391,
392/392, 394, 395, 389, 393; 239/34, 35,
239/43–45, 53, 56, 57, 60, 326, 42, 50, 55
See application file for complete search history.

FIG. 1 is a perspective view of an aromatic substance cartridge showing our new design.
FIG. 2 is a rear perspective view thereof.
FIG. 3 is a front elevation view thereof.
FIG. 4 is a top view thereof.
FIG. 5 is a right side view thereof.
FIG. 6 is a left side view thereof.
FIG. 7 is a cross-sectional view taken along line A—A in FIG. 3;
FIG. 8 is a cross-sectional view taken along line B—B in FIG. 3;
FIG. 9 is a perspective view illustrating a state in which the cartridge is mounted on an aroma dispensing device; and,
FIG. 10 is a perspective view illustrating a state in which the cartridge is mounted on an aroma dispensing device.
The broken lines included for the purpose of illustrating an aromatic substance cartridge that form no part of the claimed design.

(56) **References Cited**

U.S. PATENT DOCUMENTS

D291,242 S *	8/1987	Harden et al.	D23/386
D304,758 S *	11/1989	Glucksman et al.	D23/366
D330,758 S *	11/1992	Muderlak	D23/366
D562,957 S *	2/2008	Feriani et al.	D23/366
D562,958 S *	2/2008	Feriani et al.	D23/366
D612,038 S *	3/2010	Jorgensen	D23/366

* cited by examiner

1 Claim, 10 Drawing Sheets

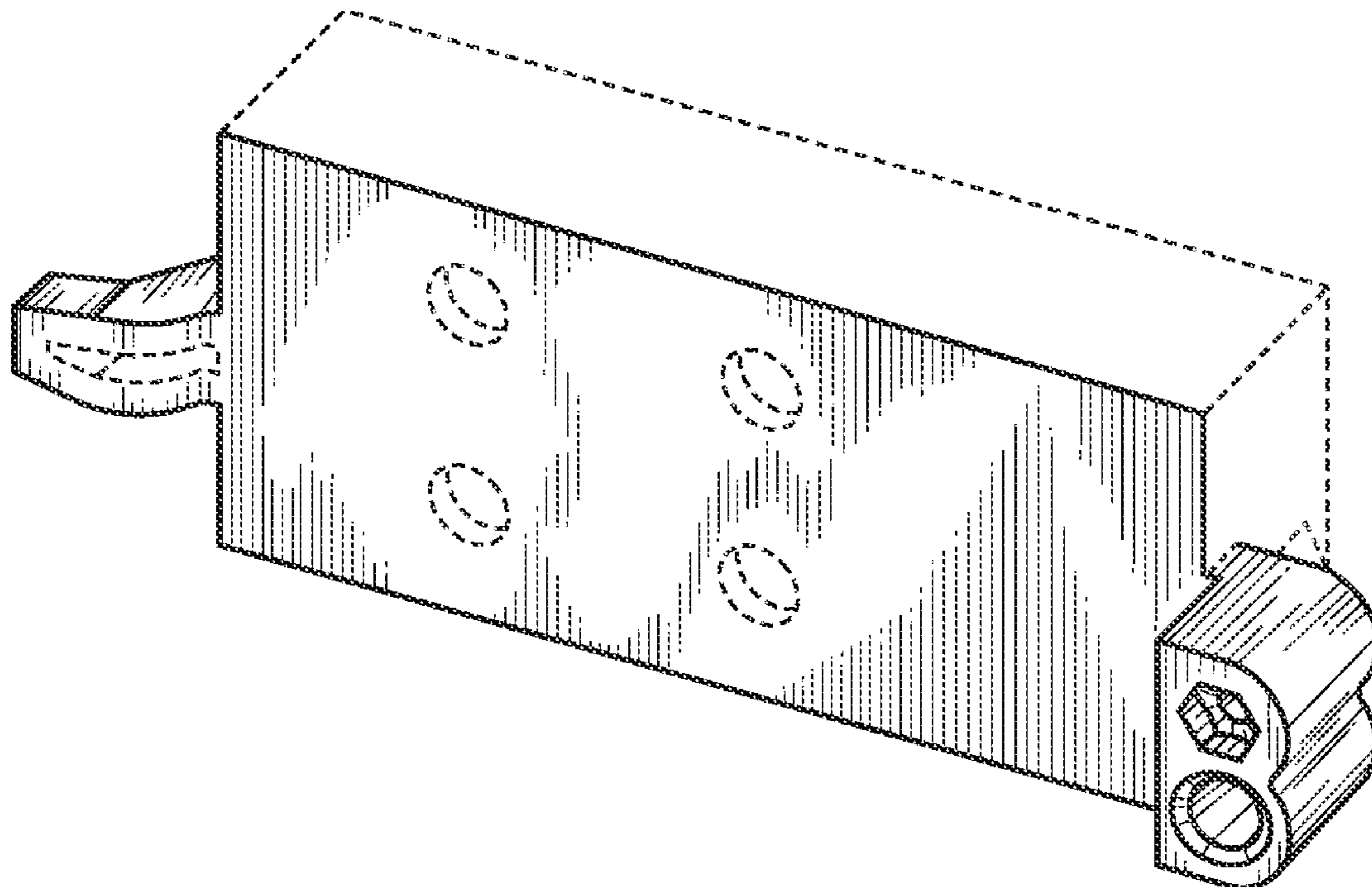


FIG. 1

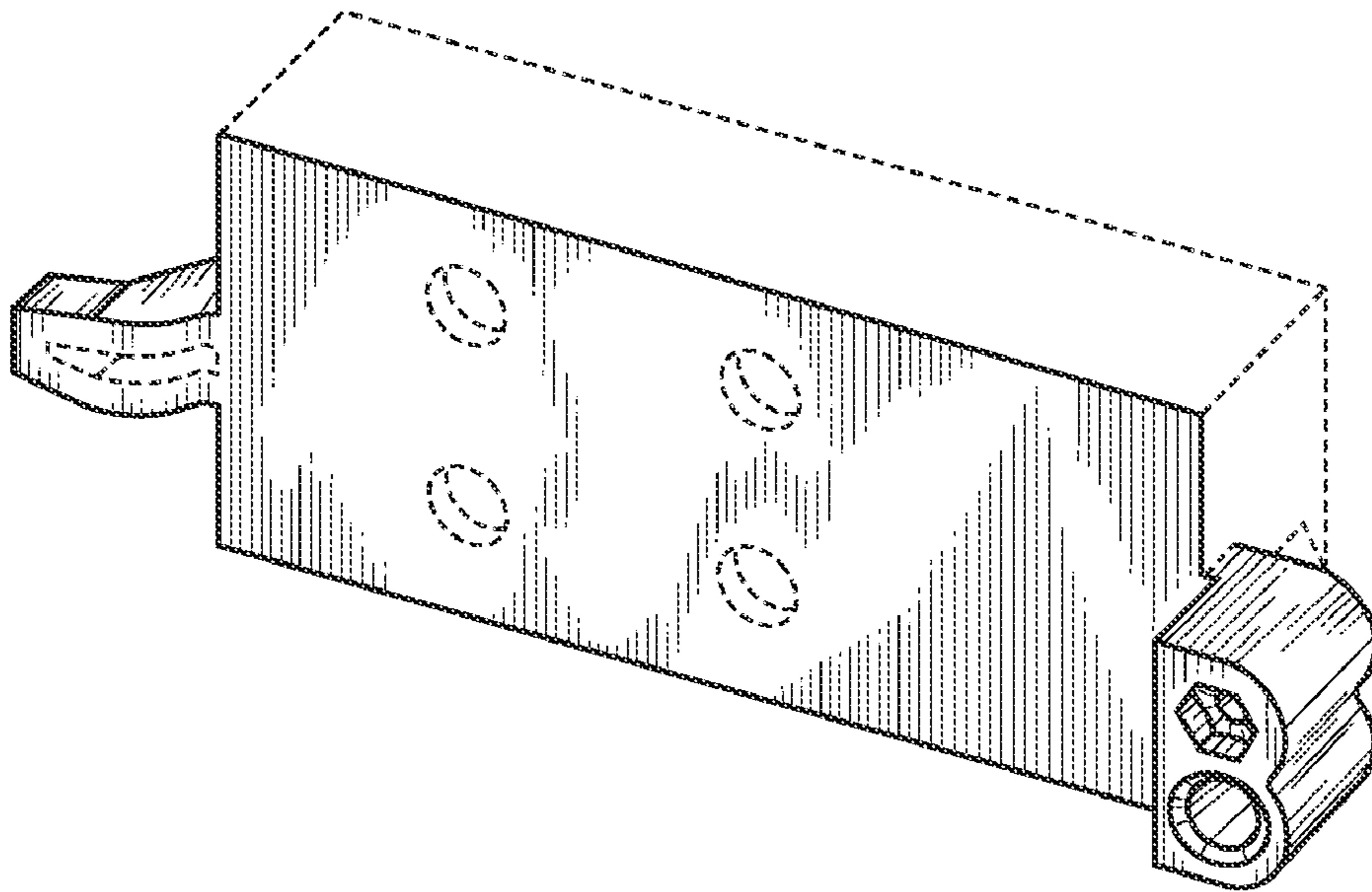


FIG.2

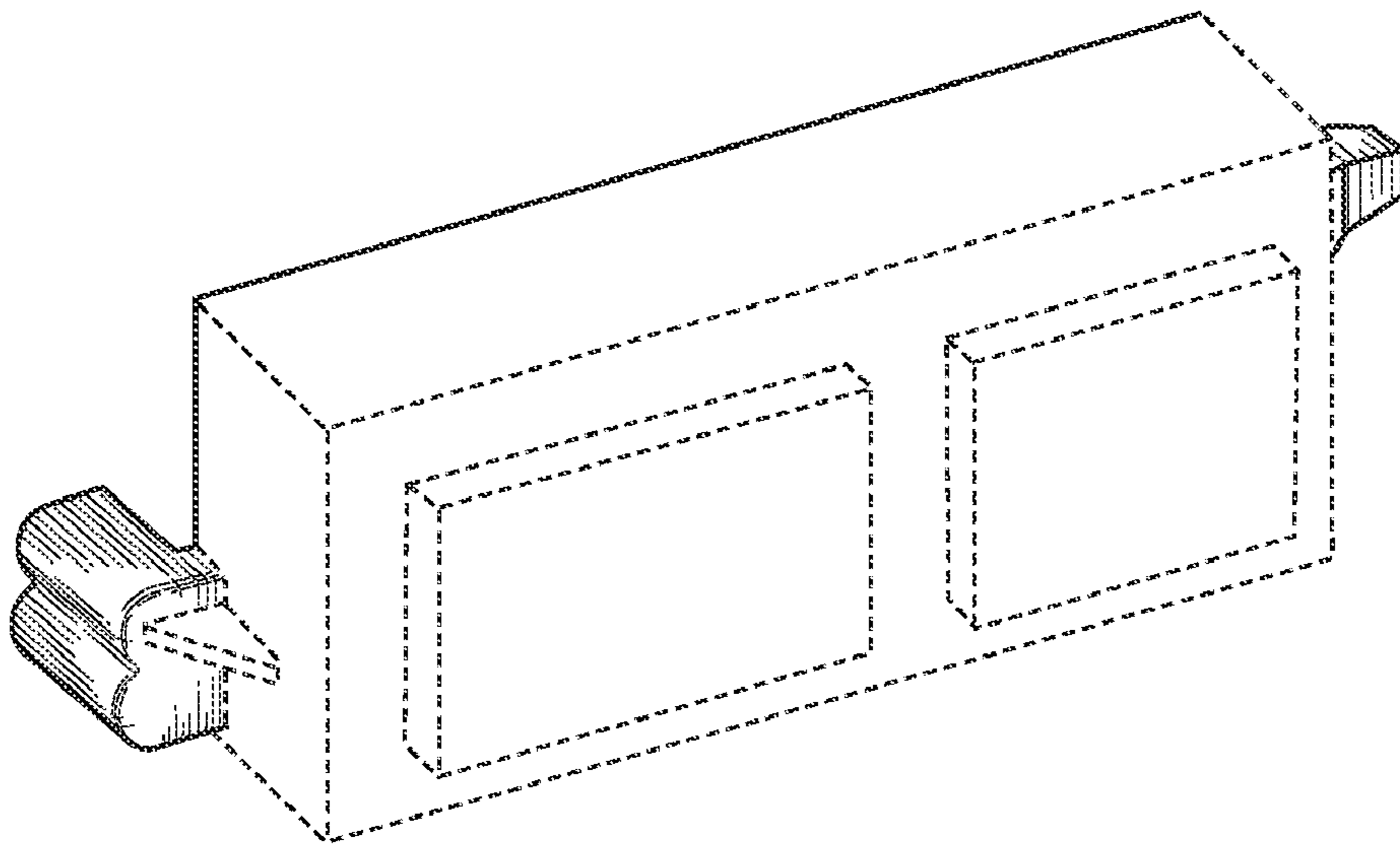


FIG. 3

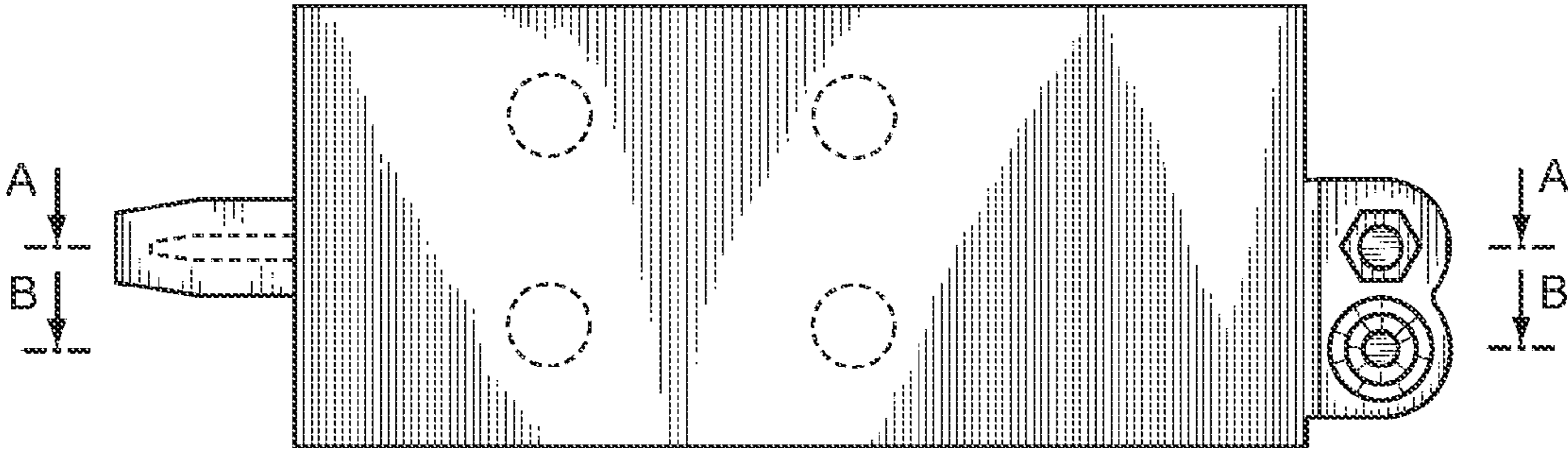


FIG. 4

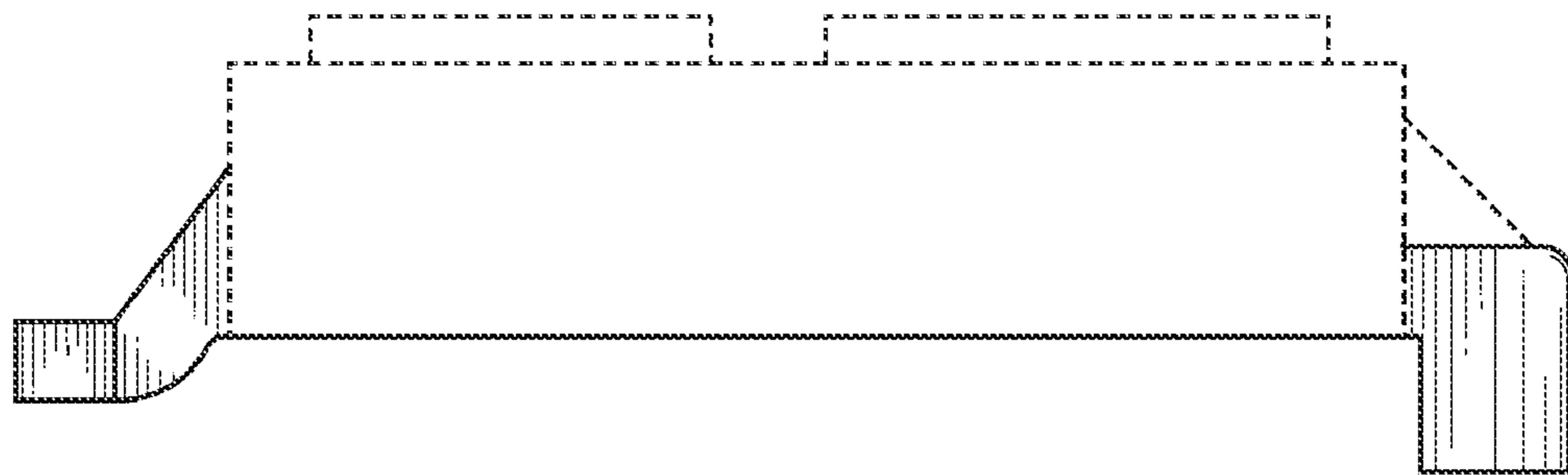


FIG. 5

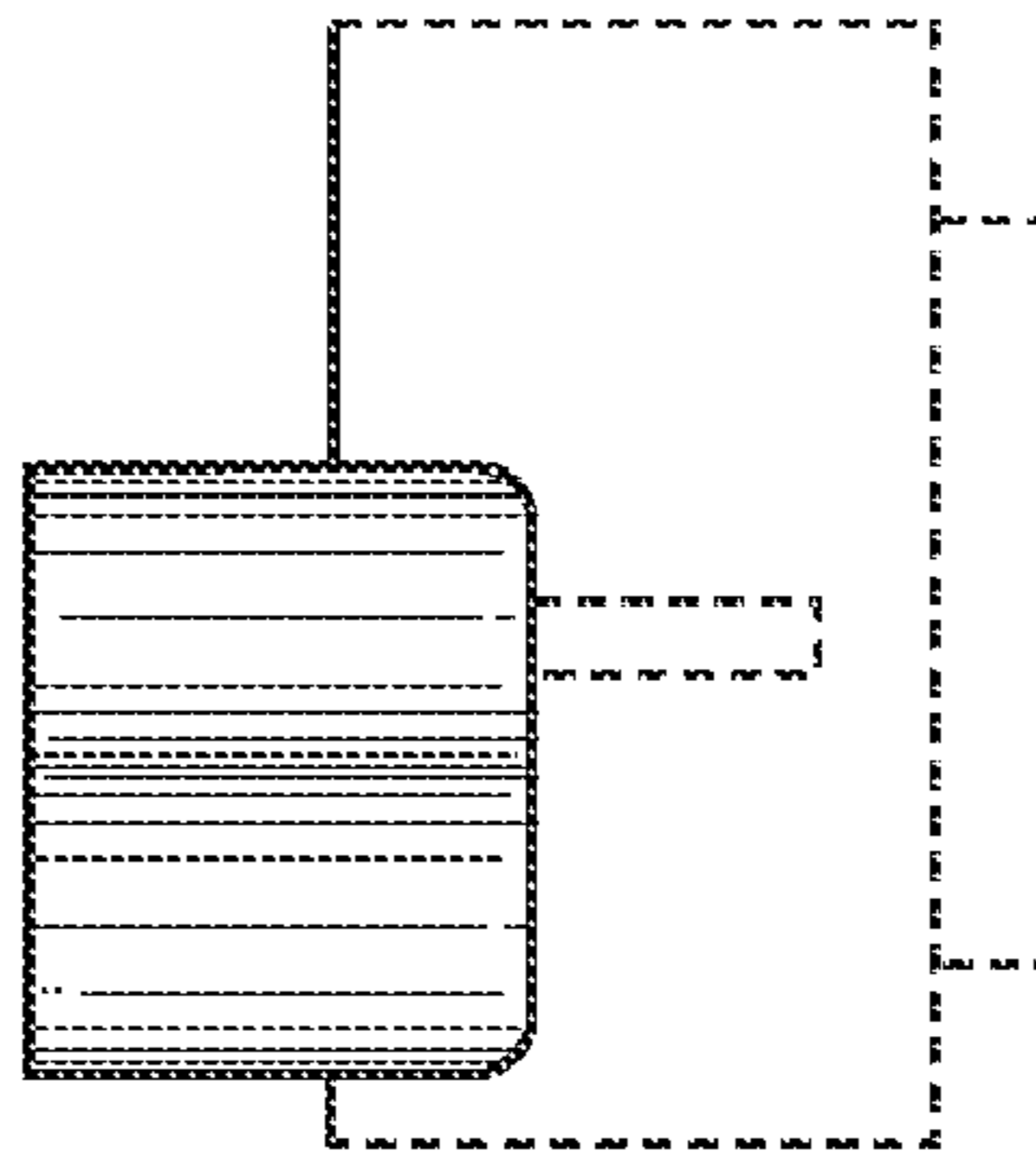
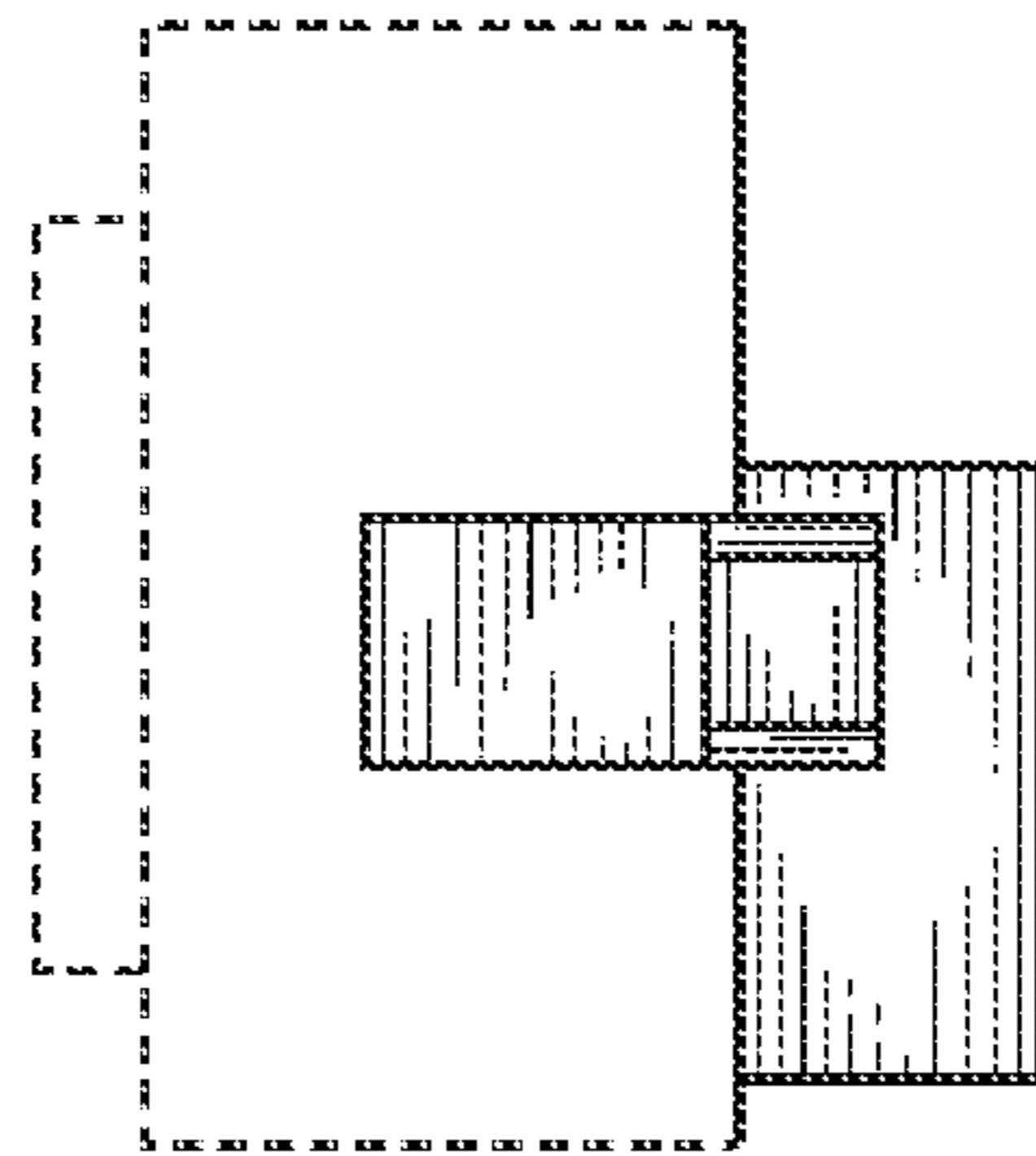


FIG. 6



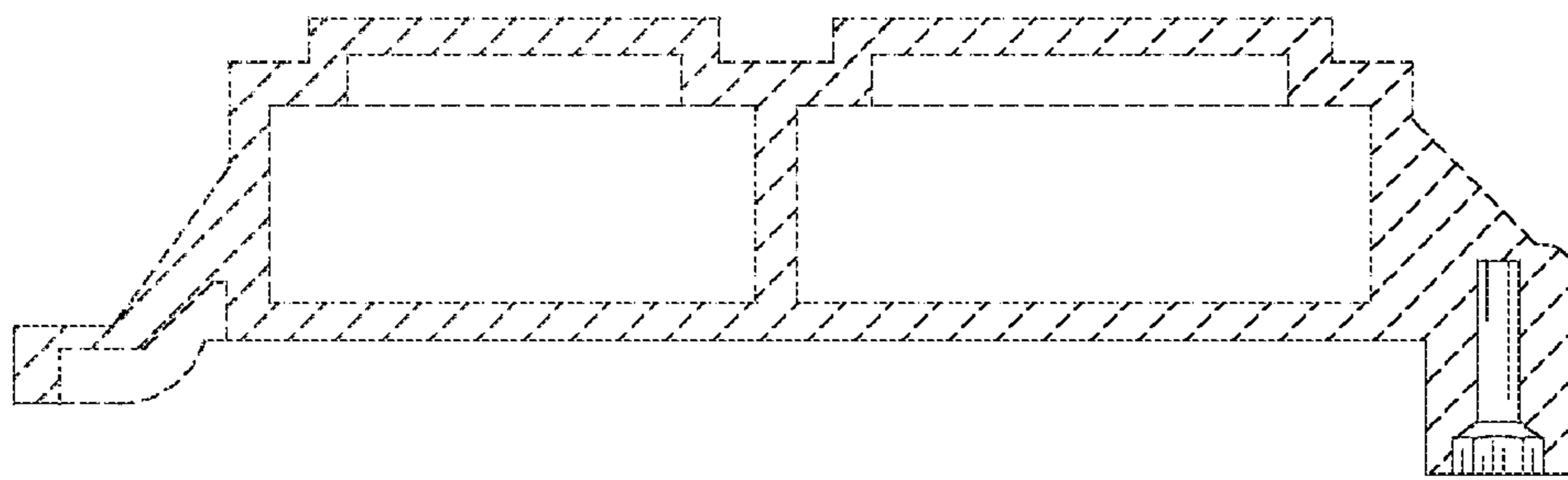


FIG. 7

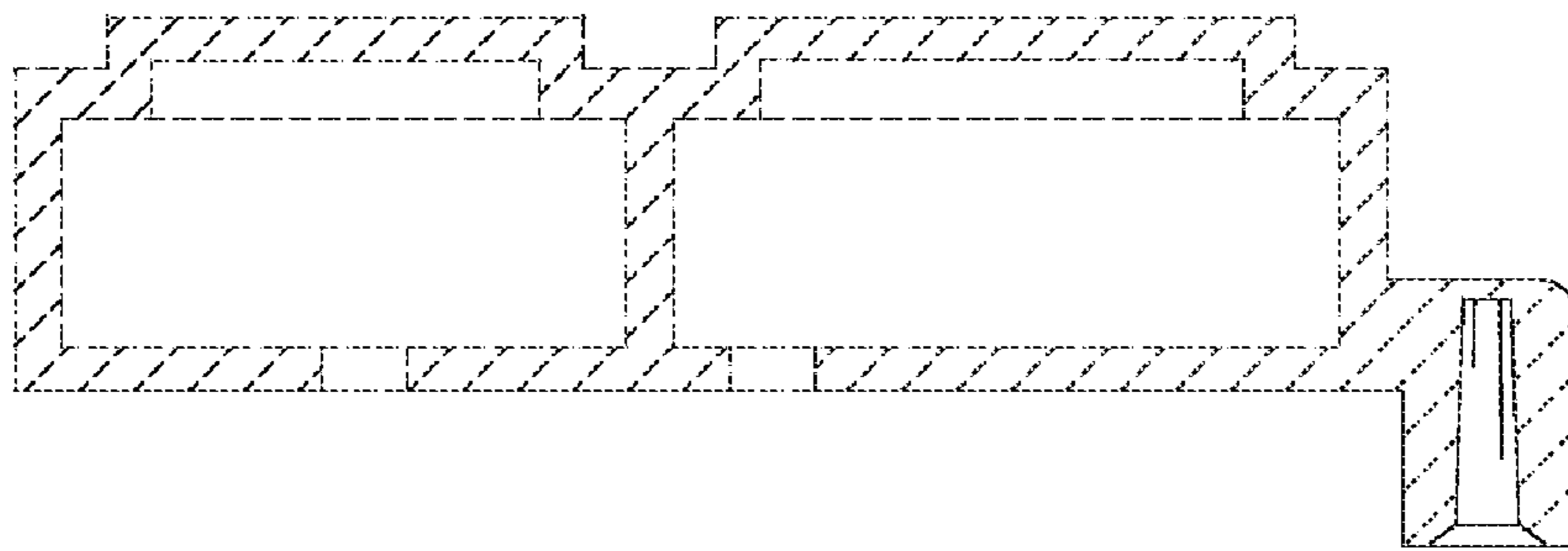


FIG. 8

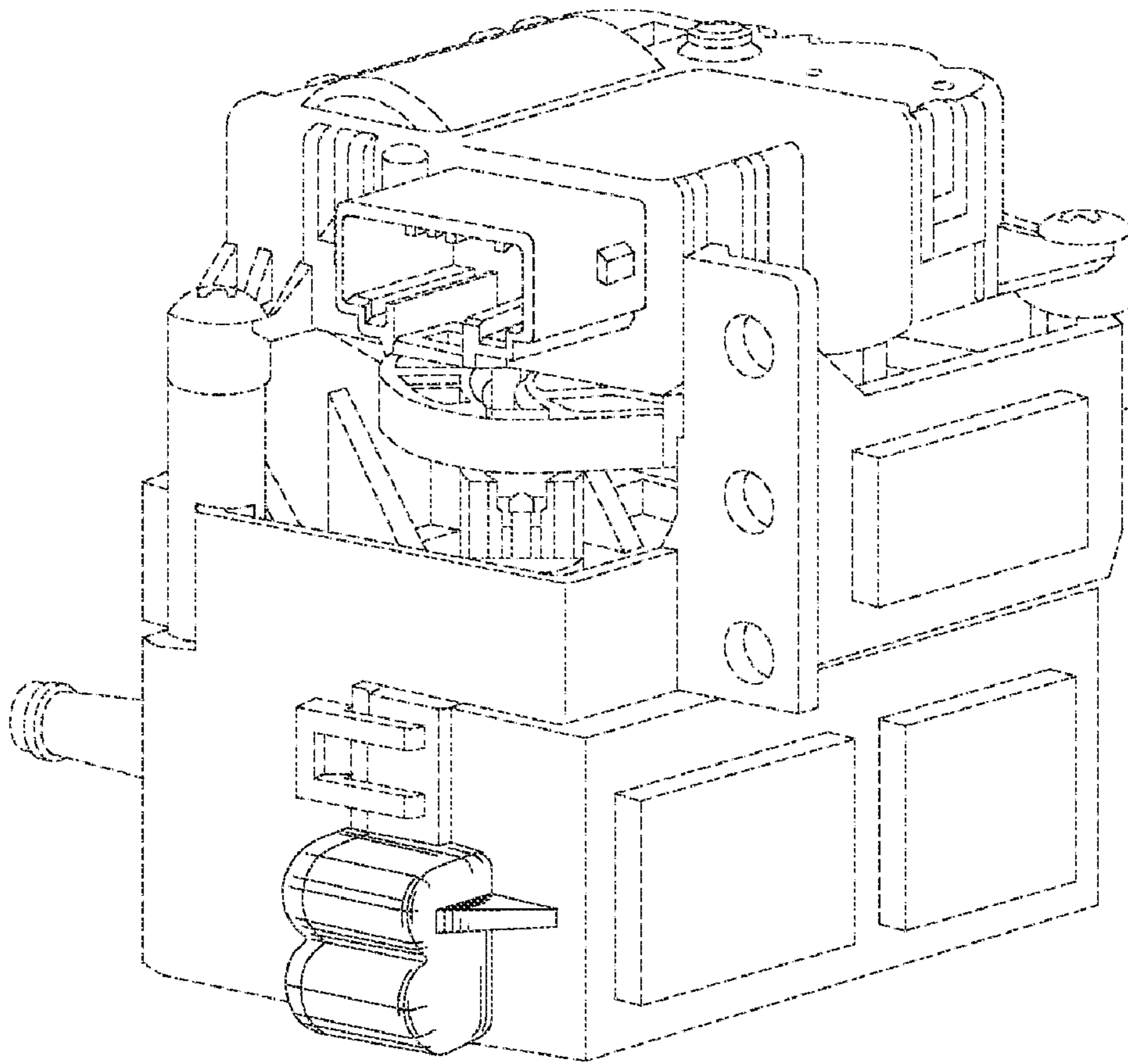


FIG. 9

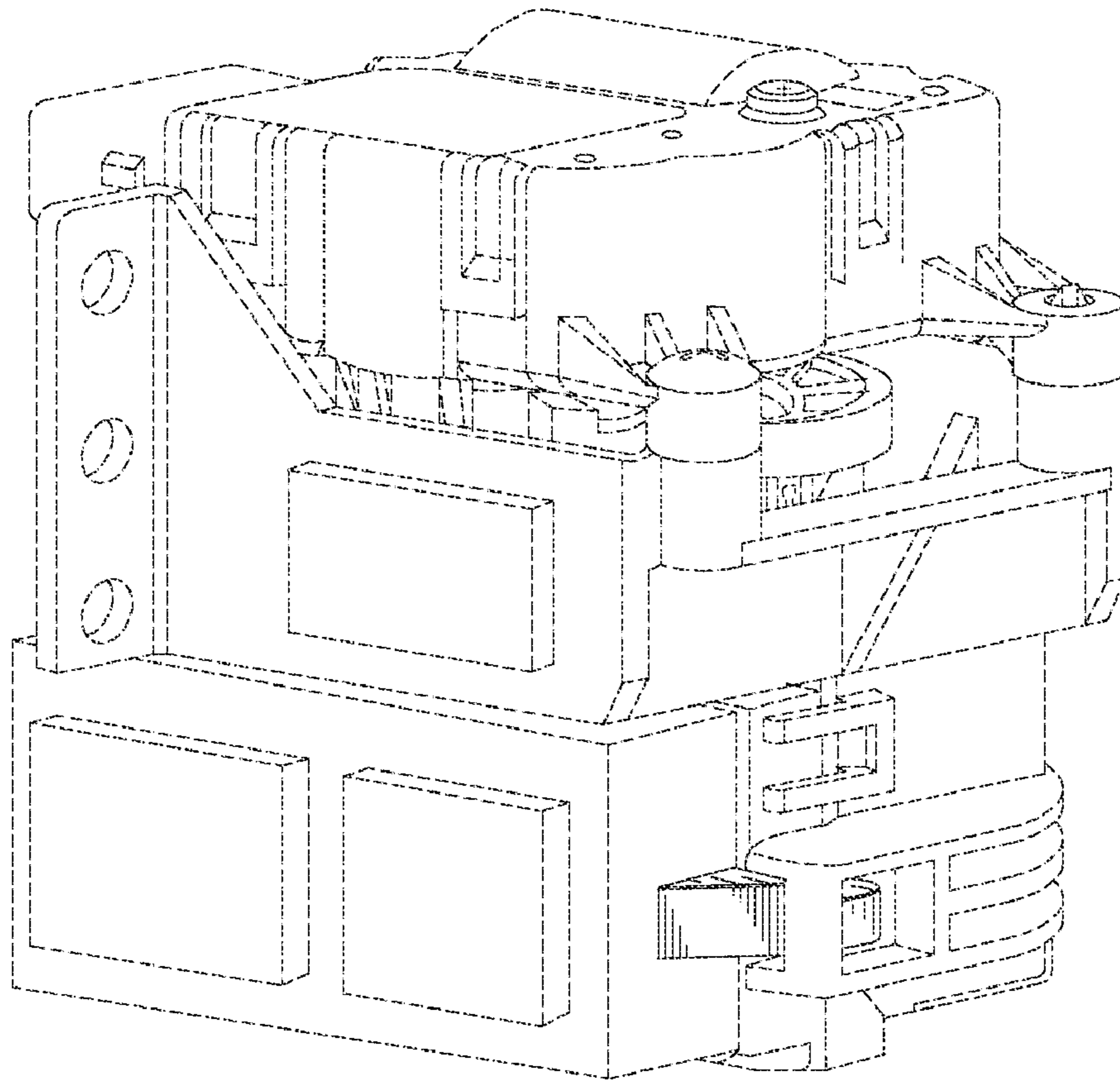


FIG. 10