

US00D634827S

(12) **United States Design Patent**  
**Tanus**

(10) **Patent No.:** **US D634,827 S**  
(45) **Date of Patent:** **\*\* Mar. 22, 2011**

(54) **VANITY TOP**

(75) Inventor: **Abraham Tanus**, Weslaco, TX (US)

(73) Assignee: **WoodCrafters Home Products, LLC**,  
Weslaco, TX (US)

(\*\*) Term: **14 Years**

(21) Appl. No.: **29/357,712**

(22) Filed: **Mar. 16, 2010**

**Related U.S. Application Data**

(63) Continuation of application No. 29/337,931, filed on  
Jun. 2, 2009, now Pat. No. Des. 612,025.

(51) **LOC (9) Cl.** ..... **23-02**

(52) **U.S. Cl.** ..... **D23/308**

(58) **Field of Classification Search** ..... D23/284–287,  
D23/290–293.1, 308; 4/619, 637, 639–640,  
4/642

See application file for complete search history.

(56) **References Cited**

**U.S. PATENT DOCUMENTS**

D387,857 S \* 12/1997 McKeone ..... D23/284  
D507,044 S \* 7/2005 Sutopo ..... D23/293.1  
D538,905 S \* 3/2007 Wano ..... D23/293.1  
D585,116 S \* 1/2009 Thalmann Gomez et  
al. .... D23/284  
D588,682 S \* 3/2009 Maruhashi ..... D23/293.1

\* cited by examiner

*Primary Examiner* — Robert A Delehanty

(74) *Attorney, Agent, or Firm* — McGuire Woods LLP

(57) **CLAIM**

I claim the ornamental design for a vanity top, as shown and  
described.

**DESCRIPTION**

FIG. 1 is a right front side perspective view of the vanity top;  
and

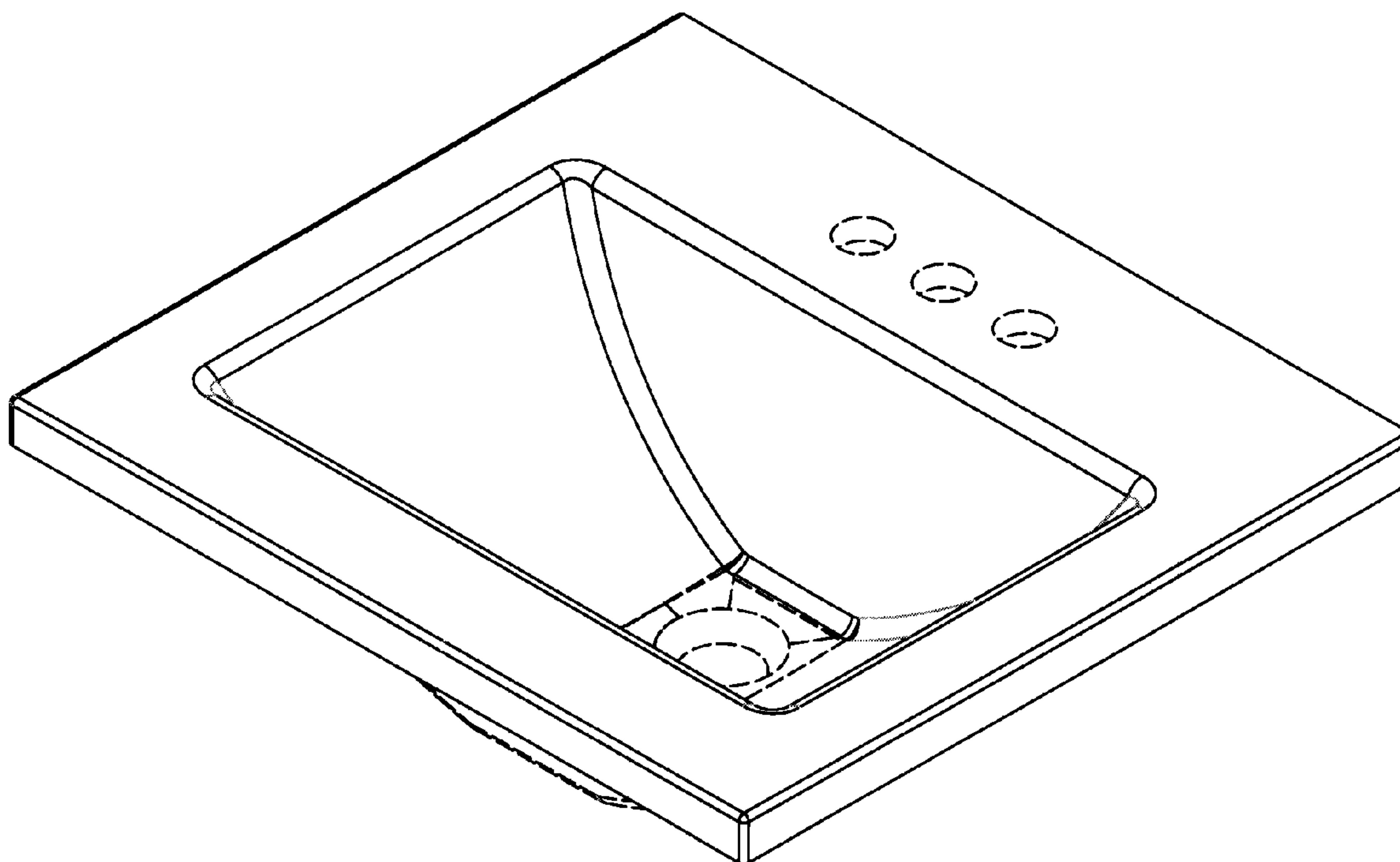
FIG. 2 is a top side view of the design embodiment shown in  
FIG. 1;

FIG. 3 is a front side view of the vanity top; and,

FIG. 4 is a side view of the vanity top.

The subject matter shown in dashed lines, and any surfaces of  
the design not shown, including interior surfaces, form no  
part of the claimed invention.

**1 Claim, 4 Drawing Sheets**



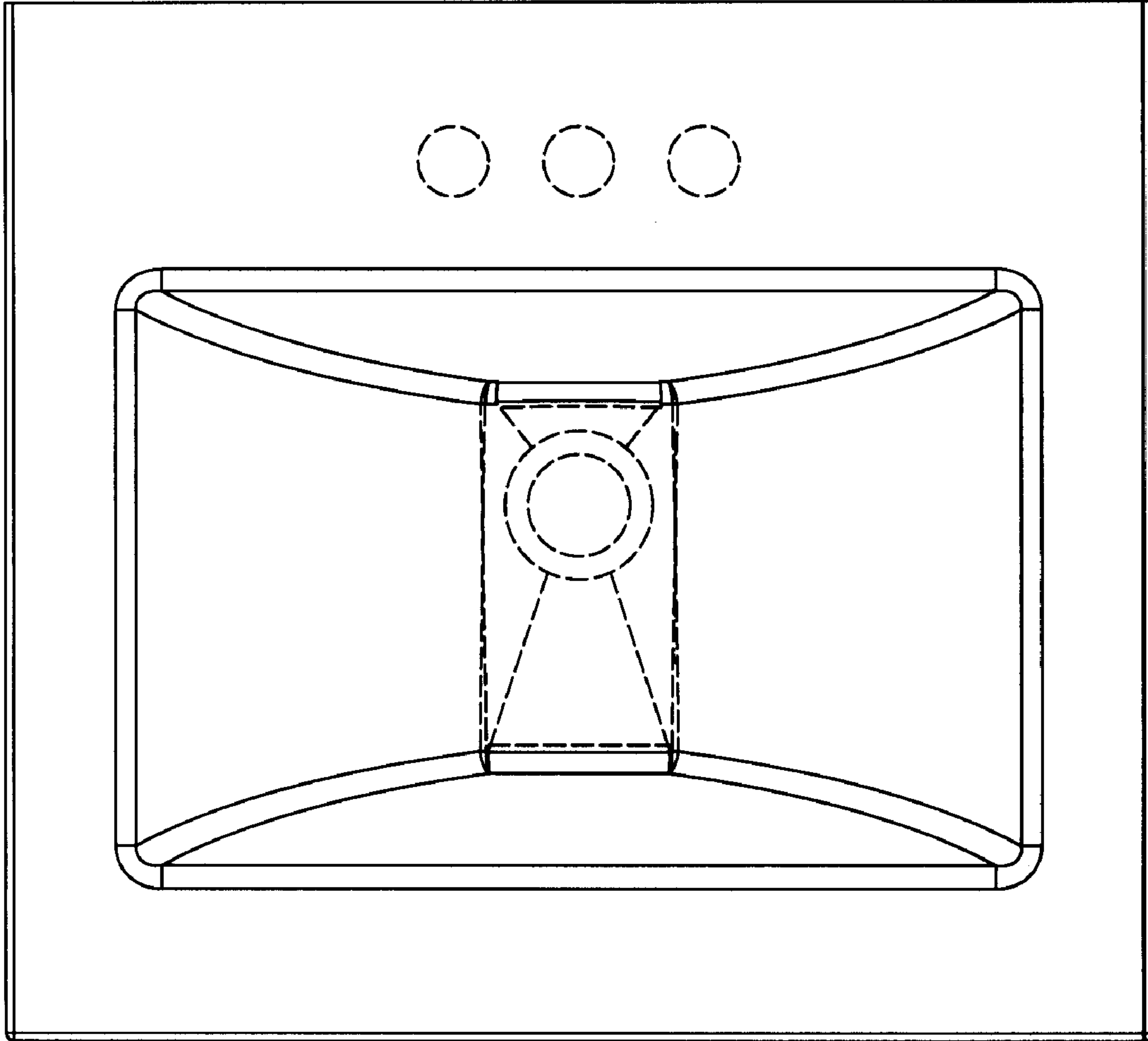


FIGURE 1

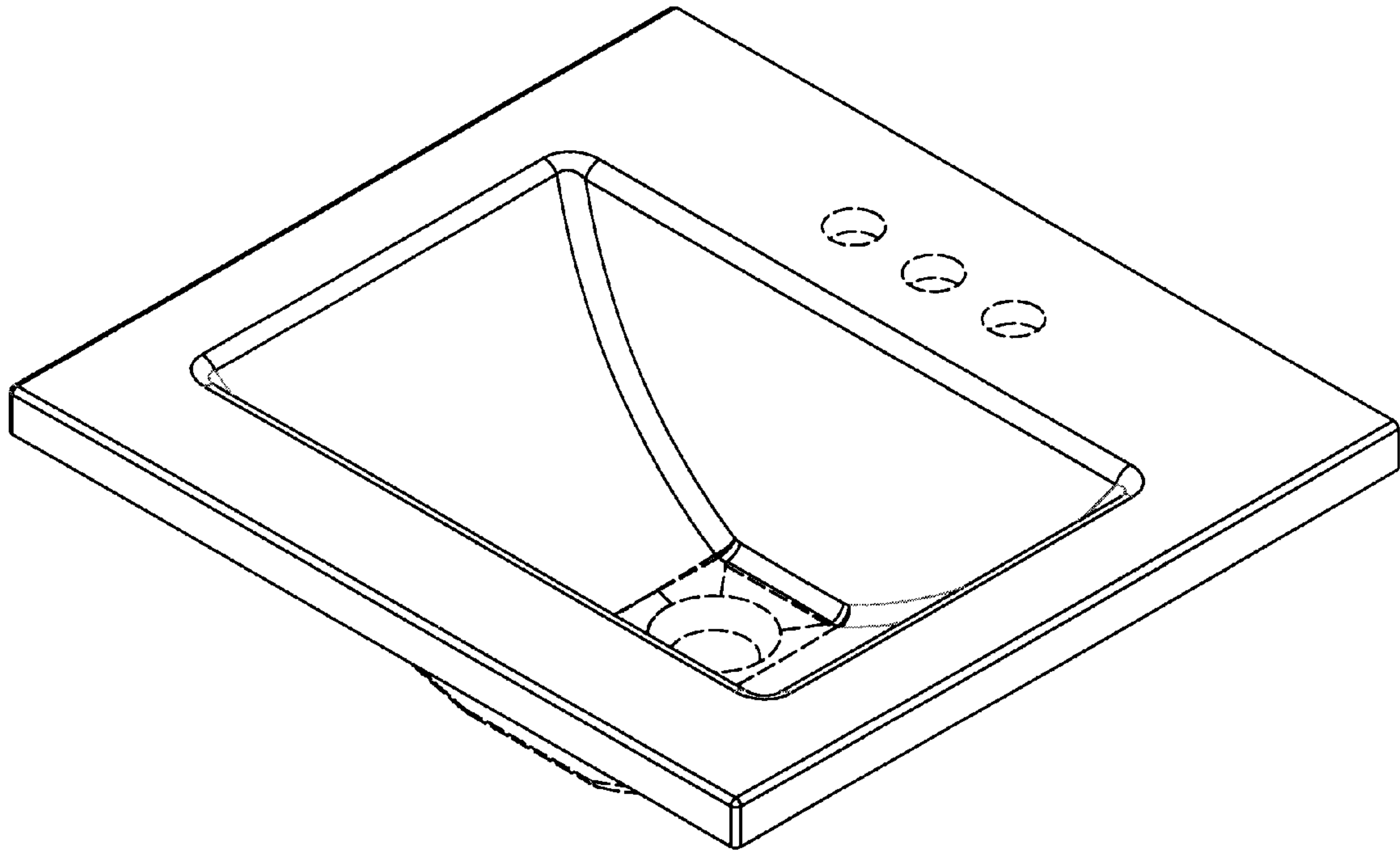


FIGURE 2

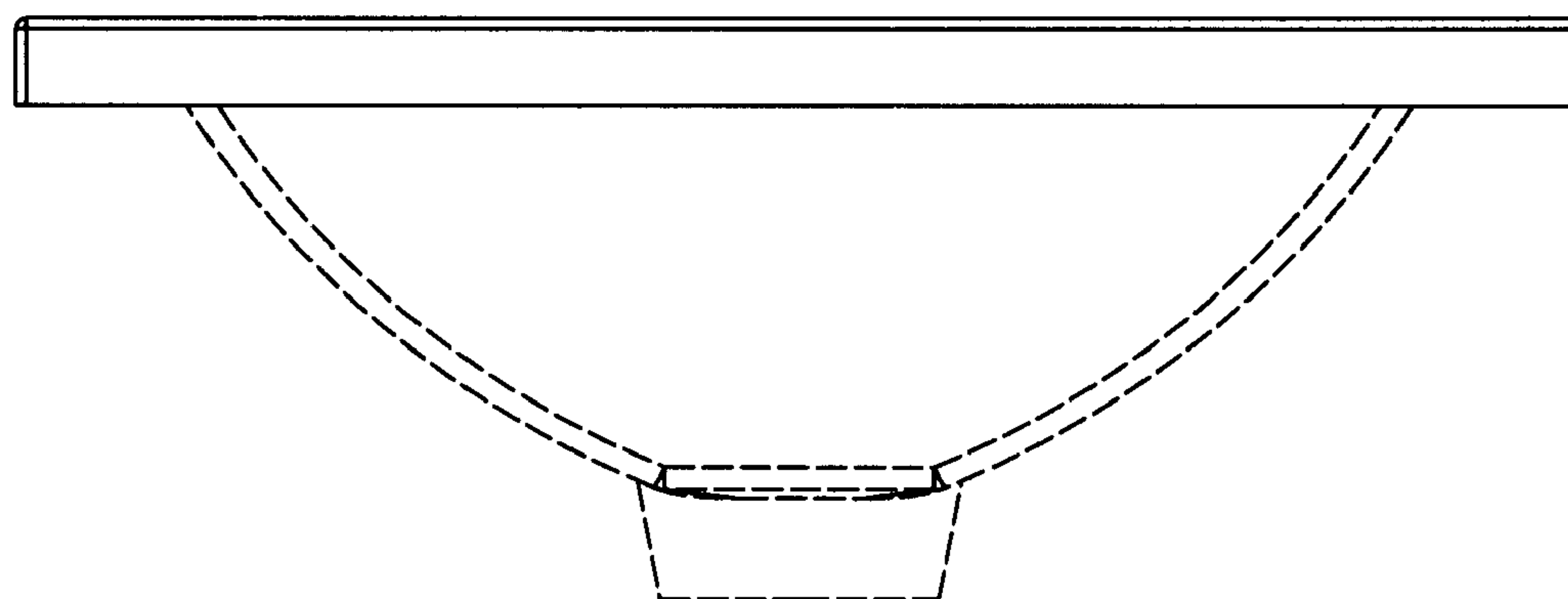


FIGURE 3

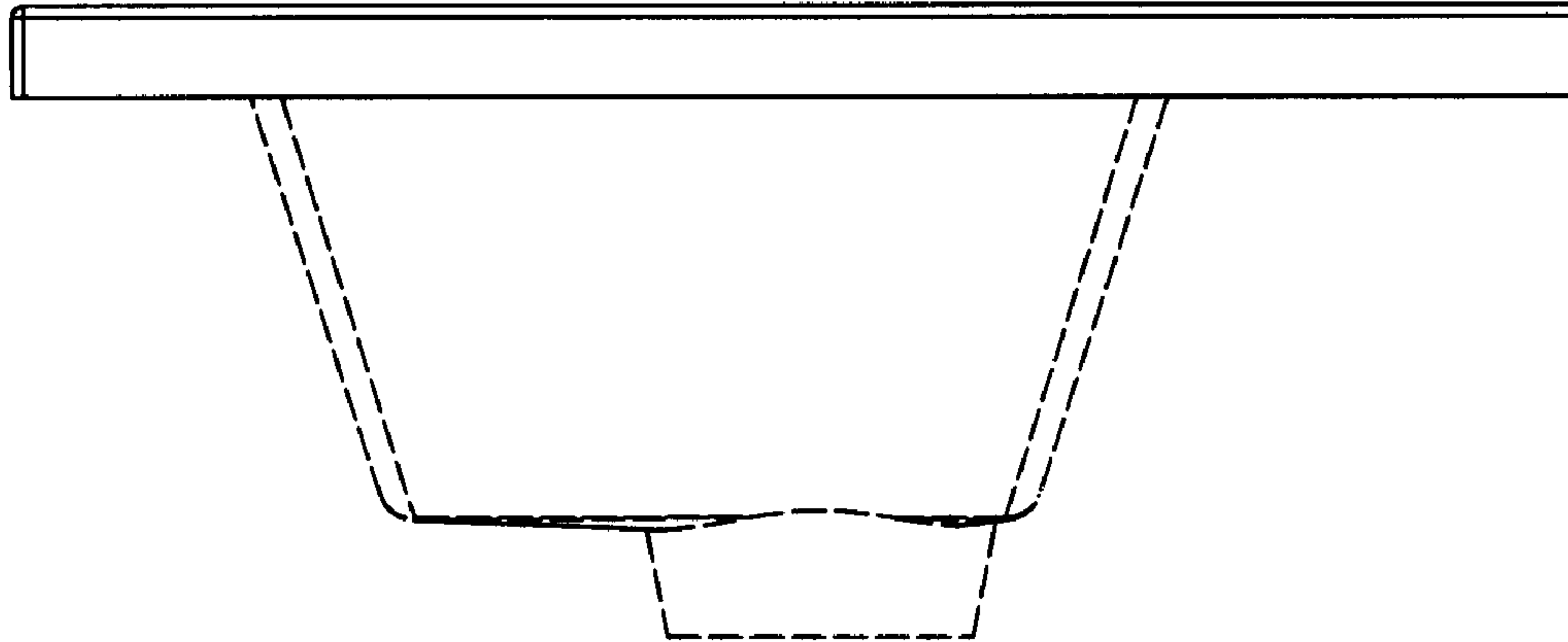


FIGURE 4