



US00D634825S

(12) **United States Design Patent**  
**Thomas**

(10) **Patent No.:** **US D634,825 S**  
(45) **Date of Patent:** **\*\* Mar. 22, 2011**

(54) **PEDESTAL SINK**

**DESCRIPTION**

(75) Inventor: **Carter J. Thomas**, Branchburg, NJ (US)

(73) Assignee: **AS IP Holdco, L.L.C.**, Piscataway, NJ (US)

(\*\*) Term: **14 Years**

(21) Appl. No.: **29/358,666**

(22) Filed: **Mar. 30, 2010**

(51) **LOC (9) Cl.** ..... **23-02**

(52) **U.S. Cl.** ..... **D23/284**

(58) **Field of Classification Search** ..... D23/284,  
D23/292, 308, 293.1; 4/619, 646

See application file for complete search history.

(56) **References Cited**

U.S. PATENT DOCUMENTS

D428,476 S *	7/2000	Abolafia	.....	D23/284
D455,200 S *	4/2002	Marshall	.....	D23/284
D495,792 S *	9/2004	Sutopo	.....	D23/293.1
D499,470 S *	12/2004	Garza	.....	D23/292
D556,304 S *	11/2007	Soulier	.....	D23/308

\* cited by examiner

*Primary Examiner* — Robert A Delehanty

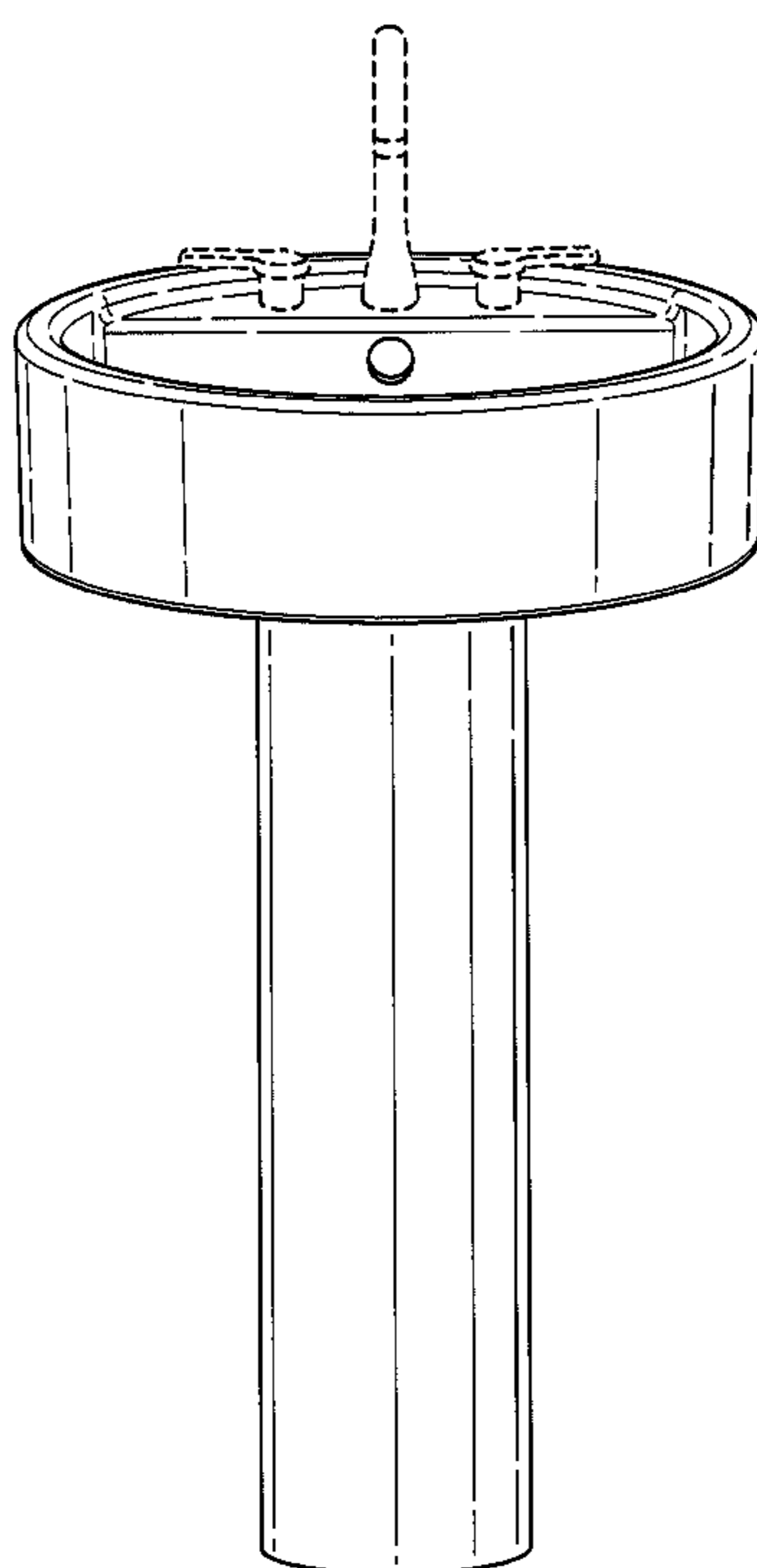
(74) *Attorney, Agent, or Firm* — Flaster/Greenberg, P.C.

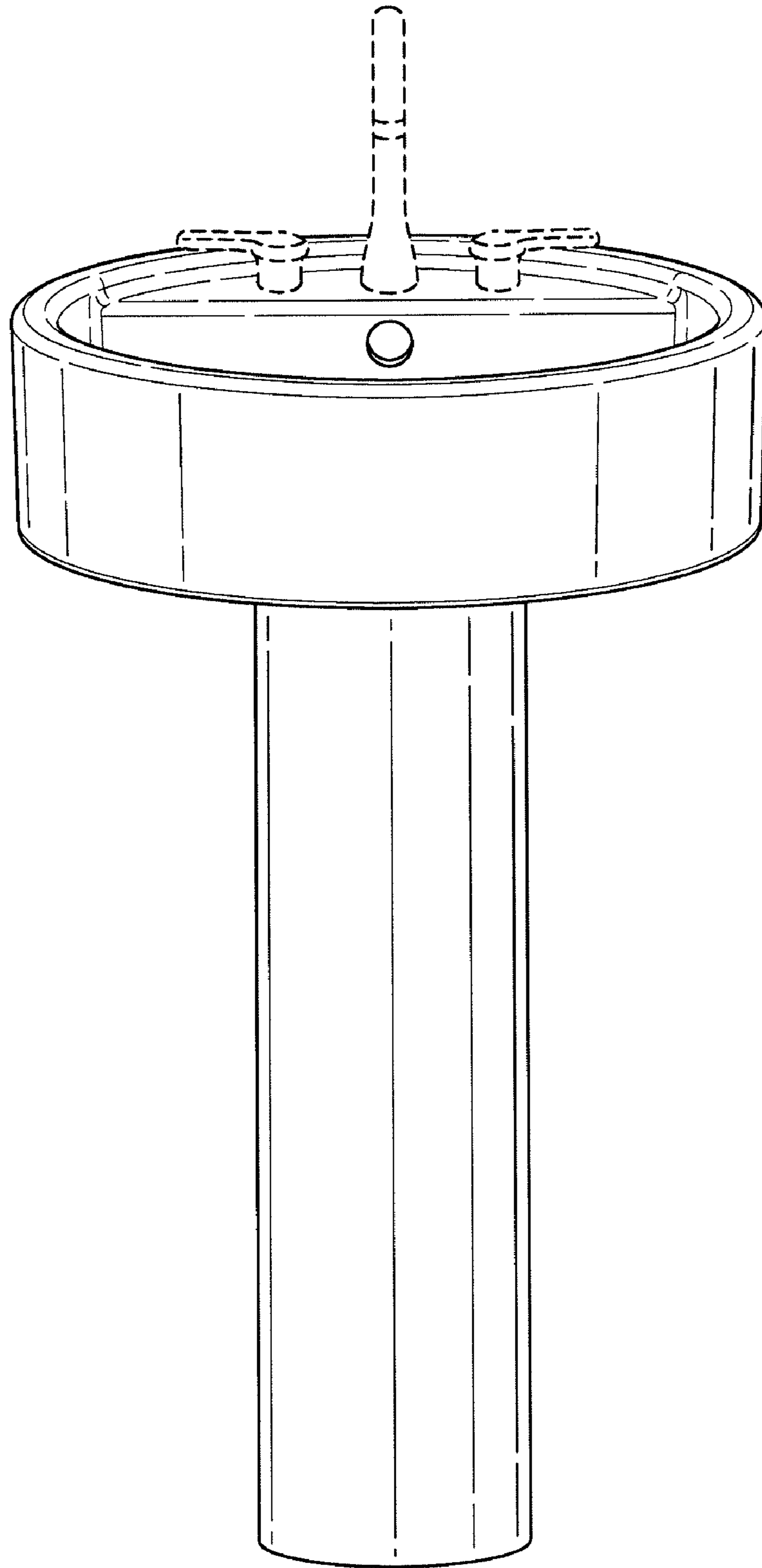
(57) **CLAIM**

The ornamental design for a pedestal sink, as shown and described.

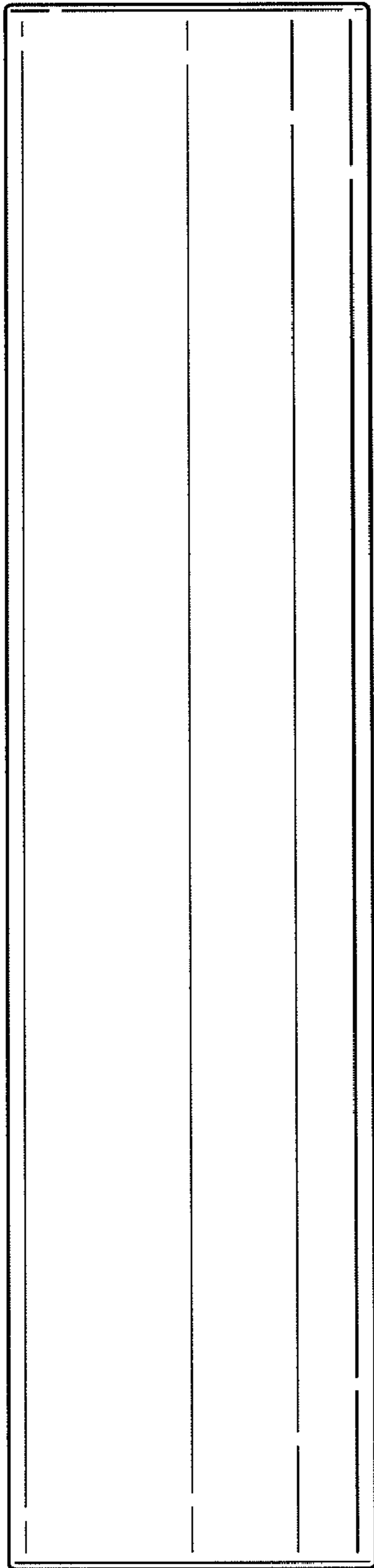
FIG. 1 is a front view of a pedestal sink;  
 FIG. 2 is a front view of a detail of the pedestal in the pedestal sink of FIG. 1;  
 FIG. 3 is a right side view of a detail of the pedestal in the pedestal sink of FIG. 1;  
 FIG. 4 is a left side view of a detail of the pedestal in the pedestal sink of FIG. 1;  
 FIG. 5 is a rear view of a detail of the pedestal in the pedestal sink of FIG. 1;  
 FIG. 6 is a bottom view of a detail of the pedestal in the pedestal sink of FIG. 1;  
 FIG. 7 is a top view of a detail of the pedestal in the pedestal sink of FIG. 1;  
 FIG. 8 is a perspective view of a detail of the pedestal in the pedestal sink of FIG. 1;  
 FIG. 9 is a front view of a detail of the basin portion of the pedestal sink of FIG. 1;  
 FIG. 10 is a right side view of a detail of the basin portion of the pedestal sink of FIG. 1;  
 FIG. 11 is a left side view of a detail of the basin portion of the pedestal sink of FIG. 1;  
 FIG. 12 is a back view of a detail of the basin portion of the pedestal sink of FIG. 1;  
 FIG. 13 is a bottom view of a detail of the basin portion of the pedestal sink of FIG. 1;  
 FIG. 14 is a top view of a detail of the basin portion of the pedestal sink of FIG. 1; and,  
 FIG. 15 is a perspective view of a detail of the basin portion of the pedestal sink of FIG. 1.  
 The broken lines showing the rear, side and bottom of the sink and pedestal are included for the purpose of illustrating a portion of the sink that forms no part of the claimed design.

**1 Claim, 6 Drawing Sheets**

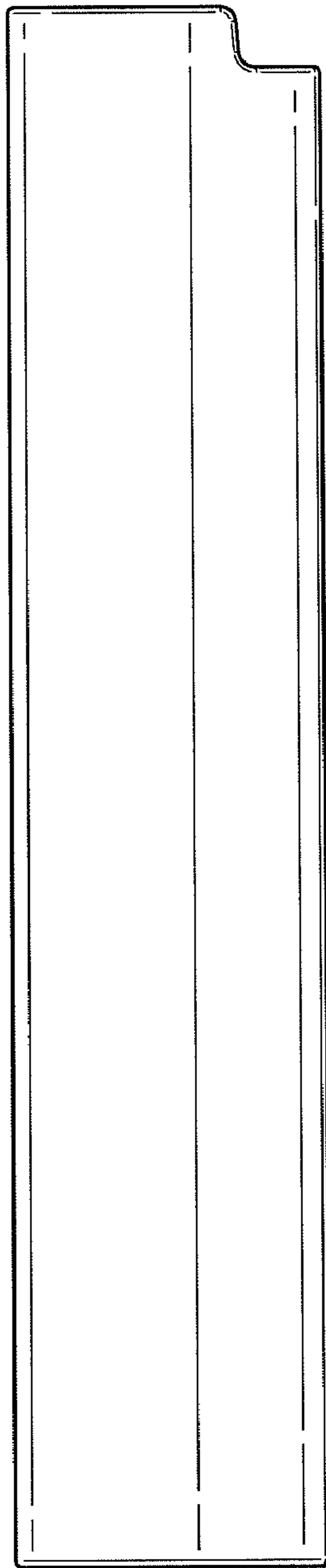




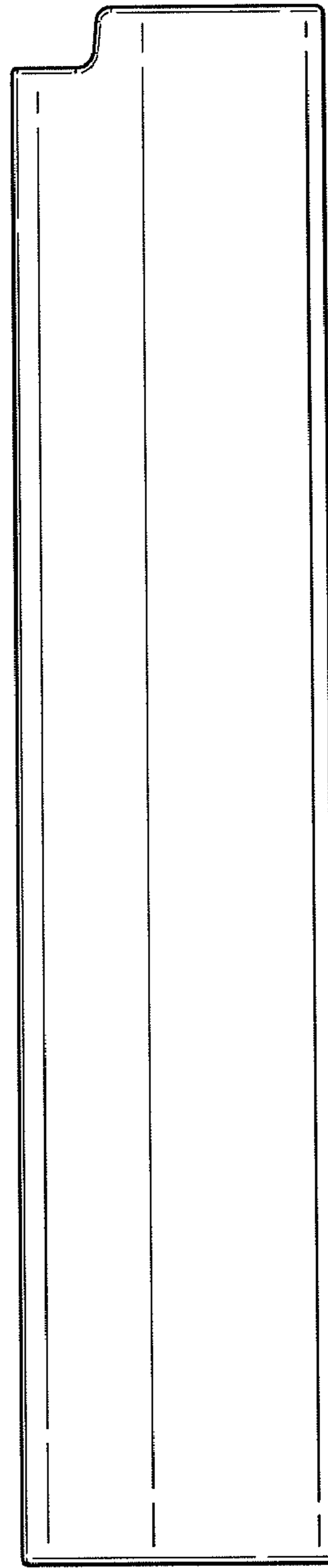
*FIG. 1*



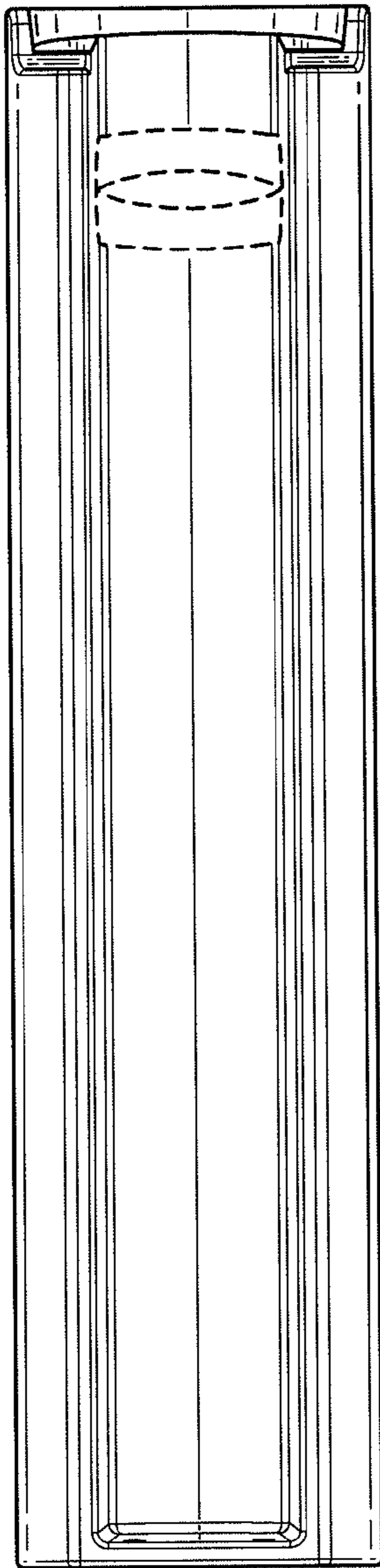
*FIG. 2*



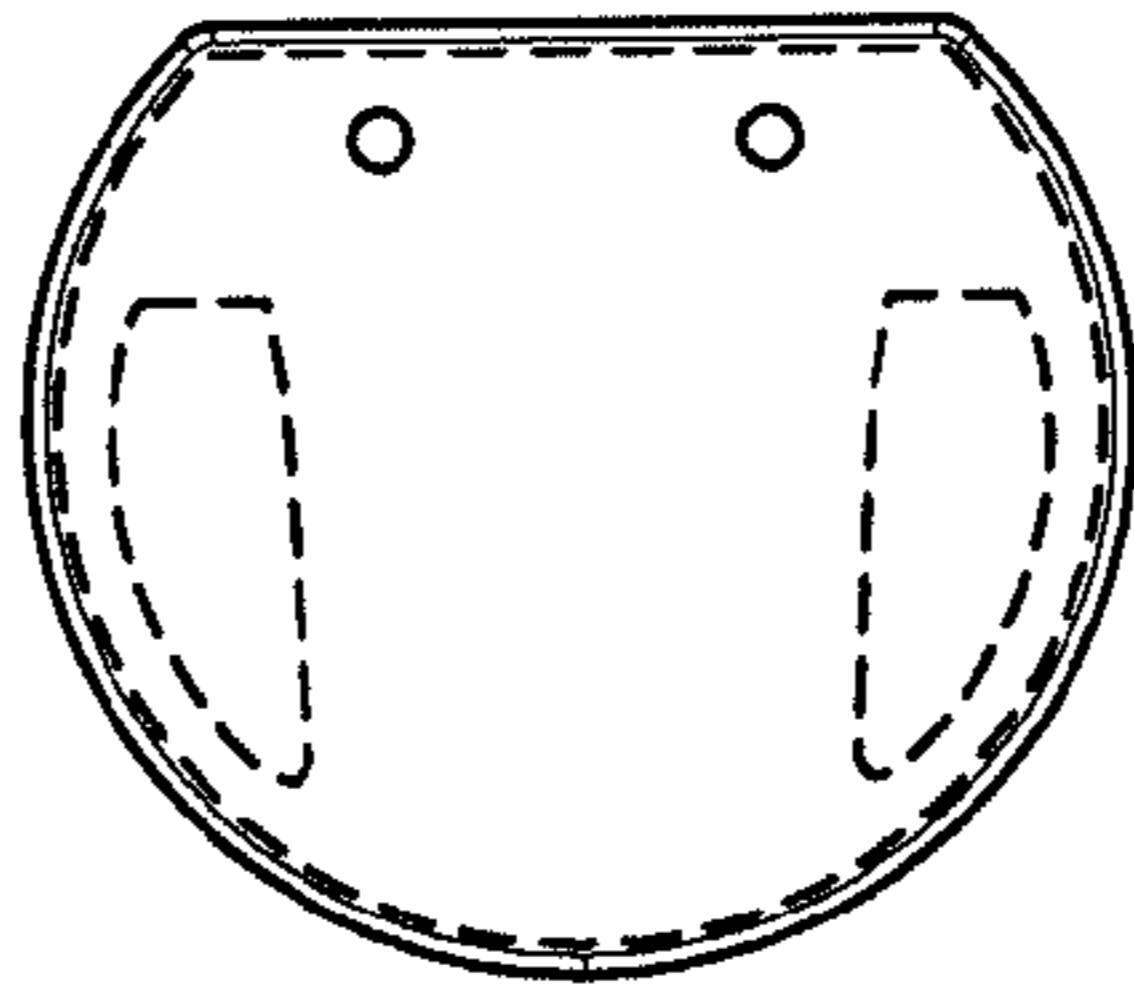
*FIG. 3*



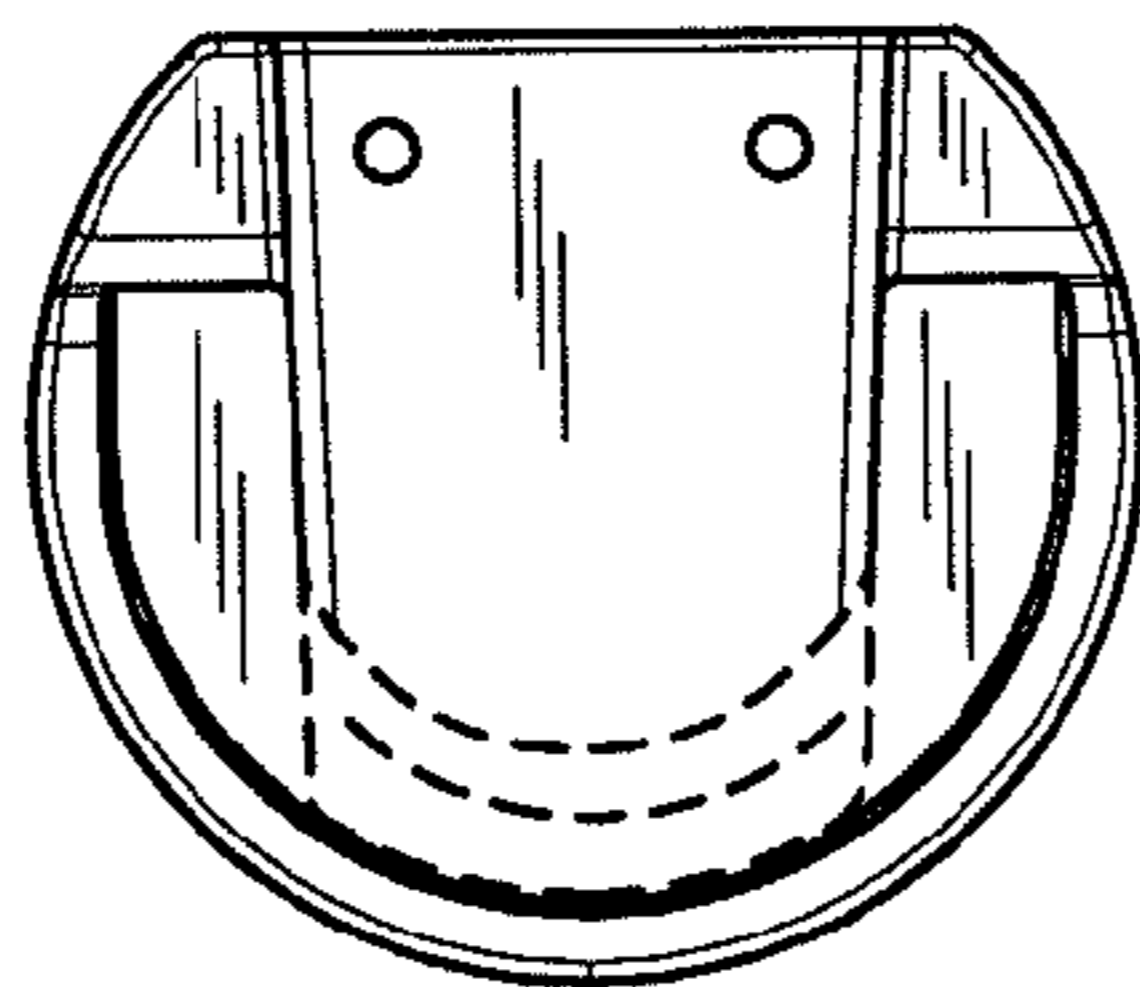
*FIG. 4*



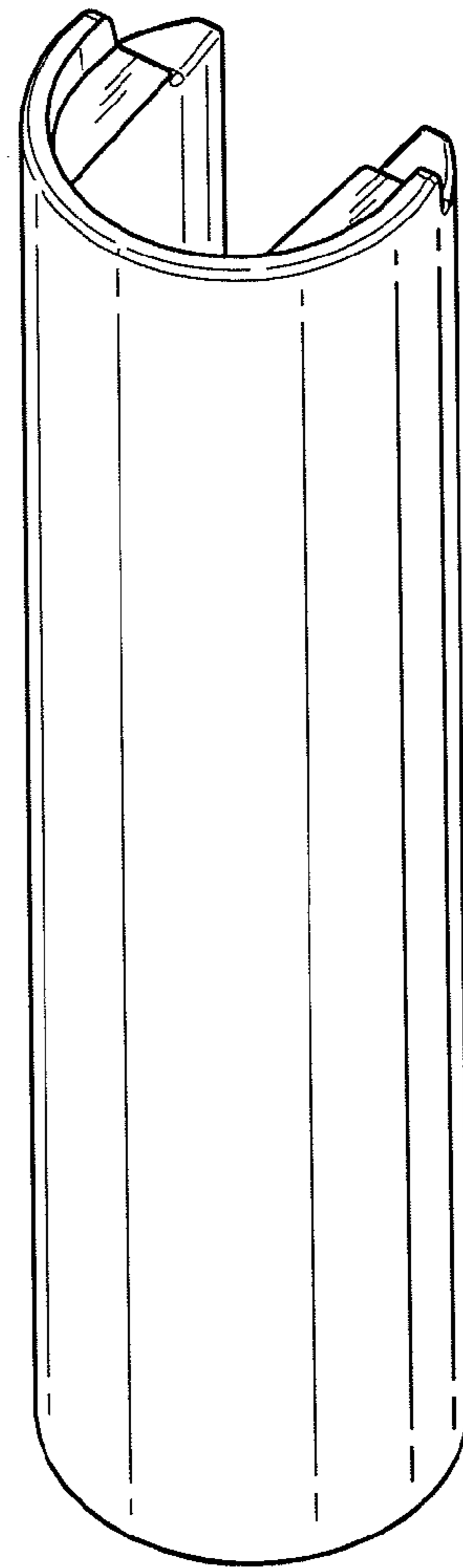
*FIG. 5*



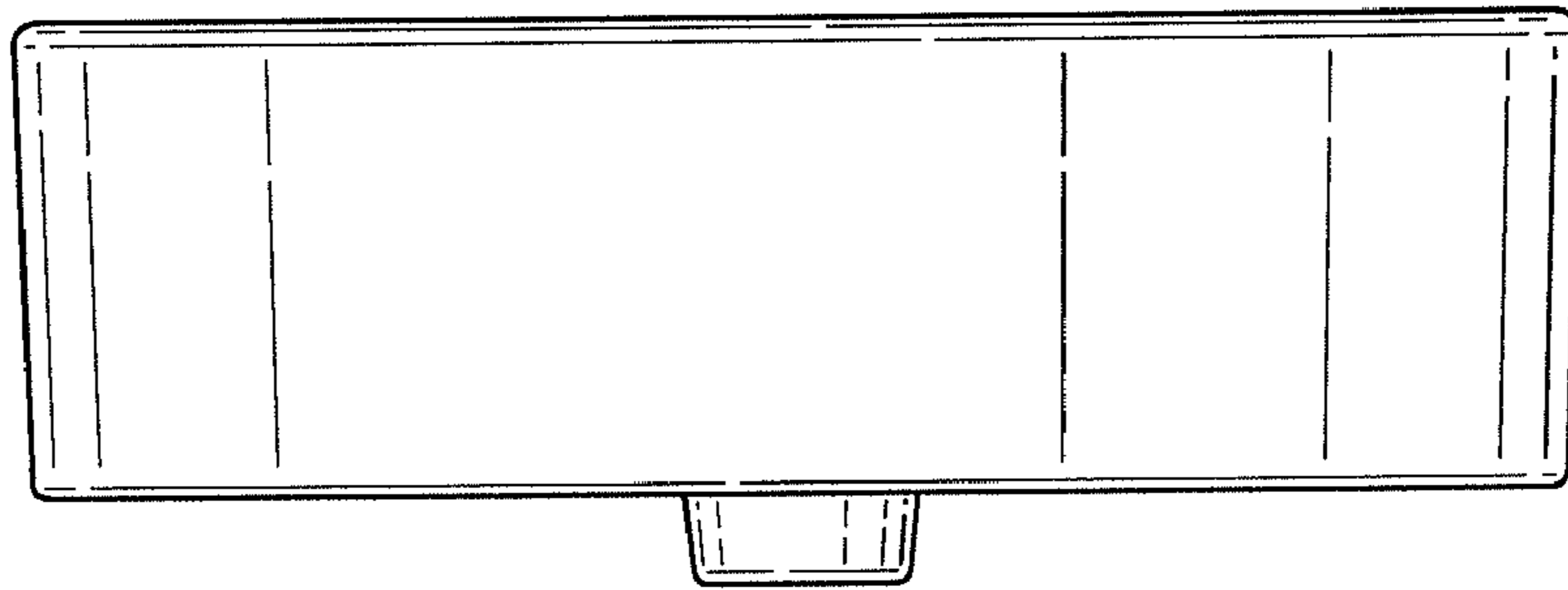
*FIG. 6*



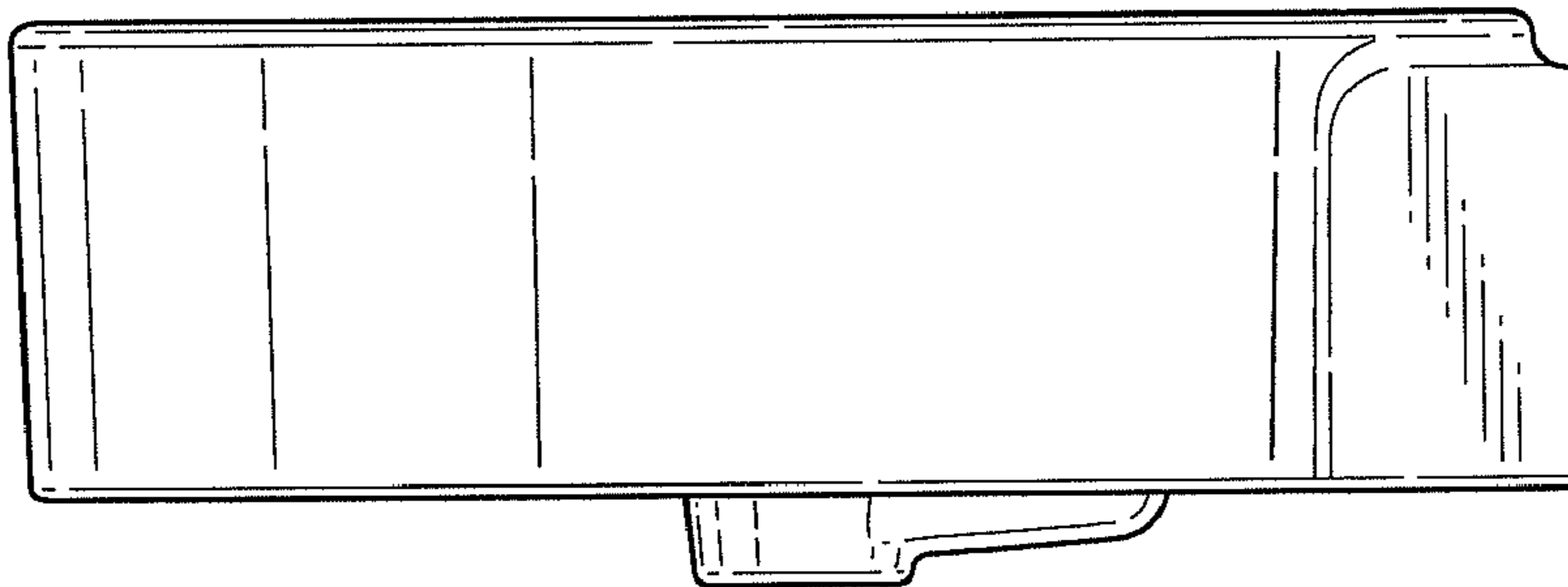
*FIG. 7*



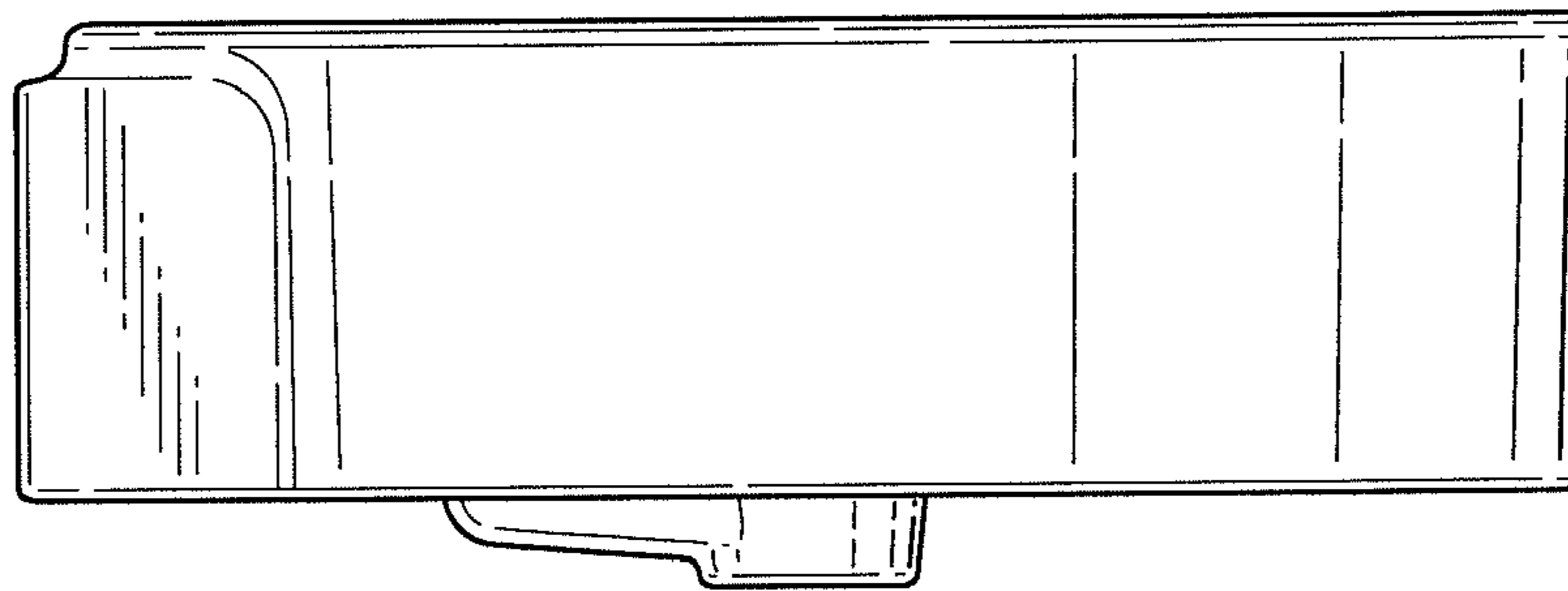
*FIG. 8*



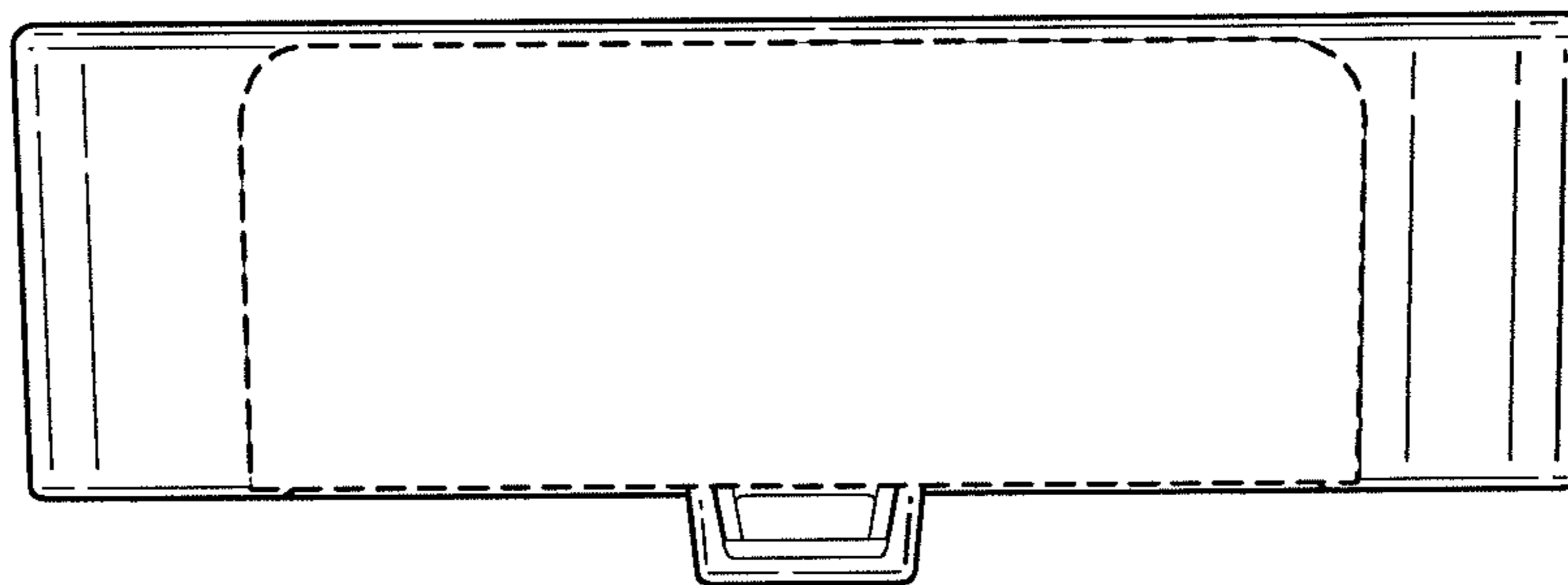
*FIG. 9*



*FIG. 10*

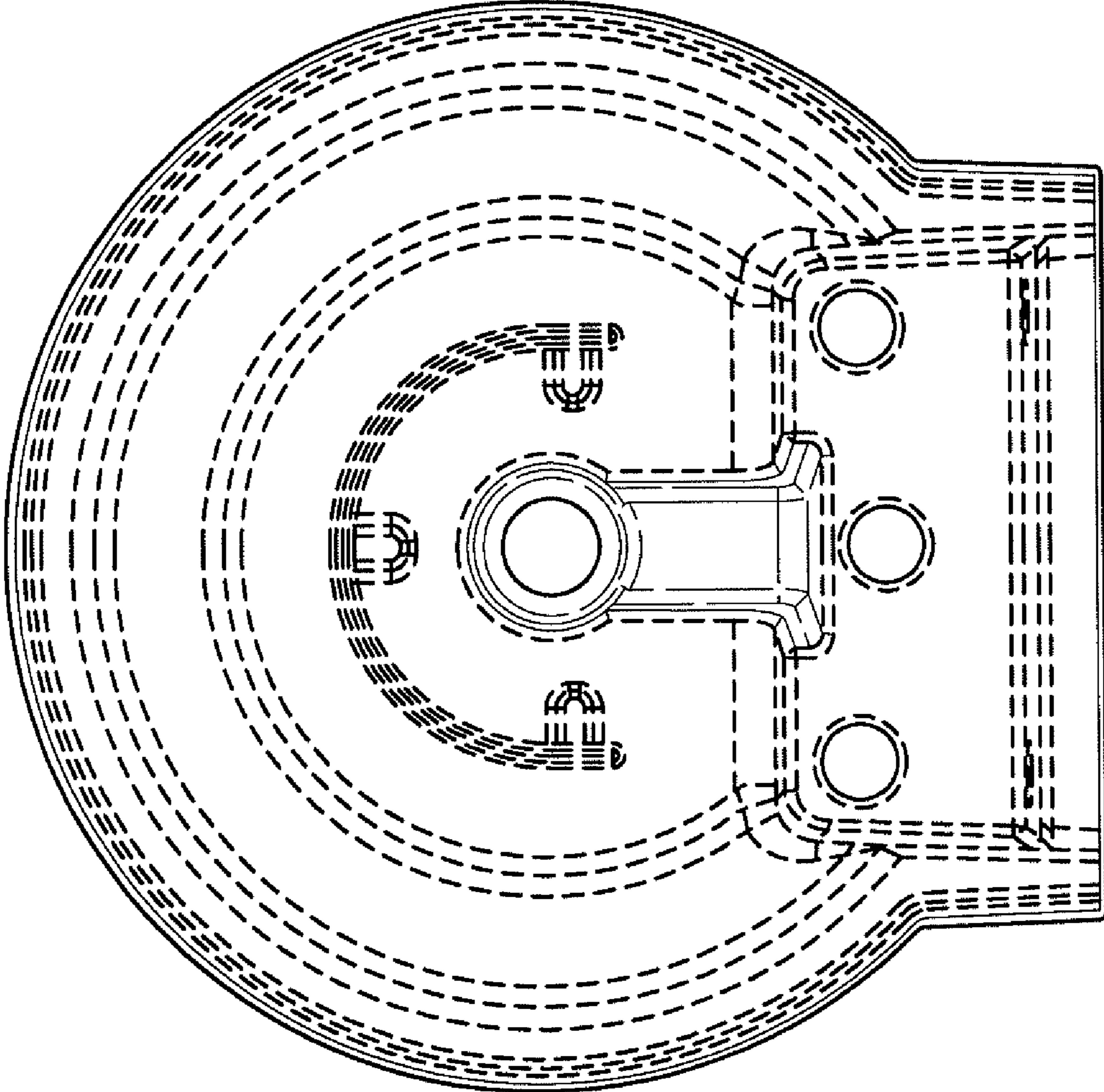


*FIG. 11*

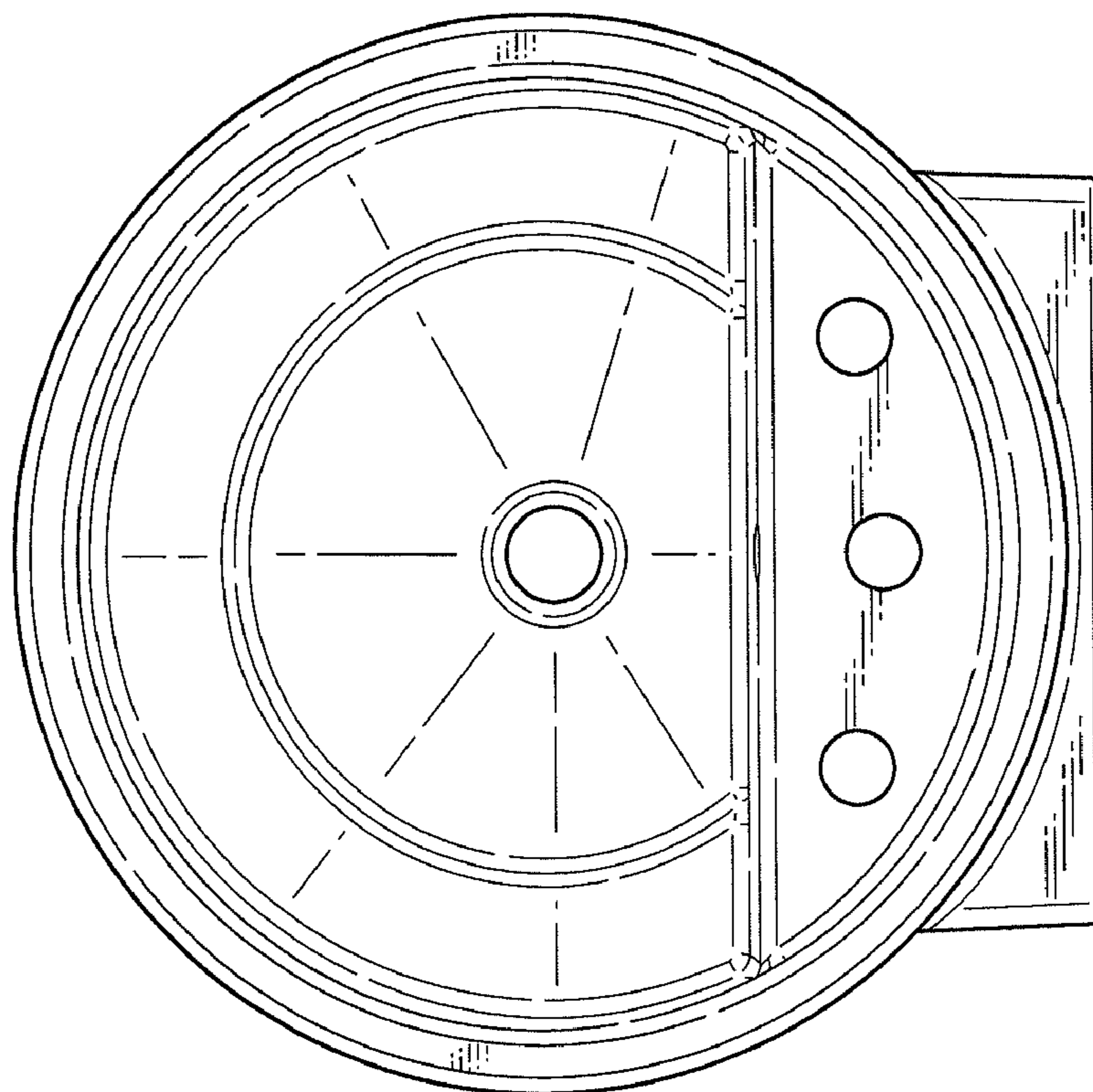


*FIG. 12*

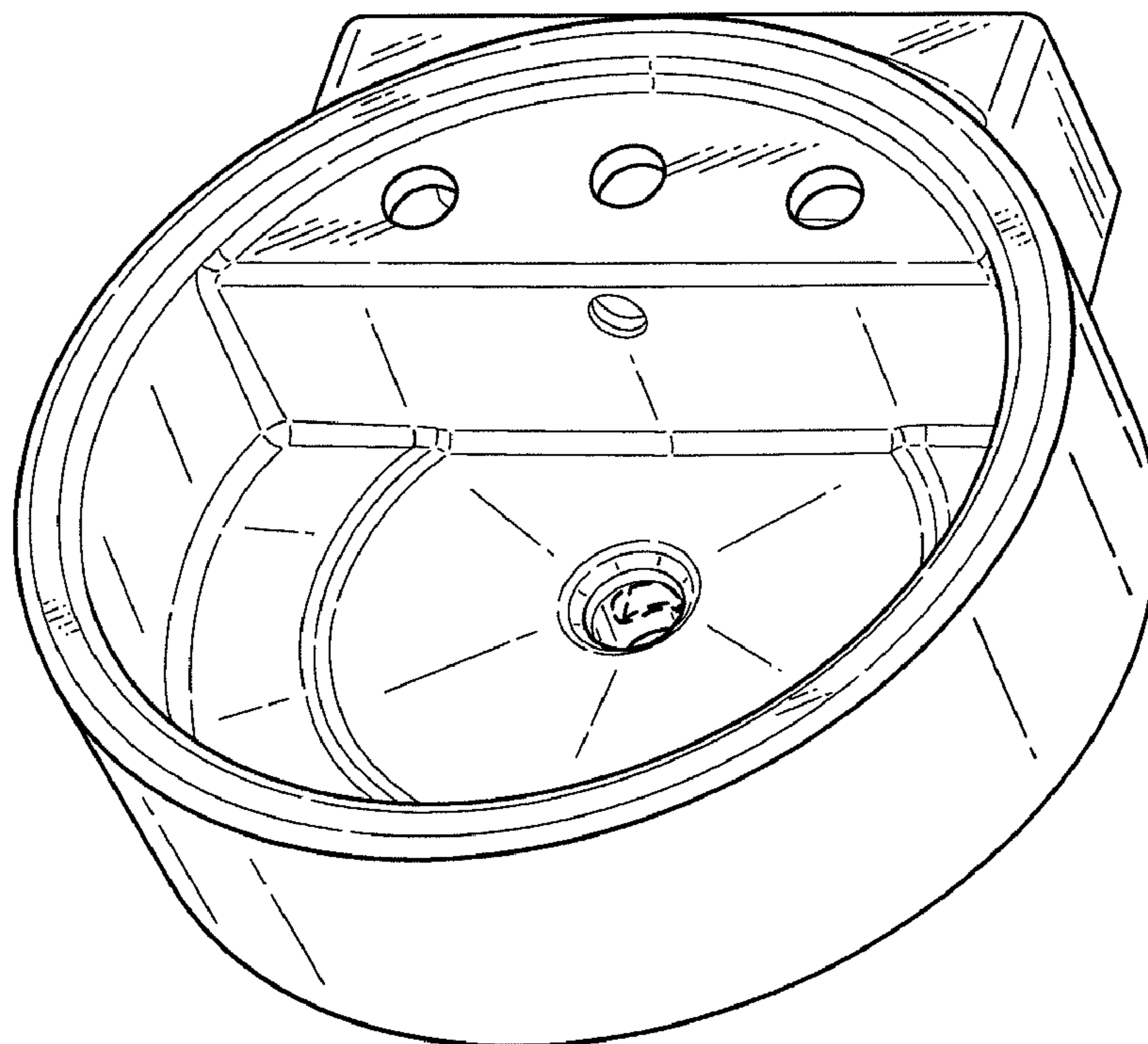




*FIG. 13*



**FIG. 14**



**FIG. 15**