



US00D634824S

(12) **United States Design Patent**
Dosne

(10) **Patent No.:** **US D634,824 S**
(45) **Date of Patent:** **** Mar. 22, 2011**

(54) **LAVATORY**

(75) Inventor: **Baptiste Dosne**, Paris (FR)

(73) Assignee: **Kohler France SAS**, Paris (FR)

(**) Term: **14 Years**

(21) Appl. No.: **29/358,471**

(22) Filed: **Mar. 26, 2010**

(30) **Foreign Application Priority Data**

Sep. 28, 2009 (EP) 001167365

(51) **LOC (9) Cl.** **23-02**

(52) **U.S. Cl.** **D23/284**

(58) **Field of Classification Search** D23/284,
D23/287, 293.1, 308; 4/619

See application file for complete search history.

(56) **References Cited**

U.S. PATENT DOCUMENTS

D212,418 S * 10/1968 Doman D23/284
D232,093 S * 7/1974 Schrock D23/284
D296,003 S 5/1988 Garza

(Continued)

OTHER PUBLICATIONS

Kohler. Fit Vessels Lavatory K-2531. Kohler.com online catalog.
American Standard. Penlyn Wall-Mount Sink. Homeportfolio.com
online catalog. Copyright 1997-2009 HomePortfolio Inc.

Primary Examiner — Robert A Delehanty

(74) *Attorney, Agent, or Firm* — Quarles & Brady LLP

(57) **CLAIM**

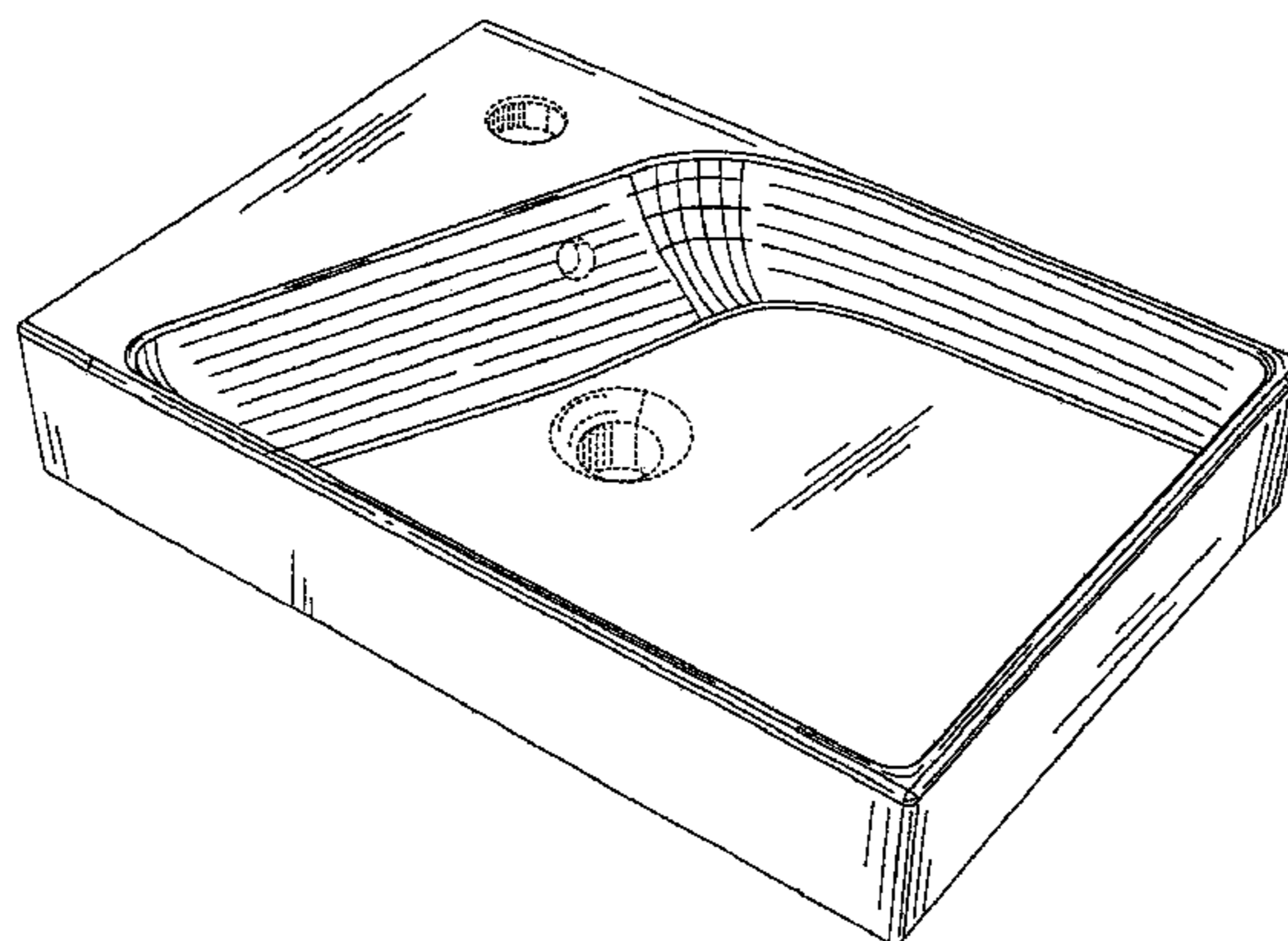
The ornamental design for a lavatory, as shown and described.

DESCRIPTION

FIG. 1 is a top, right, front perspective view of a lavatory
embodying my new design;

FIG. 2 is a front elevational view thereof;
FIG. 3 is a top plan view thereof;
FIG. 4 is a right side elevational view thereof, the left side
elevational view thereof is a mirror image of the right side
shown;
FIG. 5 is a rear elevational view thereof;
FIG. 6 is bottom plan view thereof;
FIG. 7 is a top, right, front perspective view of a lavatory
according to another embodiment of my new design;
FIG. 8 is a front elevational view thereof;
FIG. 9 is a top plan view thereof;
FIG. 10 is a left side elevational view thereof, the right side
elevational view thereof is a mirror image of the left side
shown;
FIG. 11 is a rear elevational view thereof;
FIG. 12 is bottom plan view thereof;
FIG. 13 is a top, right, front perspective view of a lavatory
according to another embodiment of my new design;
FIG. 14 is a front elevational view thereof;
FIG. 15 is a top plan view thereof;
FIG. 16 is a left side elevational view thereof, the right side
elevational view thereof is a mirror image of the left side
shown;
FIG. 17 is a rear elevational view thereof;
FIG. 18 is bottom plan view thereof;
FIG. 19 is a top, right, front perspective view of a lavatory
according to another embodiment of my new design;
FIG. 20 is a front elevational view thereof;
FIG. 21 is a top plan view thereof;
FIG. 22 is a left side elevational view thereof, the right side
elevational view thereof is a mirror image of the left side
shown;
FIG. 23 is a rear elevational view thereof; and,
FIG. 24 is bottom plan view thereof.
The broken line representations in the figures are for the
purpose of illustration only, and form no part of the claimed
design.
In a preferred embodiment, the nature of this product is as a
plumbing fixture in the form of a lavatory which is primarily
useful for washing various items and the body parts of
humans.

1 Claim, 24 Drawing Sheets



US D634,824 S

Page 2

U.S. PATENT DOCUMENTS

D321,753 S	*	11/1991	Bengtson et al.	D23/284	D507,334 S	*	7/2005	Ferrer Beltran	D23/293.1
D463,538 S	*	9/2002	Chipperfield	D23/284	D616,971 S	*	6/2010	Arets	D23/286
D507,043 S	*	7/2005	Ferrer Beltran	D23/293.1	D622,826 S	*	8/2010	Helmer	D23/293.1

* cited by examiner

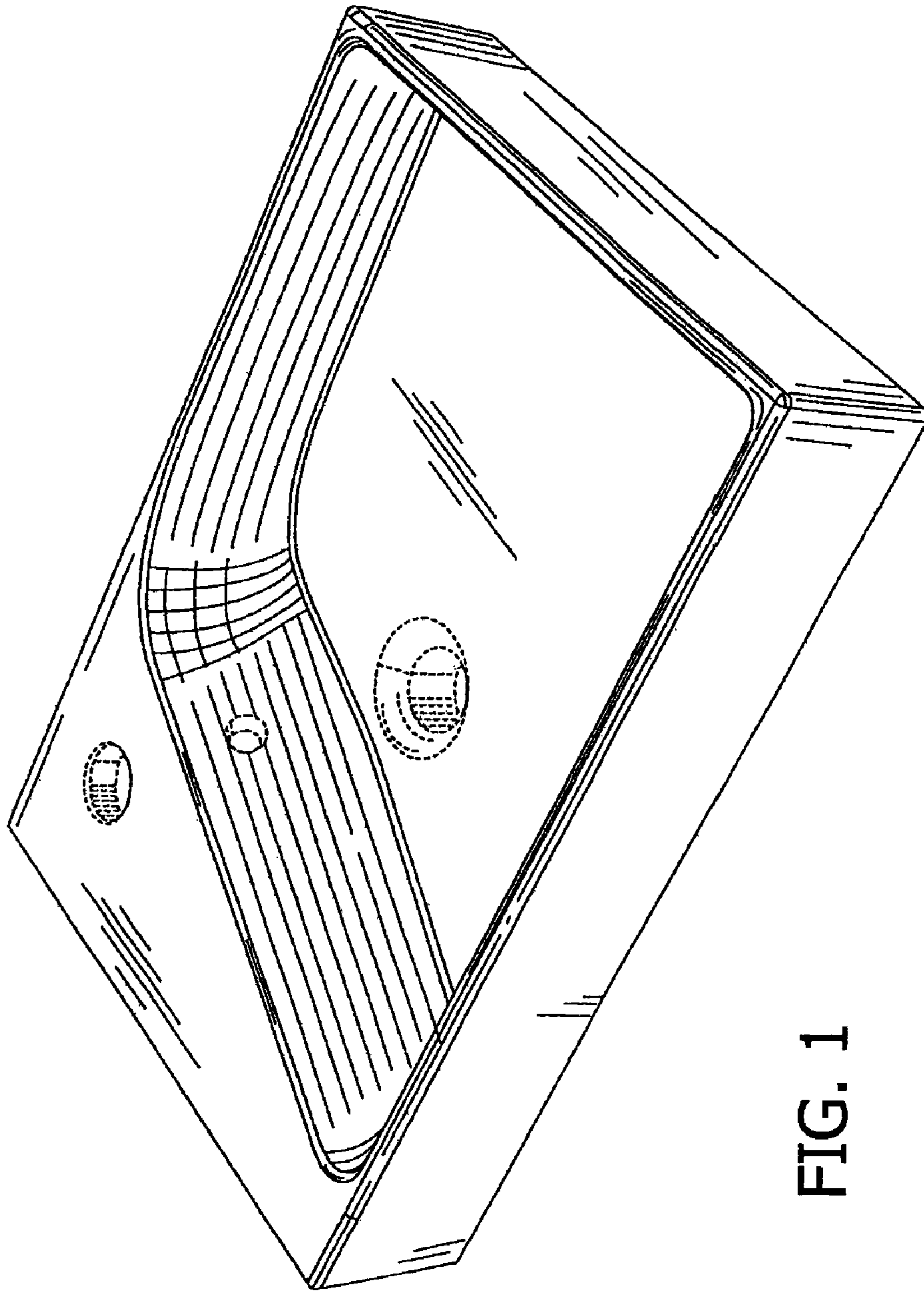


FIG. 1

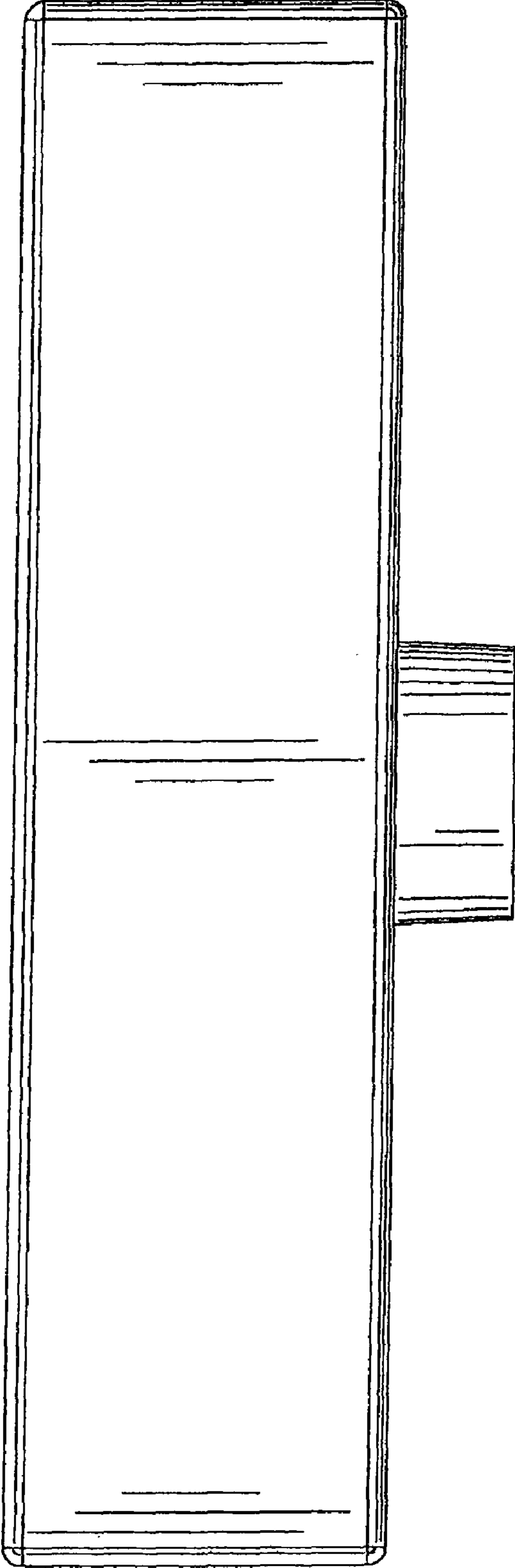


FIG. 2

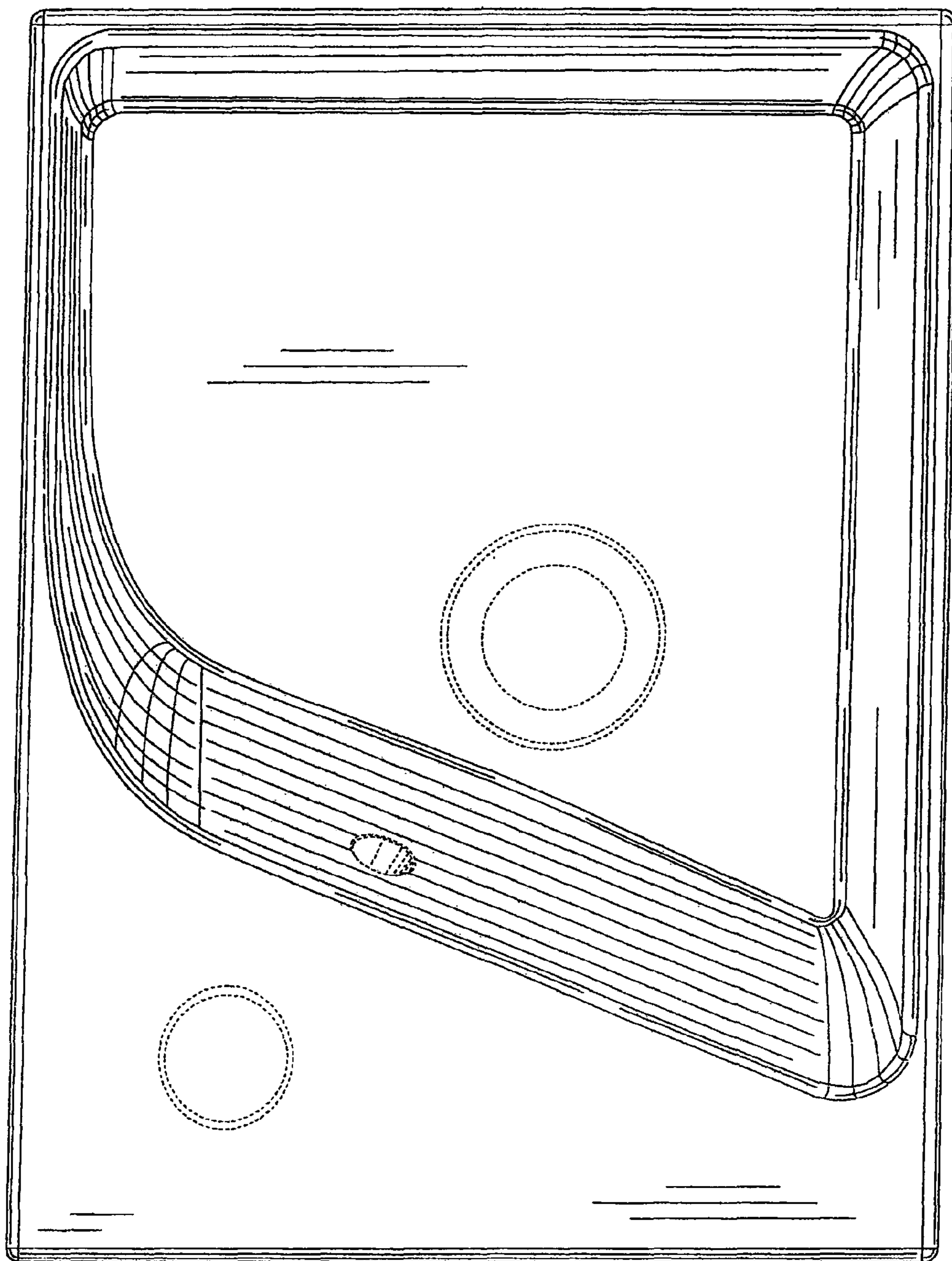


FIG. 3

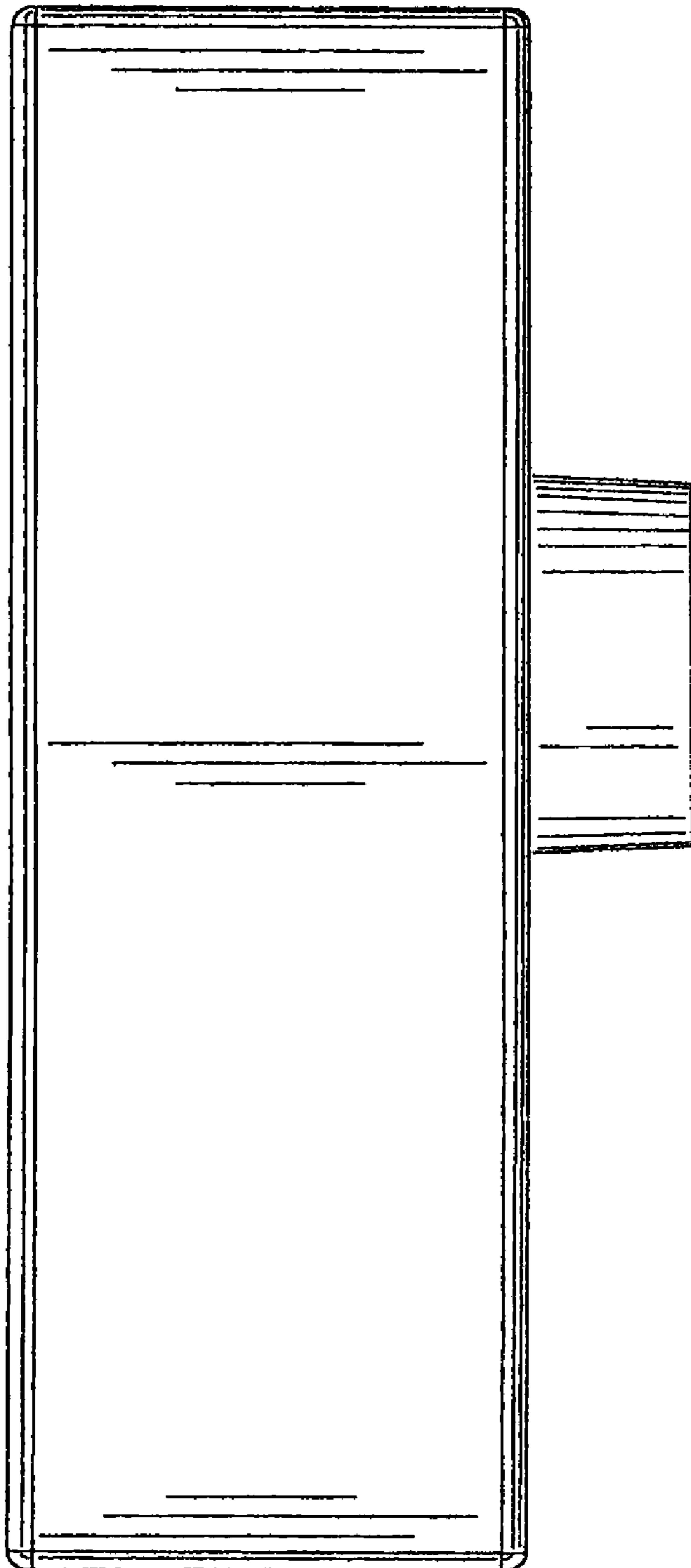


FIG. 4

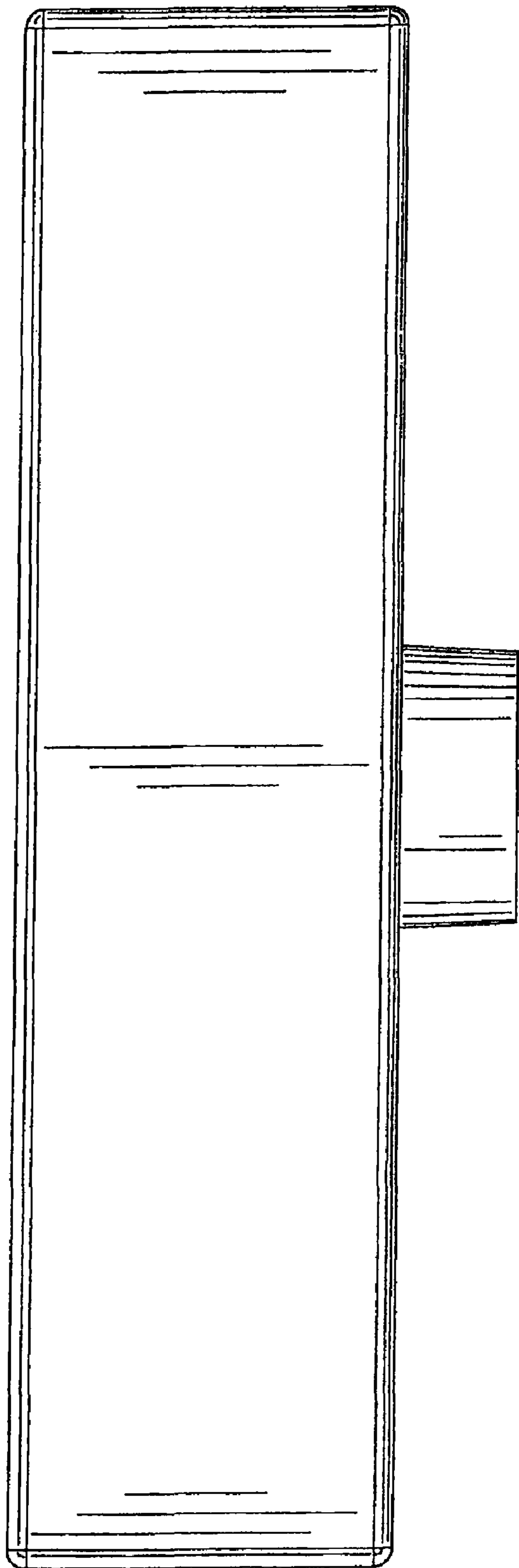


FIG. 5

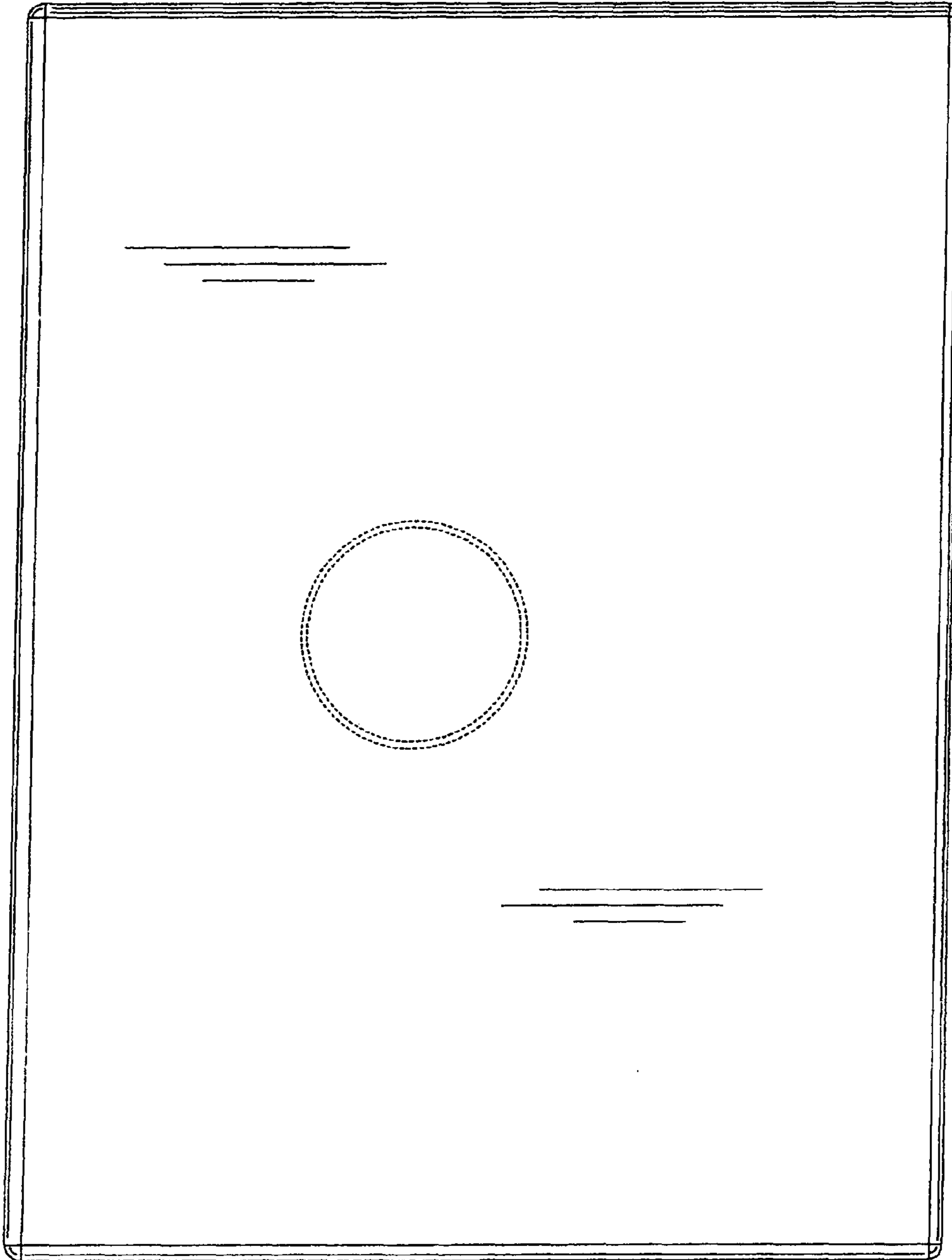


FIG. 6

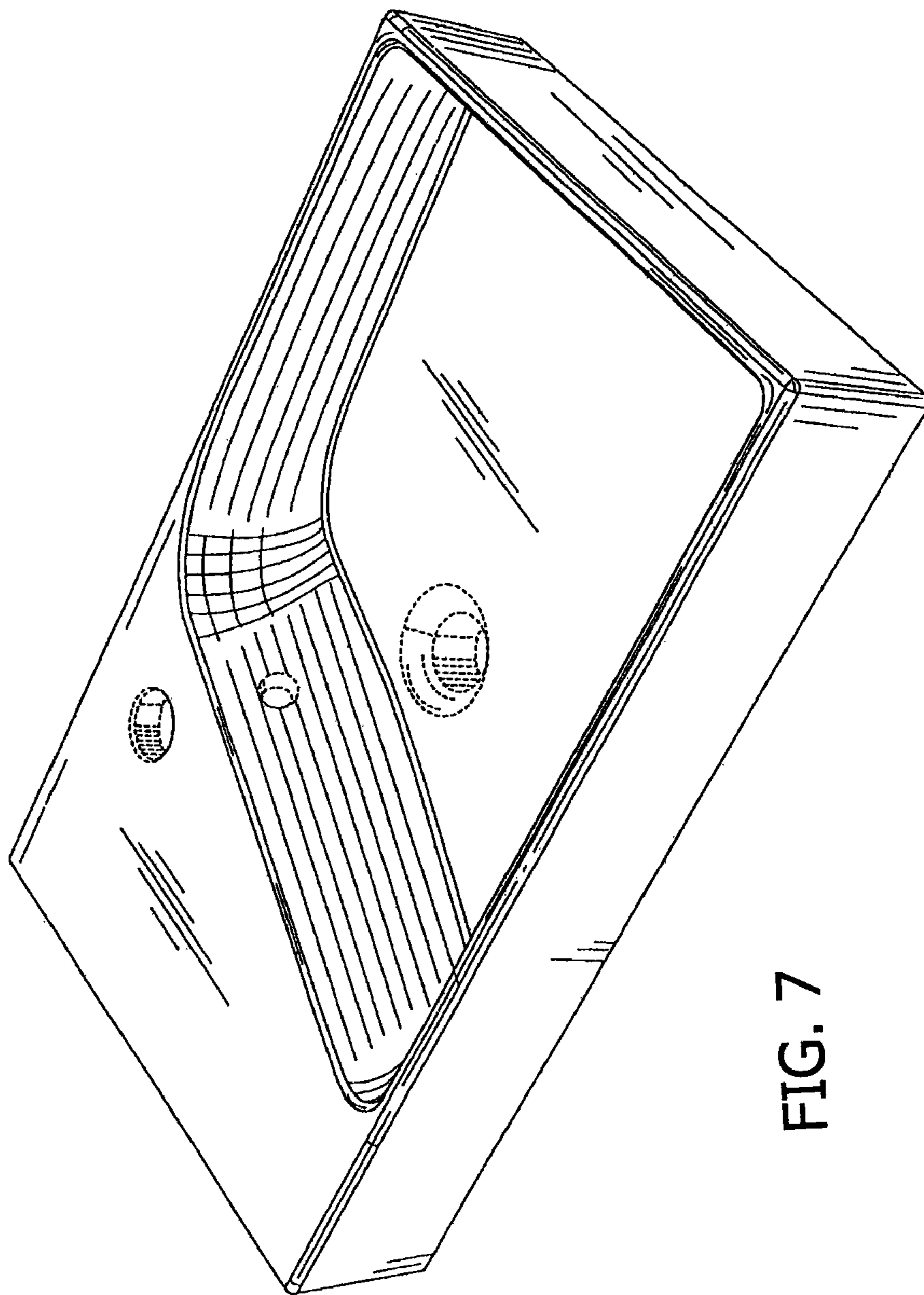


FIG. 7

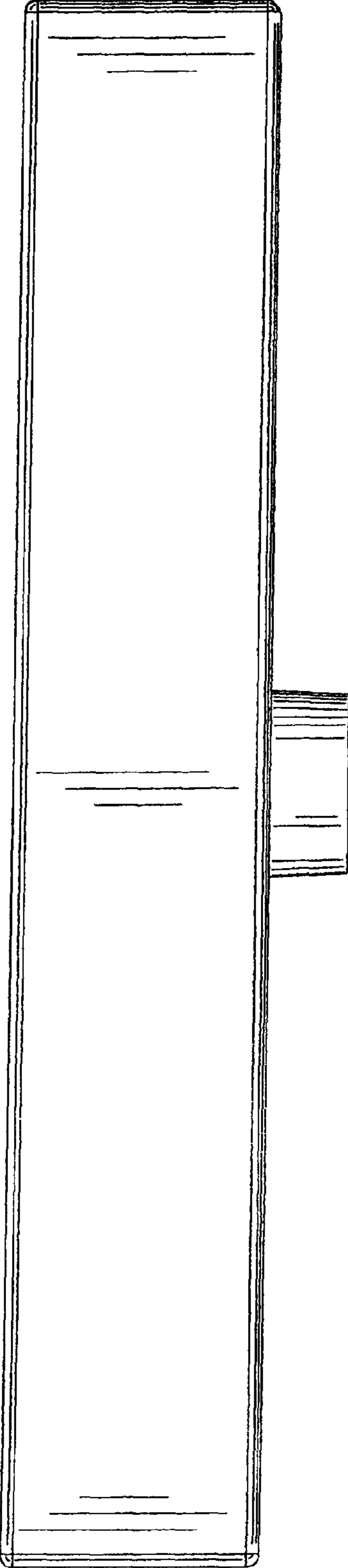


FIG. 8

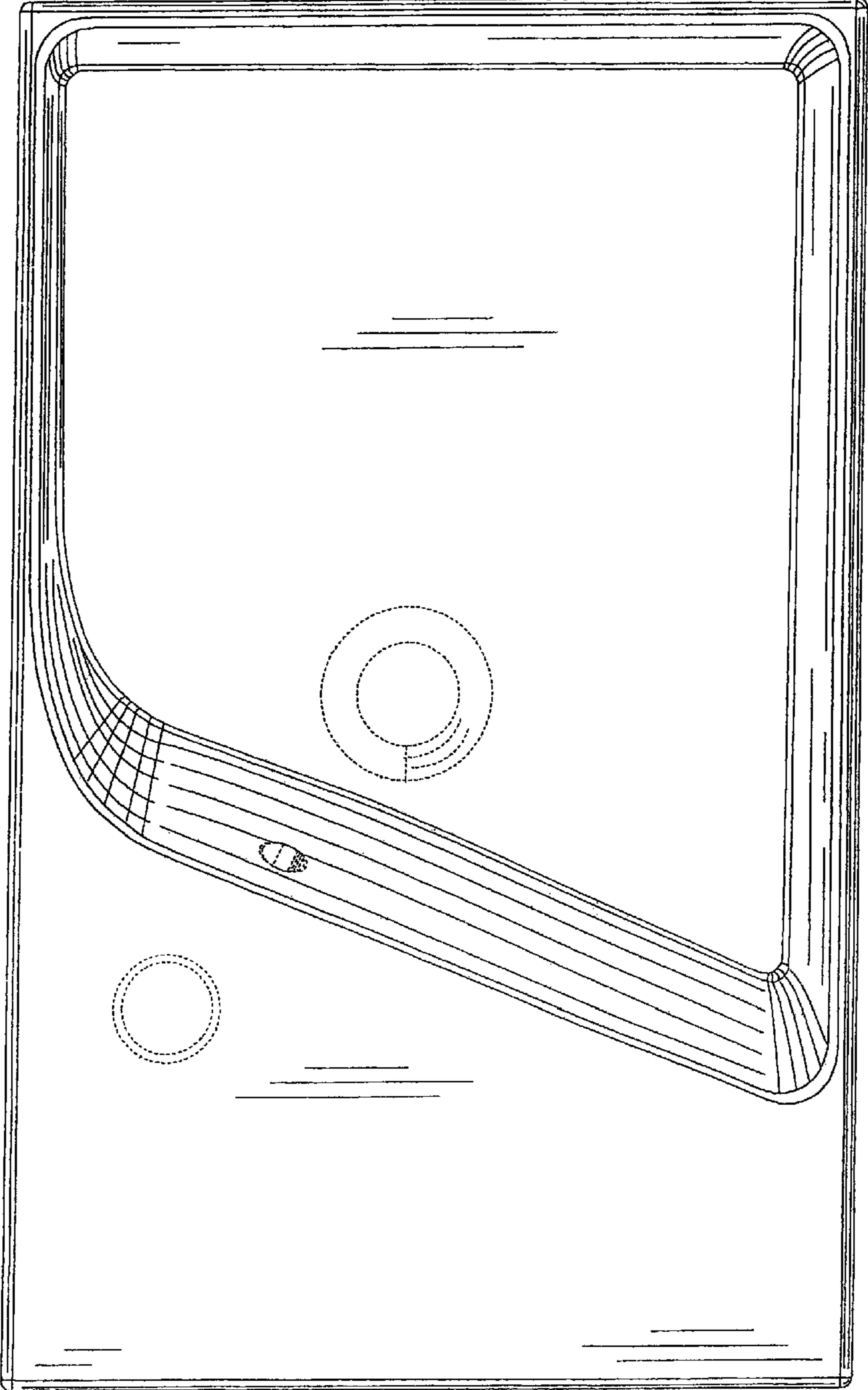


FIG. 9

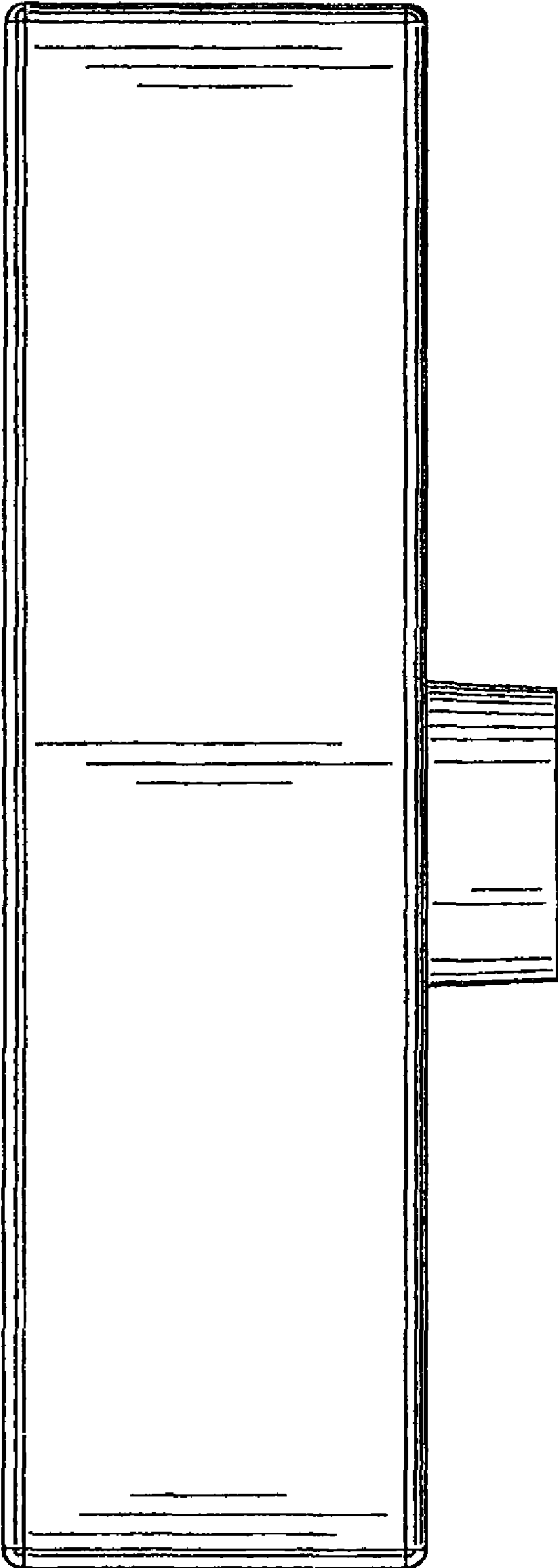


FIG. 10

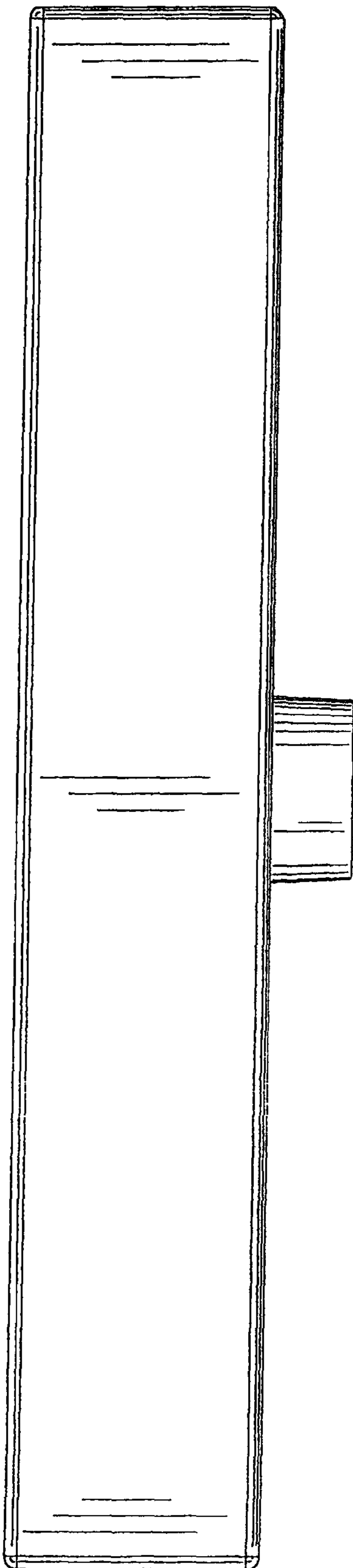


FIG. 11

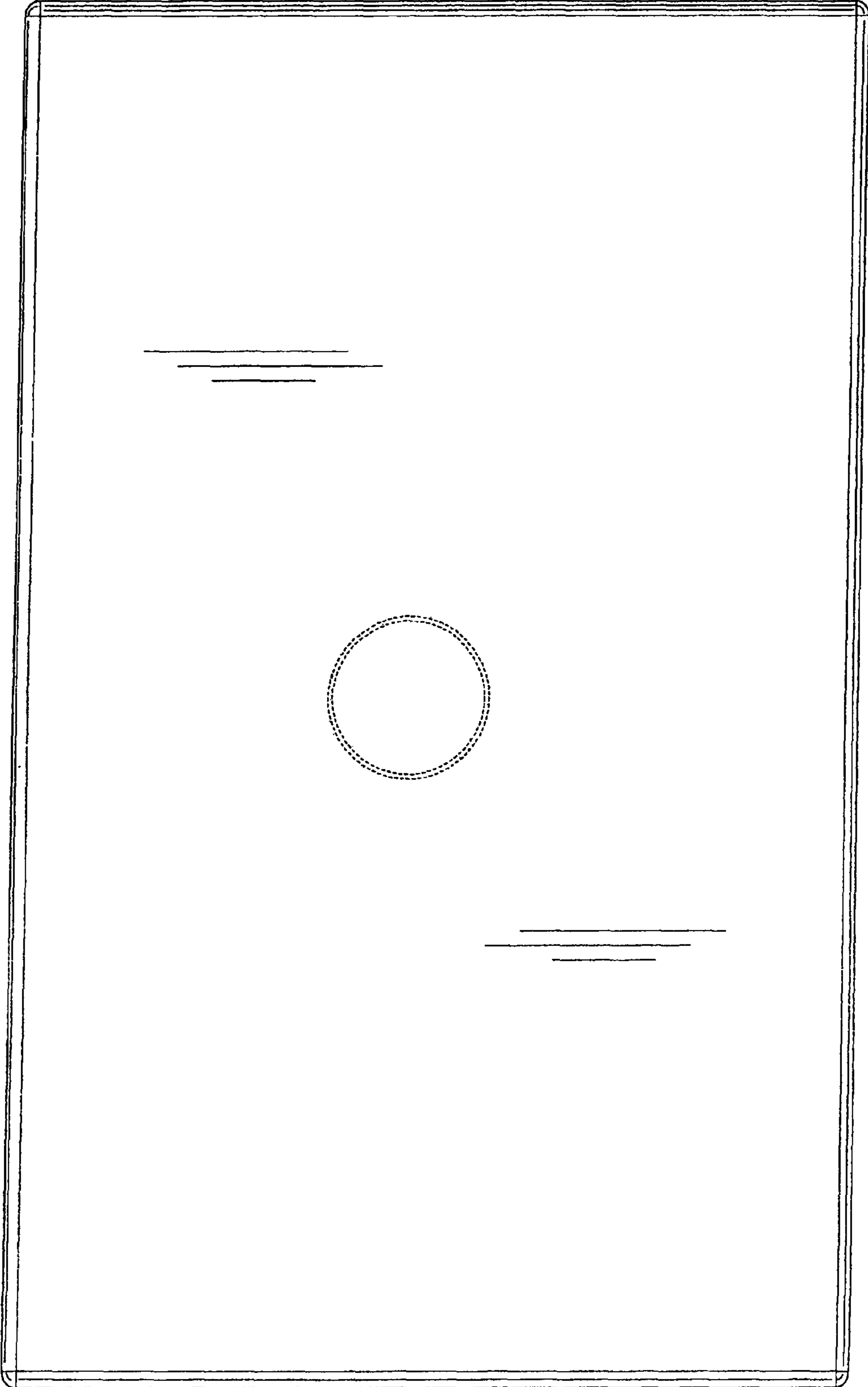


FIG. 12

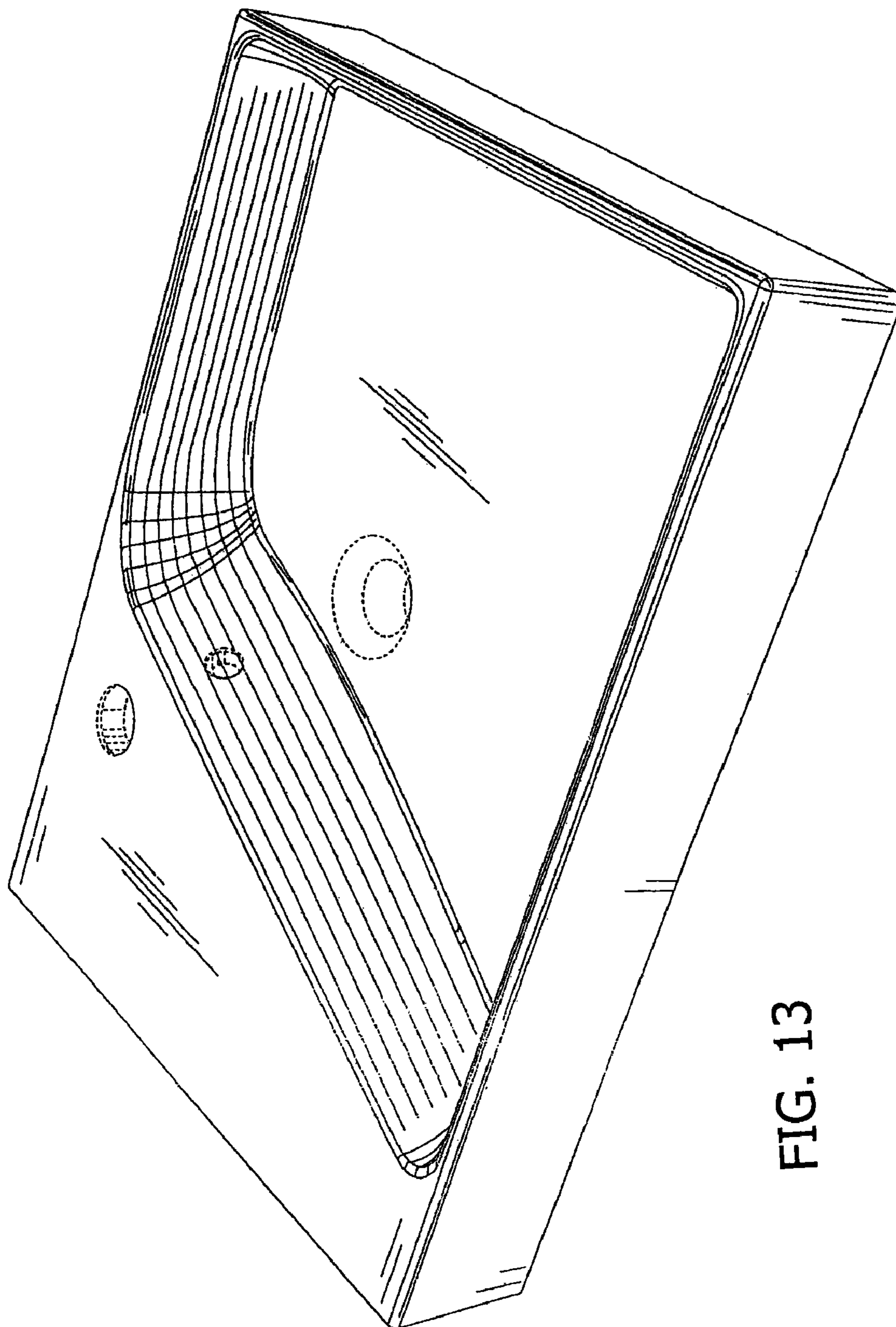


FIG. 13

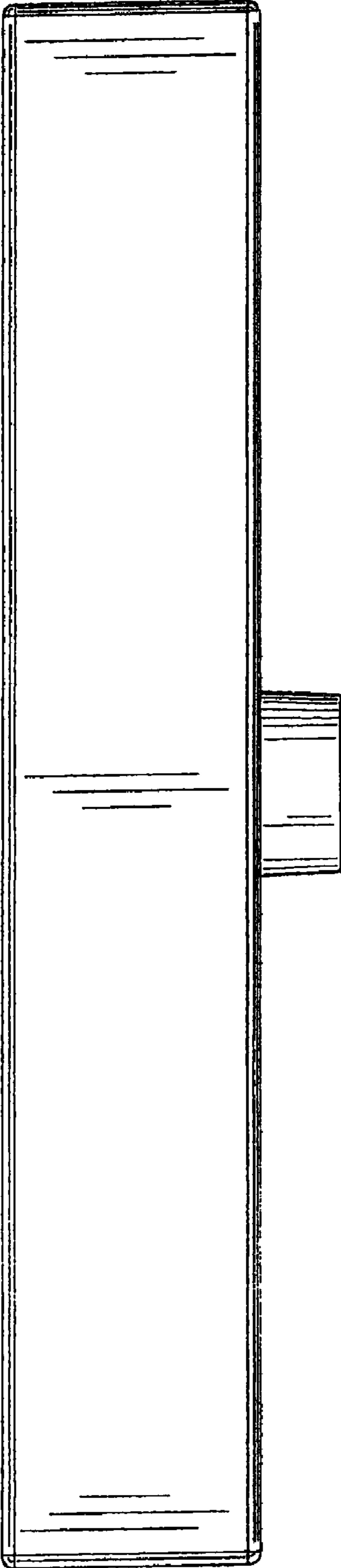


FIG. 14

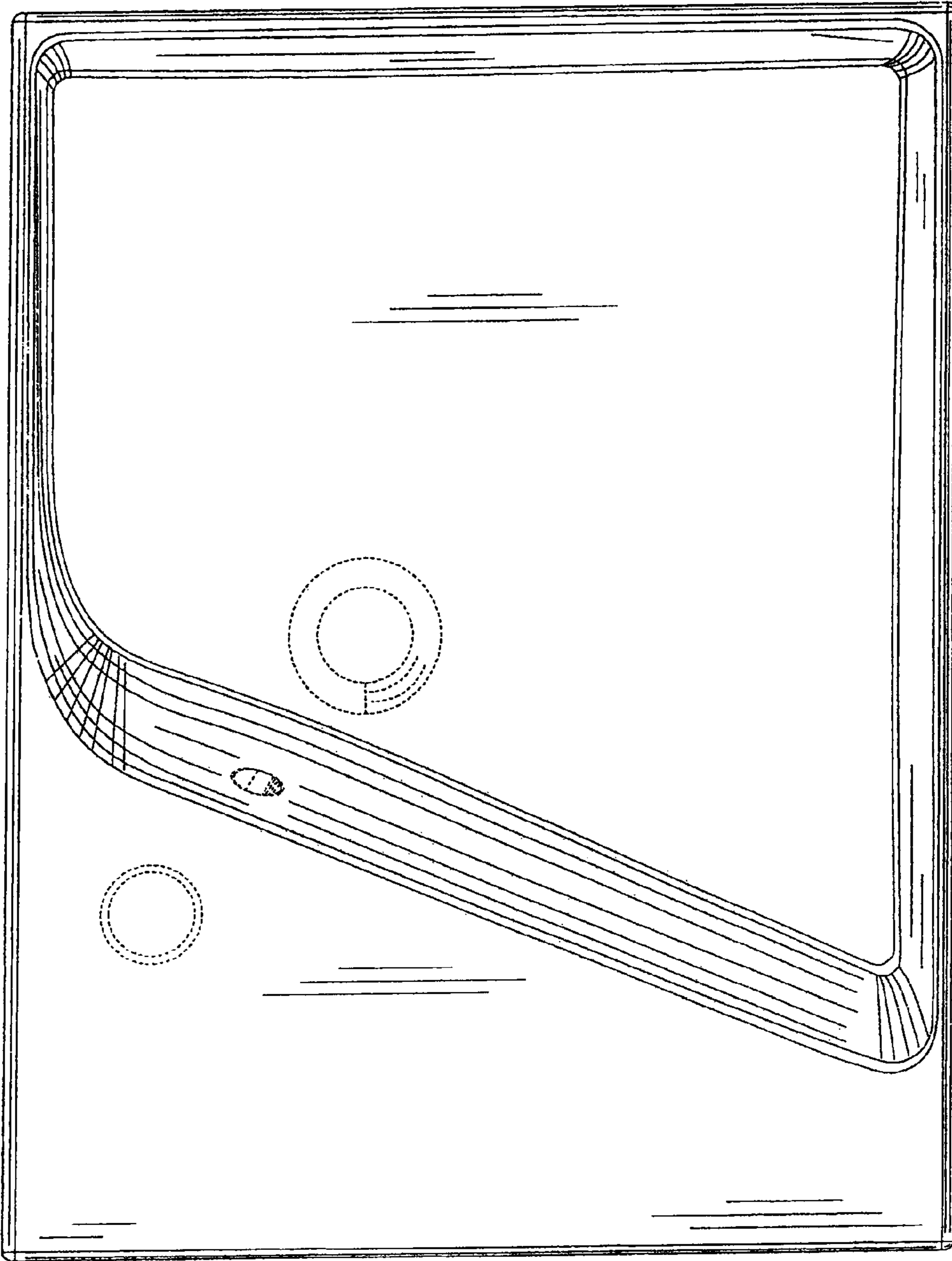


FIG. 15

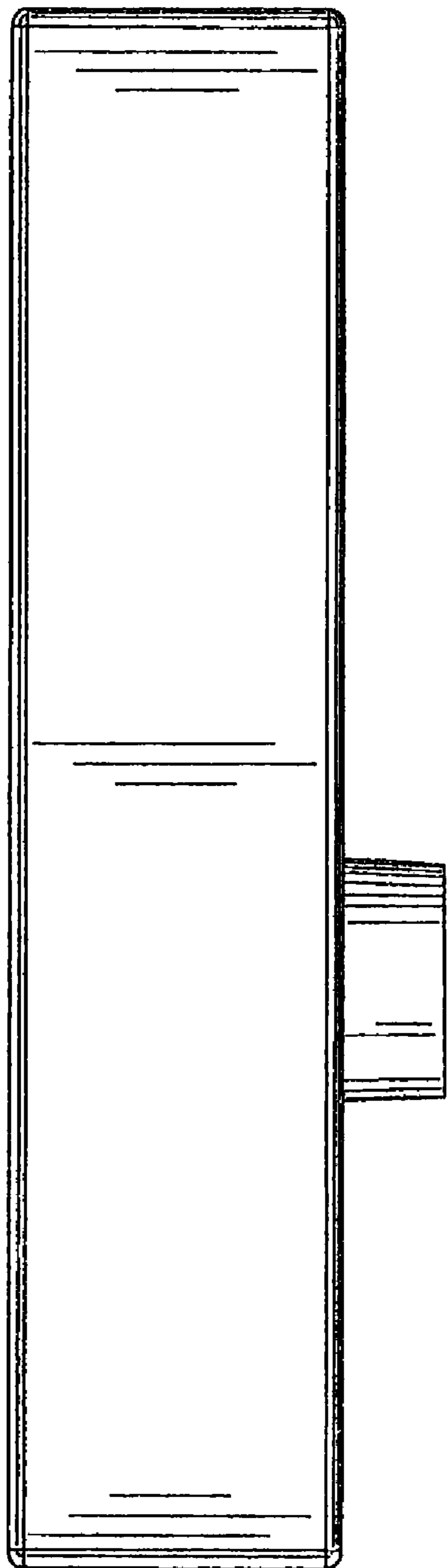


FIG. 16

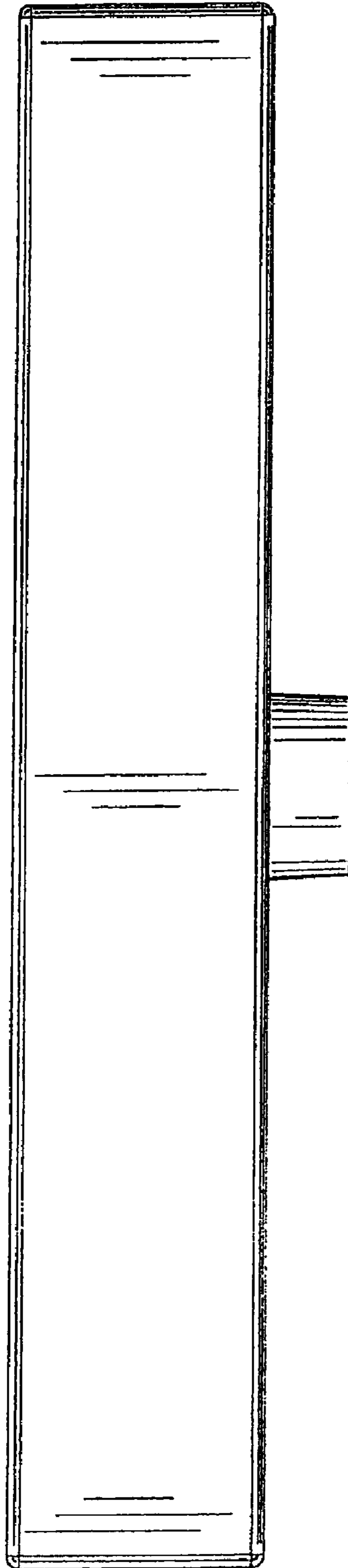


FIG. 17

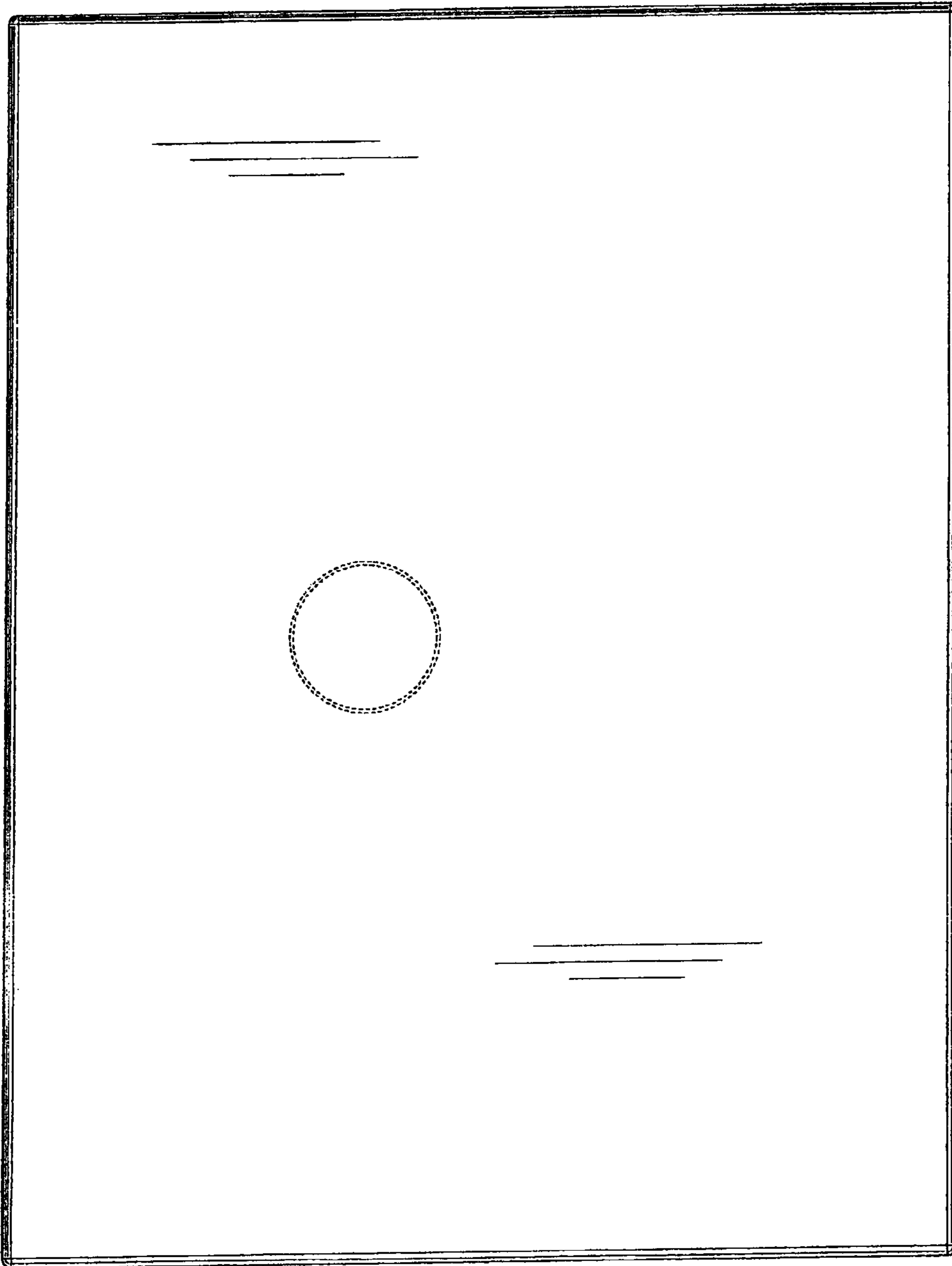


FIG. 18

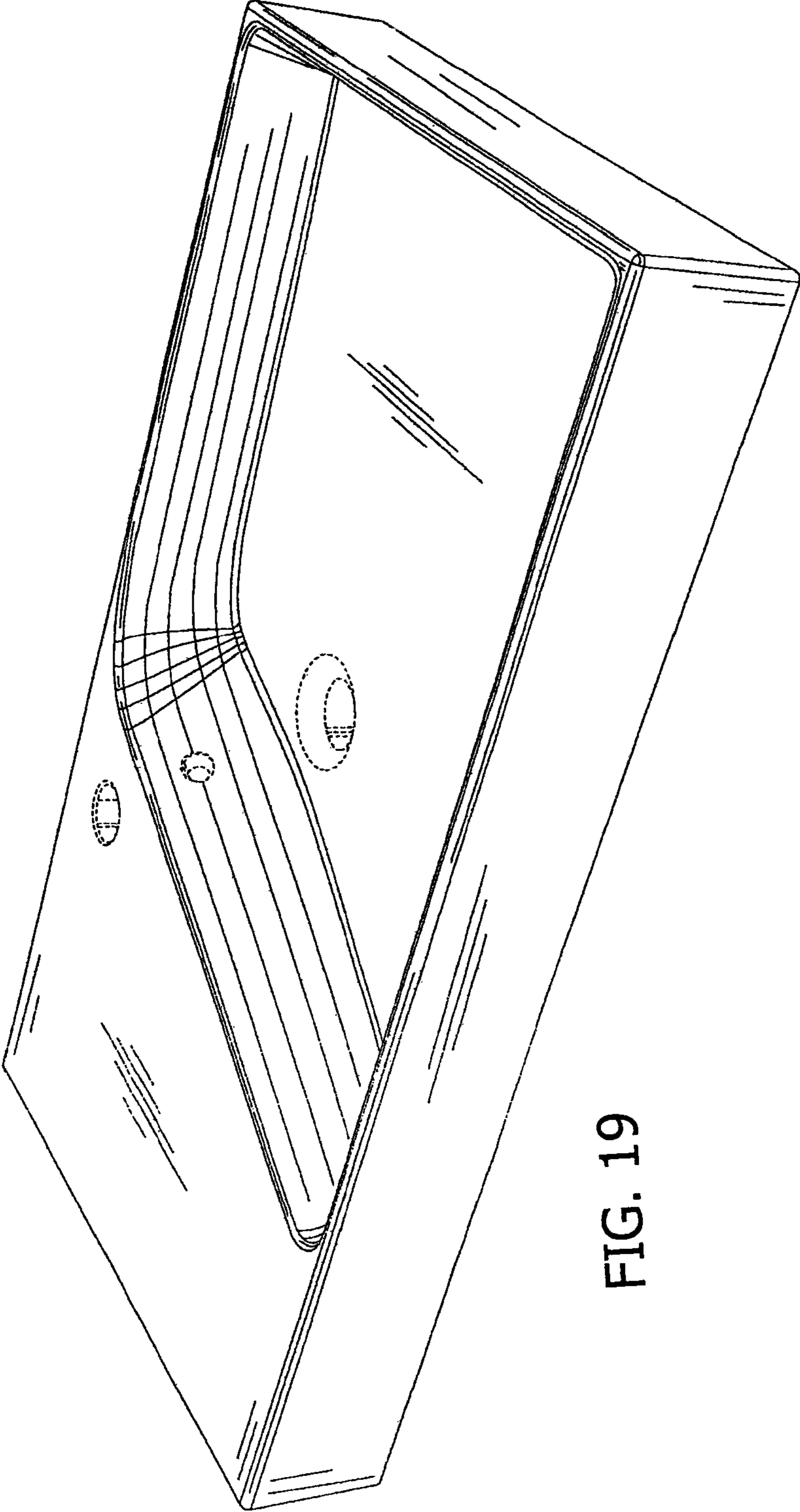


FIG. 19

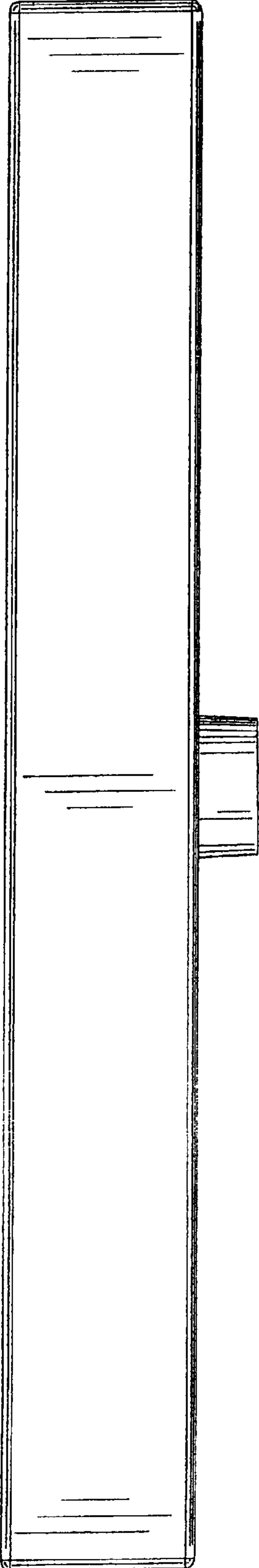


FIG. 20

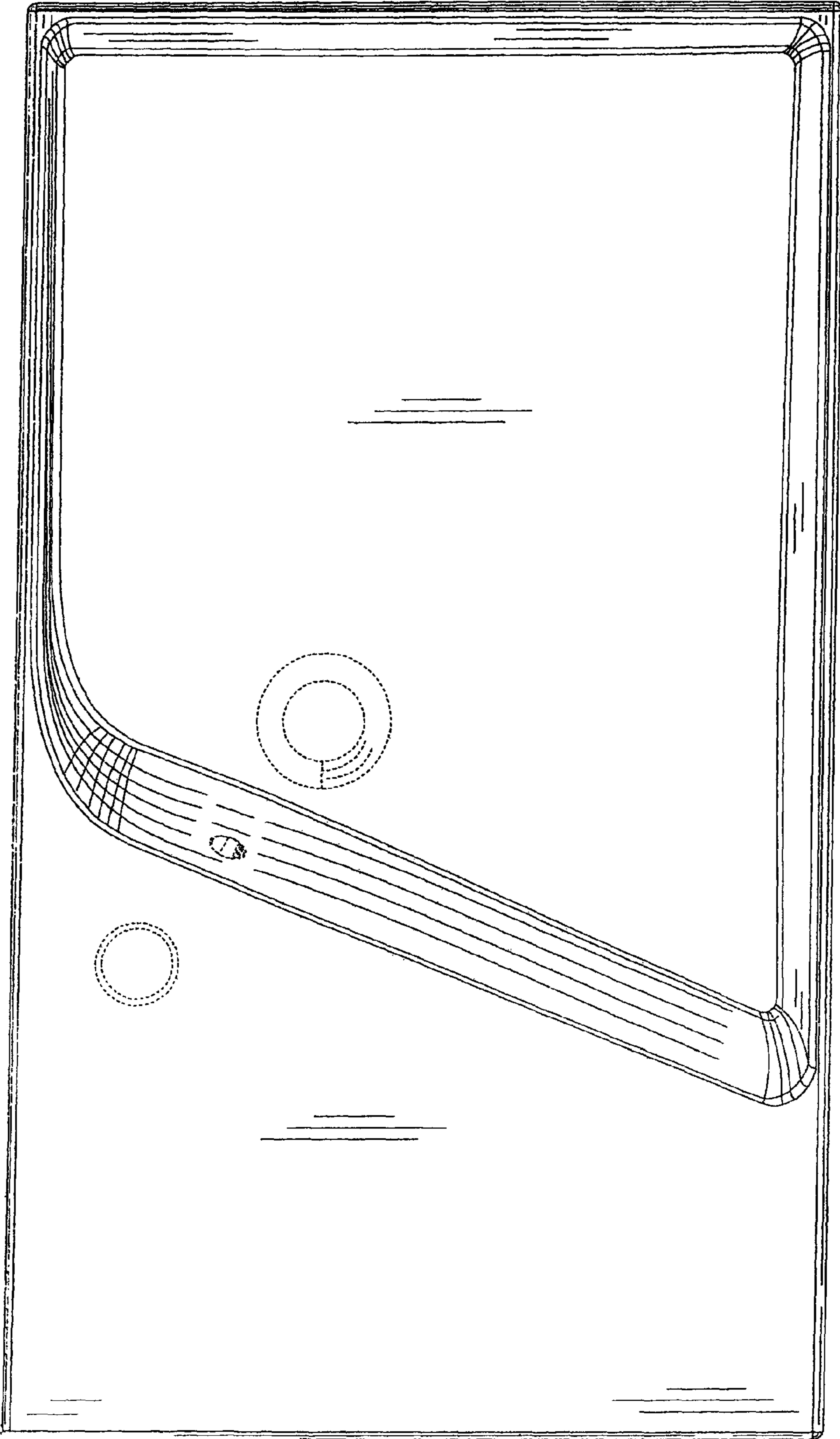


FIG. 21

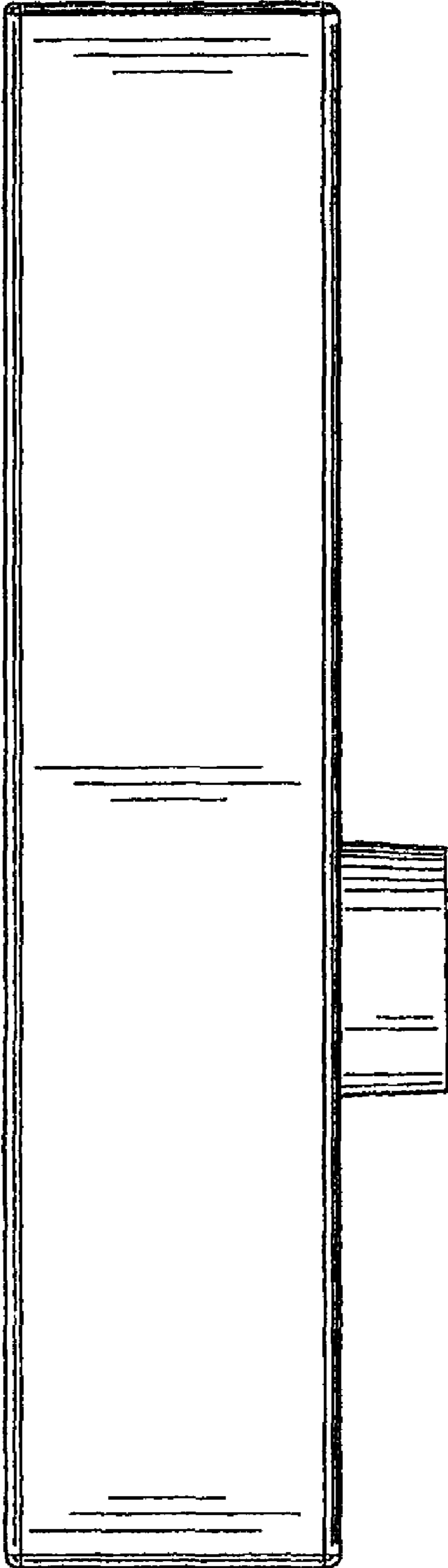


FIG. 22

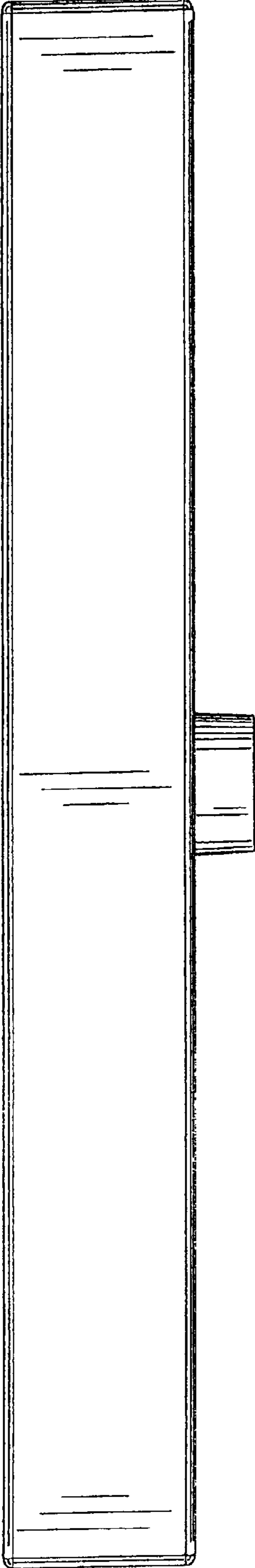


FIG. 23

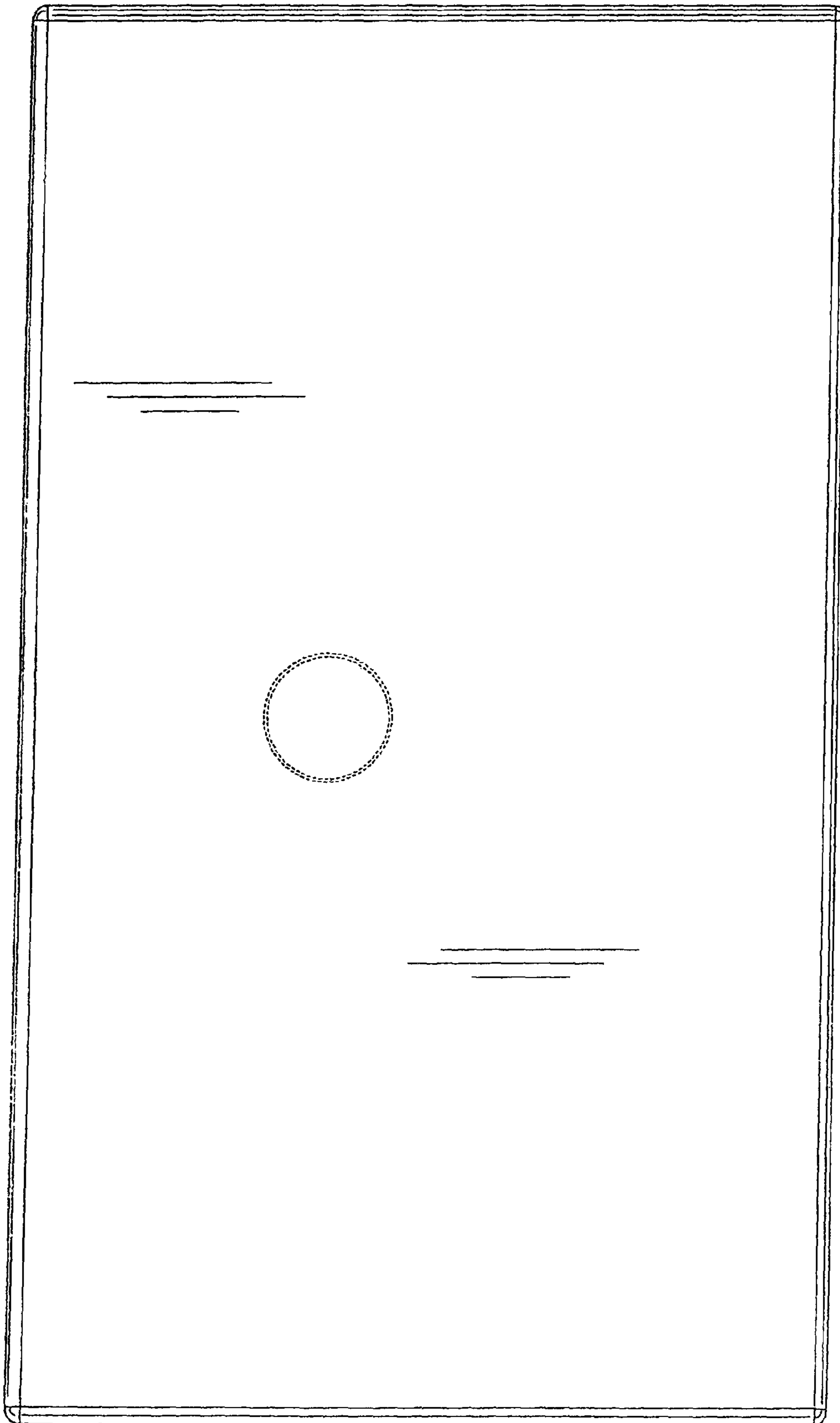


FIG. 24