



US00D634822S

(12) **United States Design Patent**  
**Bickerstaffe et al.**

(10) **Patent No.:** **US D634,822 S**  
(45) **Date of Patent:** **\*\* Mar. 22, 2011**

(54) **LAVATORY**

(75) Inventors: **S. Mark Bickerstaffe**, Clevedon (GB);  
**Paolo Grazioli**, Milan (IT)

(73) Assignee: **Kohler France SAS**, Paris (FR)

(\*\*) Term: **14 Years**

(21) Appl. No.: **29/357,730**

(22) Filed: **Mar. 16, 2010**

(30) **Foreign Application Priority Data**

Sep. 18, 2009 (EP) ..... 001165328

(51) **LOC (9) Cl.** ..... **23-02**

(52) **U.S. Cl.** ..... **D23/284**

(58) **Field of Classification Search** ..... D23/284,  
D23/287, 293.1, 308; 4/619

See application file for complete search history.

(56) **References Cited**

**U.S. PATENT DOCUMENTS**

D279,404 S	6/1985	Hiller	
D384,404 S *	9/1997	Kergoet	D23/284
D400,980 S *	11/1998	Schroer	D23/293.1
D446,846 S	8/2001	Ferrer Beltran	
D547,844 S *	7/2007	Mukai	D23/293.1
D598,990 S *	8/2009	Duringer et al.	D23/284
D624,992 S *	10/2010	Maitre et al.	D23/284

**OTHER PUBLICATIONS**

Victorian Bathrooms, "Lavatory", victorianbathrooms.com online catalog.

Keramag, Shelf and furniture washbasins.

Hastings, 10800/HAS BuyLine 0589.

Hastings, basin, cn1.kaboodle.com.

Supplier unknown, basin.

\* cited by examiner

*Primary Examiner* — Robert A Delehanty

(74) *Attorney, Agent, or Firm* — Quarles & Brady LLP

(57) **CLAIM**

The ornamental design for a lavatory, as shown and described.

**DESCRIPTION**

FIG. 1 is a top, left, front perspective view of a lavatory embodying our new design;

FIG. 2 is a top plan view thereof;

FIG. 3 is a left side elevational view thereof, the right side elevational view thereof is a mirror image of the left side shown;

FIG. 4 is a front elevational view thereof;

FIG. 5 is bottom plan view thereof;

FIG. 6 is a rear elevational view thereof;

FIG. 7 is a sectional view taken along line 7—7 of FIG. 2;

FIG. 8 is a top, left, front perspective view of a lavatory according to another embodiment of our new design;

FIG. 9 is a top plan view thereof;

FIG. 10 is a left side elevational view thereof, the right side elevational view thereof is a mirror image of the left side shown;

FIG. 11 is a front elevational view thereof;

FIG. 12 is bottom plan view thereof;

FIG. 13 is a rear elevational view thereof;

FIG. 14 is a sectional view taken along line 14—14 of FIG. 9;

FIG. 15 is a top, left, front perspective view of a lavatory according to another embodiment of our new design;

FIG. 16 is a top plan view thereof;

FIG. 17 is a front elevational view thereof;

FIG. 18 is a left side elevational view thereof, the right side elevational view thereof is a mirror image of the left side shown;

FIG. 19 is bottom plan view thereof;

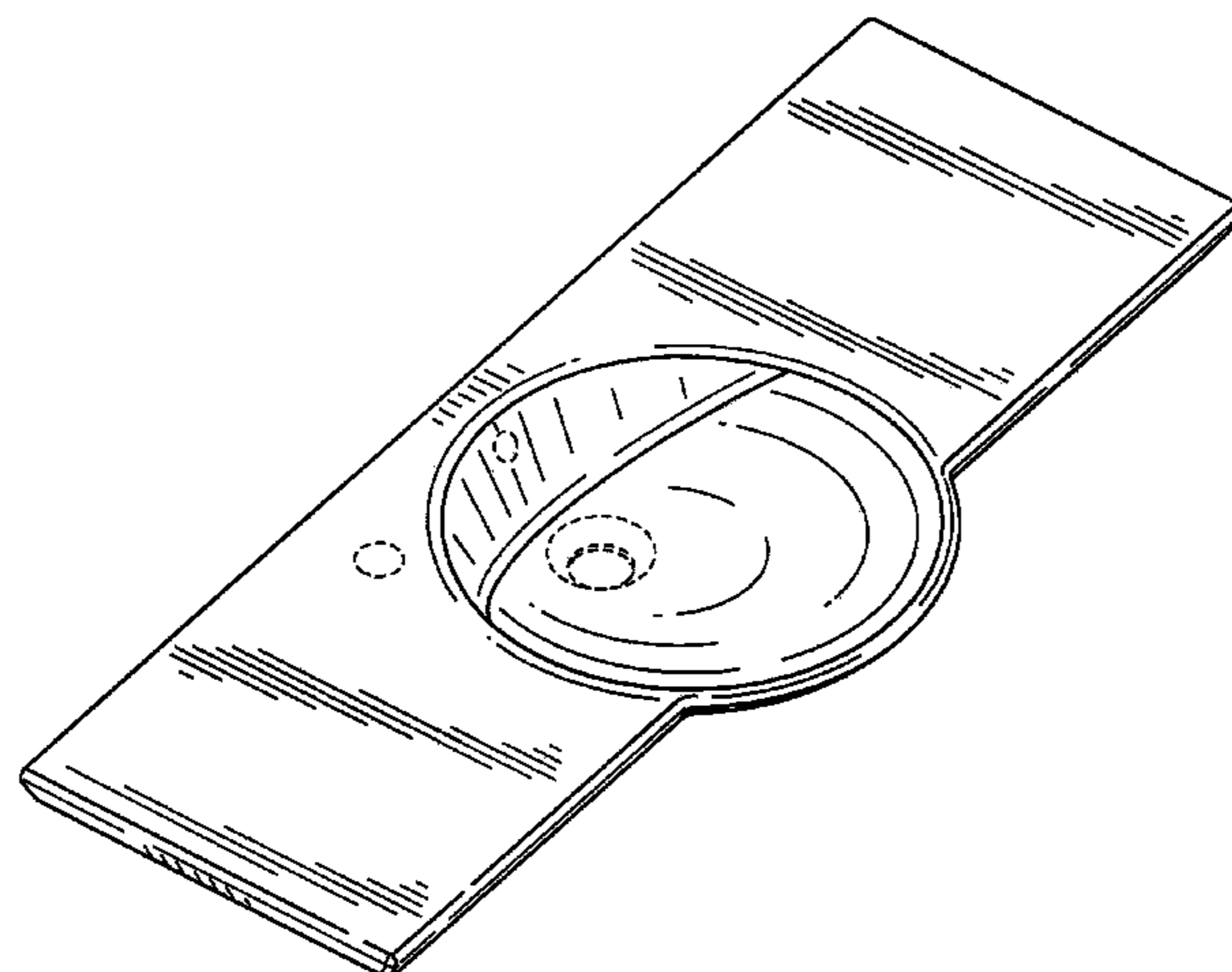
FIG. 20 is a rear elevational view thereof; and,

FIG. 21 is a sectional view taken along line 21—21 of FIG. 16.

The broken line representations in the figures are for the purpose of illustration only, and form no part of the claimed design.

In a preferred embodiment, the nature of this product is as a plumbing fixture in the form of a lavatory which is primarily useful for washing various items and the body parts of humans.

**1 Claim, 12 Drawing Sheets**



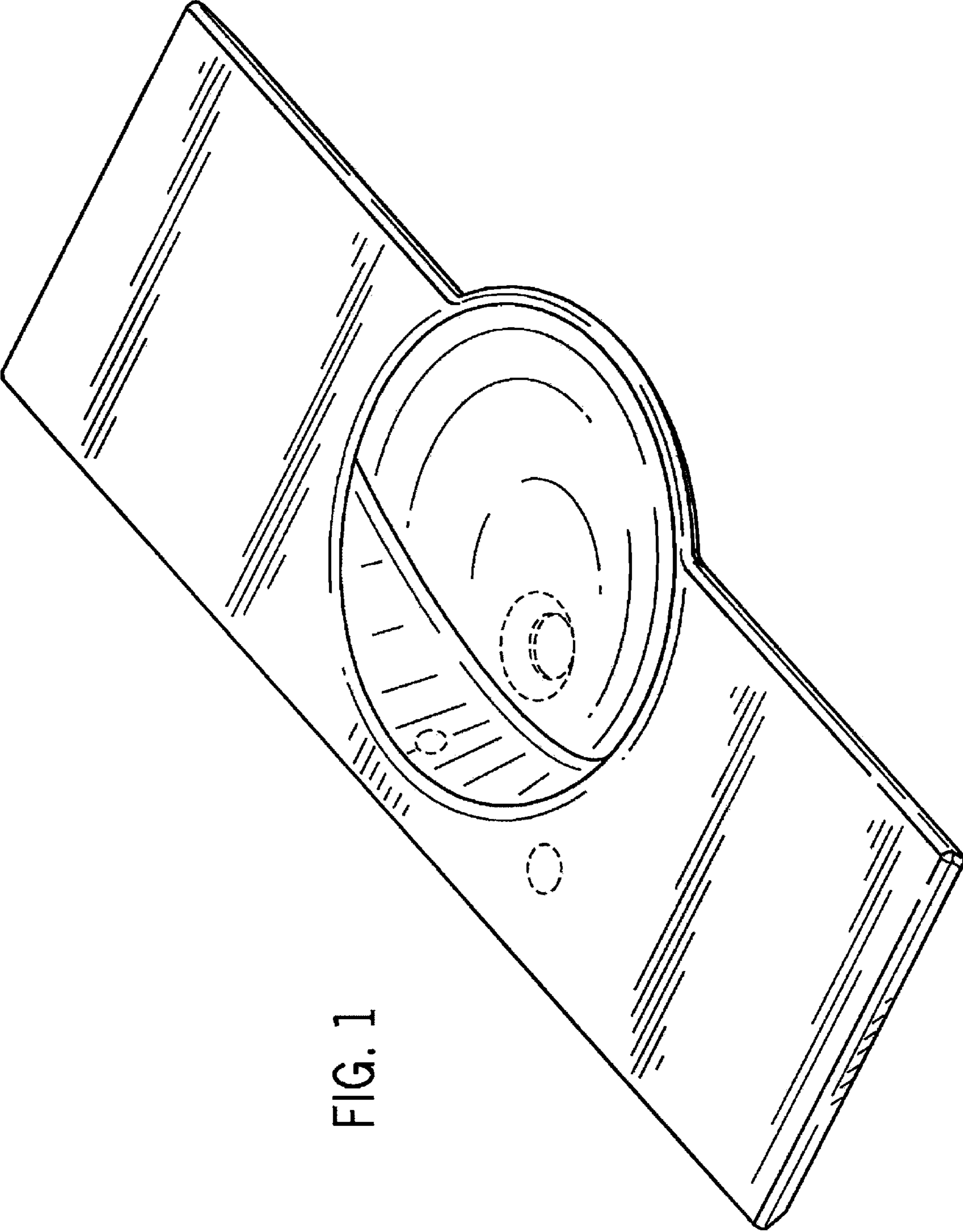
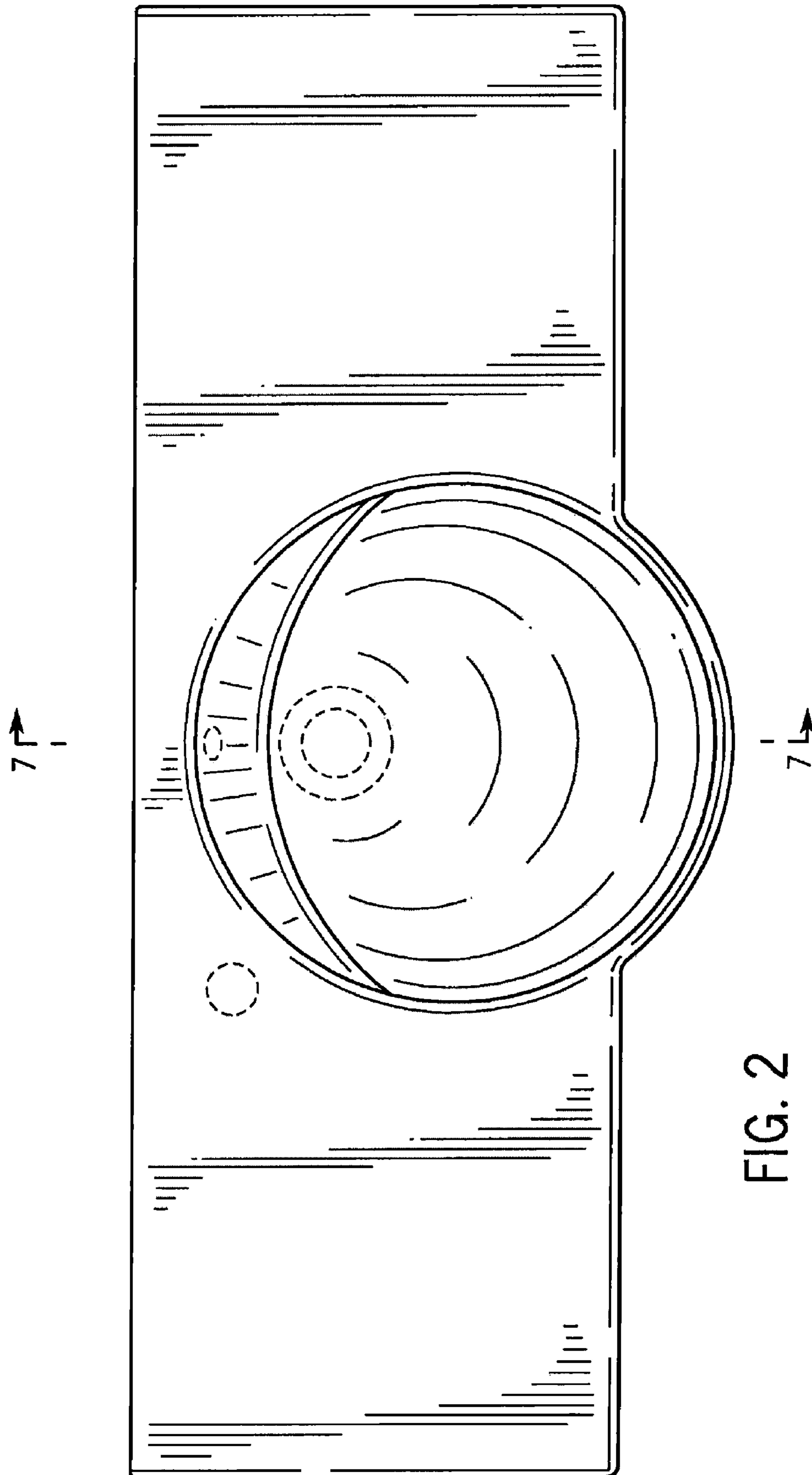


FIG. 1



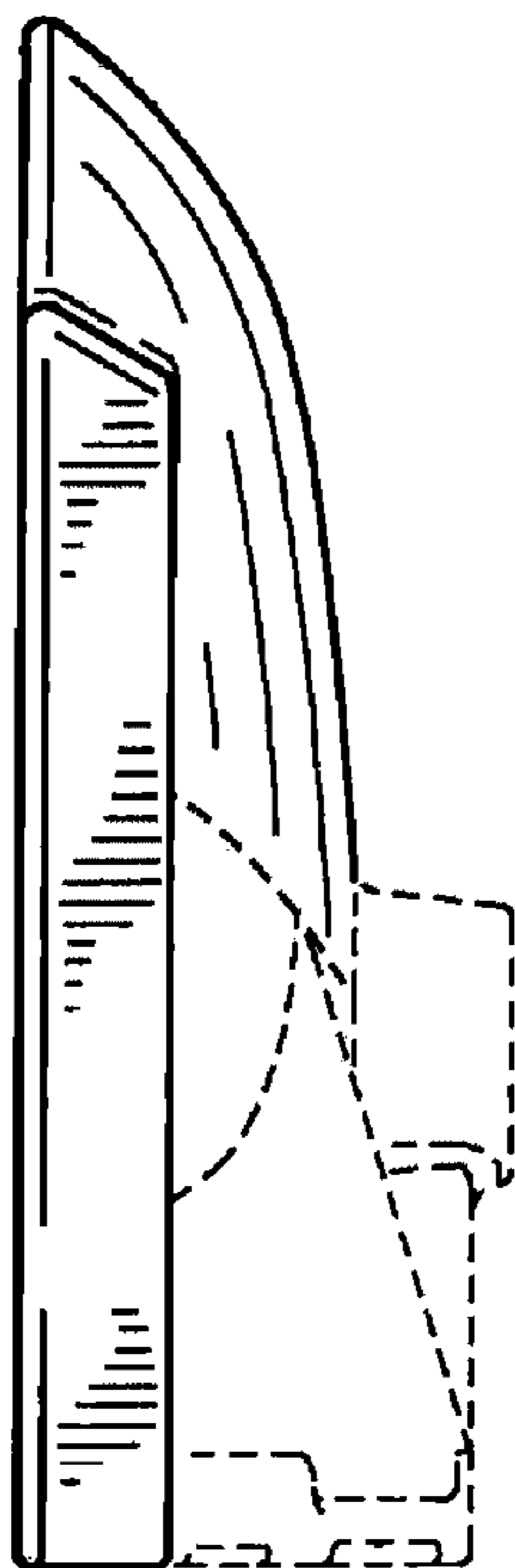


FIG. 3

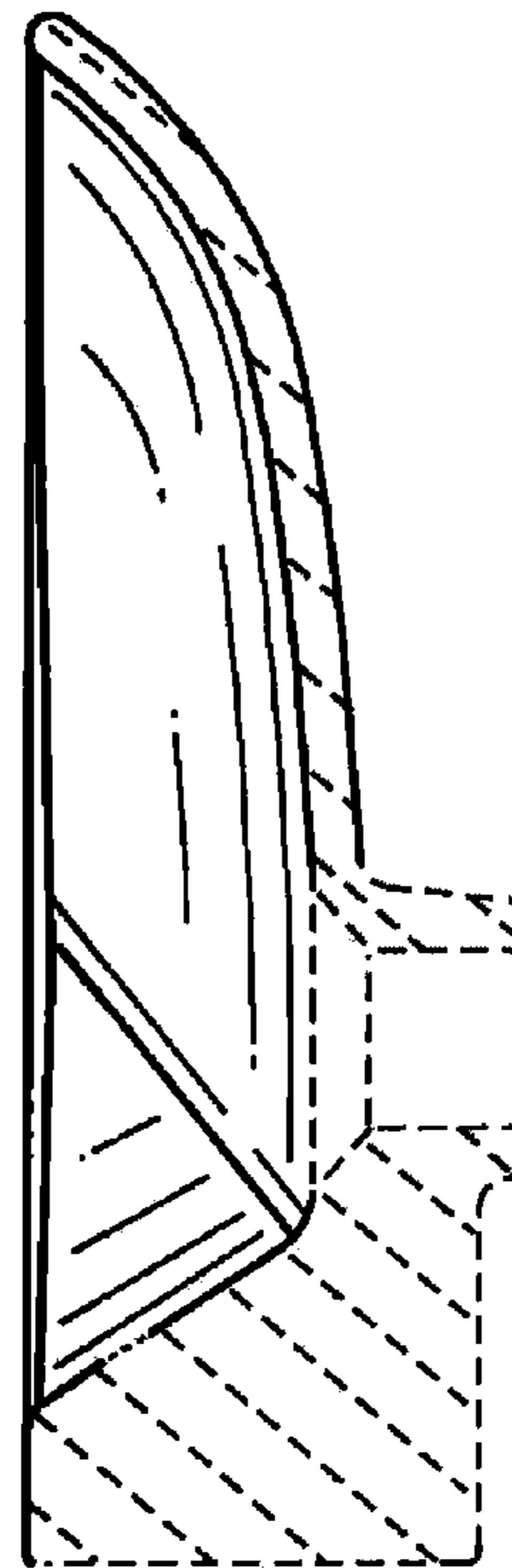


FIG. 7

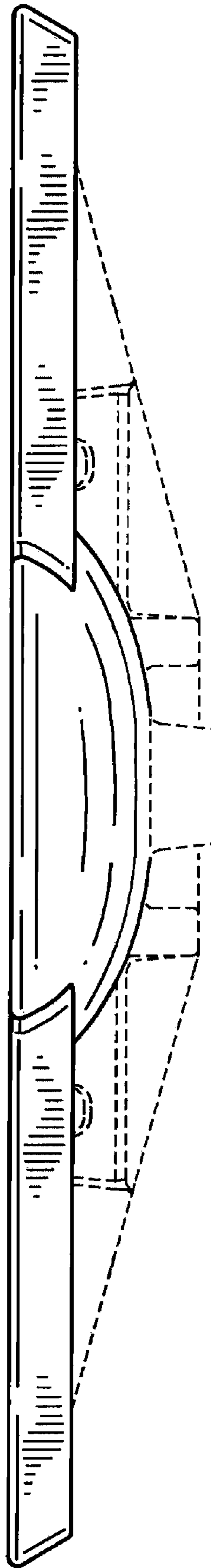


FIG. 4



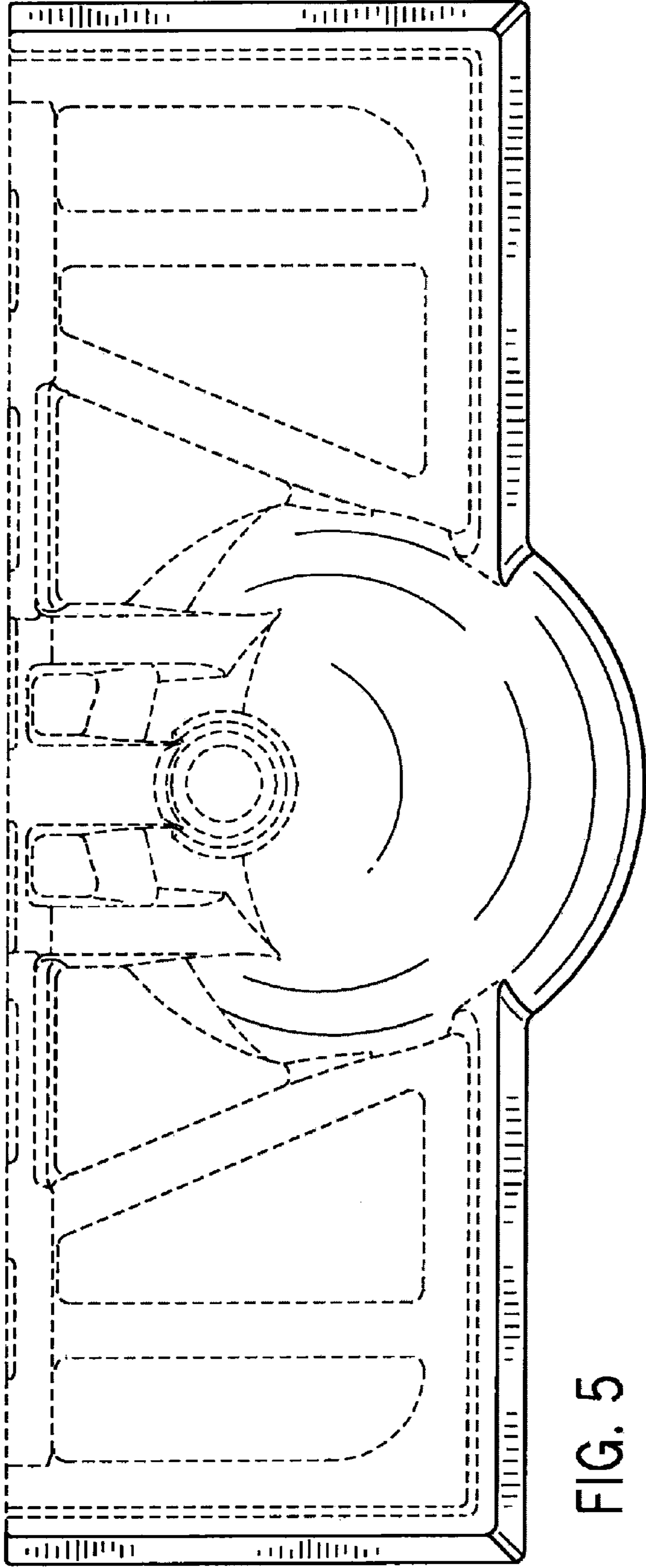


FIG. 5

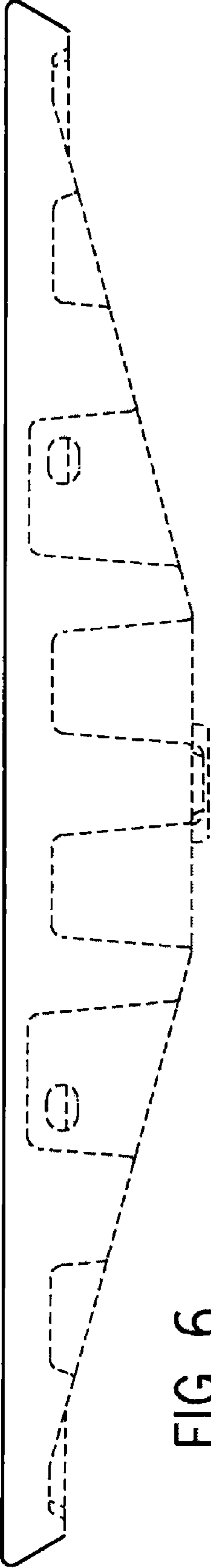


FIG. 6

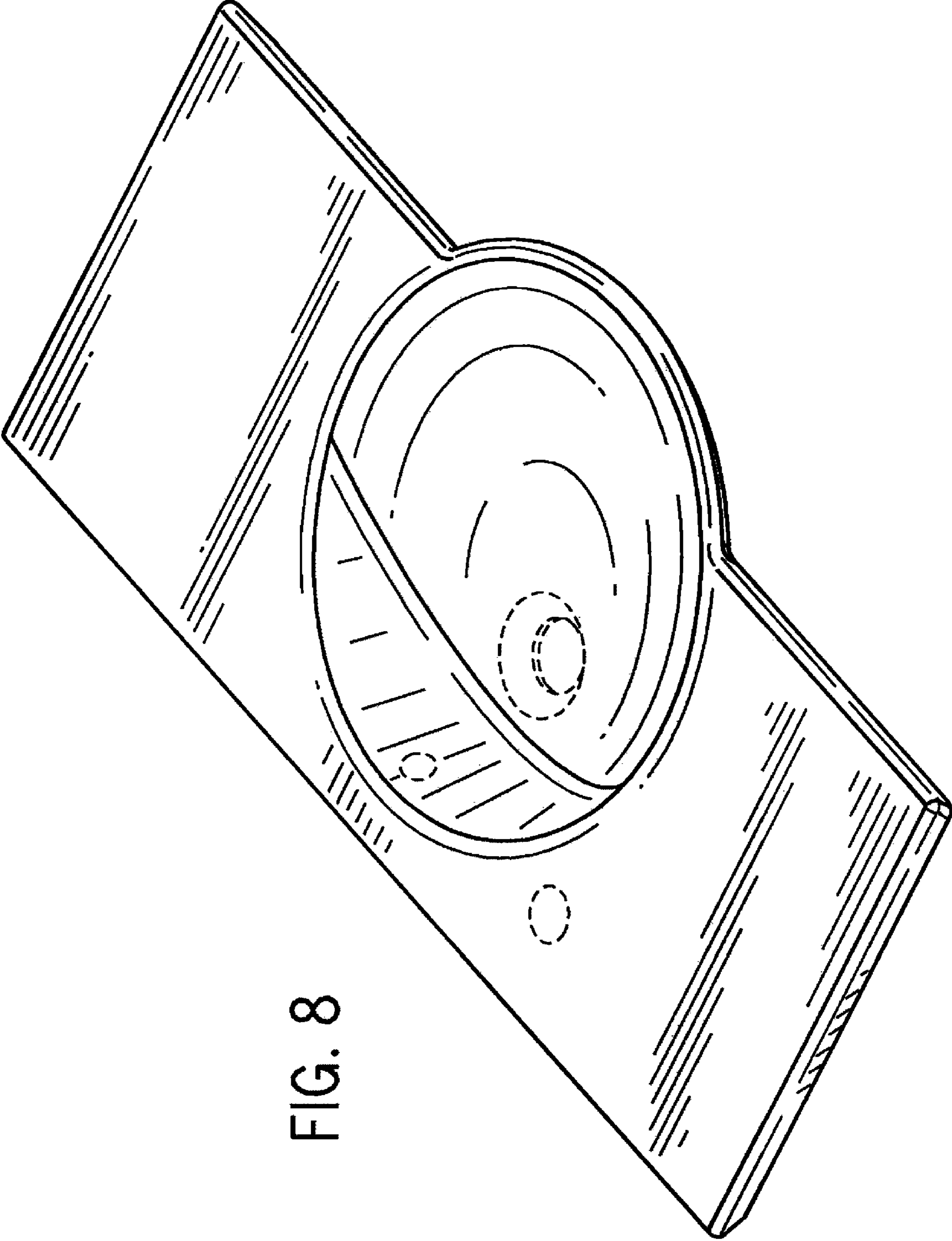


FIG. 8

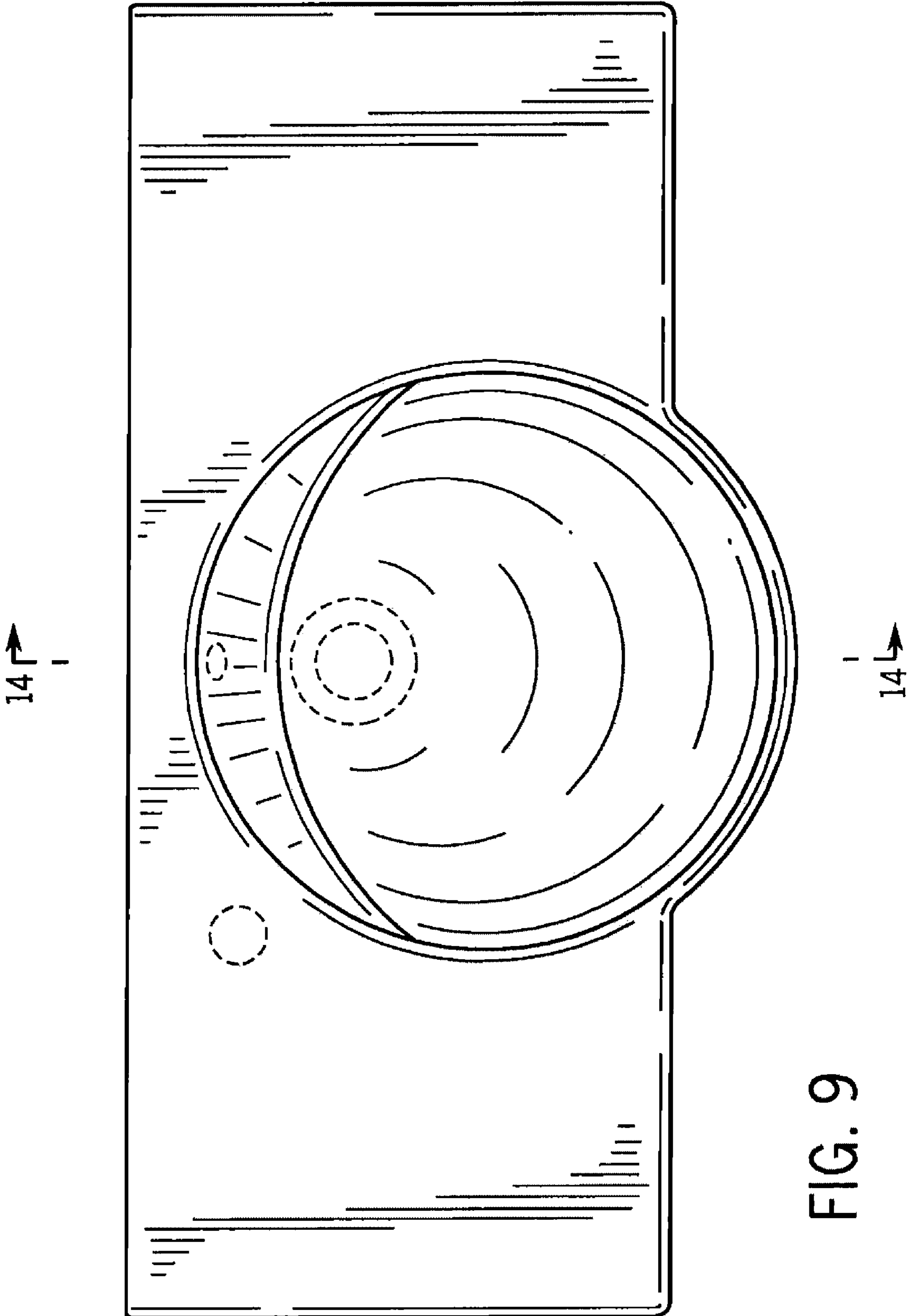


FIG. 9

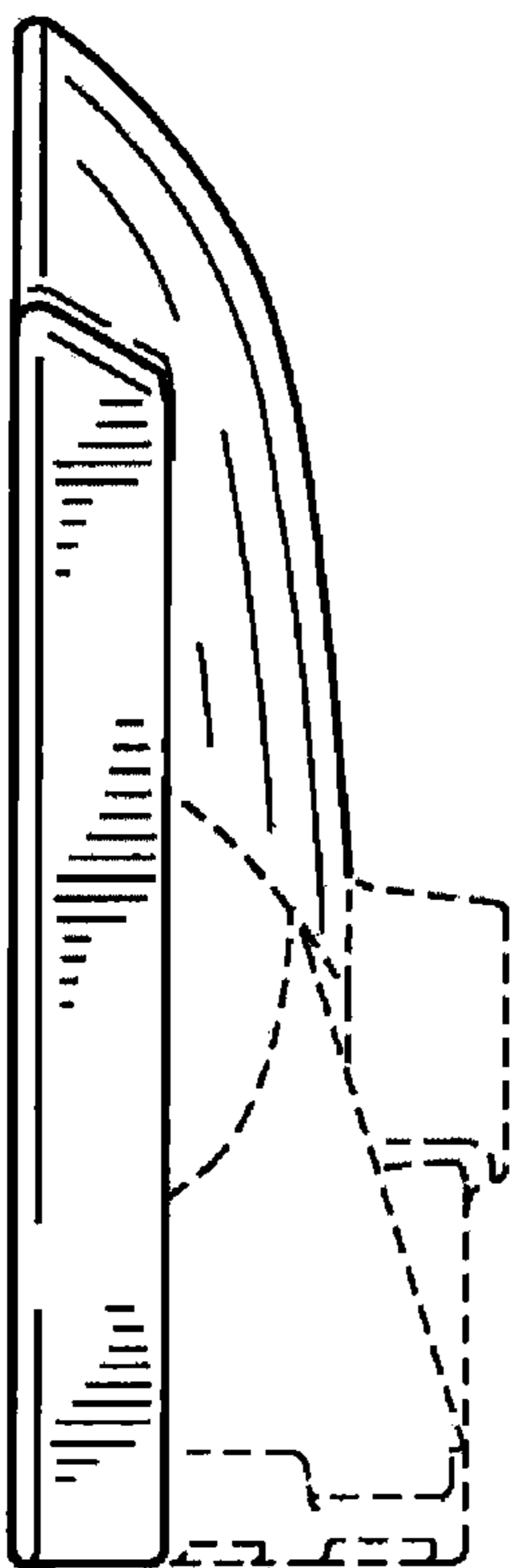


FIG. 10

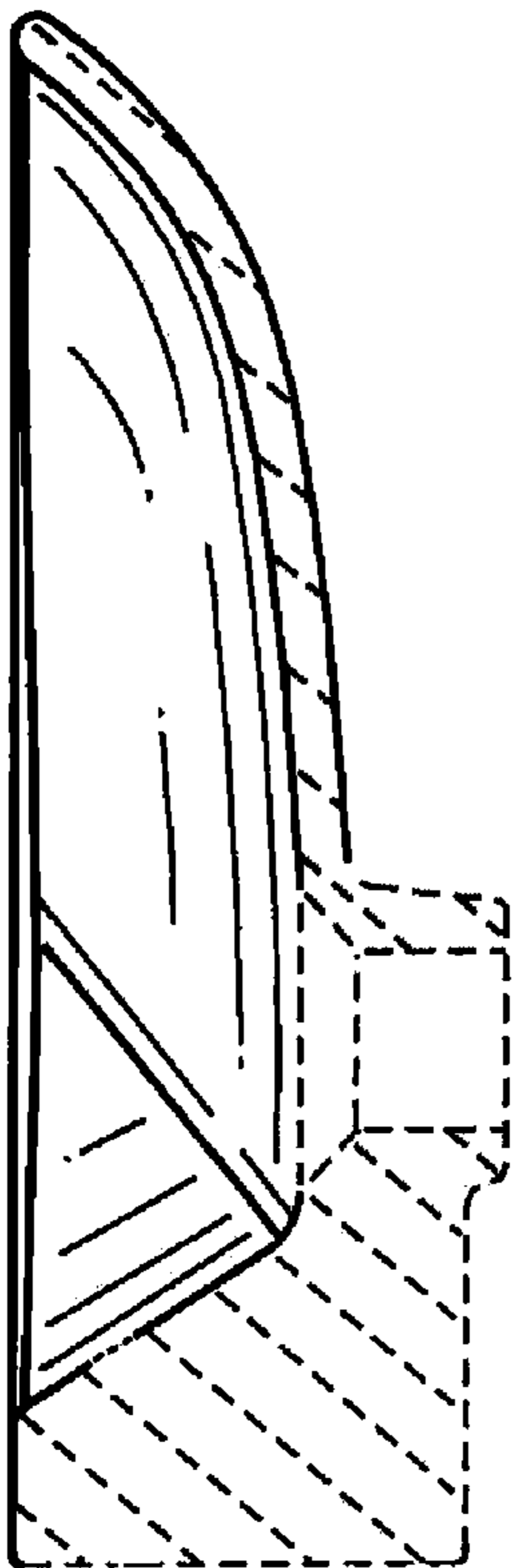


FIG. 14

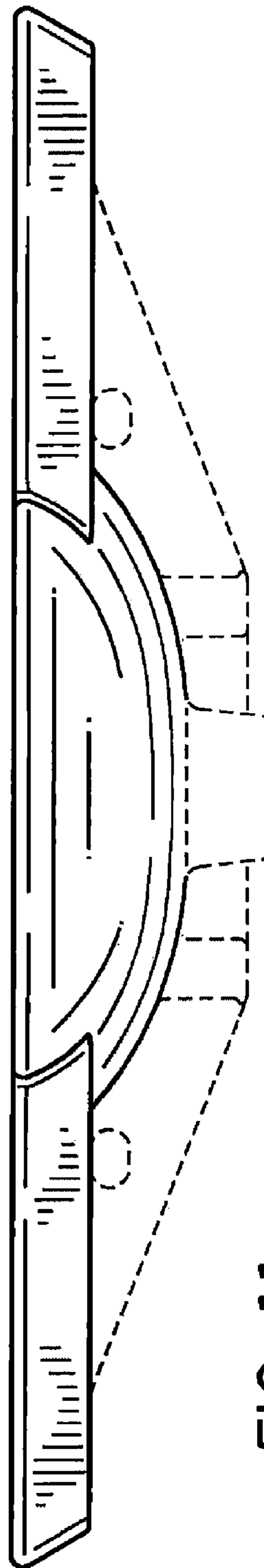


FIG. 11



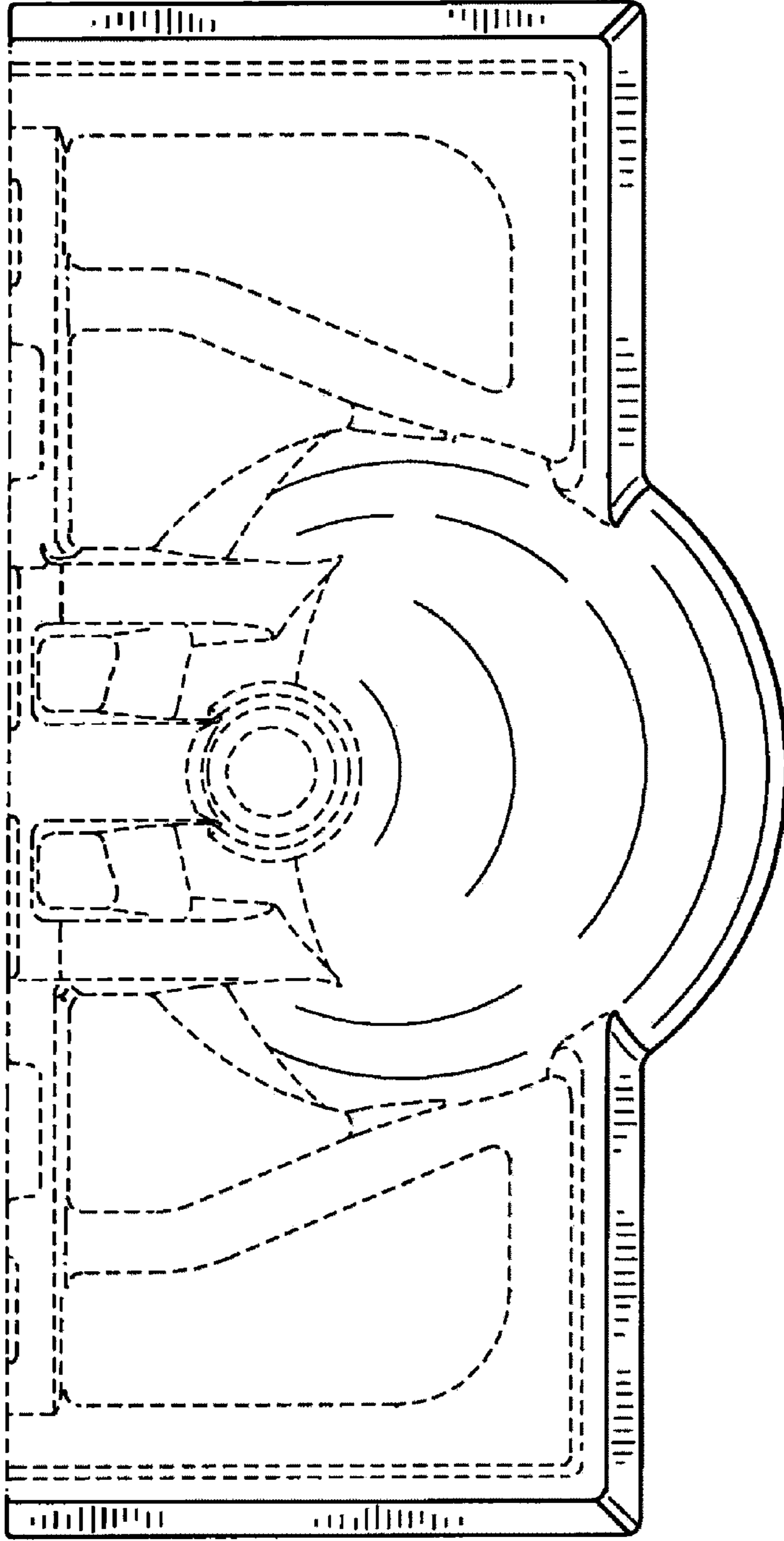


FIG. 12

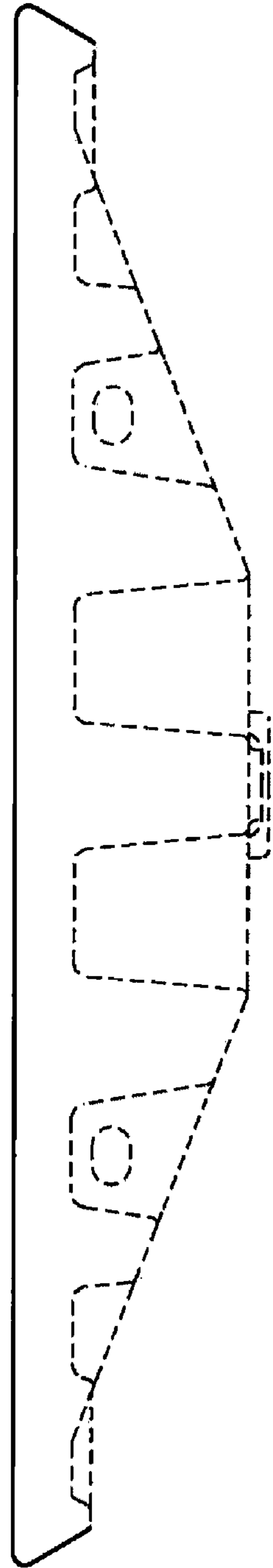


FIG. 13

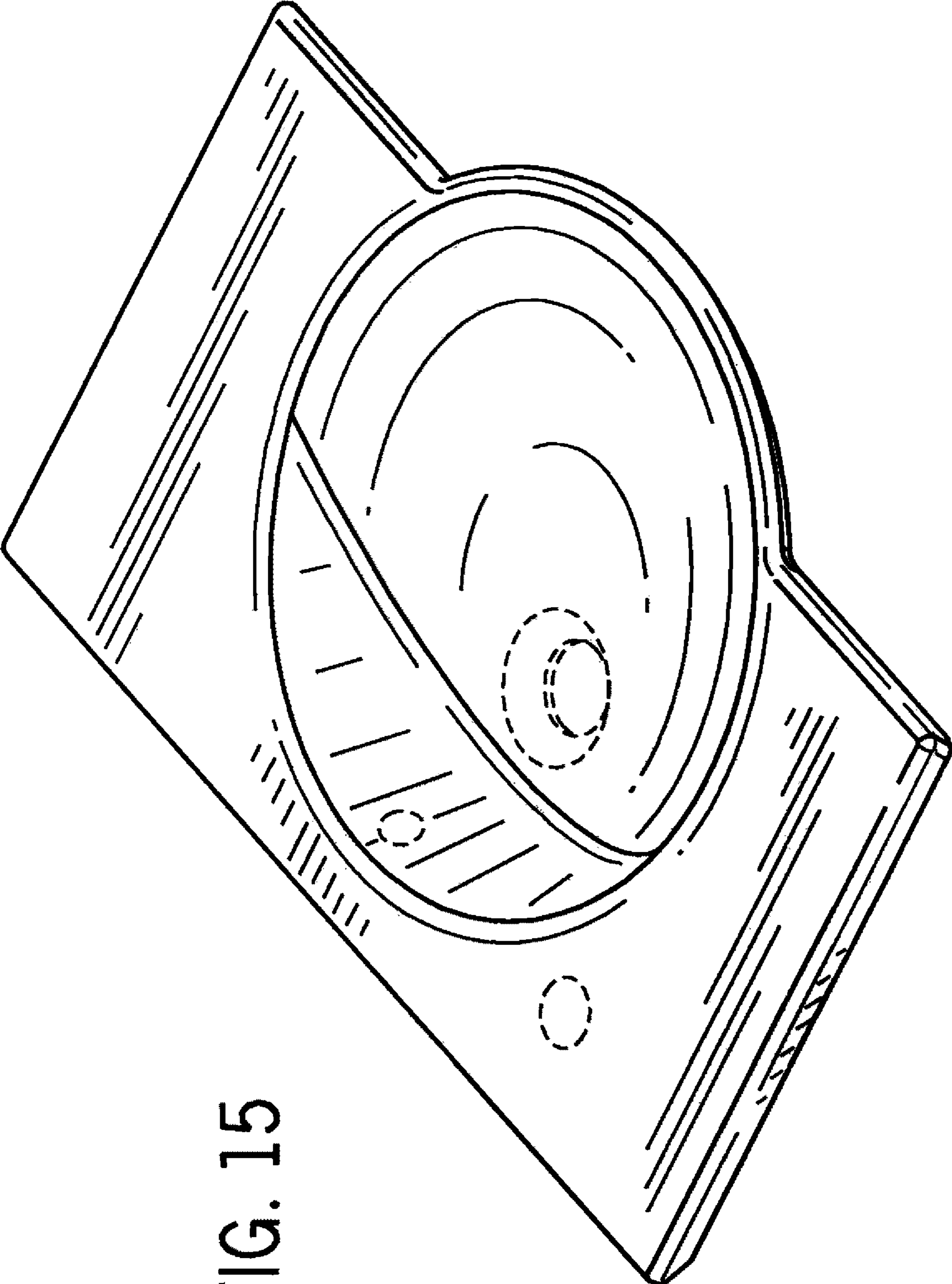


FIG. 15

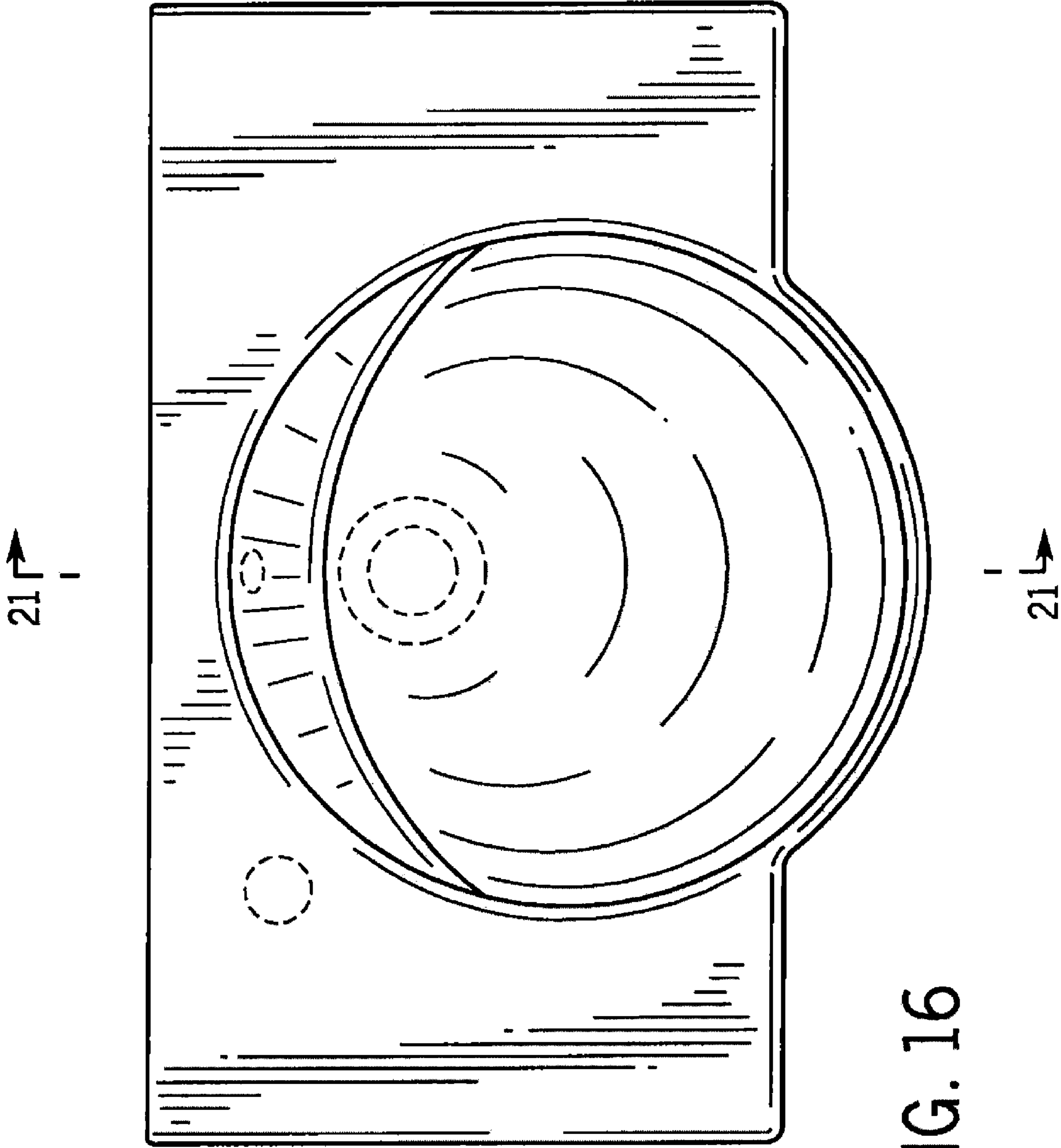


FIG. 16

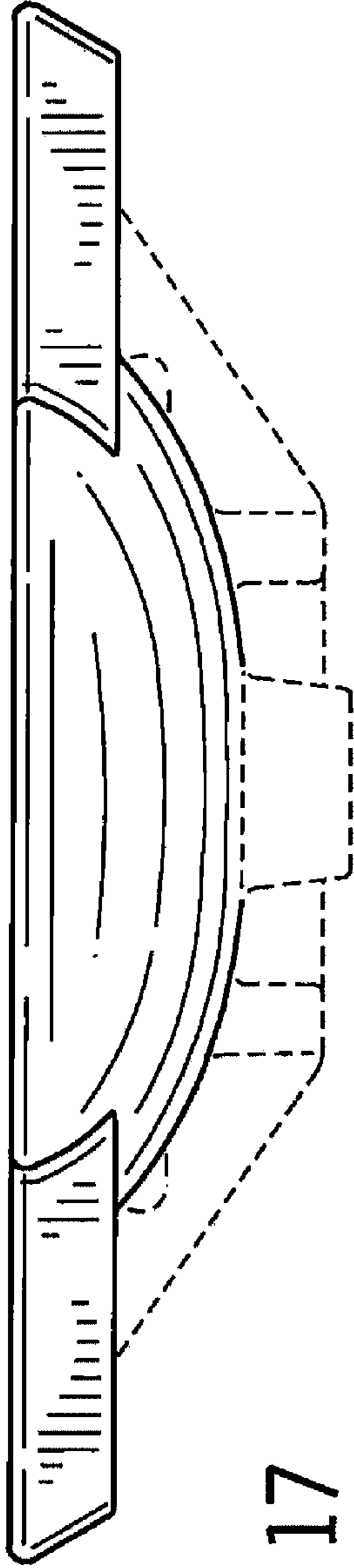


FIG. 17

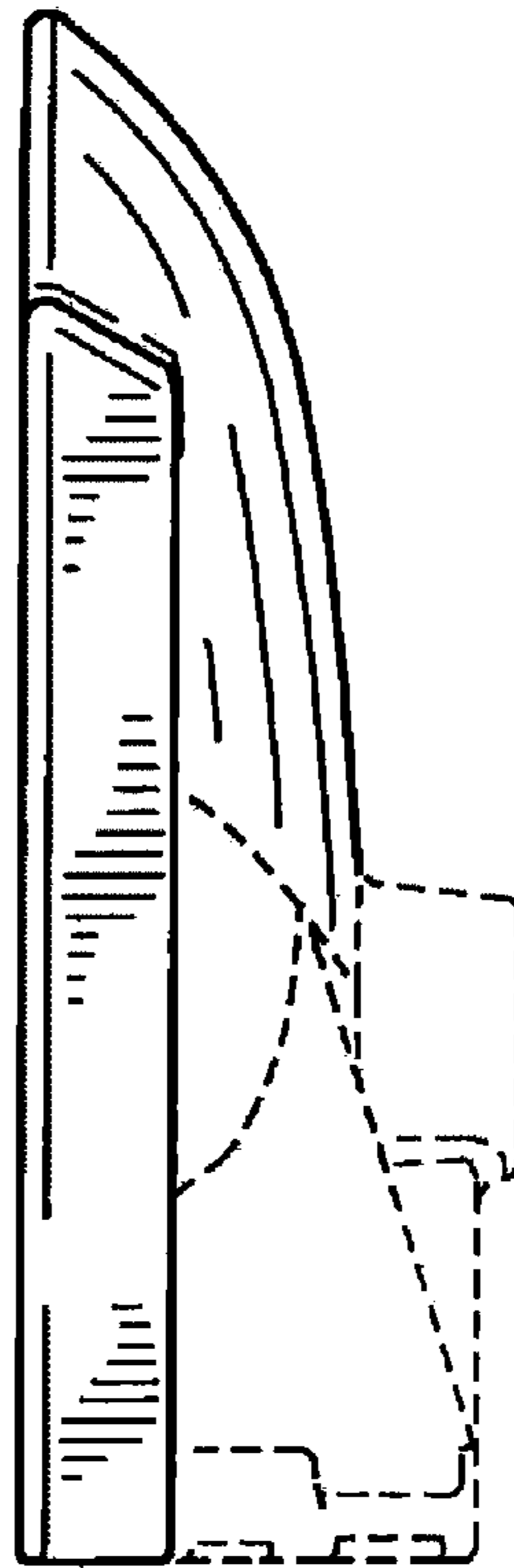


FIG. 18

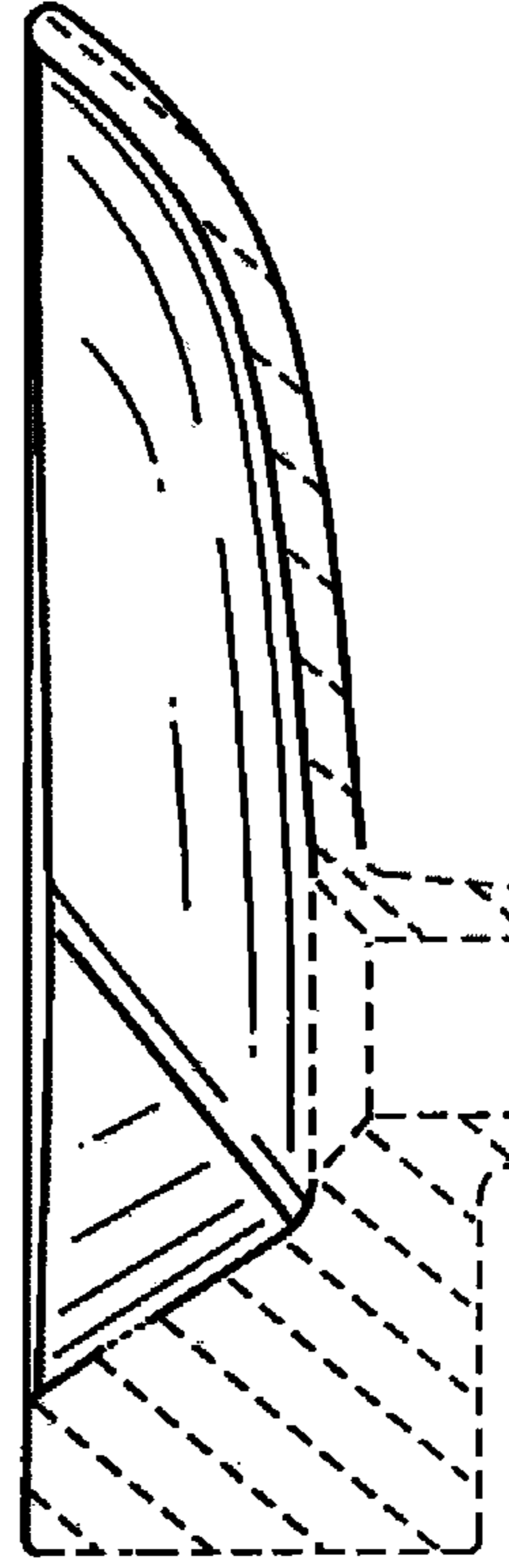


FIG. 21

FIG. 19

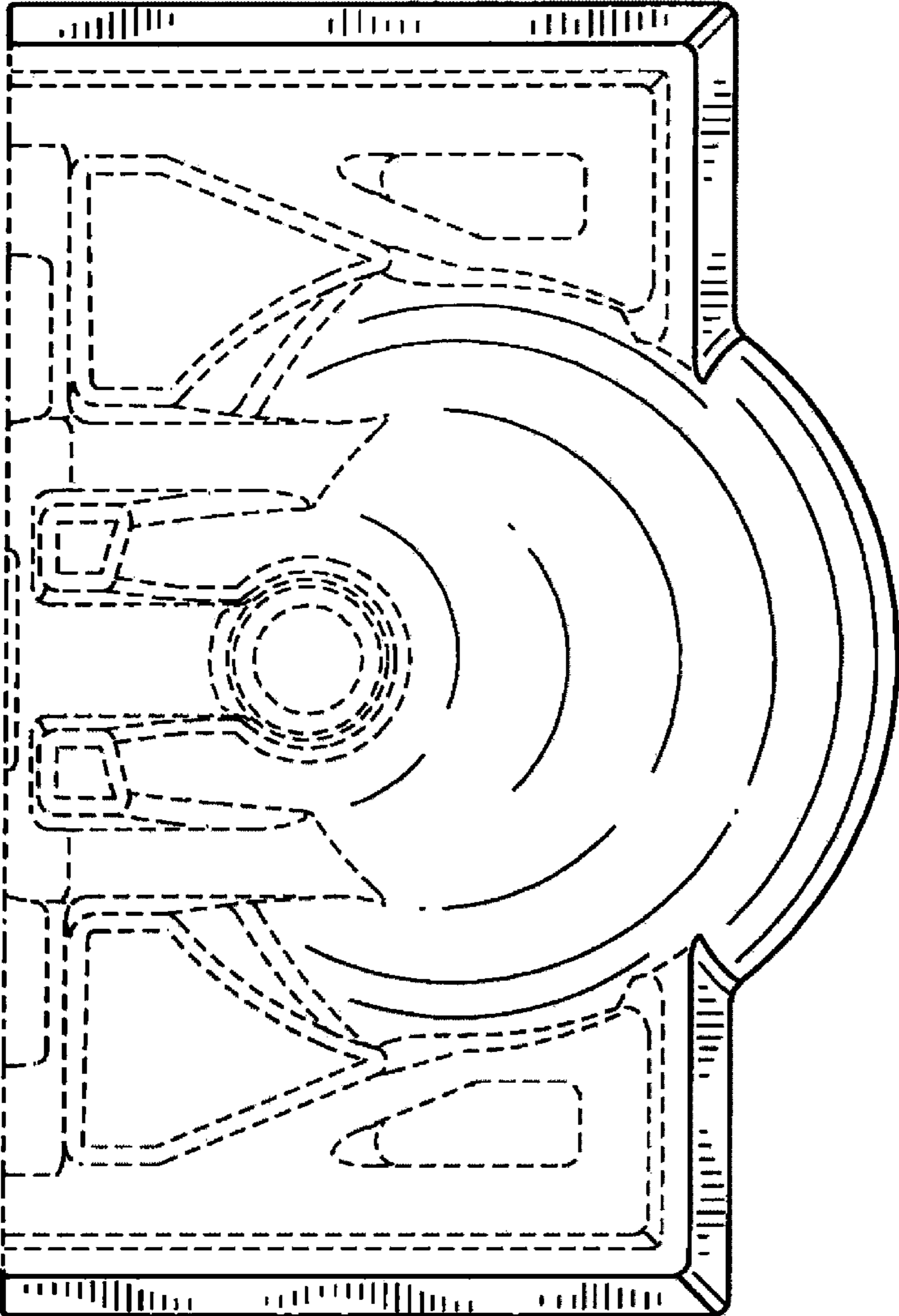


FIG. 20

