



US00D634821S

(12) **United States Design Patent**
Thomas

(10) **Patent No.:** **US D634,821 S**
(45) **Date of Patent:** **** Mar. 22, 2011**

(54) **SINK**
(75) **Inventor:** **Carter J. Thomas**, Branchburg, NJ (US)
(73) **Assignee:** **AS IP Holdco, L.L.C.**, Piscataway, NJ (US)
(**) **Term:** **14 Years**
(21) **Appl. No.:** **29/357,656**

D455,200 S * 4/2002 Marshall D23/284
D495,792 S * 9/2004 Sutopo D23/293.1
D507,040 S * 7/2005 Ferrer Beltran D23/284

* cited by examiner

Primary Examiner — Robert A Delehanty
(74) *Attorney, Agent, or Firm* — Flaster | Greenberg, P.C.

(22) **Filed:** **Mar. 16, 2010**
(51) **LOC (9) Cl.** **23-02**
(52) **U.S. Cl.** **D23/284**
(58) **Field of Classification Search** D23/284,
D23/292, 308, 293.1; 4/619, 646
See application file for complete search history.

(57) **CLAIM**
The ornamental design for a sink, as shown and described.

DESCRIPTION

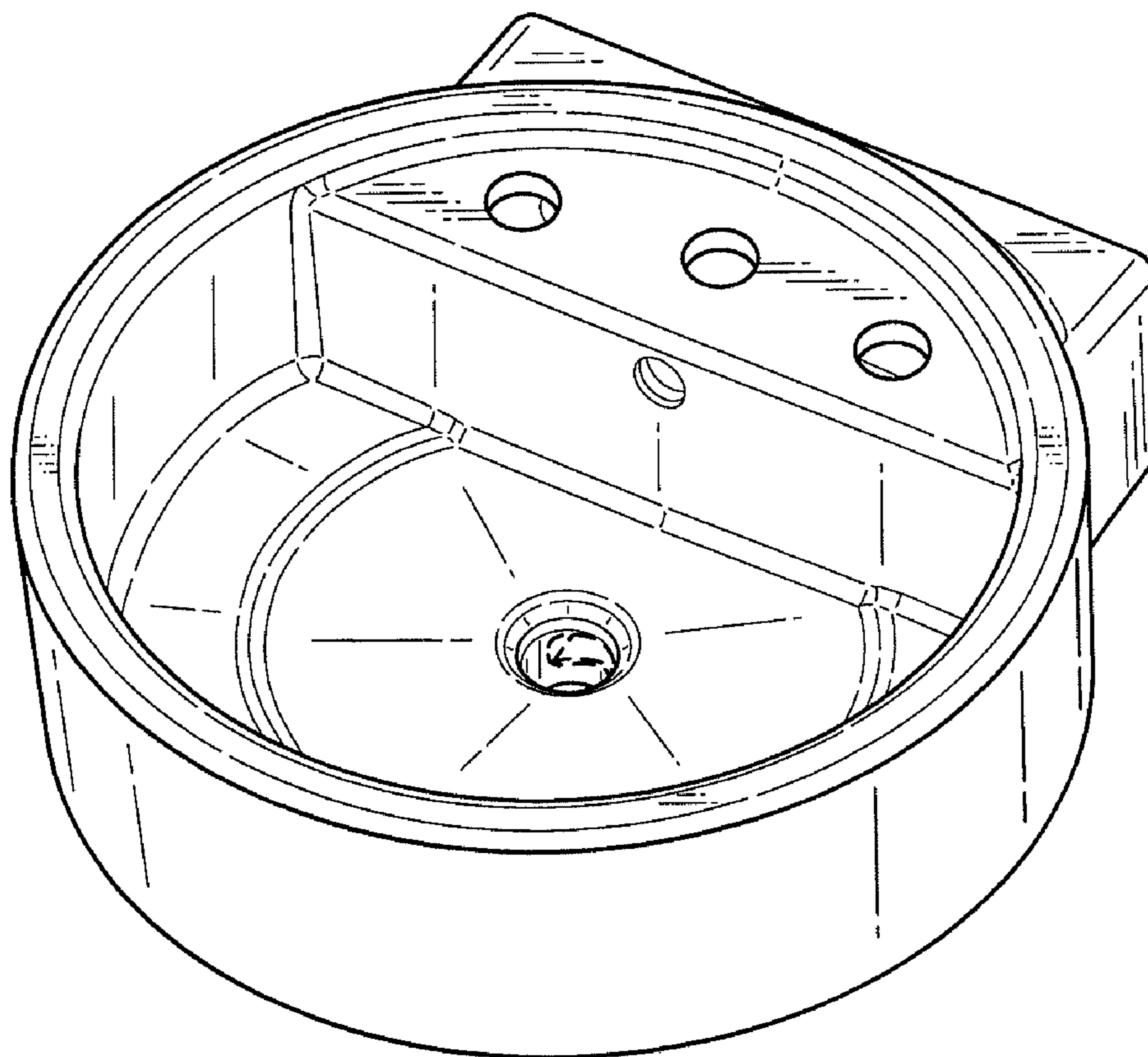
FIG. 1 is a perspective view of a sink;
FIG. 2 is a top plan view of the sink of FIG. 1;
FIG. 3 is a front view of the sink of FIG. 1;
FIG. 4 is a rear view of the sink of FIG. 1;
FIG. 5 is a bottom plan view of the sink of FIG. 1;
FIG. 6 is a right side view of the sink of FIG. 1; and,
FIG. 7 is a left side view of the sink of FIG. 1.
The broken lines showing the rear and bottom of the sink are included for the purpose of illustrating a portion of the sink that forms no part of the claimed design.

(56) **References Cited**

U.S. PATENT DOCUMENTS

D360,934 S * 8/1995 Bertoli D23/292
D428,476 S * 7/2000 Abolafia D23/284

1 Claim, 4 Drawing Sheets



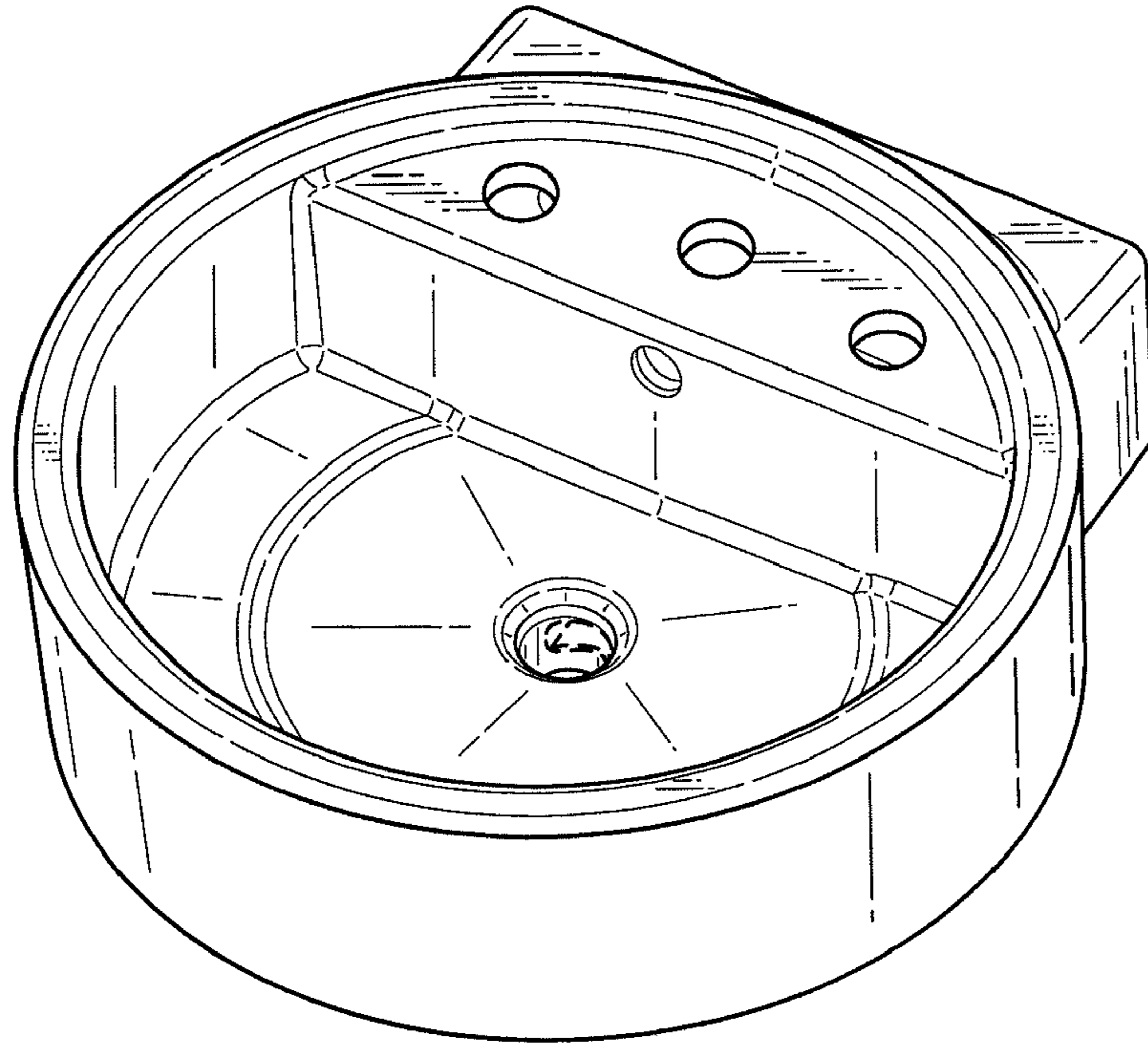


FIG. 1

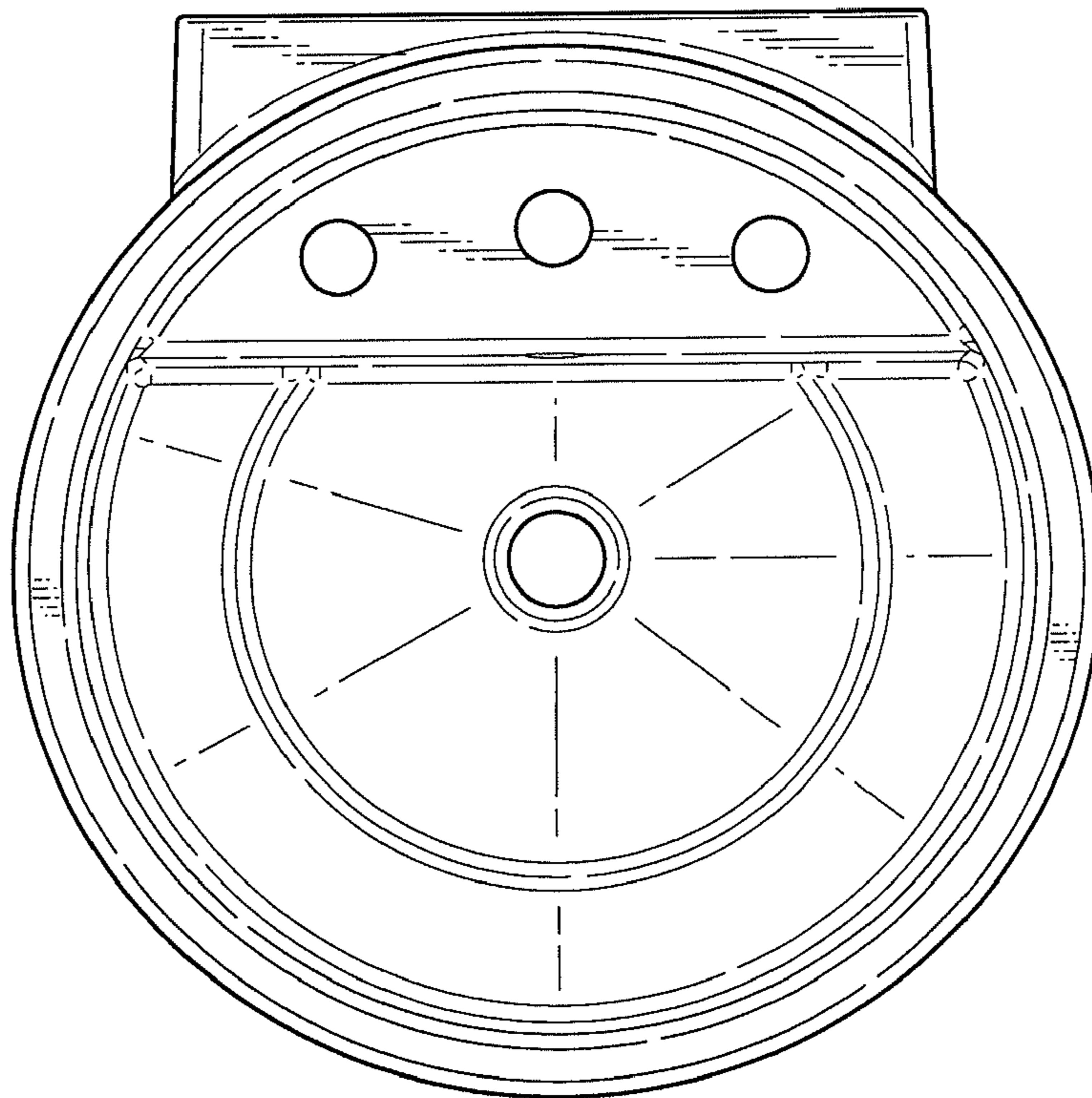


FIG. 2

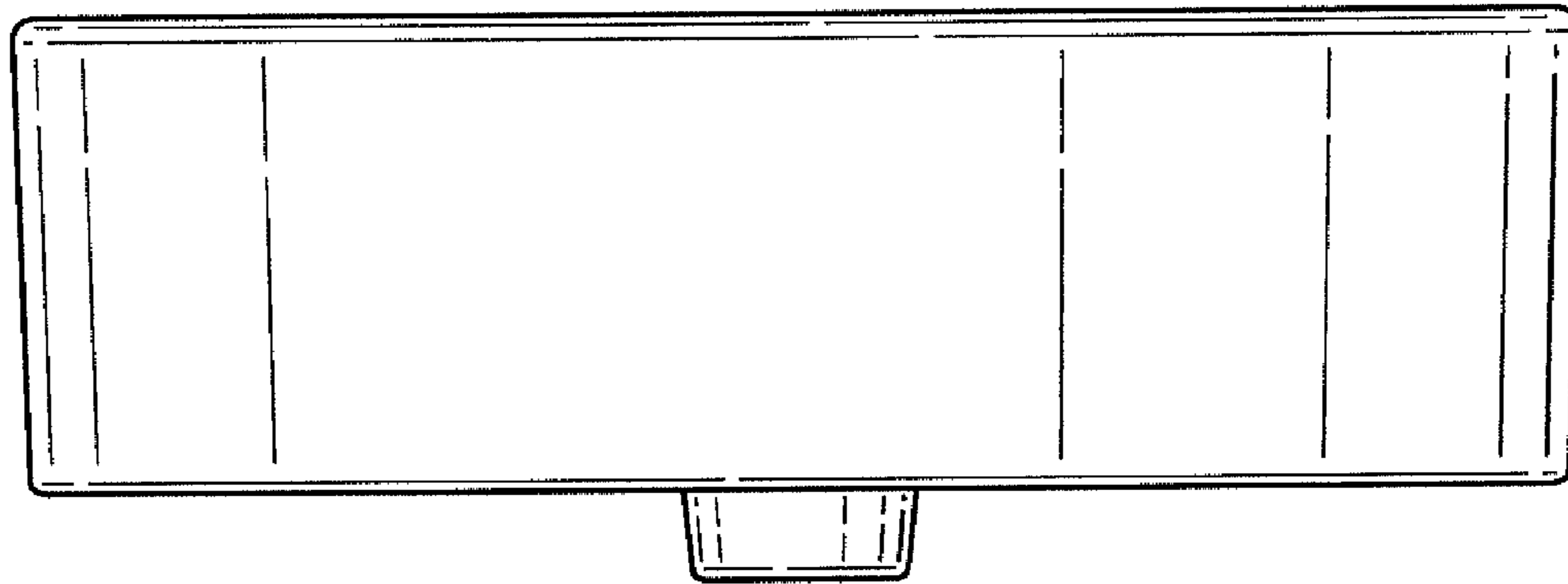


FIG. 3

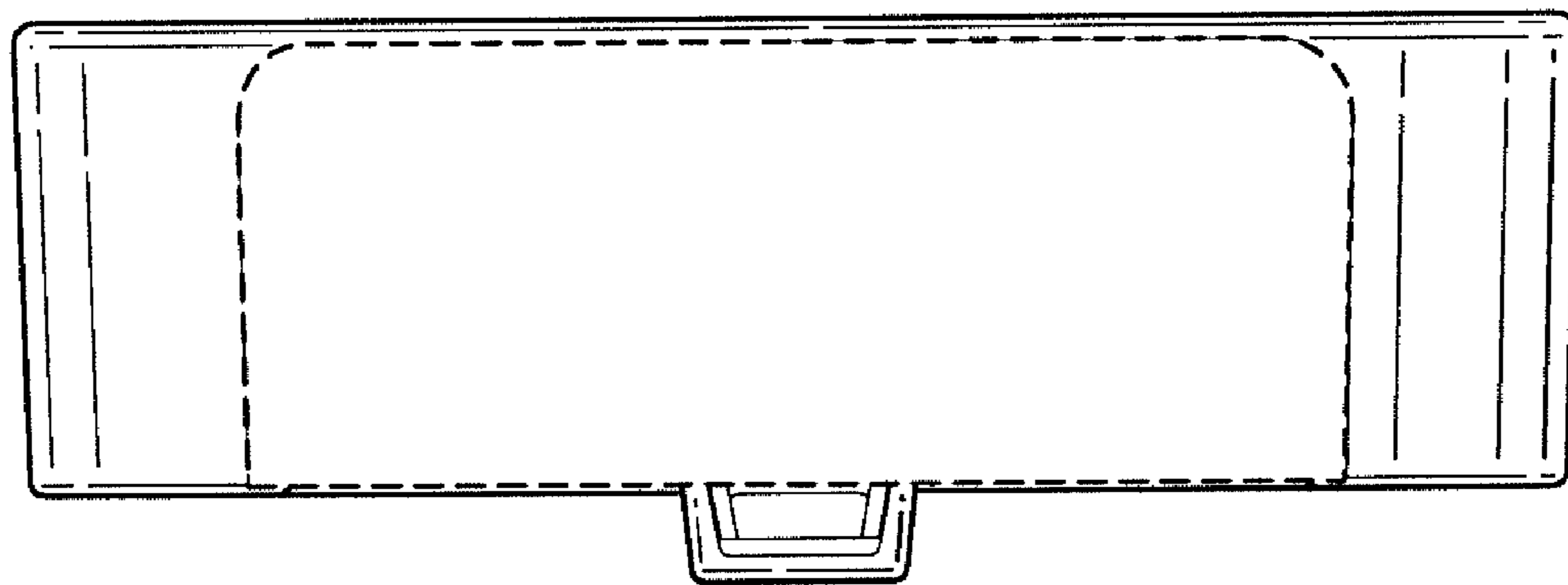


FIG. 4

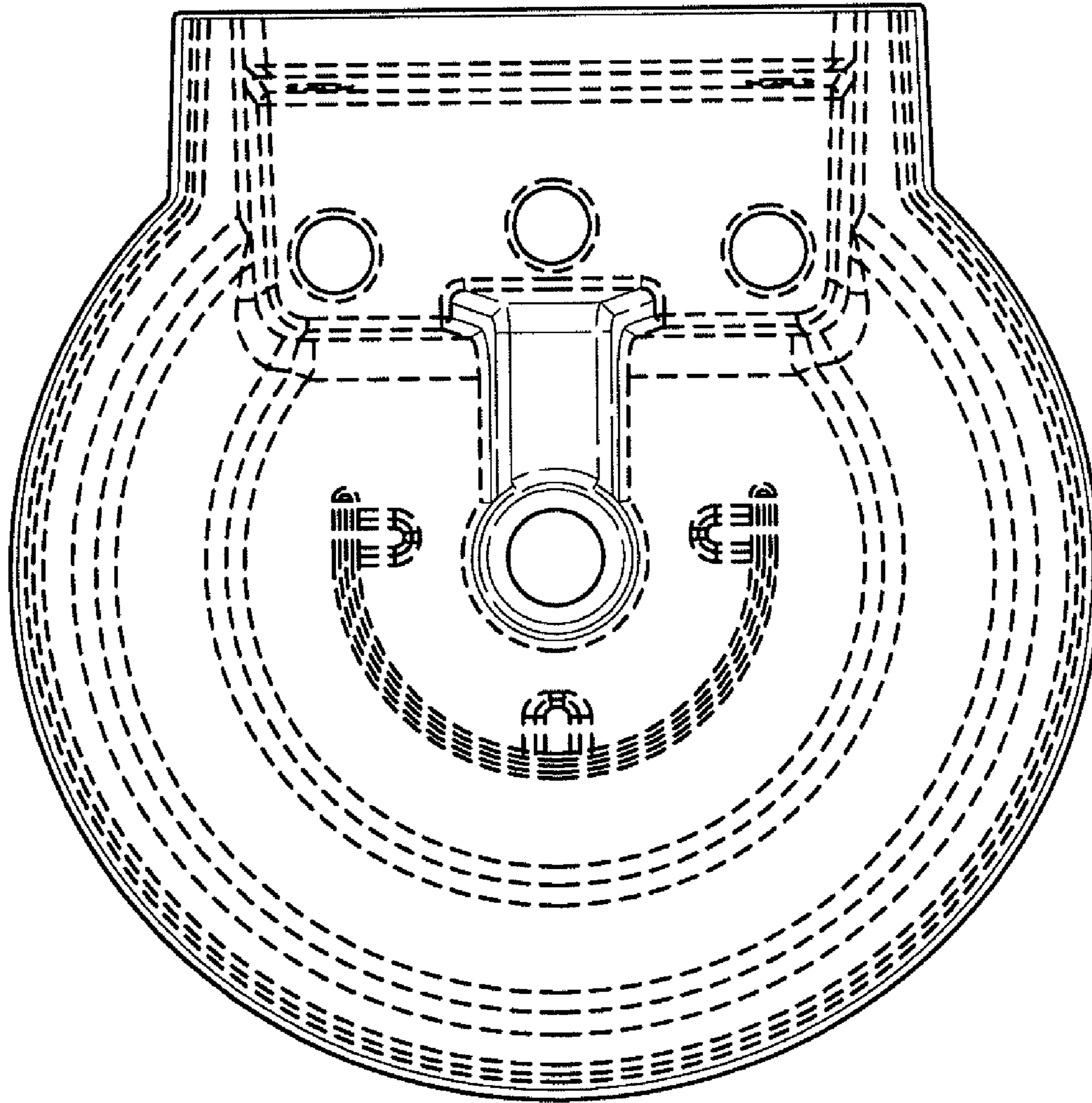


FIG. 5

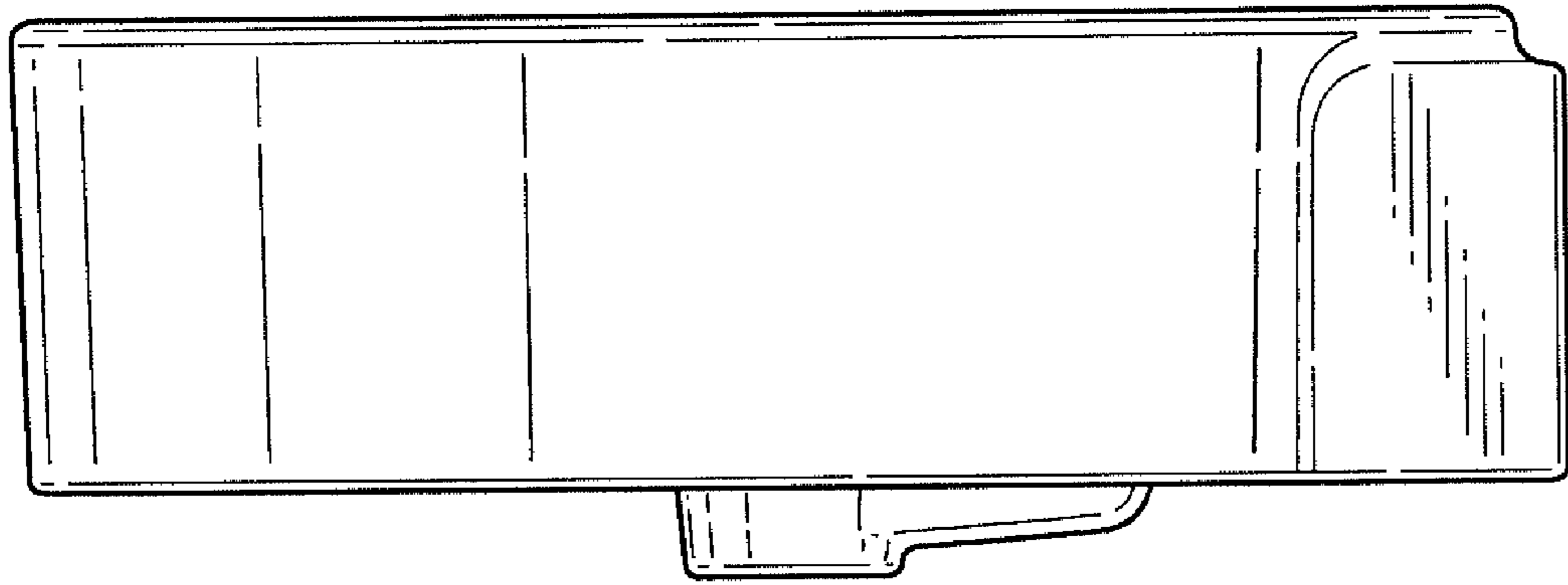


FIG. 6

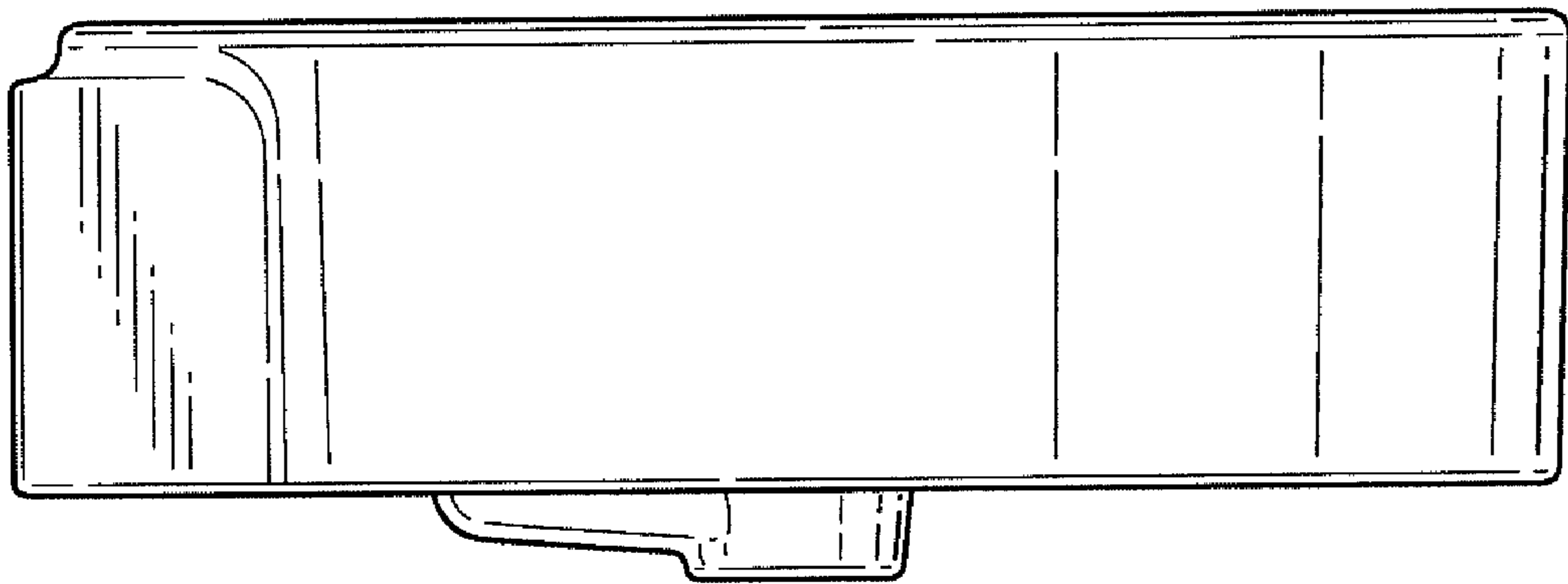


FIG. 7