



US00D634820S

(12) **United States Design Patent**
Leroyer

(10) **Patent No.:** **US D634,820 S**

(45) **Date of Patent:** **** Mar. 22, 2011**

(54) **JOINT FOR PIPES**

(75) Inventor: **Cyril Leroyer**, Montgermont (FR)

(73) Assignee: **Legris SAS**, Rennes (FR)

(**) Term: **14 Years**

(21) Appl. No.: **29/369,660**

(22) Filed: **Sep. 10, 2010**

(30) **Foreign Application Priority Data**

Mar. 17, 2010 (EM) 001682709-0001/0003

(51) **LOC (9) Cl.** **23-01**

(52) **U.S. Cl.** **D23/263**

(58) **Field of Classification Search** D23/259-263;
285/179, 179.1

See application file for complete search history.

(56) **References Cited**

U.S. PATENT DOCUMENTS

2,342,425	A *	2/1944	Parker	285/220
2,373,253	A *	4/1945	Martin	285/220
D166,650	S *	4/1952	Warren	D23/263
2,777,714	A *	1/1957	Lamphere	285/98
D258,983	S *	4/1981	Gallagher et al.	D23/263
4,288,103	A *	9/1981	Gallagher et al.	285/39
D291,481	S *	8/1987	Vassallo et al.	D23/263
D296,816	S *	7/1988	Budzinski et al.	D23/263
4,774,940	A *	10/1988	Linder	128/204.18
D434,834	S *	12/2000	Goto	D23/262
D480,787	S *	10/2003	Wilk et al.	D23/263

D481,447	S *	10/2003	Dole et al.	D23/263
D482,103	S *	11/2003	Snyder et al.	D23/263
D517,666	S *	3/2006	Wilk et al.	D23/262
D523,123	S *	6/2006	Wilk et al.	D23/262
D597,636	S *	8/2009	Choi	D23/263
D613,826	S *	4/2010	Hall et al.	D23/259
D615,631	S *	5/2010	Price et al.	D23/263
D627,863	S *	11/2010	Ball	D23/262

* cited by examiner

Primary Examiner — T. Chase Nelson

Assistant Examiner — Eric L Goodman

(74) *Attorney, Agent, or Firm* — Muncy, Geissler, Olds & Lowe, PLLC

(57) **CLAIM**

The ornamental design for a joint for pipes, as shown and described.

DESCRIPTION

FIG. 1 is a front, right perspective view of a joint for pipes showing my new design;

FIG. 2 is a front elevational view of the joint for pipes;

FIG. 3 is a rear elevational view of the joint for pipes;

FIG. 4 is a right side view of the joint for pipes;

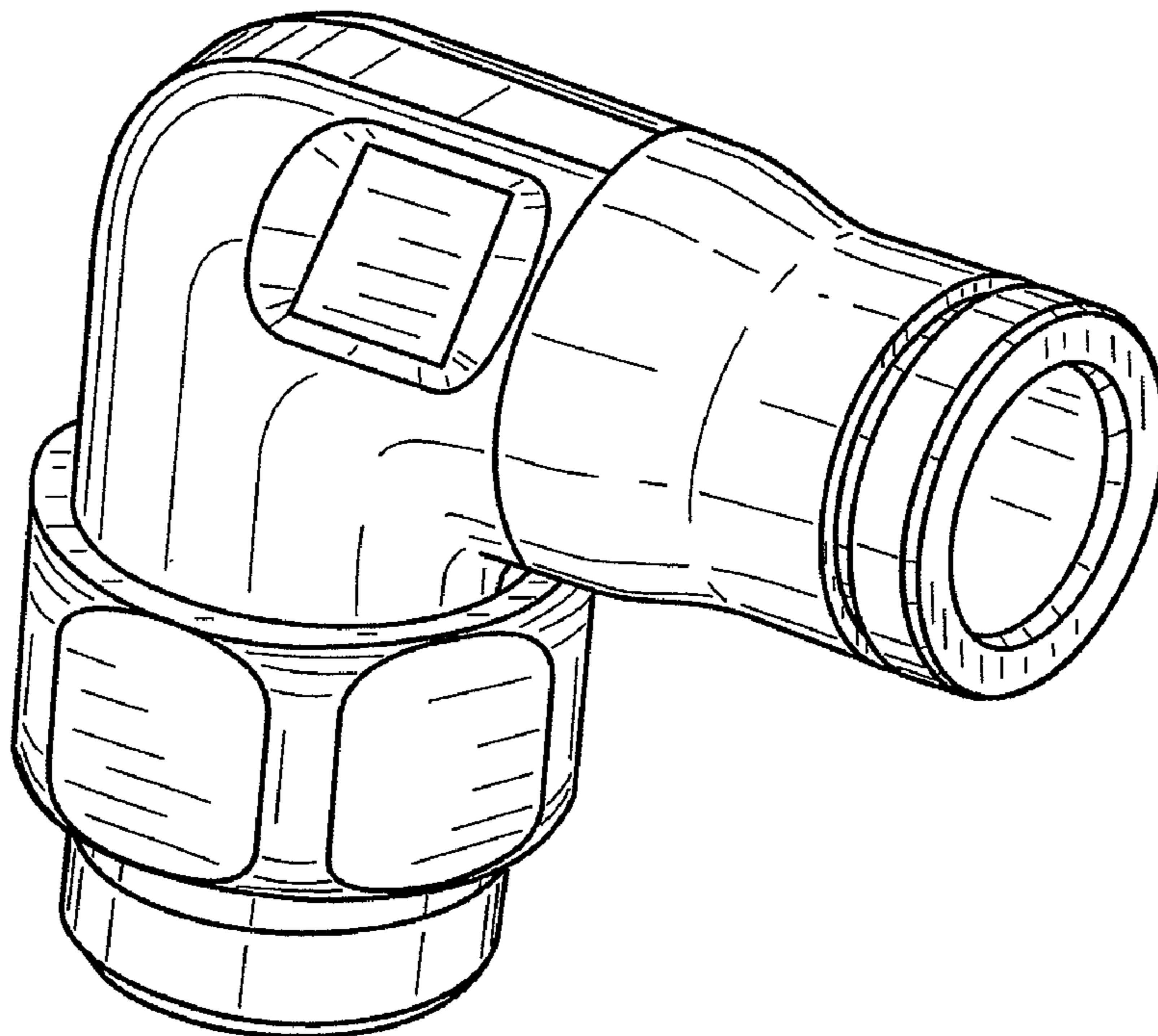
FIG. 5 is a left side view of the joint for pipes;

FIG. 6 is a top plan view of the joint for pipes; and,

FIG. 7 is a bottom plan view of the joint for pipes.

The broken line showing is included for the purpose of illustrating portions of the article and forms no part of the claimed design.

1 Claim, 7 Drawing Sheets



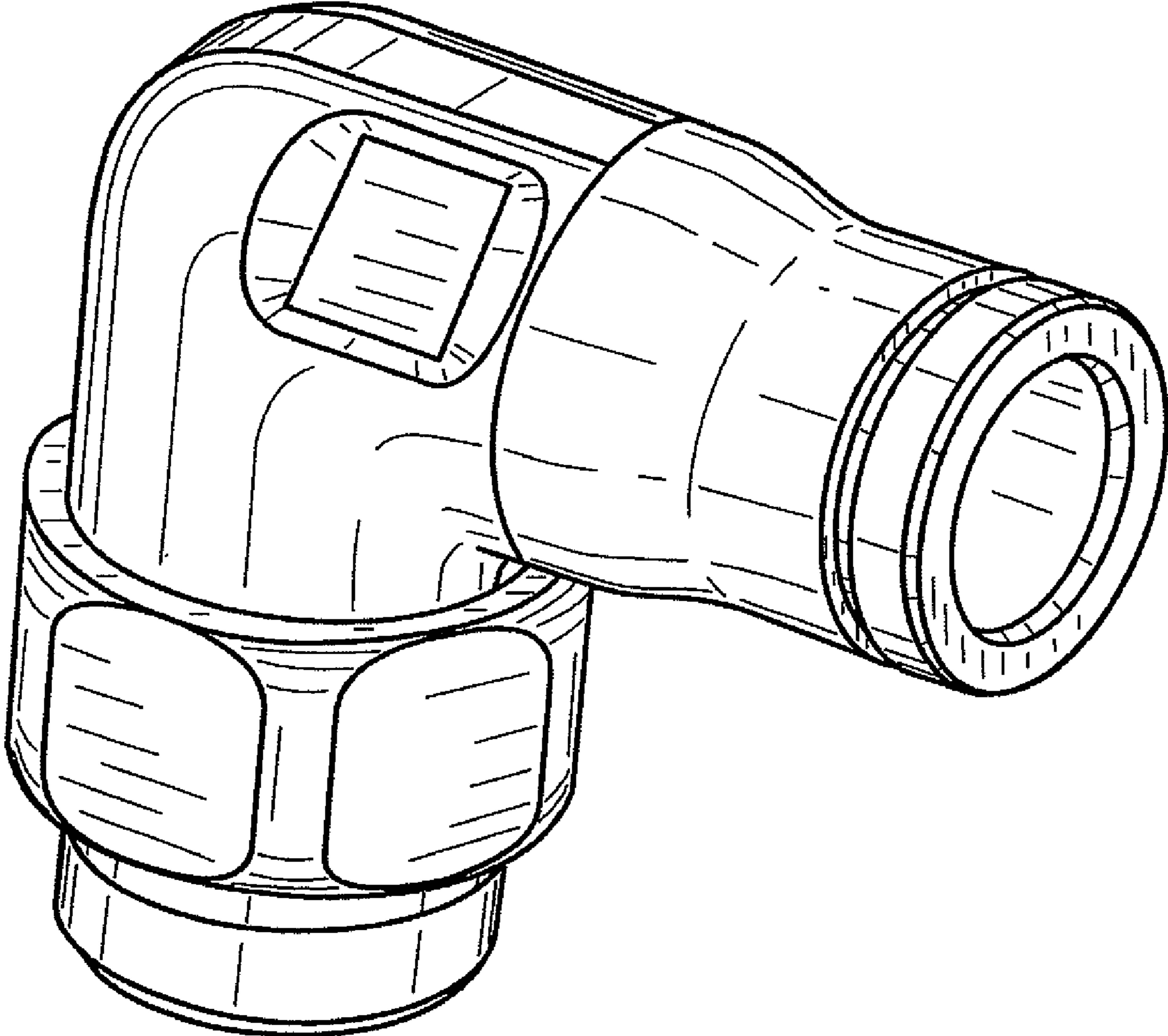


FIG. 1

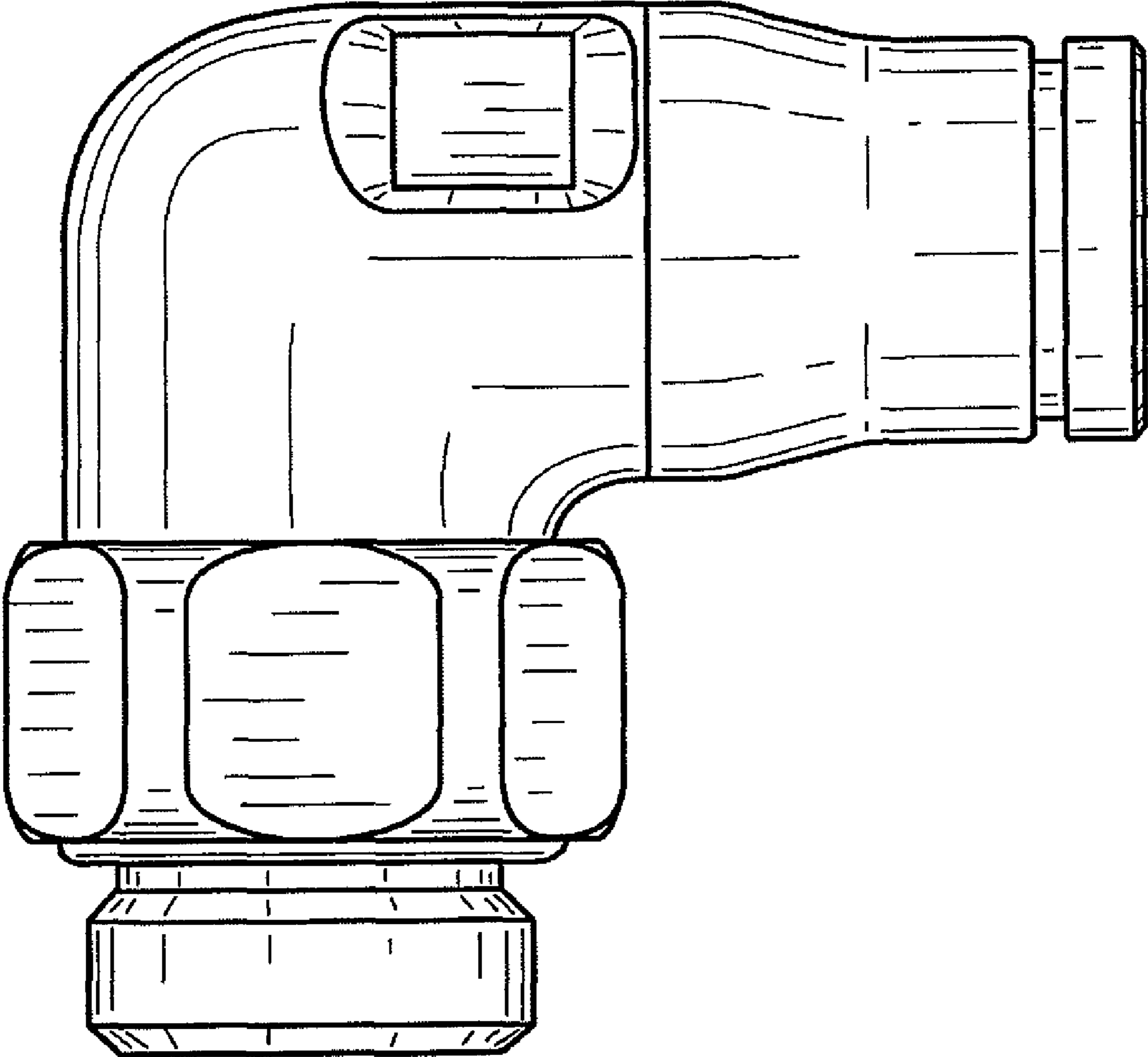


FIG. 2

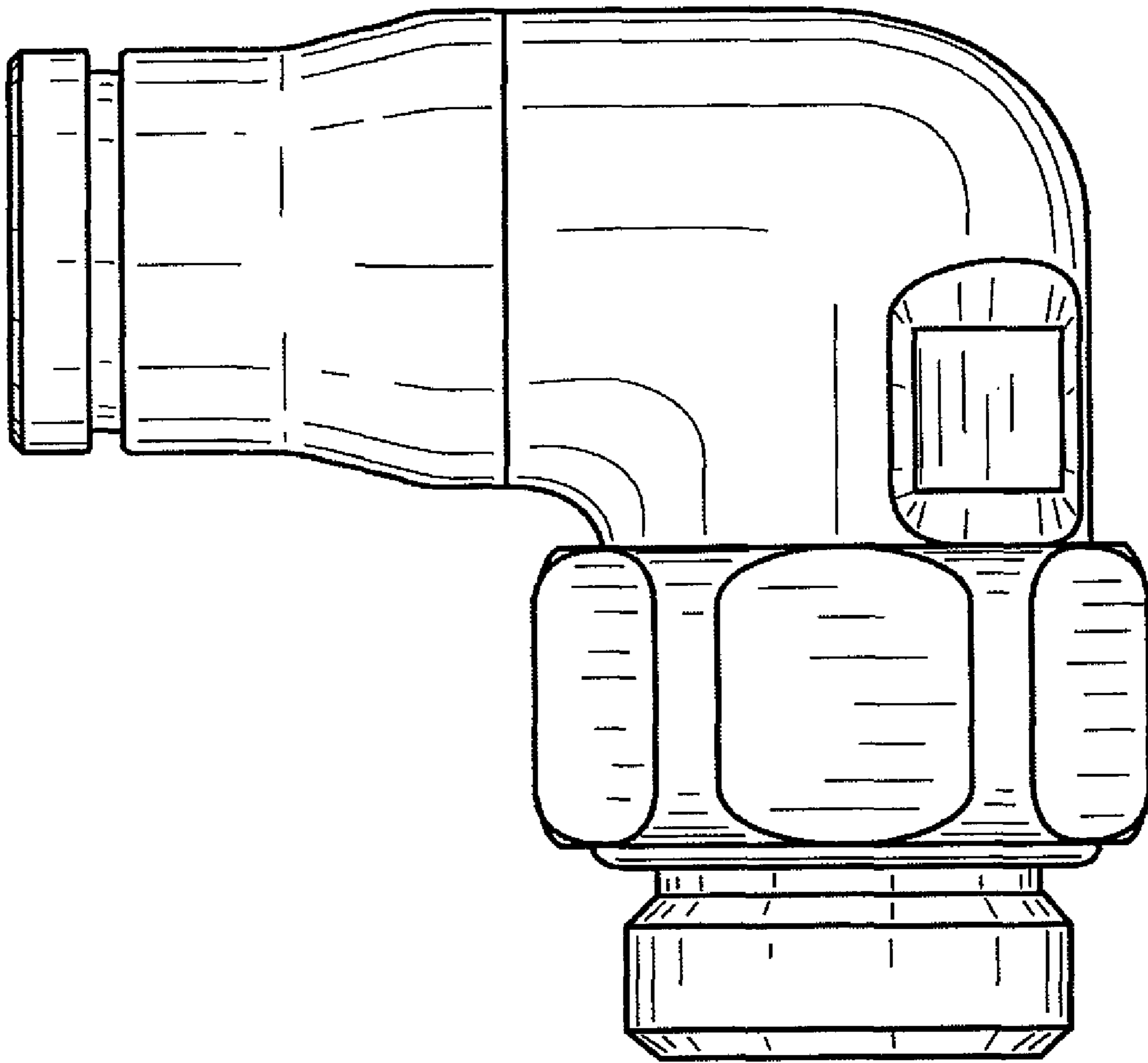


FIG. 3

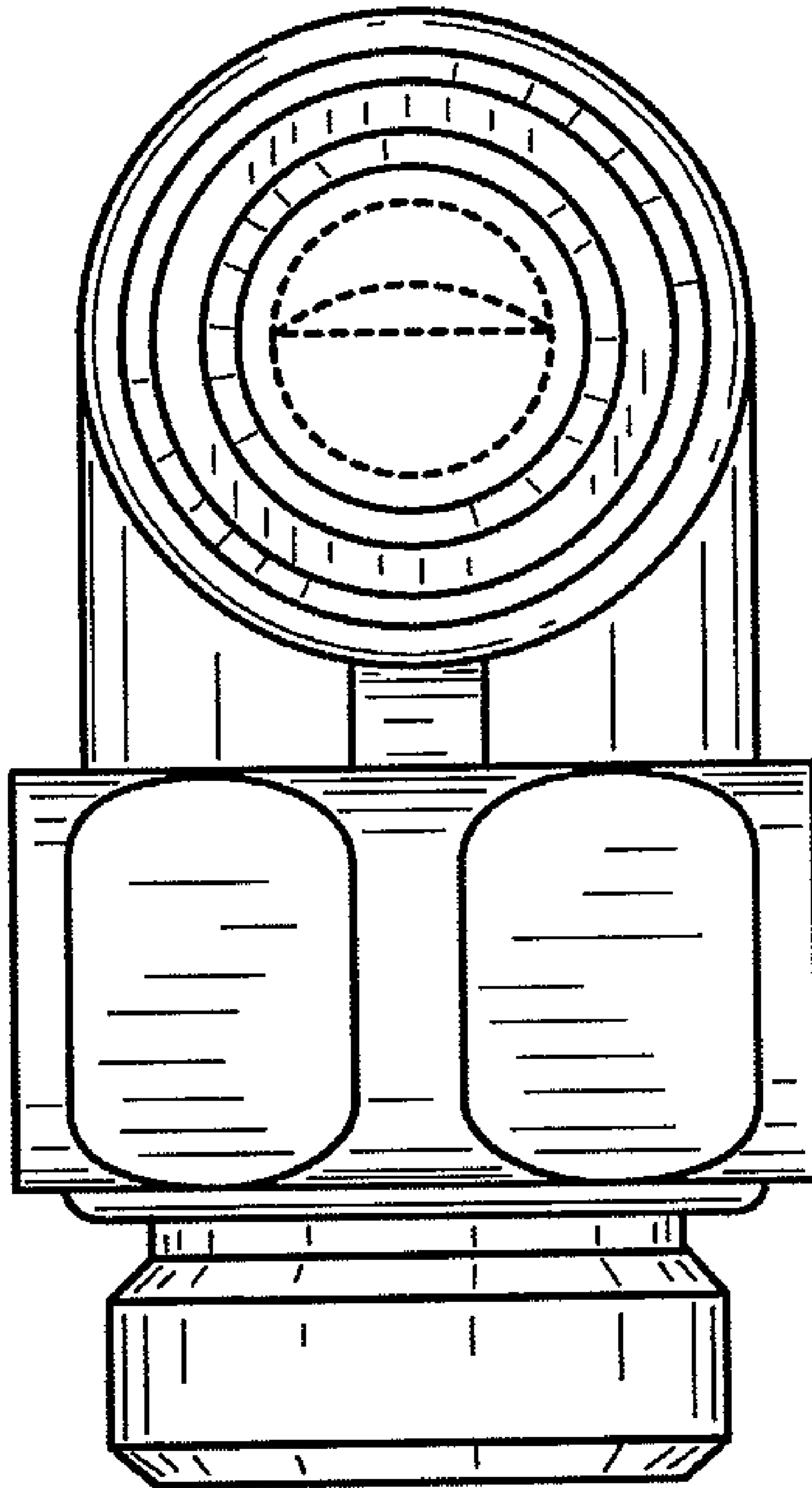


FIG. 4

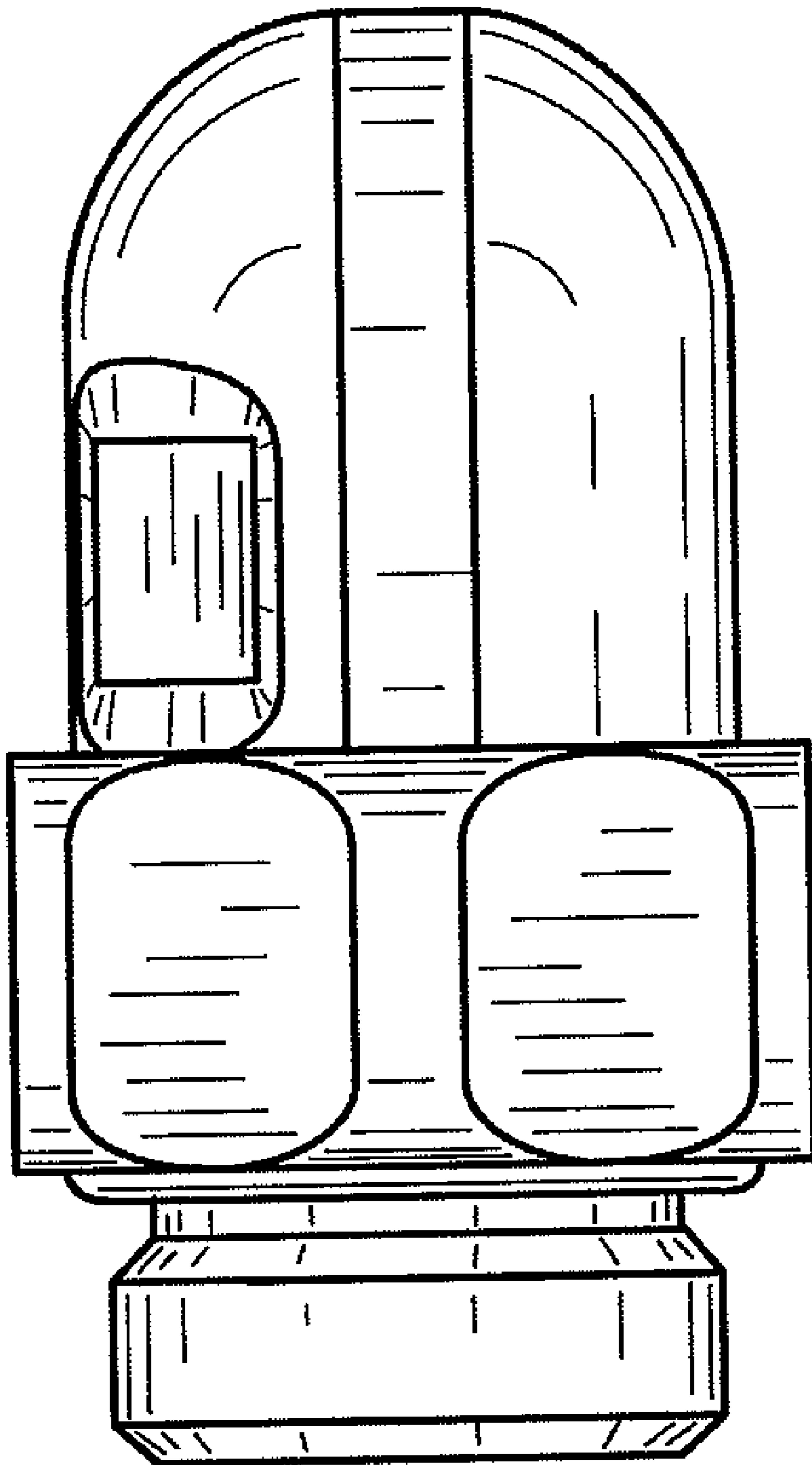


FIG. 5

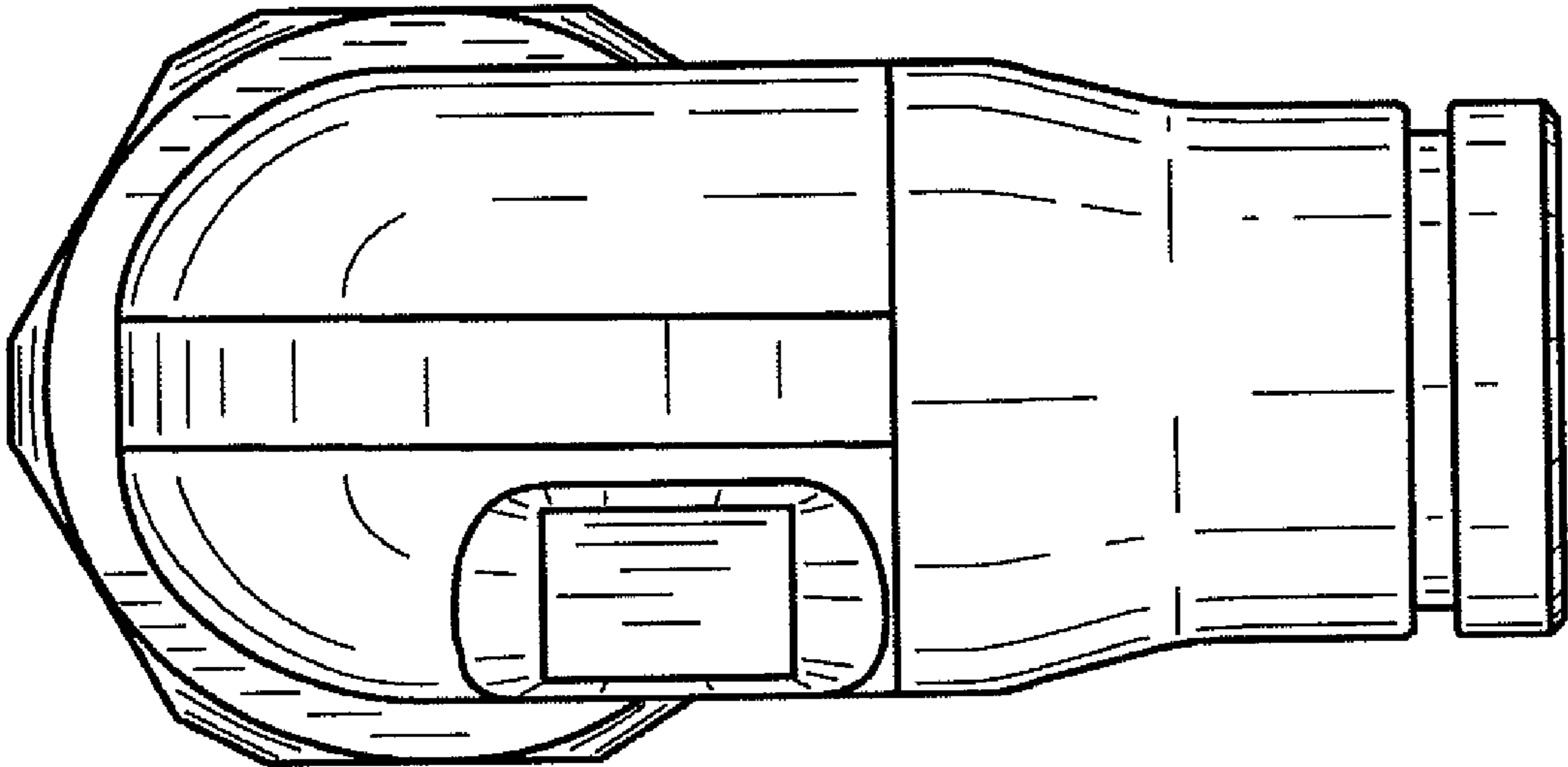


FIG. 6

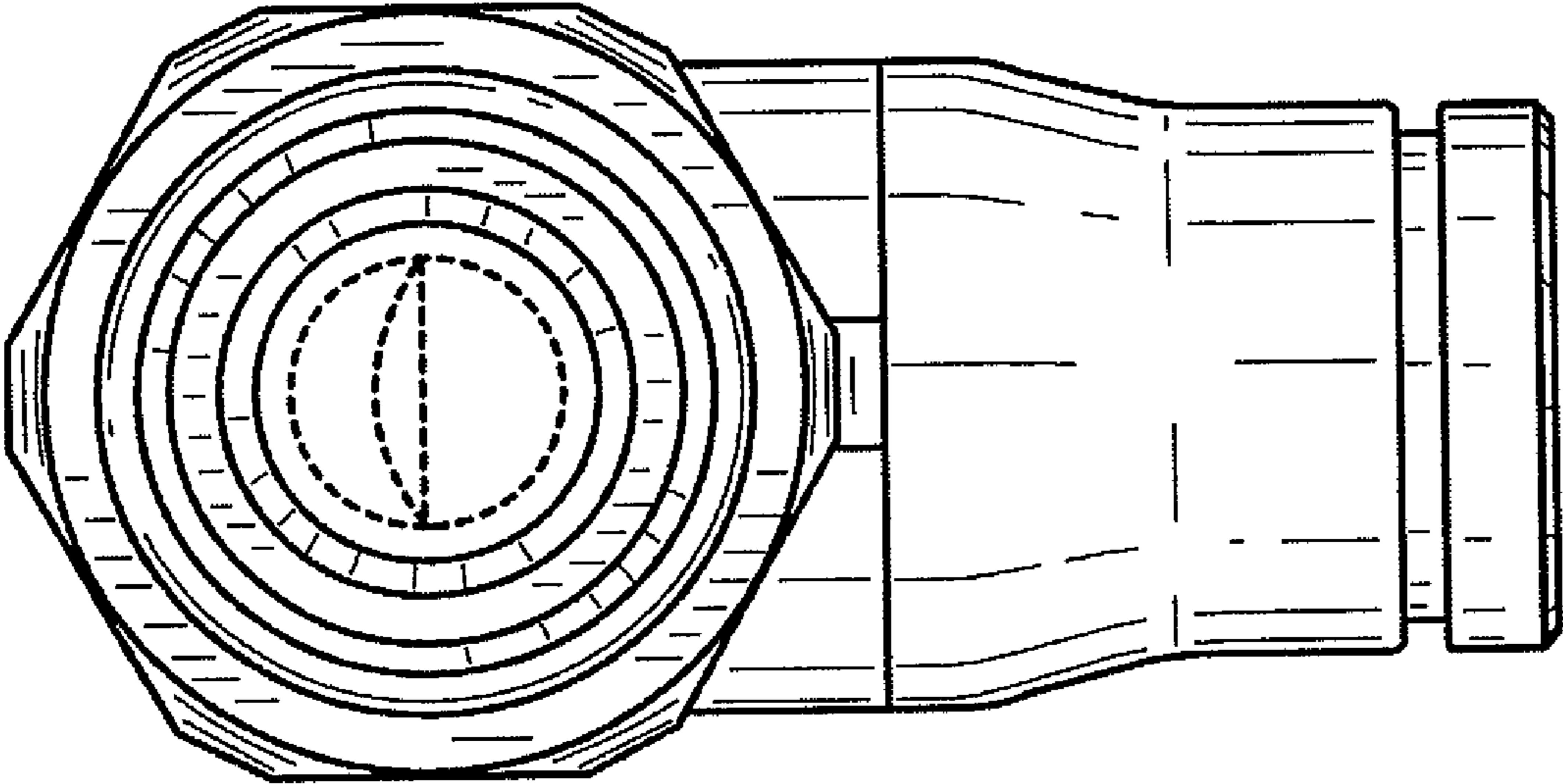


FIG. 7