



US00D634819S

(12) **United States Design Patent**
Leroyer

(10) **Patent No.:** **US D634,819 S**

(45) **Date of Patent:** **** Mar. 22, 2011**

(54) **JOINT FOR PIPES**

(75) **Inventor:** **Cyril Leroyer, Montgermont (FR)**

(73) **Assignee:** **Legris SAS, Rennes (FR)**

(**) **Term:** **14 Years**

(21) **Appl. No.:** **29/369,656**

(22) **Filed:** **Sep. 10, 2010**

(30) **Foreign Application Priority Data**

Mar. 17, 2010 (EM) 001682709-0001/0003

(51) **LOC (9) Cl.** **23-01**

(52) **U.S. Cl.** **D23/263**

(58) **Field of Classification Search** D23/259-263;
285/133.11, 133.3, 133.21, 133.4-133.6

See application file for complete search history.

(56) **References Cited**

U.S. PATENT DOCUMENTS

1,840,414	A *	1/1932	Schulte	285/289.5
3,711,633	A *	1/1973	Ghirardi et al.	174/135
3,820,826	A *	6/1974	Ligon et al.	285/55
4,070,044	A *	1/1978	Carrow	285/133.11
D291,480	S *	8/1987	Vassallo et al.	D23/263
D389,562	S *	1/1998	Picton	D23/263
D480,786	S *	10/2003	Wilk et al.	D23/263

D481,109	S *	10/2003	Dole et al.	D23/263
D481,110	S *	10/2003	Snyder et al.	D23/263
D516,686	S *	3/2006	Wilk et al.	D23/262
D517,176	S *	3/2006	Wilk et al.	D23/262
D597,182	S *	7/2009	Choi	D23/263

* cited by examiner

Primary Examiner — T. Chase Nelson

Assistant Examiner — Eric L Goodman

(74) *Attorney, Agent, or Firm* — Muncy, Geissler, Olds, & Lowe, PLLC

(57) **CLAIM**

The ornamental design for a joint for pipes, as shown and described.

DESCRIPTION

FIG. 1 is a front, right perspective view of a joint for pipes showing my new design;

FIG. 2 is a front elevational view of the joint for pipes;

FIG. 3 is a rear elevational view of the joint for pipes;

FIG. 4 is a right side view of the joint for pipes;

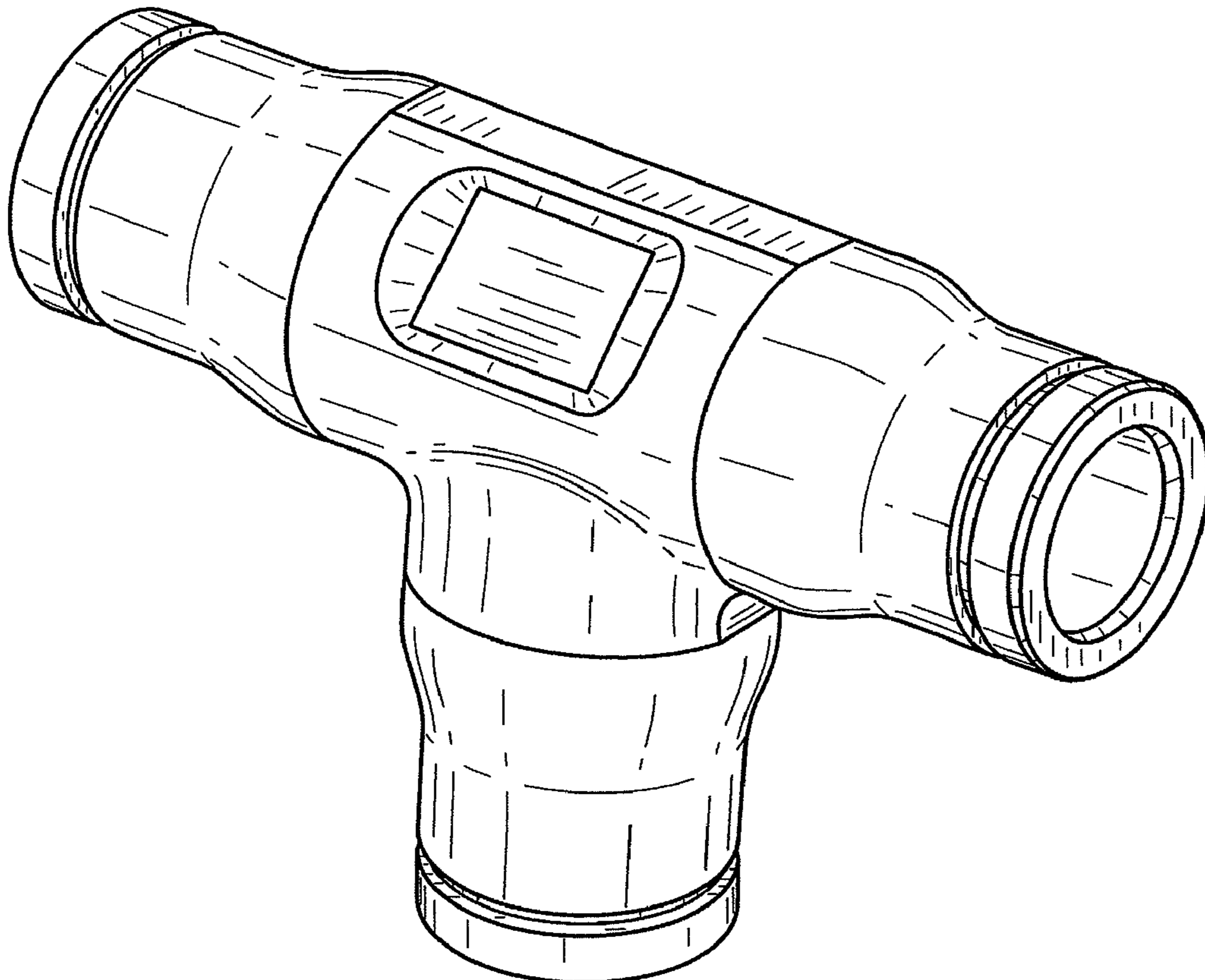
FIG. 5 is a left side view of the joint for pipes;

FIG. 6 is a top plan view of the joint for pipes; and,

FIG. 7 is a bottom plan view of the joint for pipes.

The broken line showing is included for the purpose of illustrating portions of the article and forms no part of the claimed design.

1 Claim, 7 Drawing Sheets



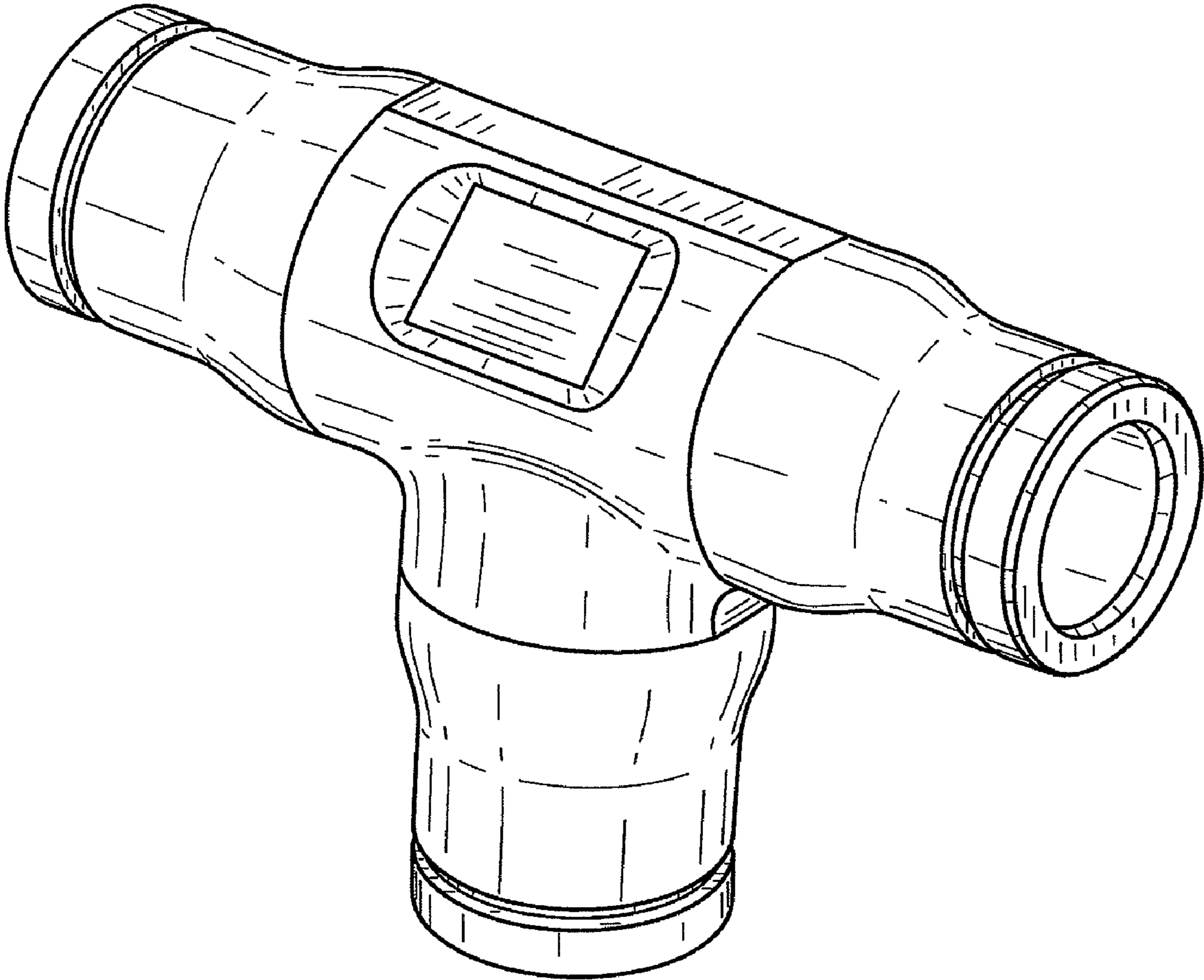


FIG. 1

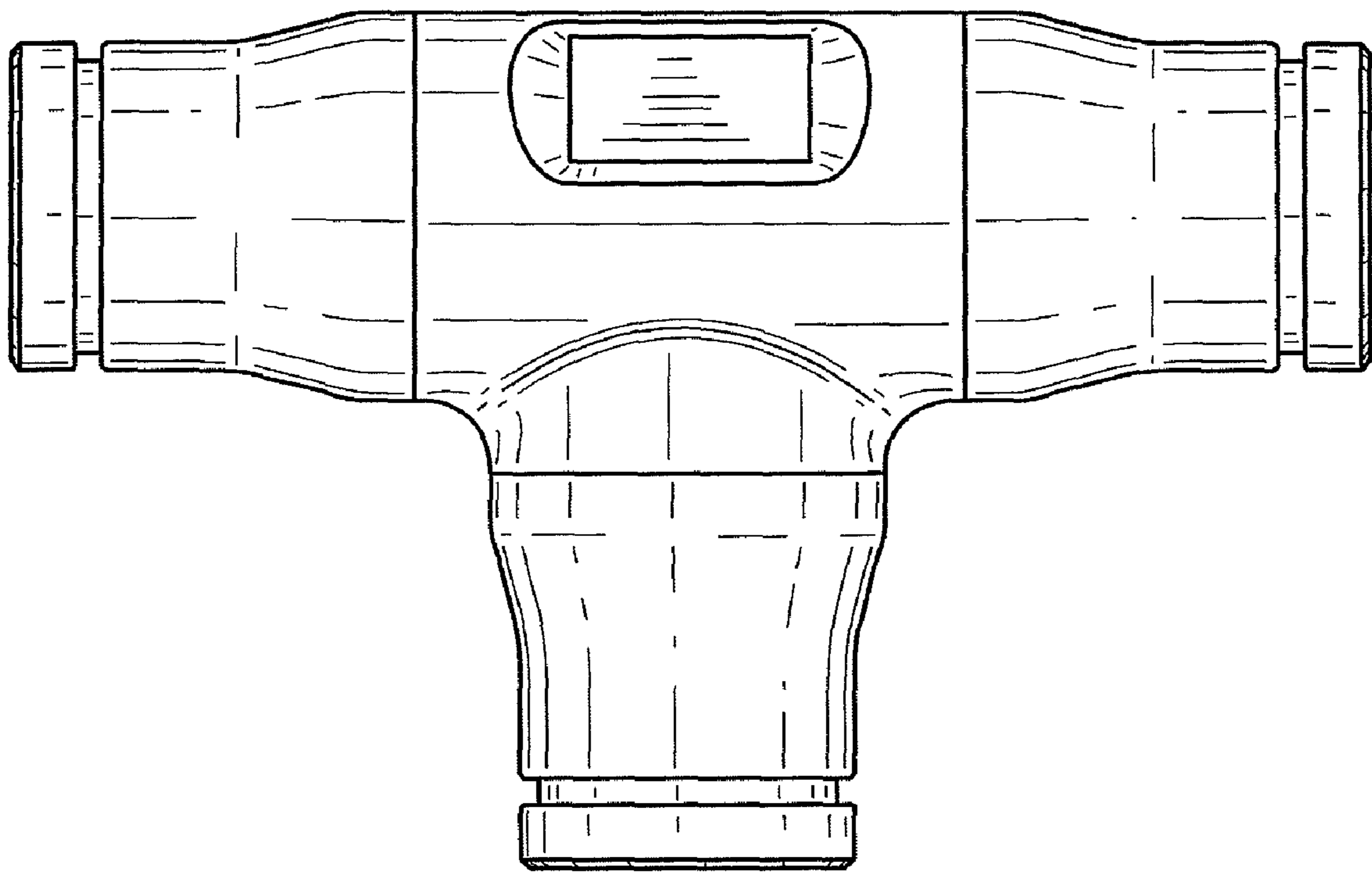


FIG. 2

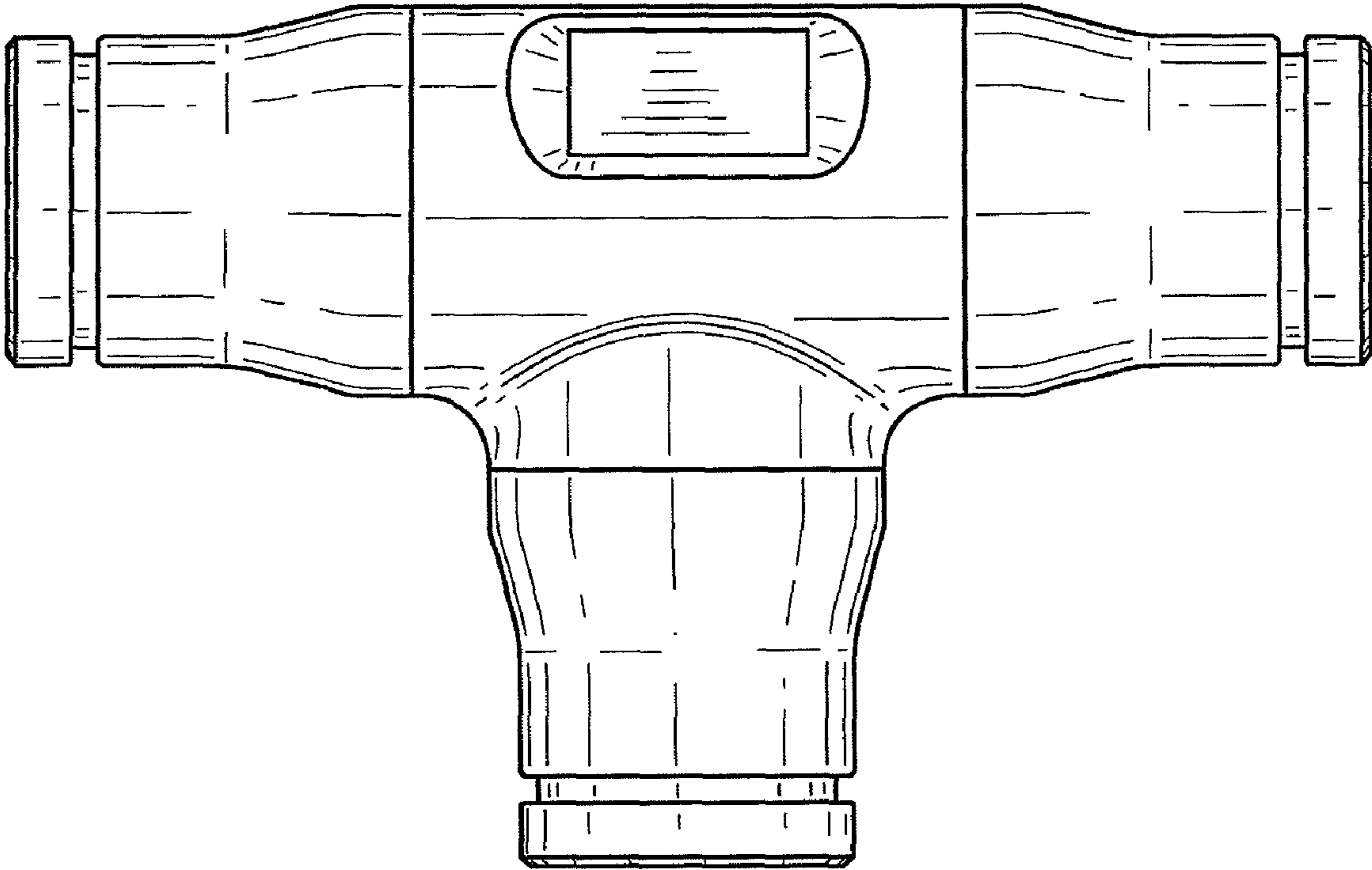


FIG. 3

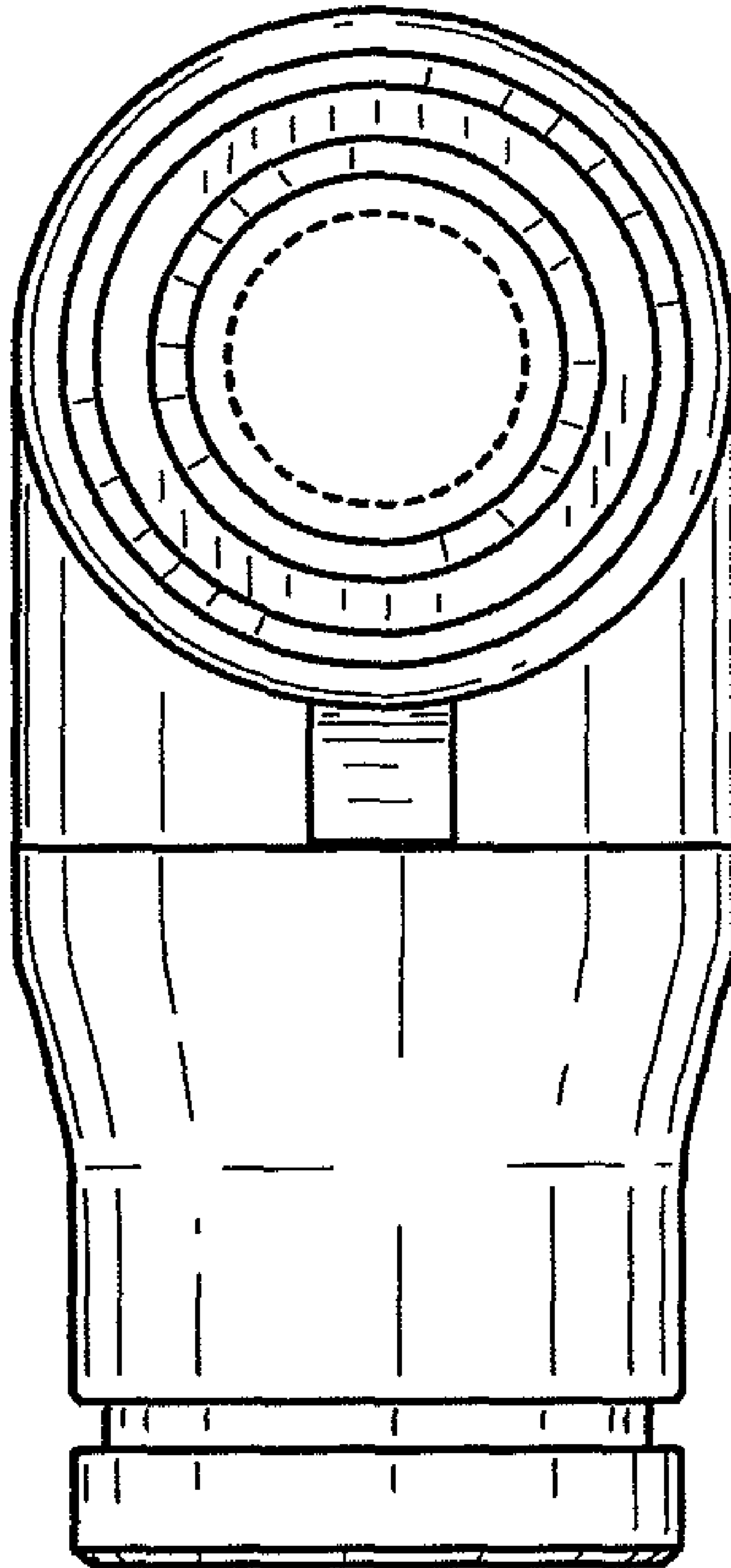


FIG. 4

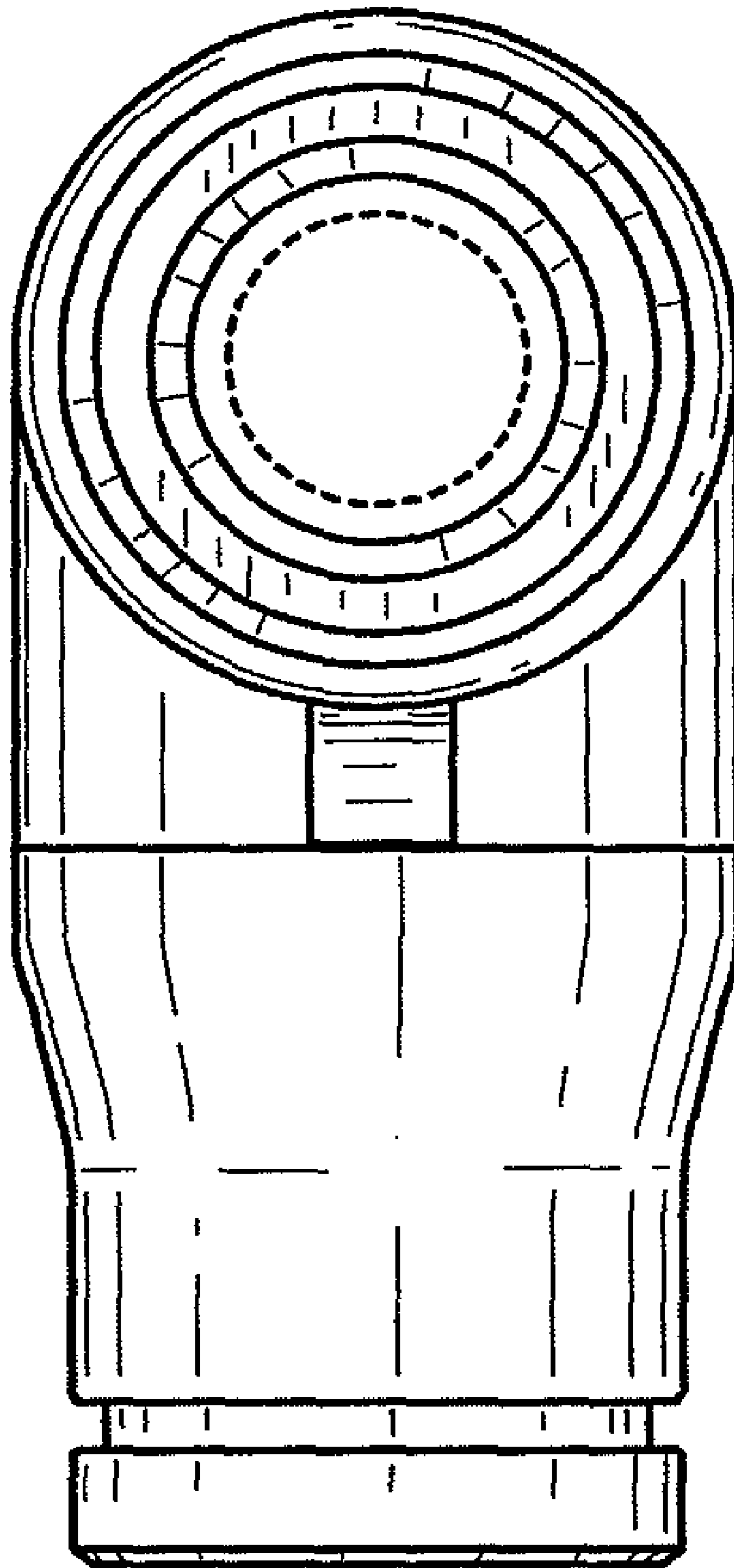


FIG. 5

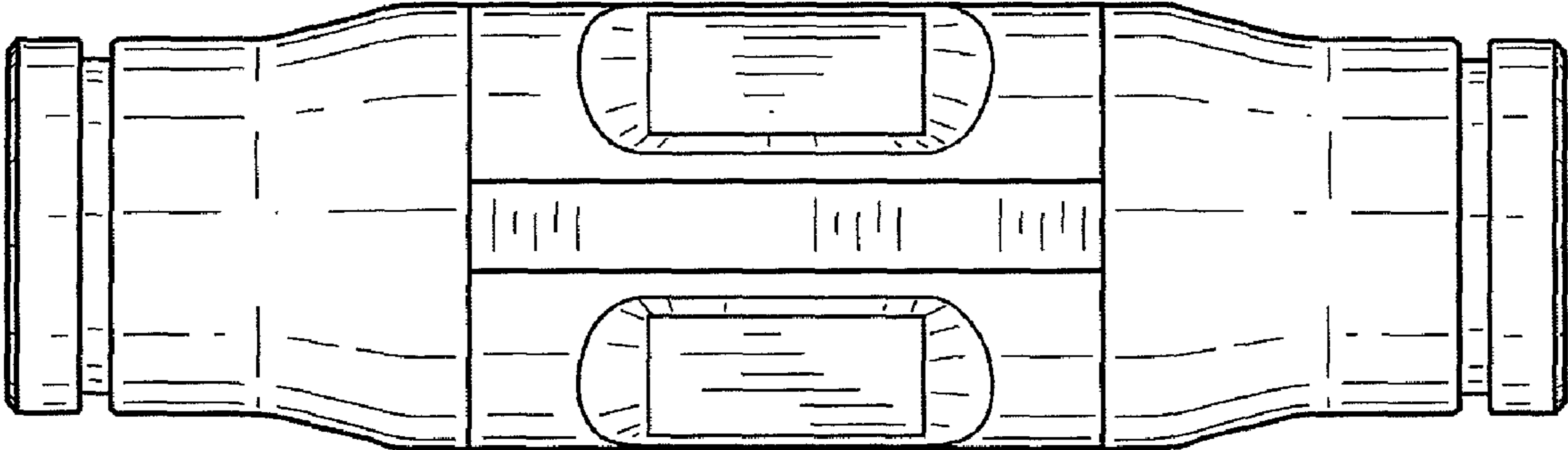


FIG. 6

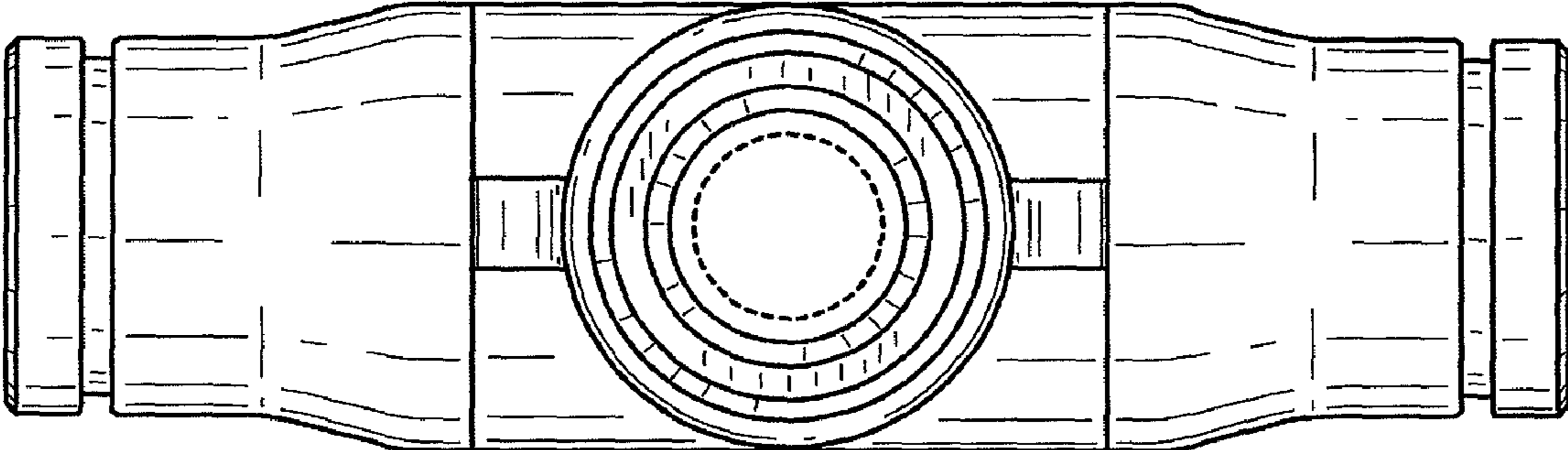


FIG. 7