



US00D634818S

(12) **United States Design Patent**
Leroyer

(10) **Patent No.:** **US D634,818 S**

(45) **Date of Patent:** **** Mar. 22, 2011**

(54) **JOINT FOR PIPES**

(75) Inventor: **Cyril Leroyer**, Montgermont (FR)

(73) Assignee: **Legris SAS**, Rennes (FR)

(**) Term: **14 Years**

(21) Appl. No.: **29/369,548**

(22) Filed: **Sep. 10, 2010**

(30) **Foreign Application Priority Data**

Mar. 17, 2010 (EP) 001682709-0003

(51) **LOC (9) Cl.** **23-01**

(52) **U.S. Cl.** **D23/263**

(58) **Field of Classification Search** D23/259-263;
285/179, 179.1

See application file for complete search history.

(56) **References Cited**

U.S. PATENT DOCUMENTS

| | | | | | |
|-----------|-----|---------|------------------|-------|------------|
| 2,342,425 | A * | 2/1944 | Parker | | 285/220 |
| 2,373,253 | A * | 4/1945 | Martin | | 285/220 |
| D166,650 | S * | 4/1952 | Warren | | D23/263 |
| 2,777,714 | A * | 1/1957 | Lamphere | | 285/98 |
| D258,983 | S * | 4/1981 | Gallagher et al. | | D23/263 |
| 4,288,103 | A * | 9/1981 | Gallagher et al. | | 285/39 |
| D291,481 | S * | 8/1987 | Vassallo et al. | | D23/263 |
| D296,816 | S * | 7/1988 | Budzinski et al. | | D23/263 |
| 4,774,940 | A * | 10/1988 | Linder | | 128/204.18 |
| D434,834 | S * | 12/2000 | Goto | | D23/262 |
| D480,787 | S * | 10/2003 | Wilk et al. | | D23/263 |

| | | | | | |
|----------|-----|---------|---------------|-------|---------|
| D481,447 | S * | 10/2003 | Dole et al. | | D23/263 |
| D482,103 | S * | 11/2003 | Snyder et al. | | D23/263 |
| D517,666 | S * | 3/2006 | Wilk et al. | | D23/262 |
| D523,123 | S * | 6/2006 | Wilk et al. | | D23/262 |
| D597,636 | S * | 8/2009 | Choi | | D23/263 |
| D613,826 | S * | 4/2010 | Hall et al. | | D23/259 |
| D615,631 | S * | 5/2010 | Price et al. | | D23/263 |
| D627,863 | S * | 11/2010 | Ball | | D23/262 |

* cited by examiner

Primary Examiner — T. Chase Nelson

Assistant Examiner — Eric L Goodman

(74) *Attorney, Agent, or Firm* — Muncy, Geissler, Olds & Lowe, PLLC

(57) **CLAIM**

The ornamental design for a joint for pipes, as shown and described.

DESCRIPTION

FIG. 1 is a front, right perspective view of a joint for pipes showing my new design;

FIG. 2 is a front elevational view of the joint for pipes;

FIG. 3 is a rear elevational view of the joint for pipes;

FIG. 4 is a right side view of the joint for pipes;

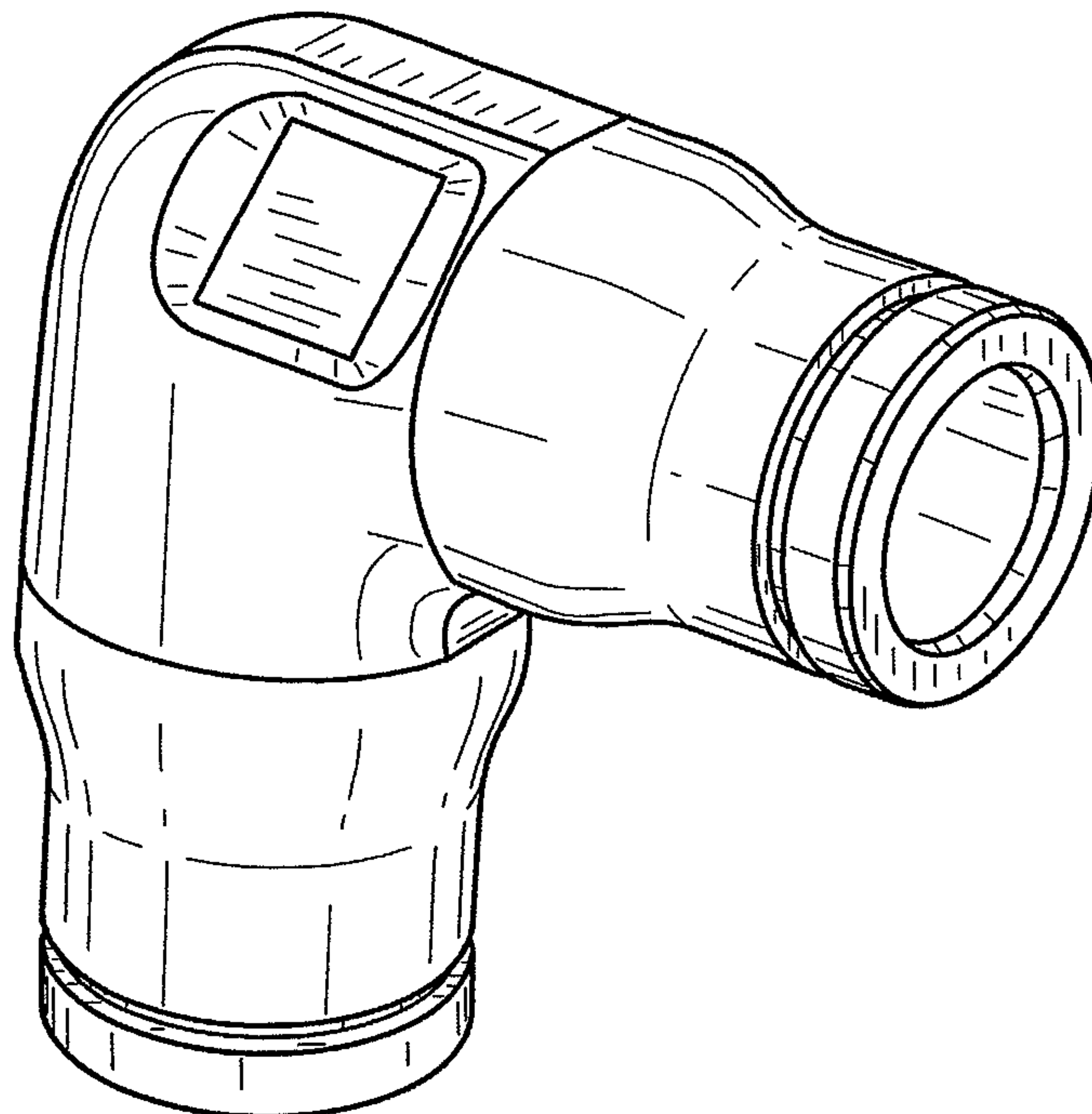
FIG. 5 is a left side view of the joint for pipes;

FIG. 6 is a top plan view of the joint for pipes; and,

FIG. 7 is a bottom plan view of the joint for pipes.

The broken line showing is included for the purpose of illustrating portions of the article and forms no part of the claimed design.

1 Claim, 7 Drawing Sheets



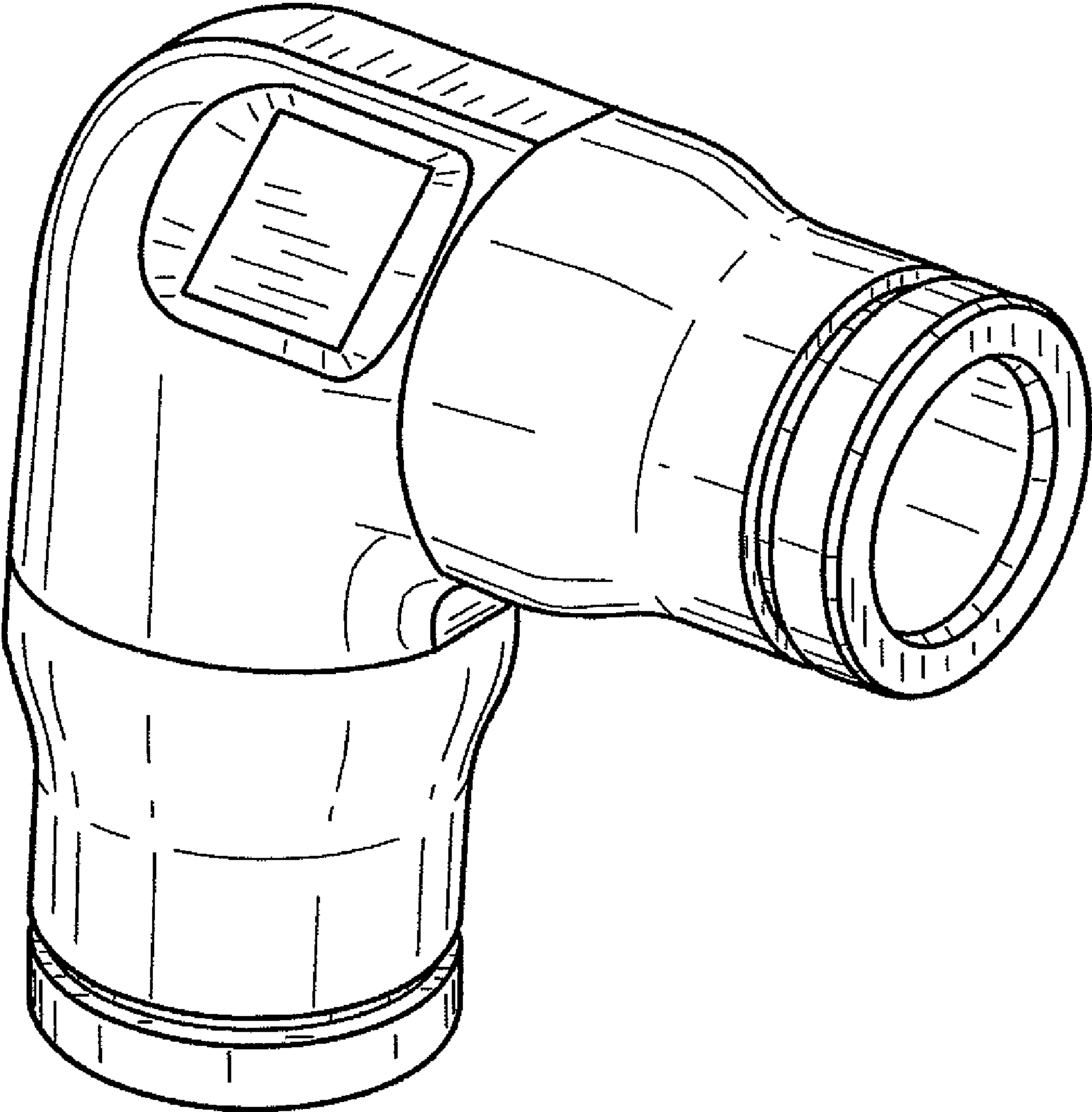


FIG. 1

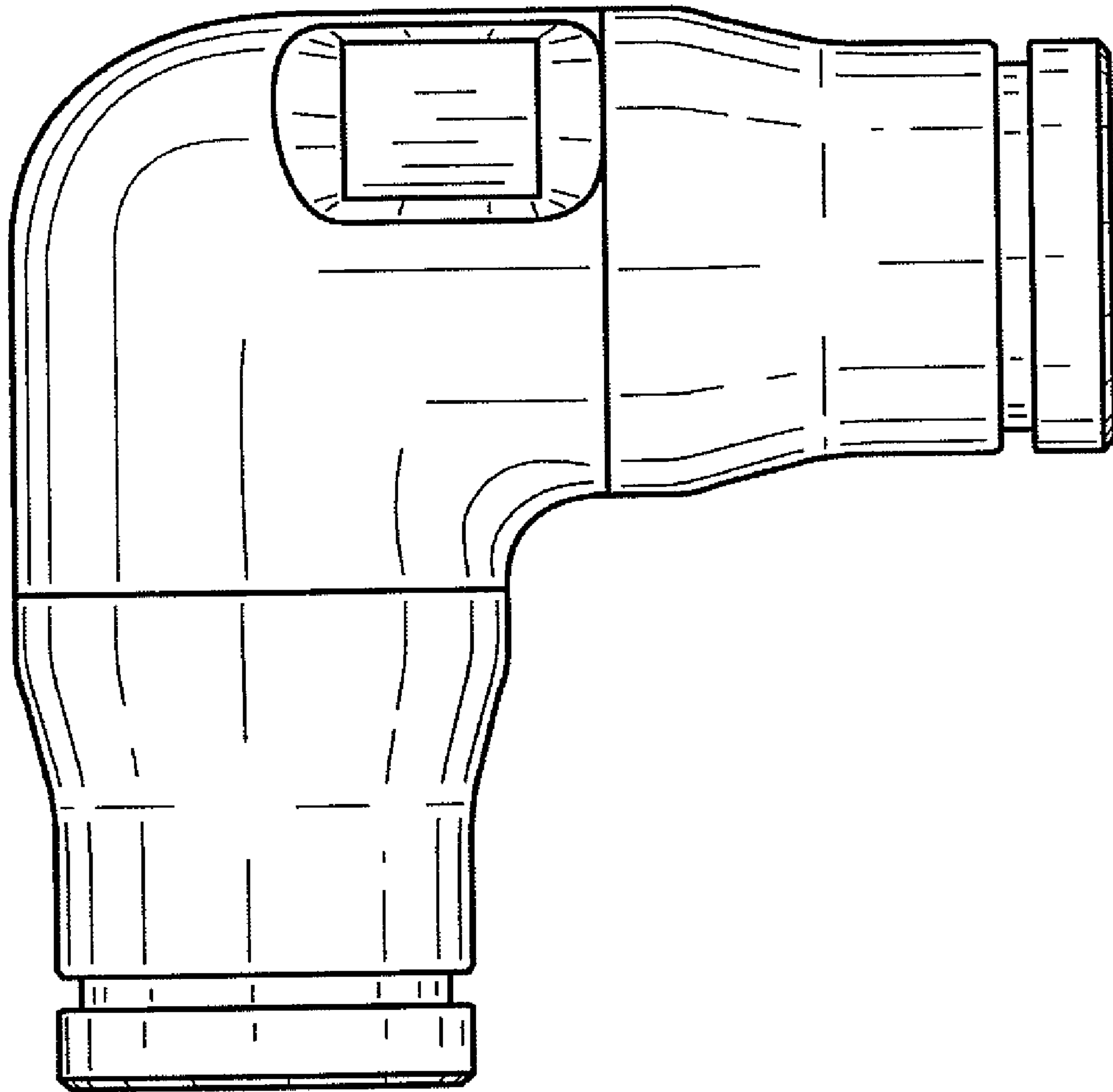


FIG. 2

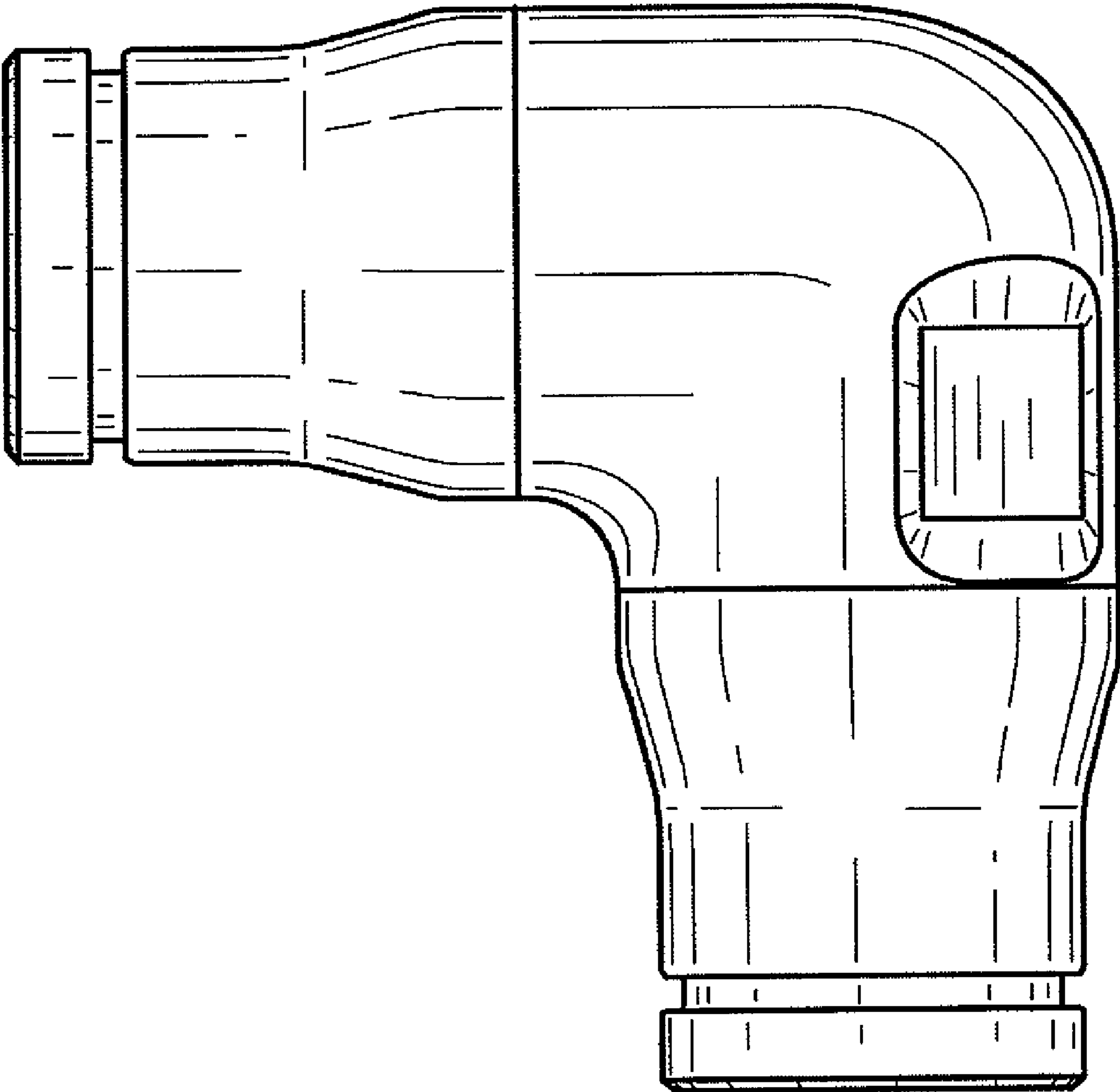


FIG. 3

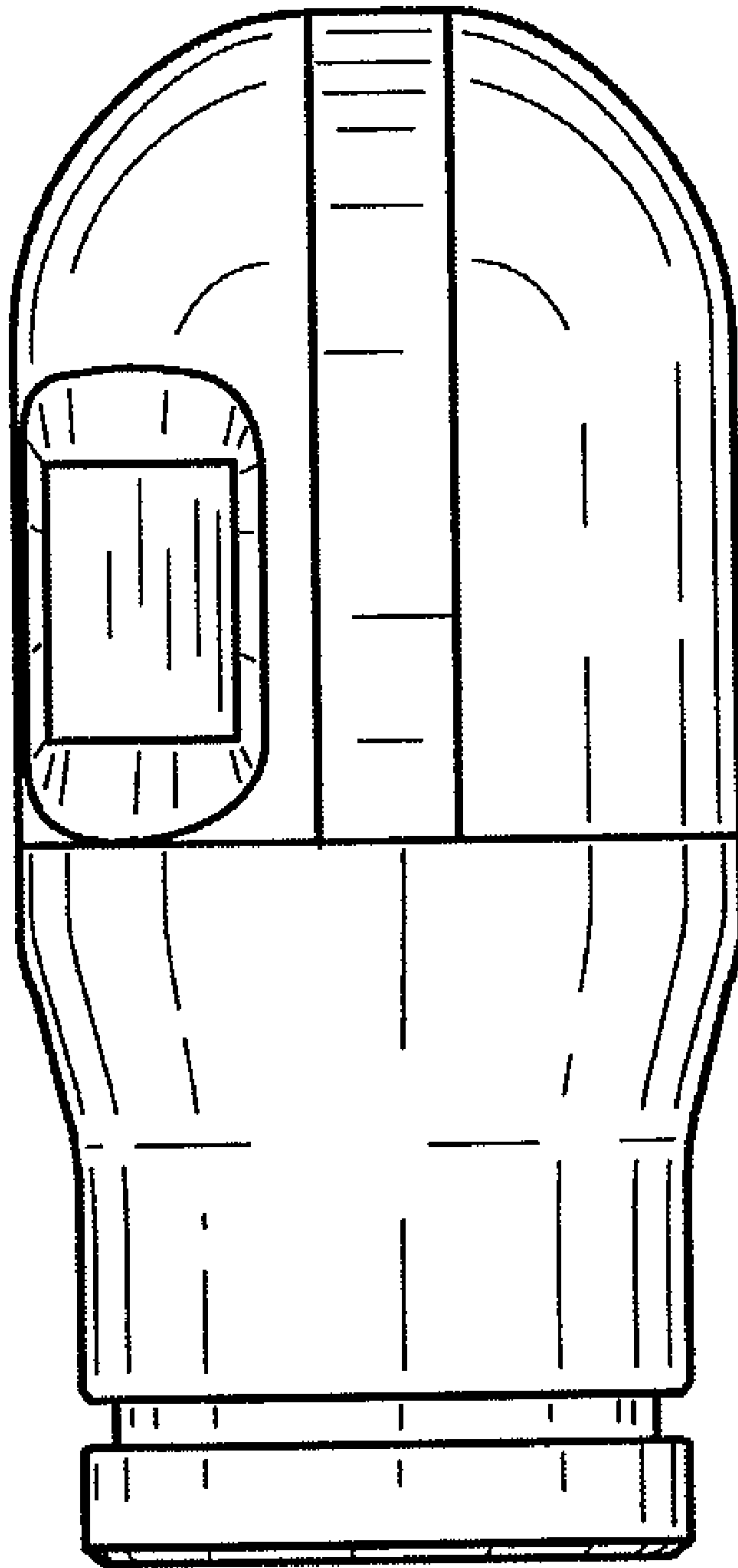


FIG. 4

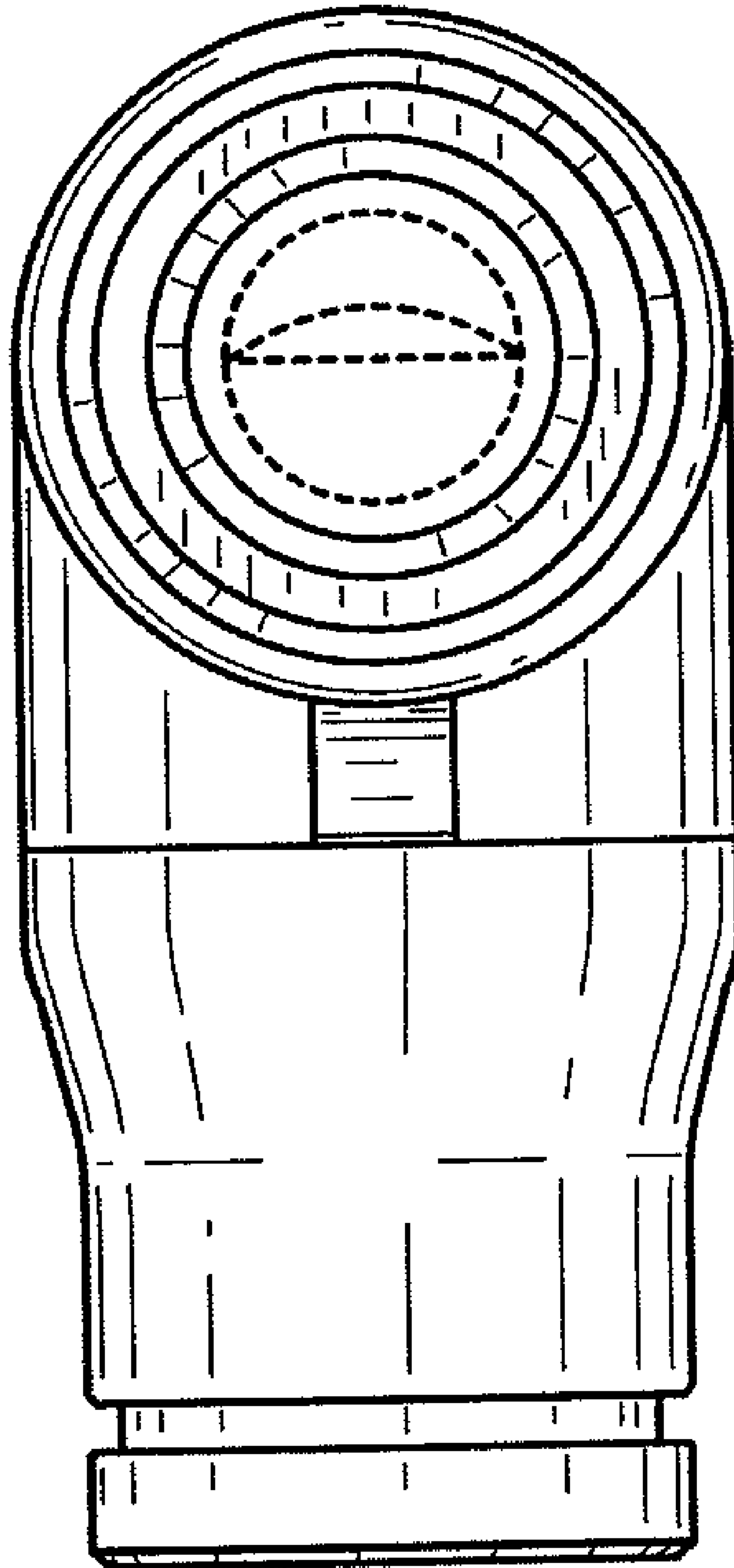


FIG. 5

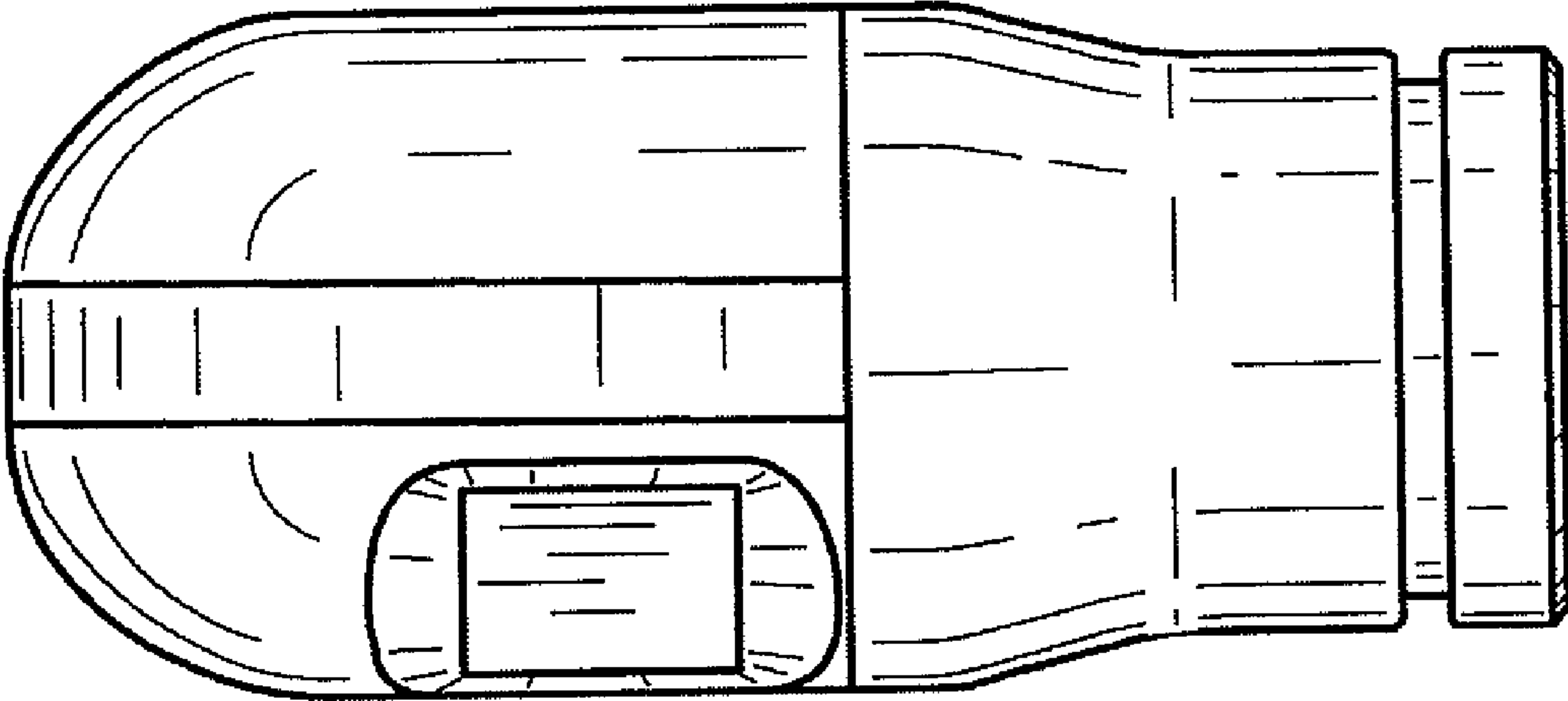


FIG. 6

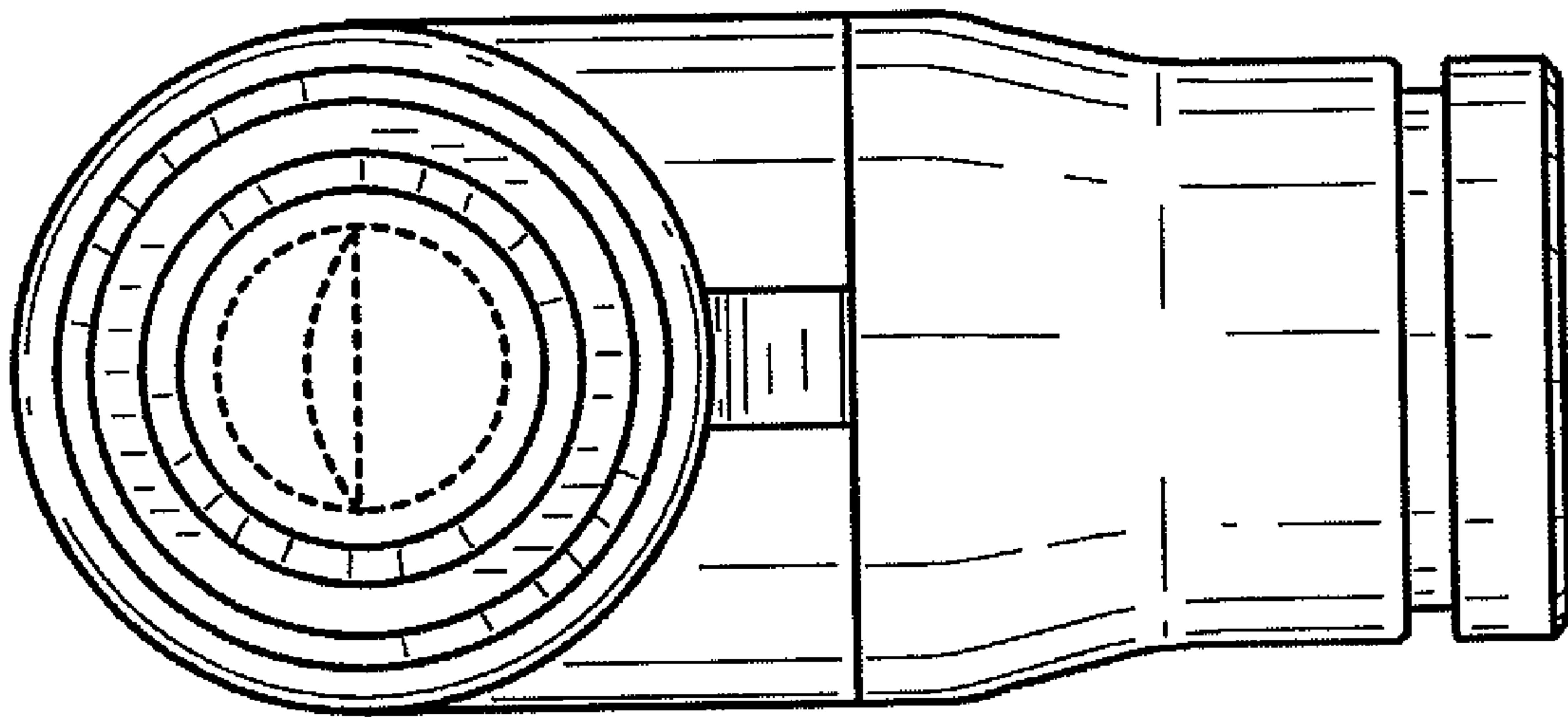


FIG. 7