

US00D634816S

(12) **United States Design Patent**
Qian

(10) **Patent No.:** **US D634,816 S**

(45) **Date of Patent:** **** Mar. 22, 2011**

(54) **PIPE COUPLING**

(76) Inventor: **Benning Qian**, Ningbo (CN)

(**) Term: **14 Years**

(21) Appl. No.: **29/351,243**

(22) Filed: **Dec. 2, 2009**

(30) **Foreign Application Priority Data**

Jun. 5, 2009 (CN) 2009 3 0142817

(51) **LOC (9) Cl.** **23-01**

(52) **U.S. Cl.** **D23/259**

(58) **Field of Classification Search** D23/259-265,
D23/499; 285/38, 354
See application file for complete search history.

(56) **References Cited**

U.S. PATENT DOCUMENTS

3,196,583	A *	7/1965	Rex et al.	52/707
5,471,809	A *	12/1995	Frankel	52/834
5,511,829	A *	4/1996	Sicotte et al.	285/148.22
D433,120	S *	10/2000	Hakuta et al.	D23/499
6,412,250	B2 *	7/2002	Davis	52/834
6,467,756	B1 *	10/2002	Elsasser	256/65.14
6,484,360	B1 *	11/2002	DeBartolo et al.	16/95 R
6,643,982	B1 *	11/2003	Lapp et al.	52/127.2
6,739,800	B2 *	5/2004	Bevilacqua	405/48
6,983,770	B2 *	1/2006	Kondou et al.	138/177
D521,656	S *	5/2006	Terrels	D25/122
7,530,550	B2 *	5/2009	Fattori	256/65.05

7,637,075	B2 *	12/2009	Mitchell	52/834
7,731,160	B2 *	6/2010	Terrels et al.	256/65.06
2002/0125721	A1 *	9/2002	Imaeda et al.	285/305
2004/0003568	A1 *	1/2004	McCarthy	52/720.2
2007/0215767	A1 *	9/2007	Leary	248/214

* cited by examiner

Primary Examiner — Celia A. Murphy

Assistant Examiner — John Windmuller

(74) *Attorney, Agent, or Firm* — Head, Johnson & Kachigian, P.C.

(57) **CLAIM**

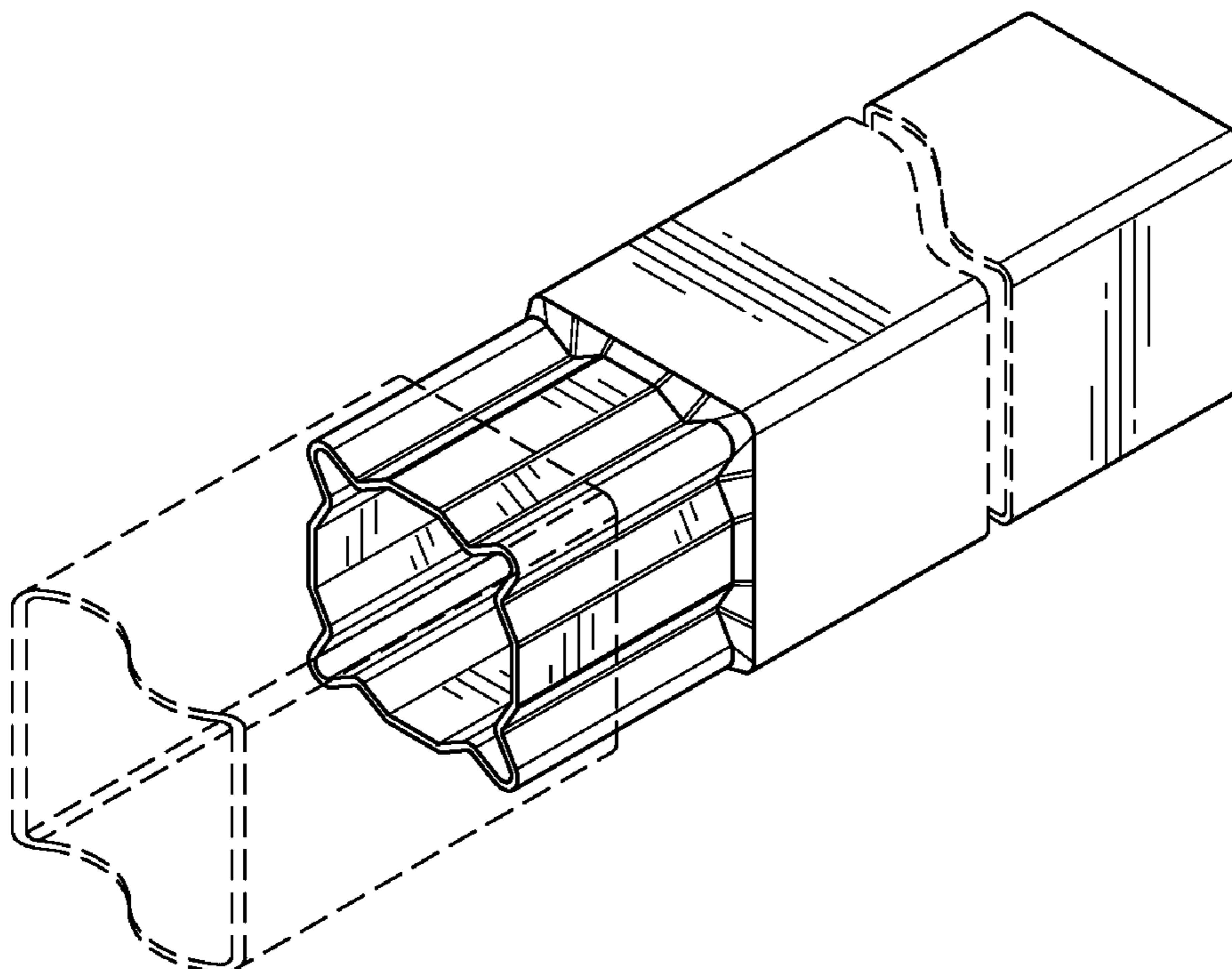
The ornamental design for a pipe coupling, as shown and described.

DESCRIPTION

FIG. 1 is a top view of a pipe coupling showing my new design;
FIG. 2 is a front view thereof;
FIG. 3 is a bottom view thereof;
FIG. 4 is a left view thereof;
FIG. 5 is a right view thereof;
FIG. 6 is a rear view thereof;
FIG. 7 is a first perspective view;
FIG. 8 is a perspective view of the pipe coupling in use; and,
FIG. 9 is an exploded perspective view of the pipe coupling in use.

The broken line portions of the figure drawings are included to show unclaimed subject matter only and form no part of the claimed design. The pipe coupling is shown broken away in the middle to indicate that it has no specific length.

1 Claim, 3 Drawing Sheets



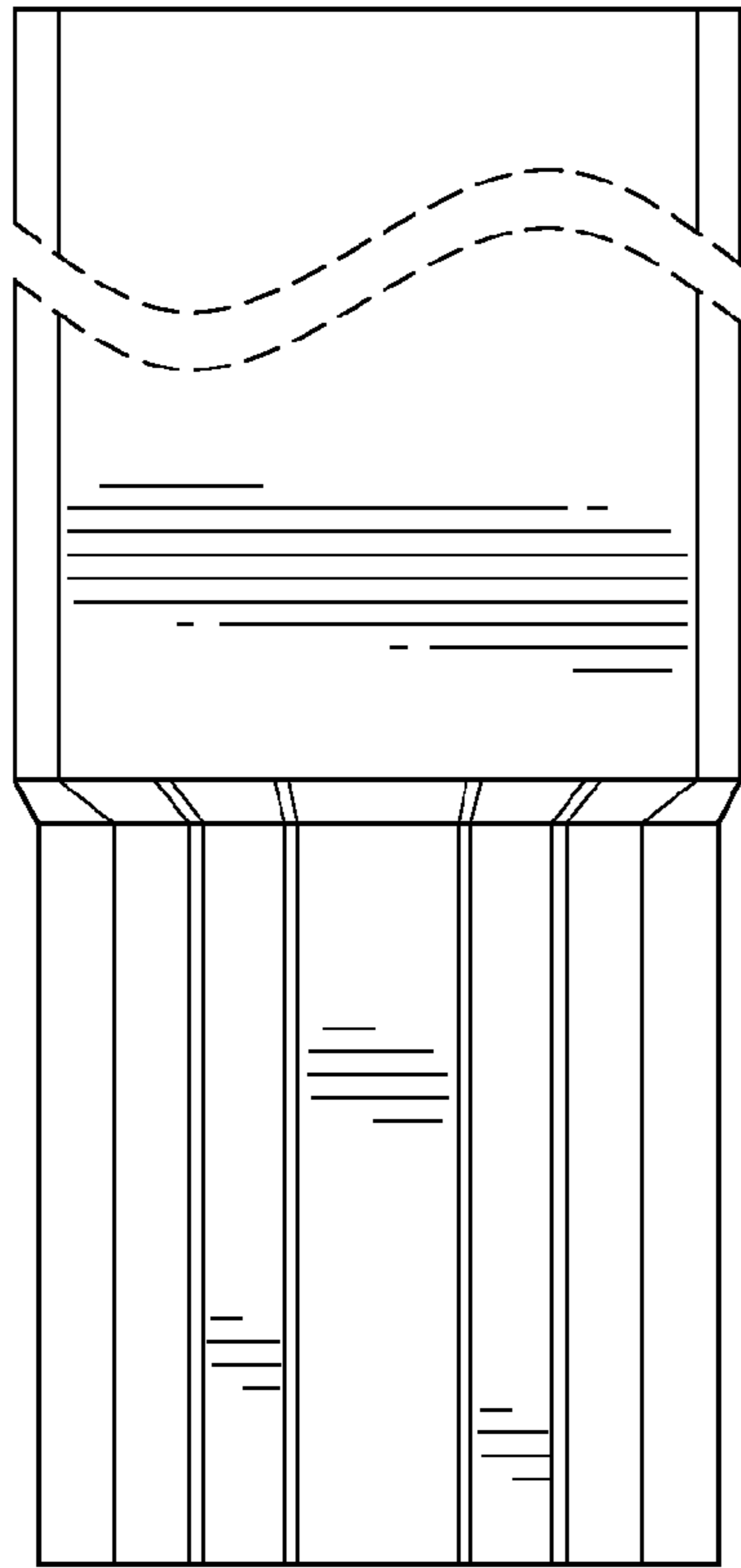


FIG. 1

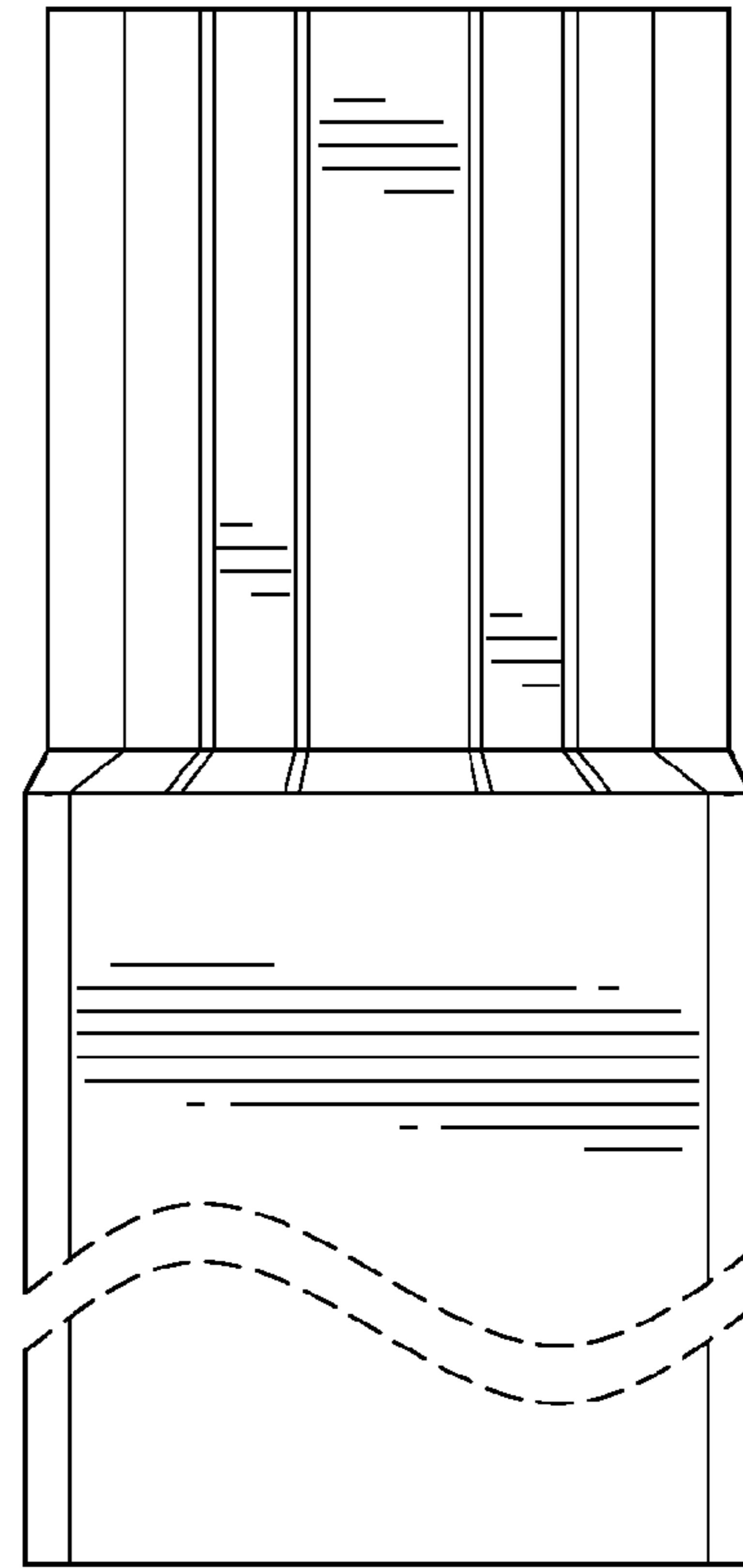


FIG. 3

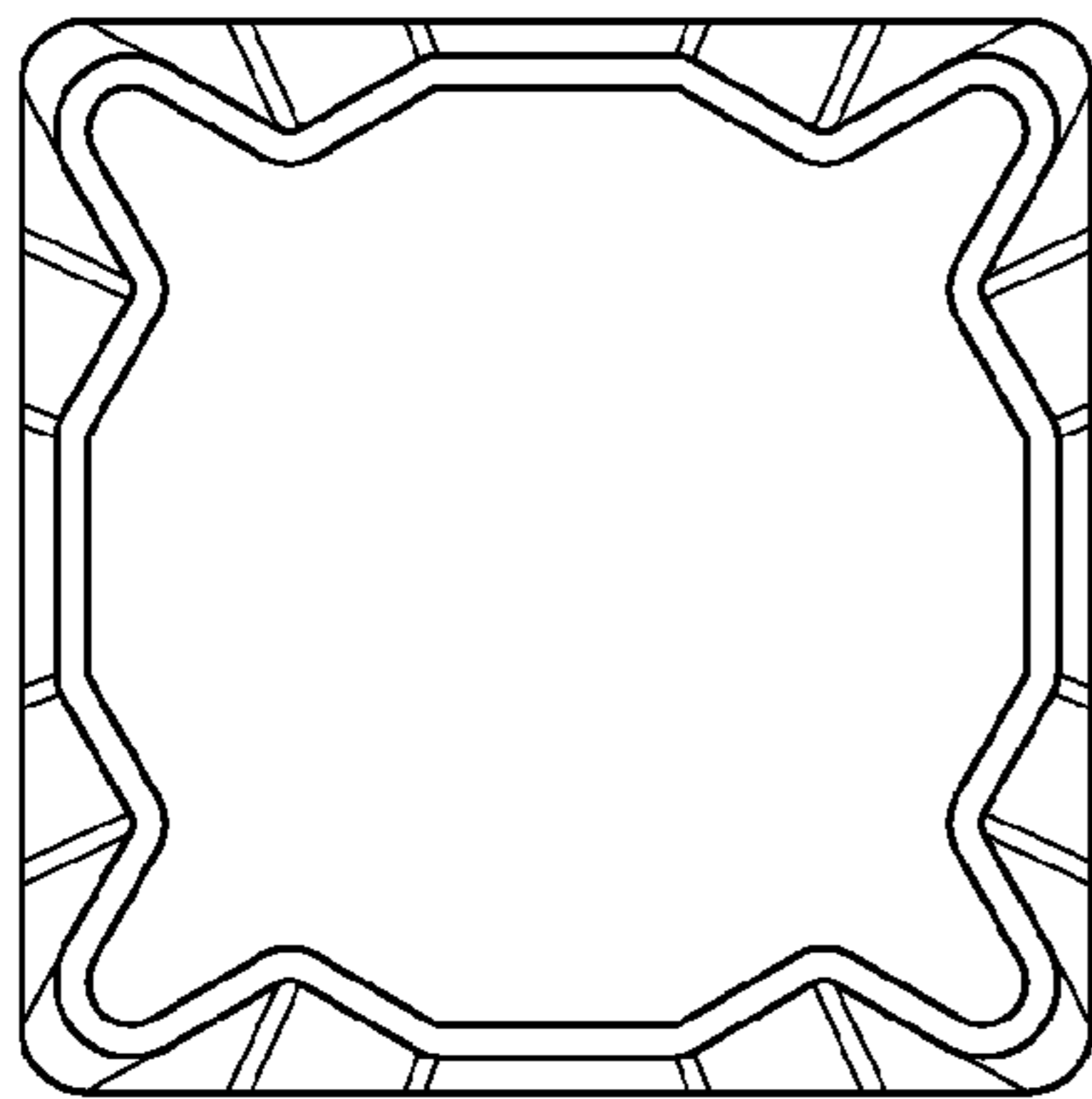


FIG. 2

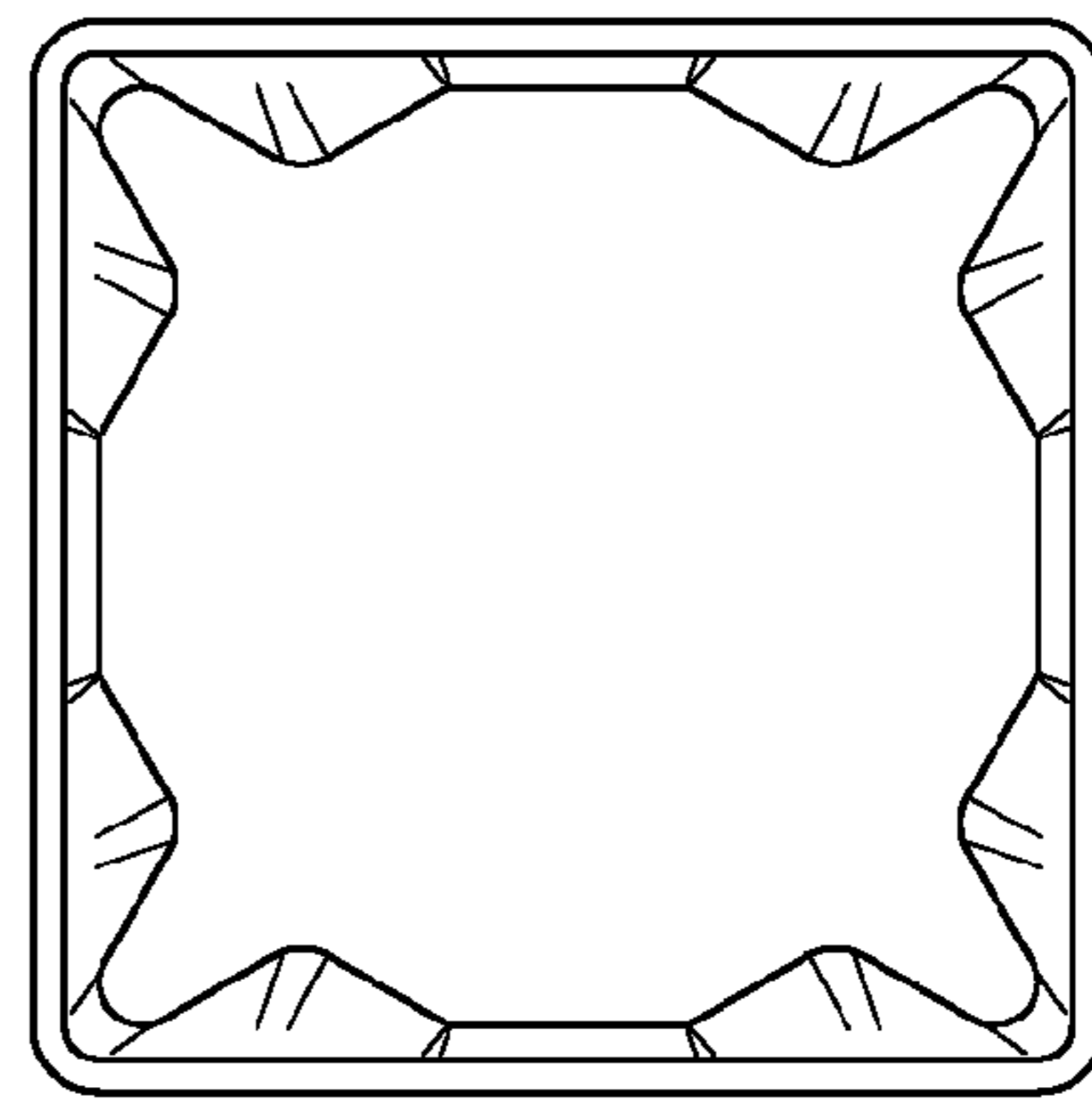


FIG. 6

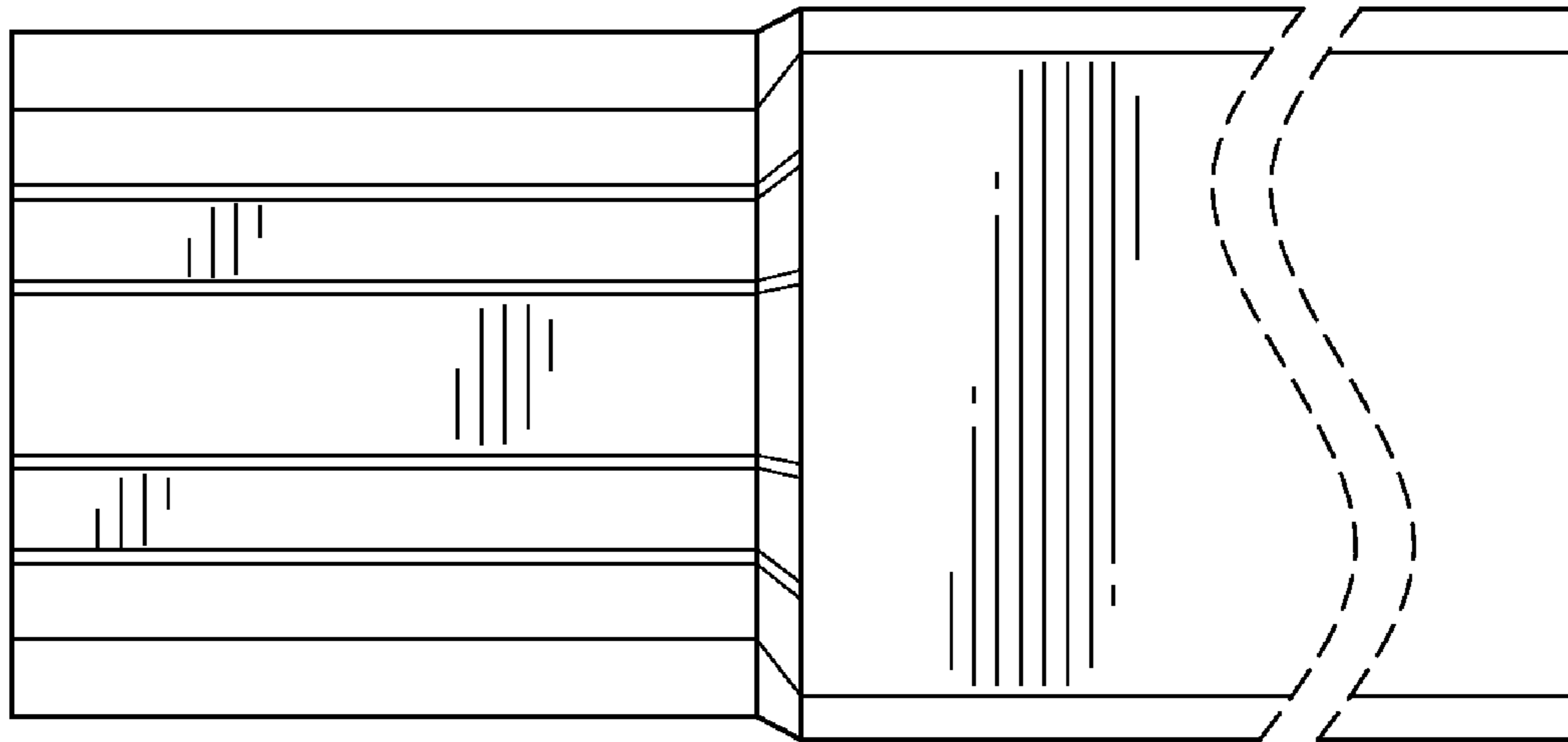


FIG. 4

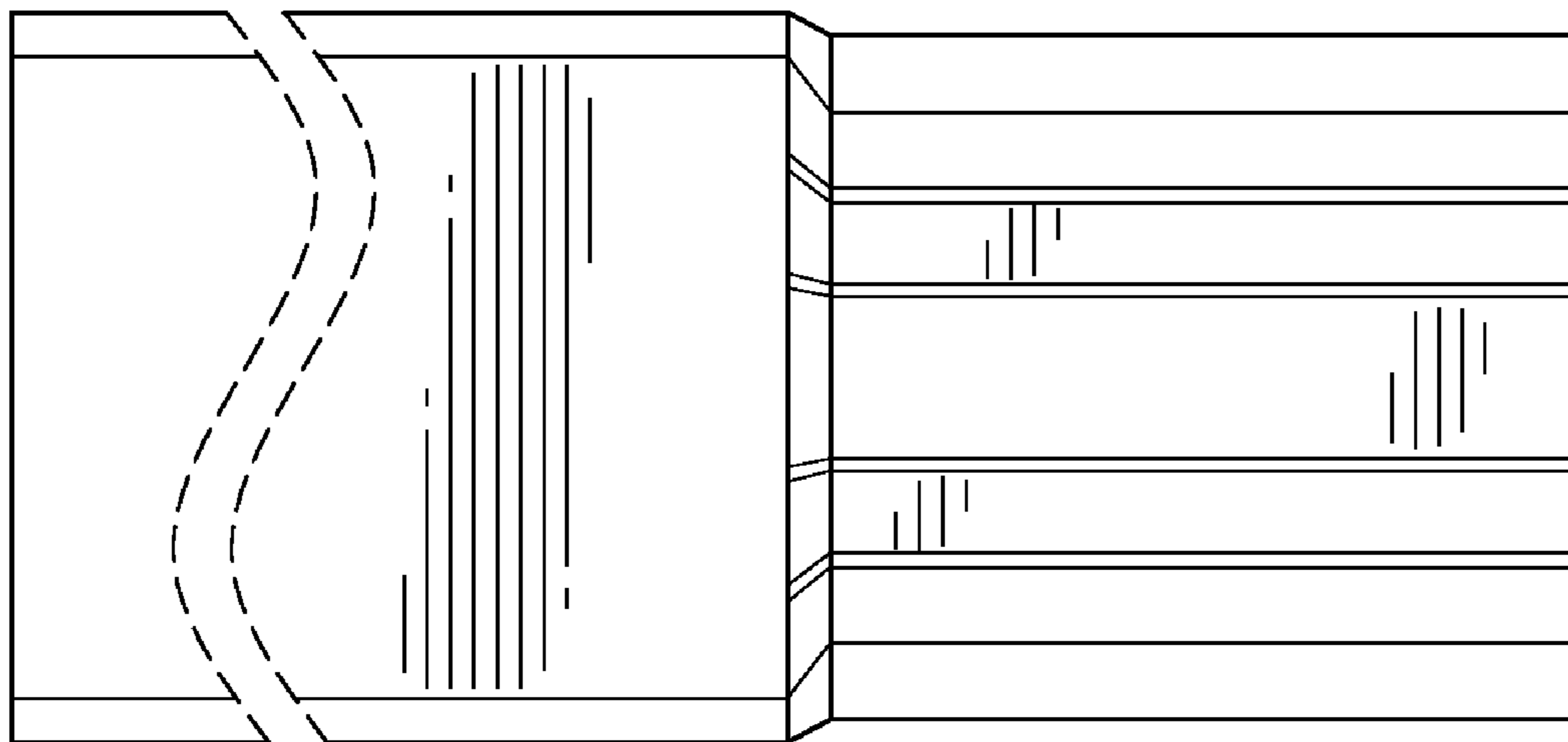


FIG. 5

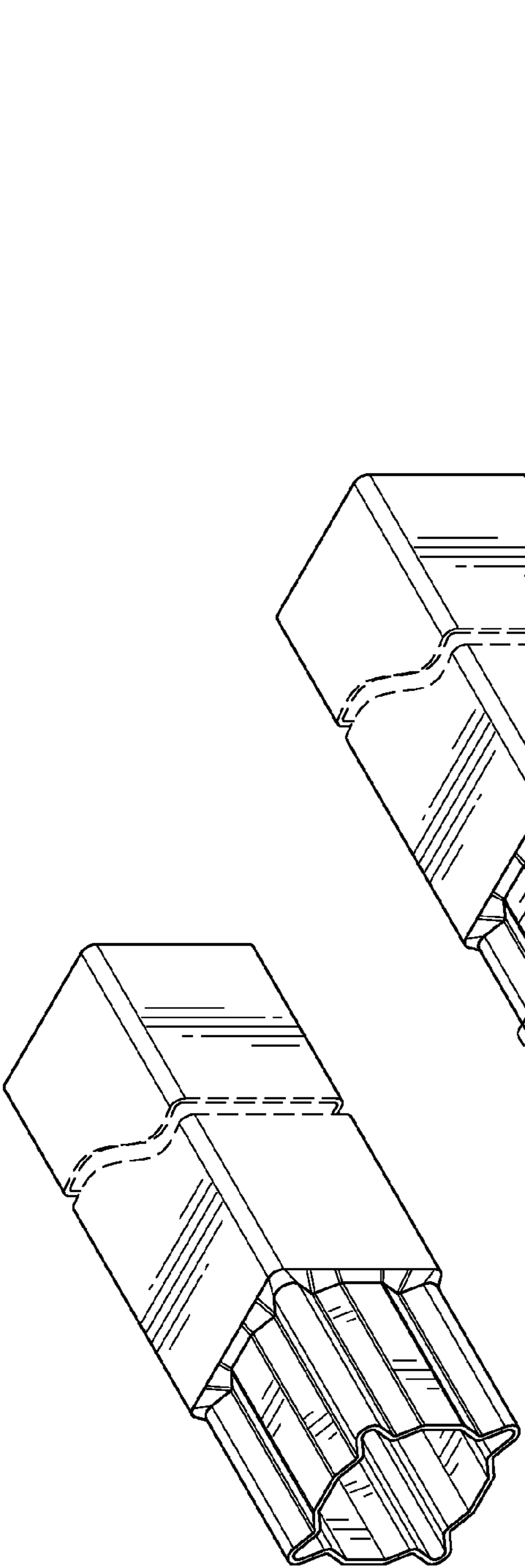


FIG. 7

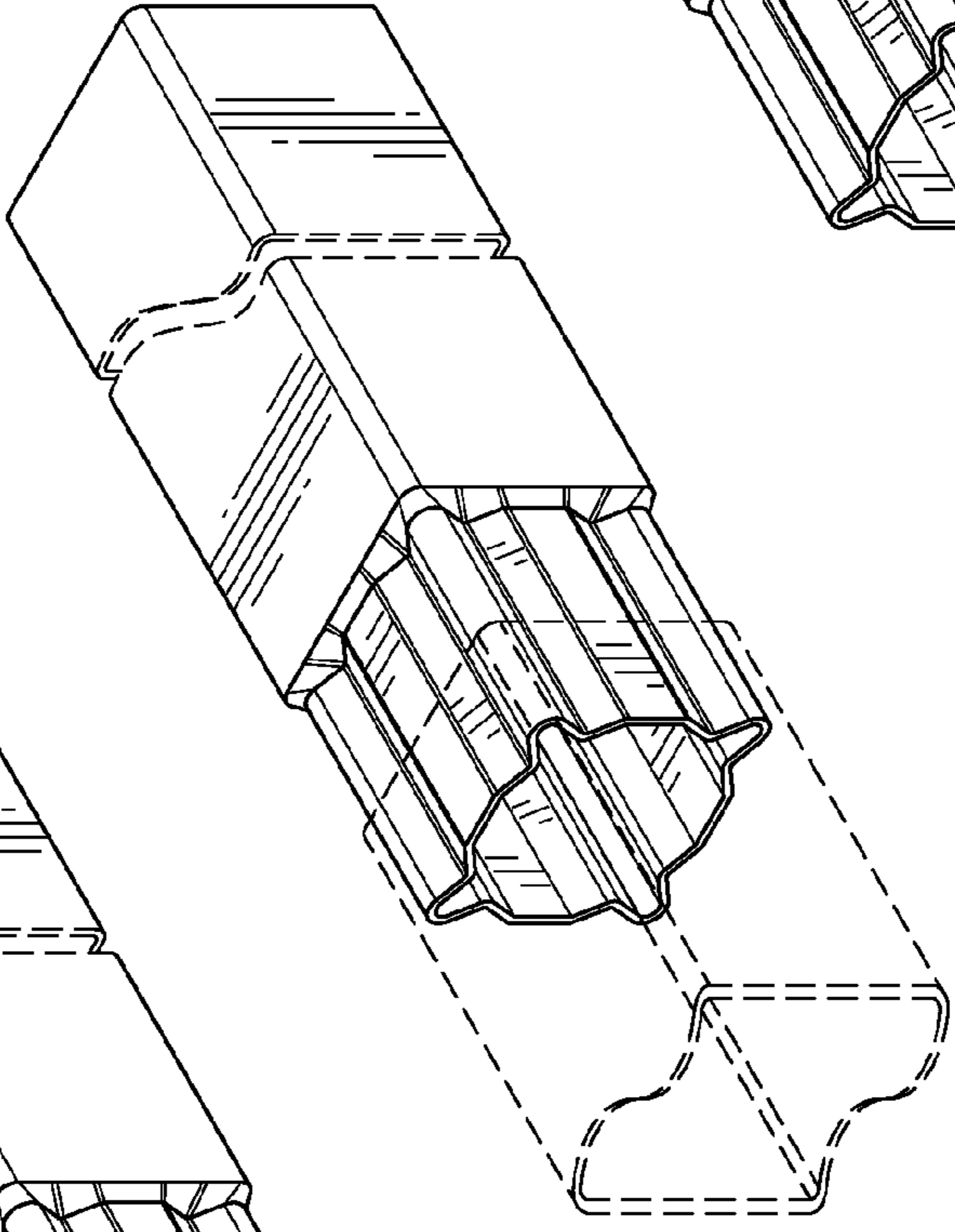


FIG. 8

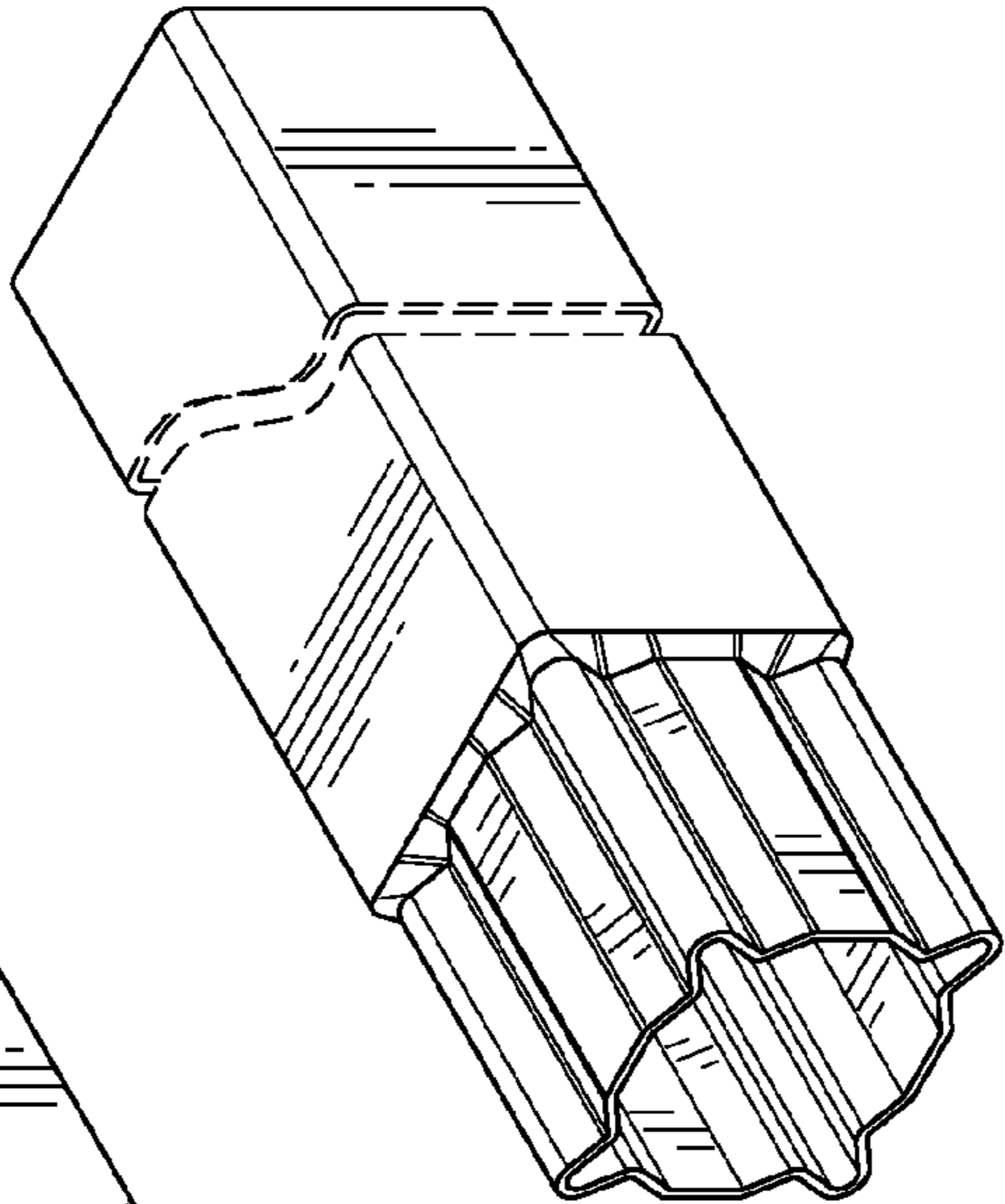


FIG. 9