



US00D634815S

(12) **United States Design Patent**
Barry

(10) **Patent No.:** **US D634,815 S**

(45) **Date of Patent:** **** Mar. 22, 2011**

(54) **FAUCET HANDLE**

(75) Inventor: **Barbara Joan Barry**, Beverly Hills, CA (US)

(73) Assignee: **Kohler Co.**, Kohler, WI (US)

(**) Term: **14 Years**

(21) Appl. No.: **29/358,608**

(22) Filed: **Mar. 30, 2010**

(51) **LOC (9) Cl.** **23-02**

(52) **U.S. Cl.** **D23/252**

(58) **Field of Classification Search** D23/250,
D23/252, 254, 238-243; 4/676-678; 138/801
See application file for complete search history.

(56) **References Cited**

U.S. PATENT DOCUMENTS

D484,574 S	*	12/2003	Spangler	D23/252
D524,918 S	*	7/2006	Barry	D23/249
D578,616 S	*	10/2008	Fritz et al.	D23/250

* cited by examiner

Primary Examiner — Robert A Delehanty

(74) *Attorney, Agent, or Firm* — Foley & Lardner LLP

(57) **CLAIM**

The ornamental design for a faucet handle, as shown and described.

DESCRIPTION

FIG. 1 is a perspective view of the front, top, and right side of a faucet handle embodying my new design; FIG. 2 is a front elevational view thereof, the rear elevational view being a mirror of the front elevational view; FIG. 3 is a right side elevational view thereof; FIG. 4 is a left side elevational view thereof; FIG. 5 is a top plan view thereof; and, FIG. 6 is a bottom plan view thereof. The broken lines in the drawings form no part of the claimed design.

1 Claim, 3 Drawing Sheets

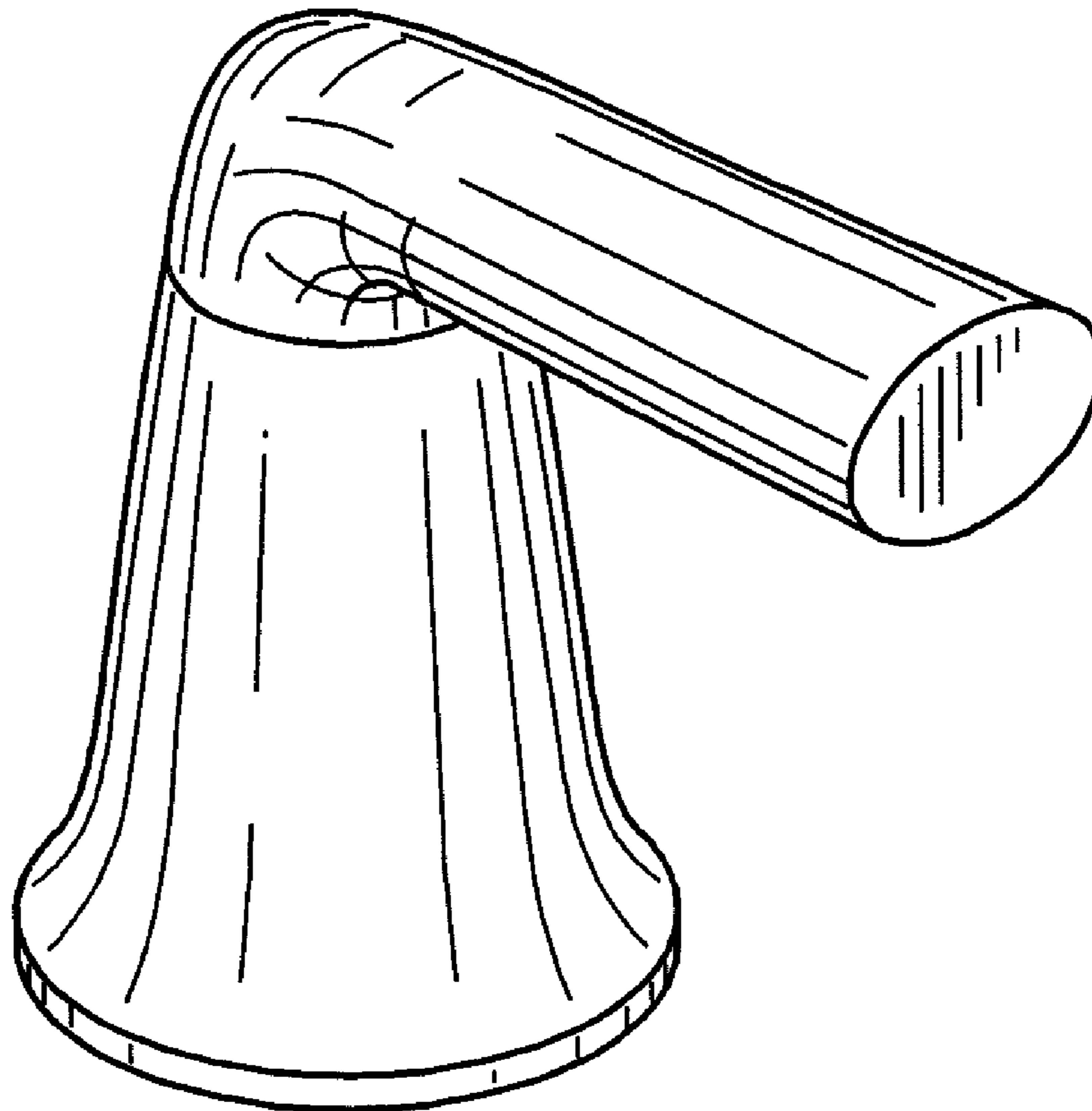


FIG. 1

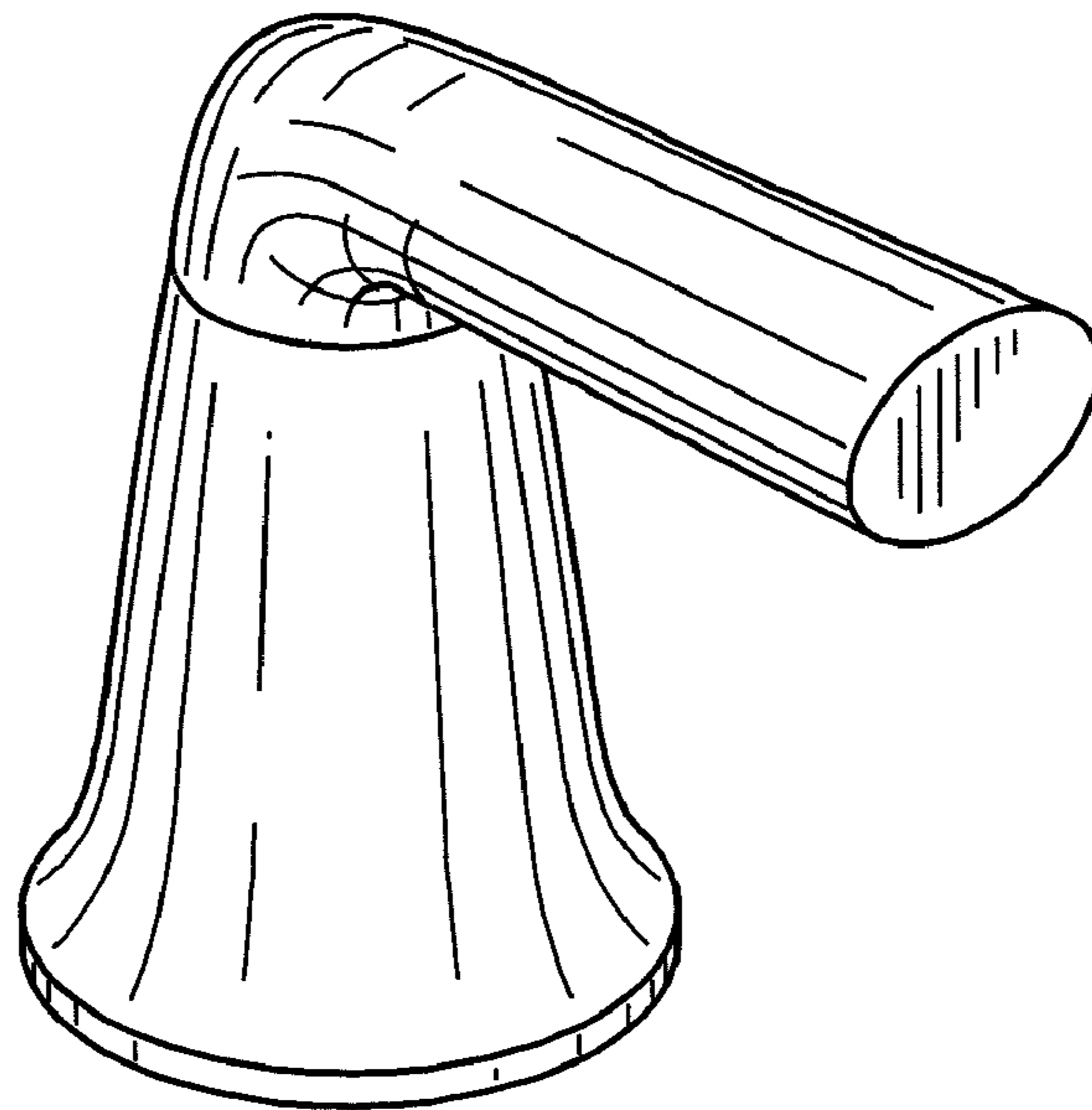


FIG. 2

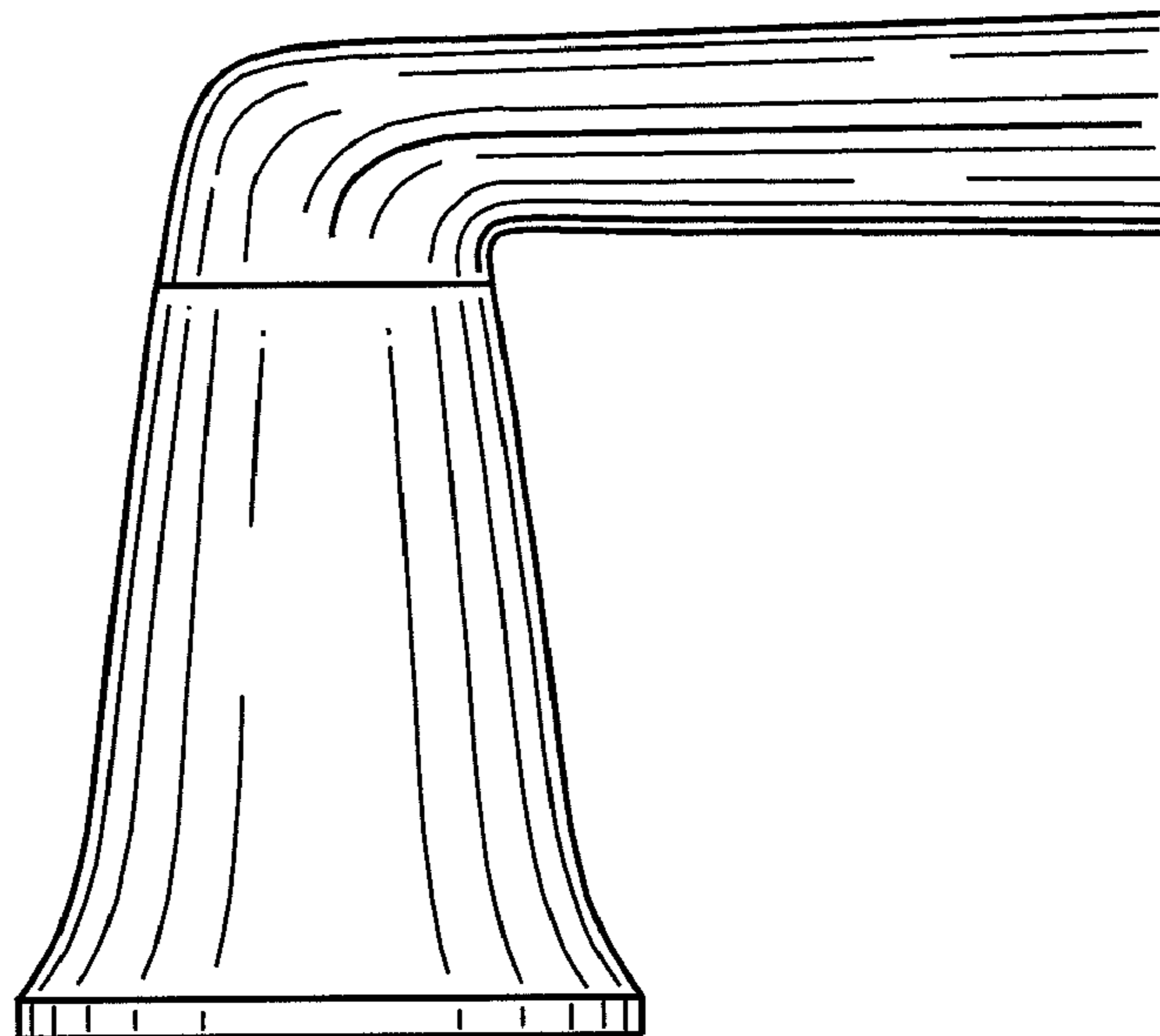


FIG. 3

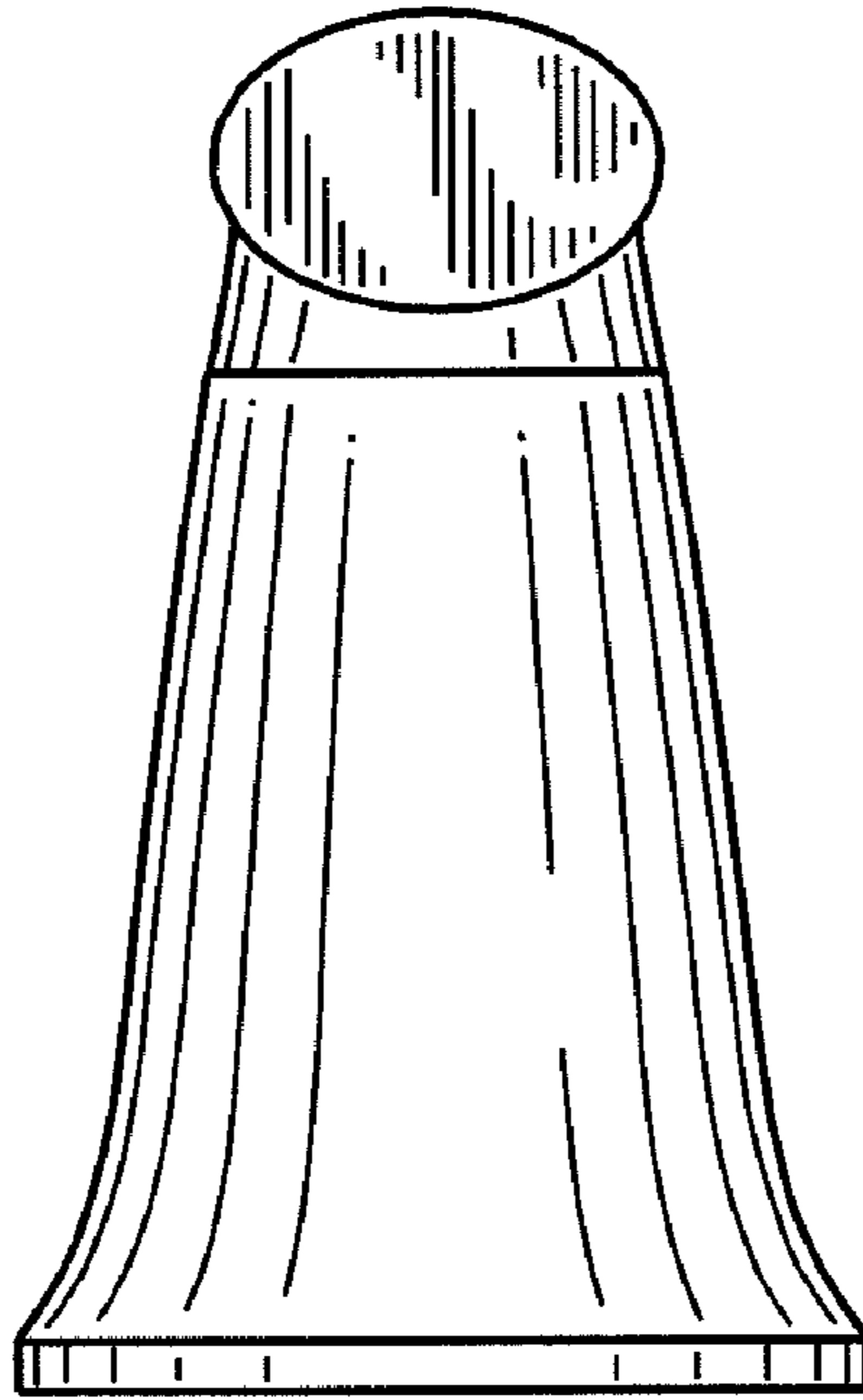


FIG. 4

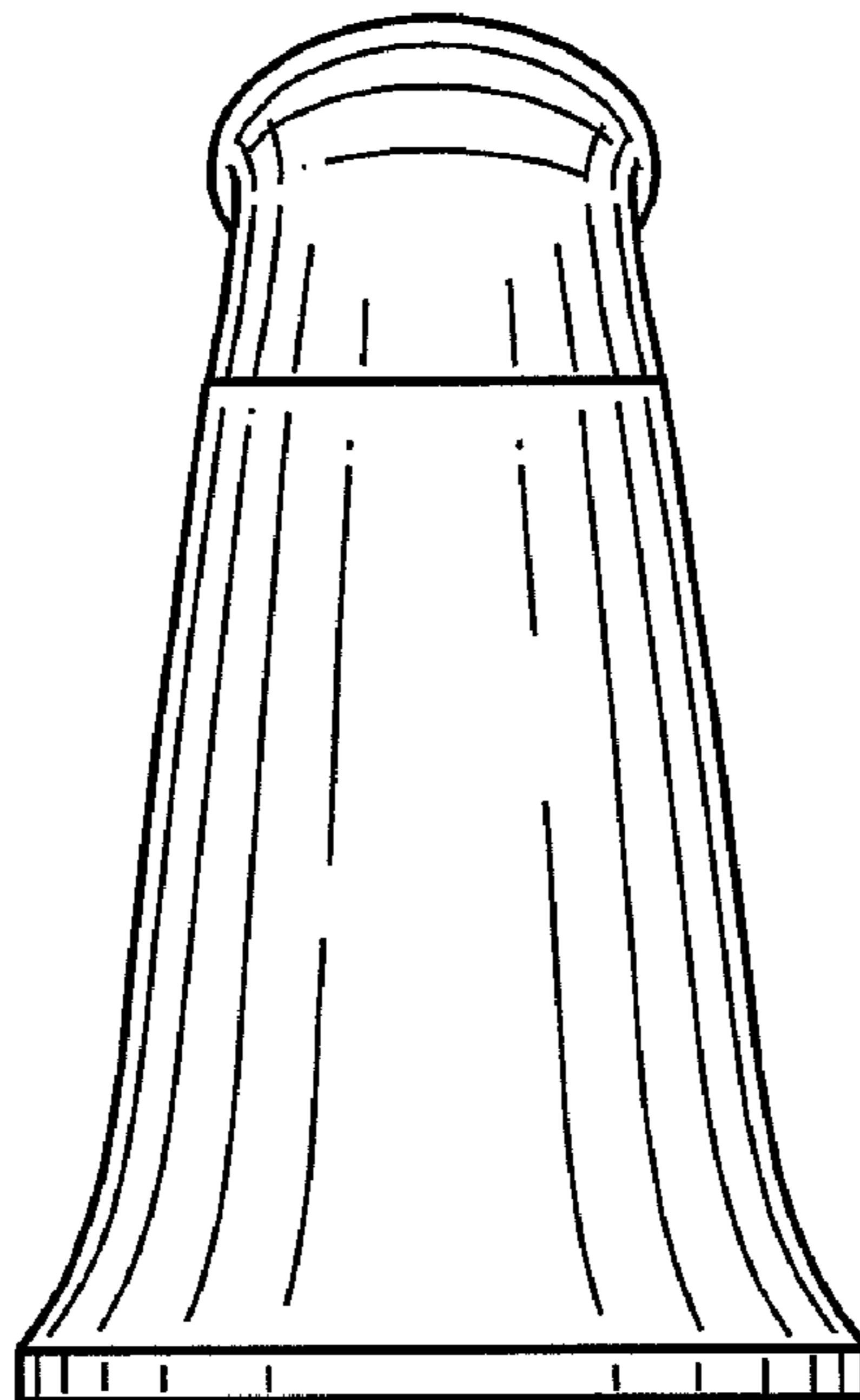


FIG. 5

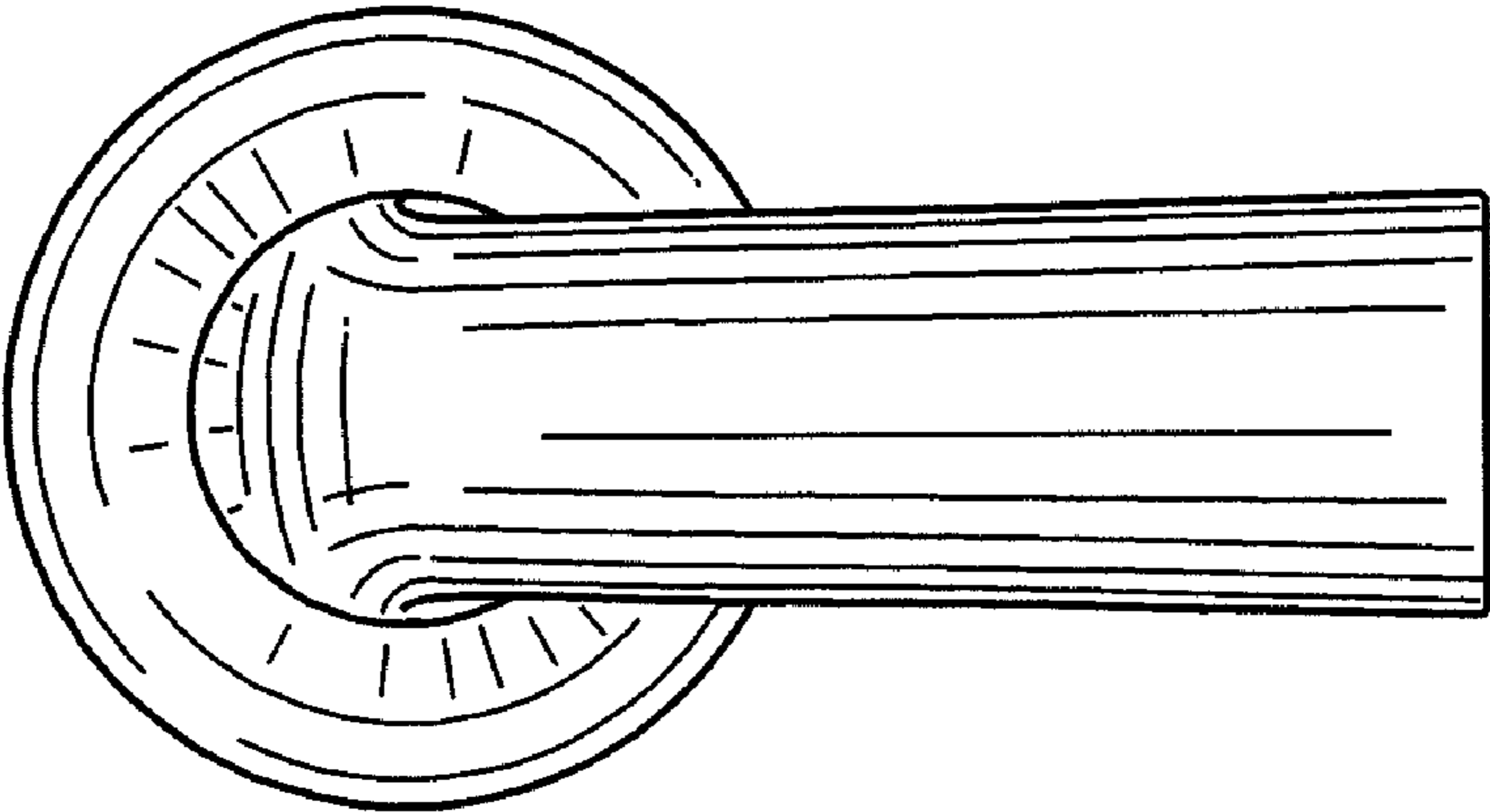


FIG. 6

