



US00D634813S

(12) **United States Design Patent**
Hernandez, IV

(10) **Patent No.:** **US D634,813 S**
(45) **Date of Patent:** **** Mar. 22, 2011**

- (54) **VALVE**
- (75) **Inventor:** **Luciano Hernandez, IV**, Holland, MI (US)
- (73) **Assignee:** **Dasher Medical Supply, LLC**, Grandville, MI (US)
- (**) **Term:** **14 Years**
- (21) **Appl. No.:** **29/369,405**
- (22) **Filed:** **Sep. 8, 2010**
- (51) **LOC (9) Cl.** **23-01**
- (52) **U.S. Cl.** **D23/233; D24/110.6**
- (58) **Field of Classification Search** **D23/233-237, D23/244-246; D24/110.6; 128/204.21; 600/529, 532; 137/460, 505.37, 505.42, 137/505.46, 505.47, 607**
See application file for complete search history.

- D526,046 S * 8/2006 Lin D23/235
- 7,255,131 B2 8/2007 Paper et al.
- D616,067 S * 5/2010 Cavagna D23/233
- D623,273 S * 9/2010 Cavagna D23/233

OTHER PUBLICATIONS

Precision Medical® Flow Selector literature, 2006 ©.

* cited by examiner

Primary Examiner — Cathron C. Brooks

Assistant Examiner — Maurice Stevens

(74) *Attorney, Agent, or Firm* — Price, Heneveld, Cooper, DeWitt & Litton, LLP

(57) **CLAIM**

I claim the ornamental design for the valve, as shown.

DESCRIPTION

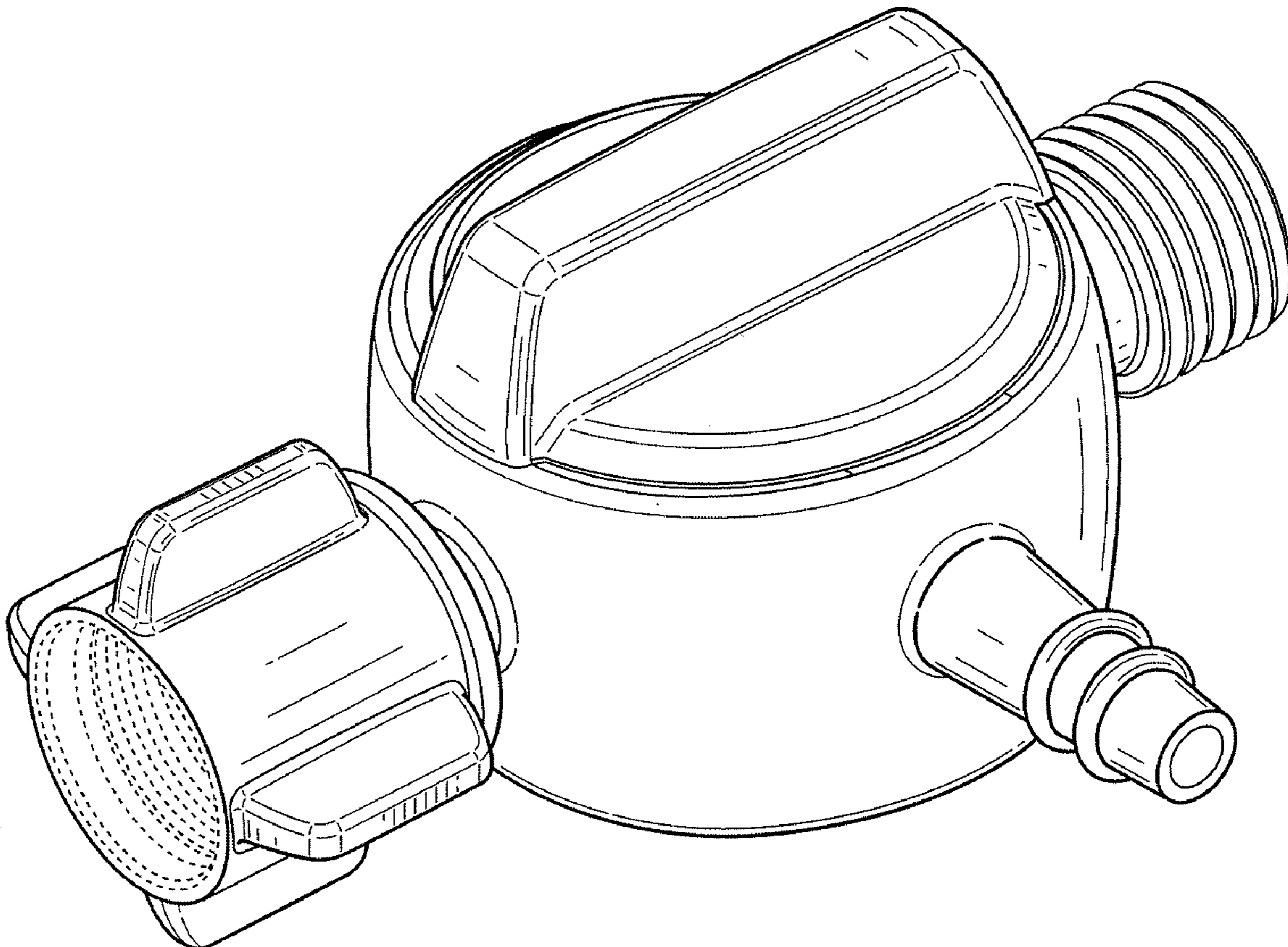
FIG. 1 is a perspective view of the valve;
FIG. 2 is a top plan view of the valve;
FIG. 3 is a bottom plan view of the valve;
FIG. 4 is a front elevational view of the valve;
FIG. 5 is a rear elevational view of the valve;
FIG. 6 is a left side elevational view of the valve; and,
FIG. 7 is a right side elevational view of the valve.

1 Claim, 7 Drawing Sheets

(56) **References Cited**

U.S. PATENT DOCUMENTS

- D362,488 S * 9/1995 Lee D23/235
- D362,712 S * 9/1995 Lee D23/235
- D379,845 S * 6/1997 Lee D23/235



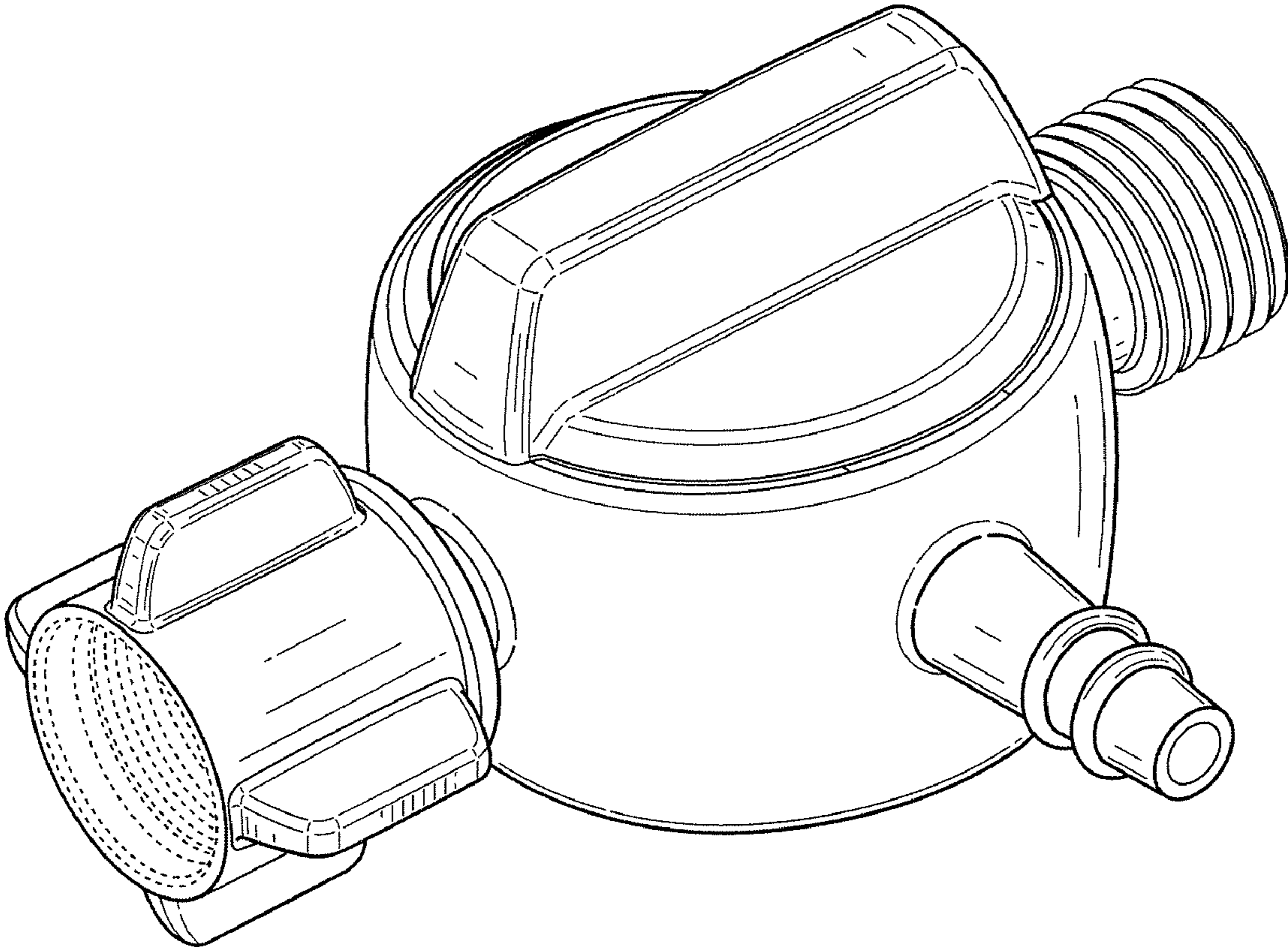


FIG. 1

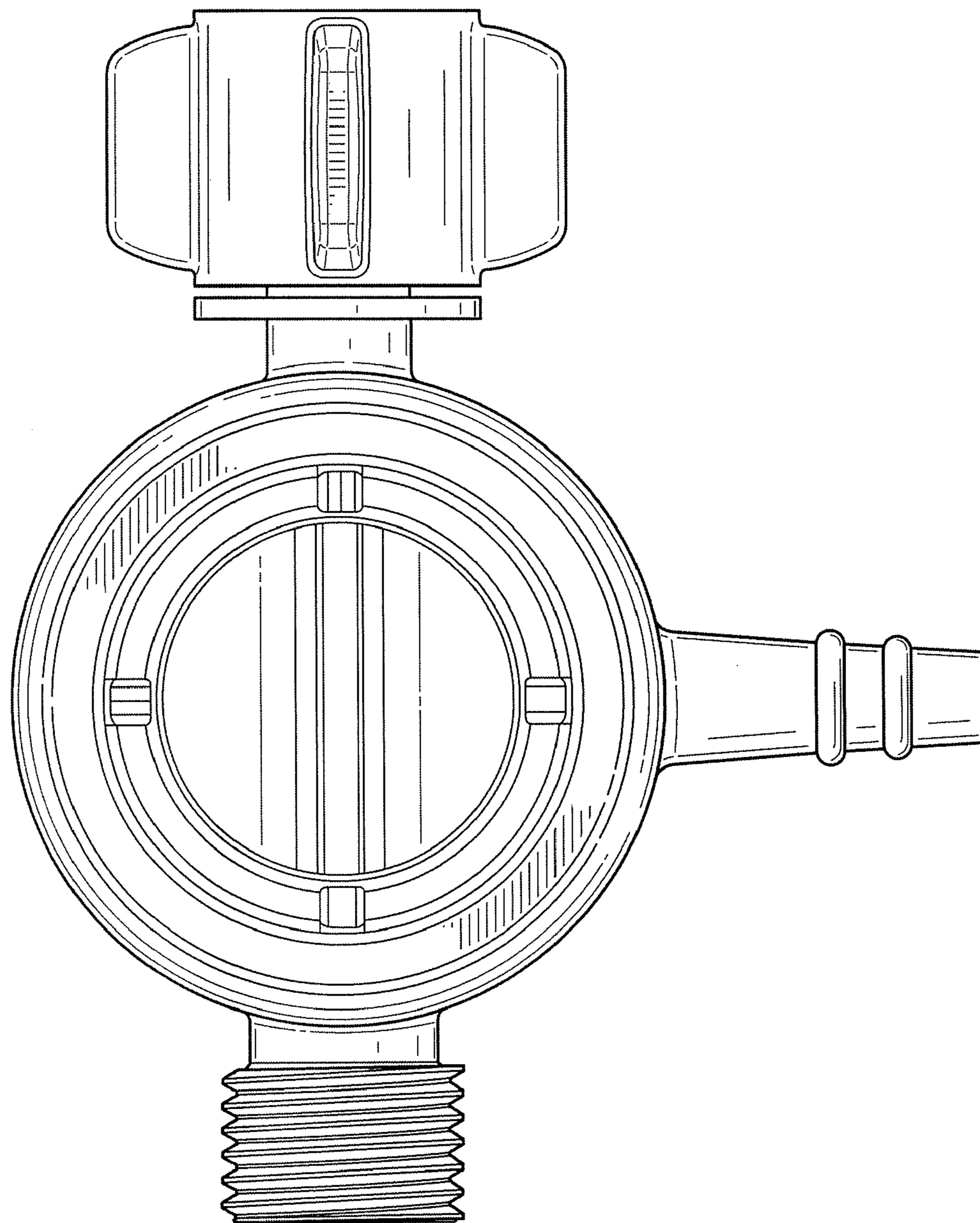


FIG. 2

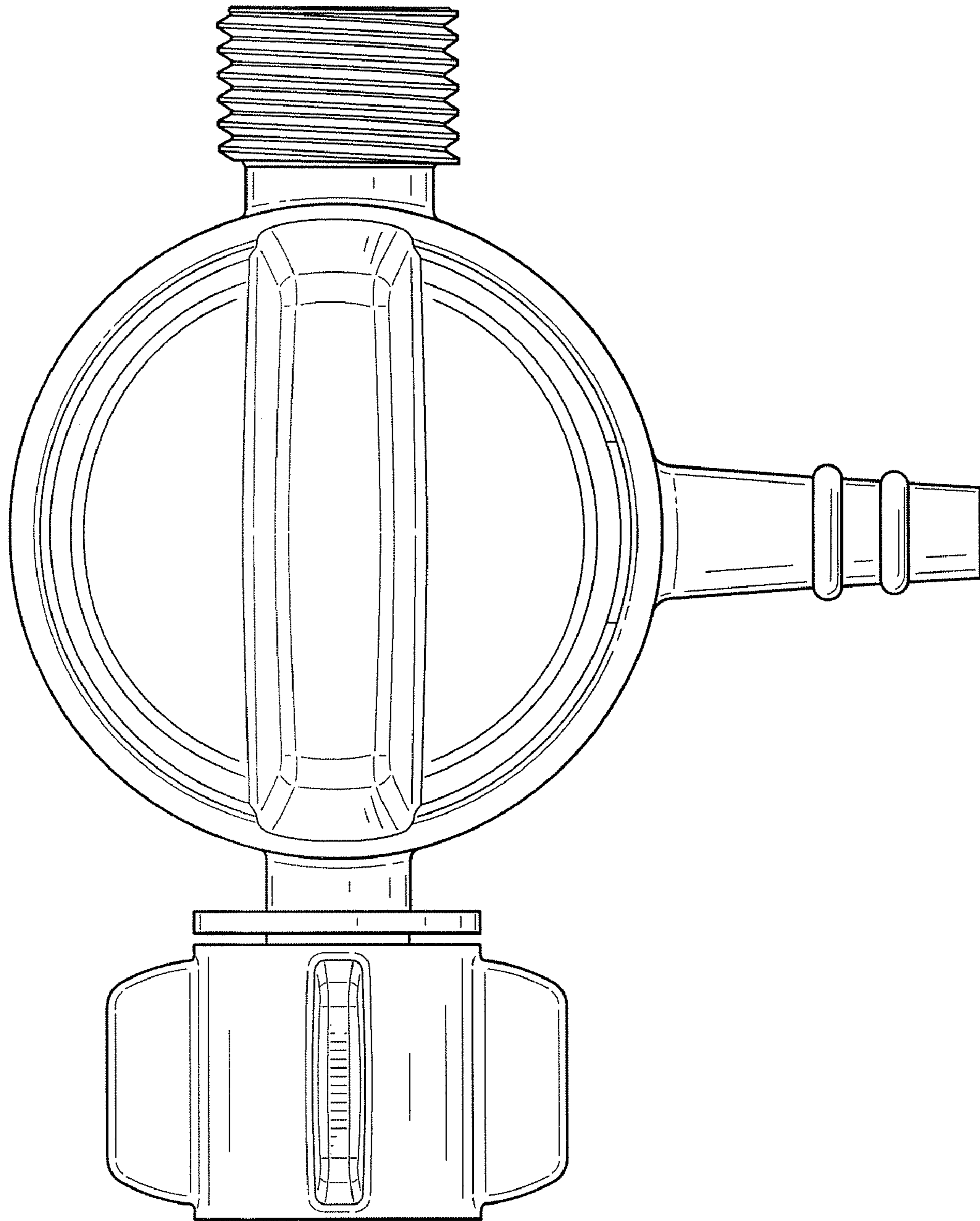


FIG. 3

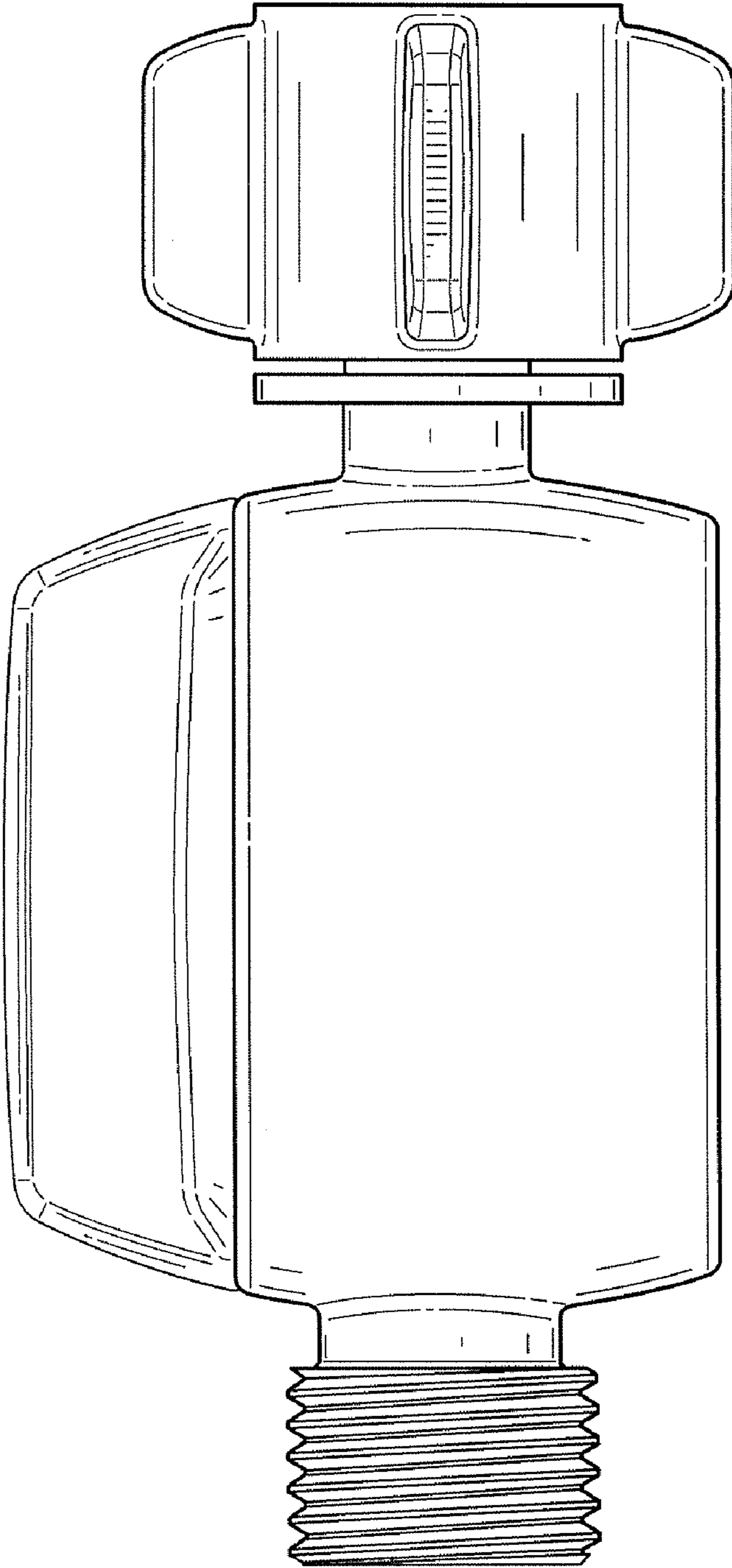


FIG. 4

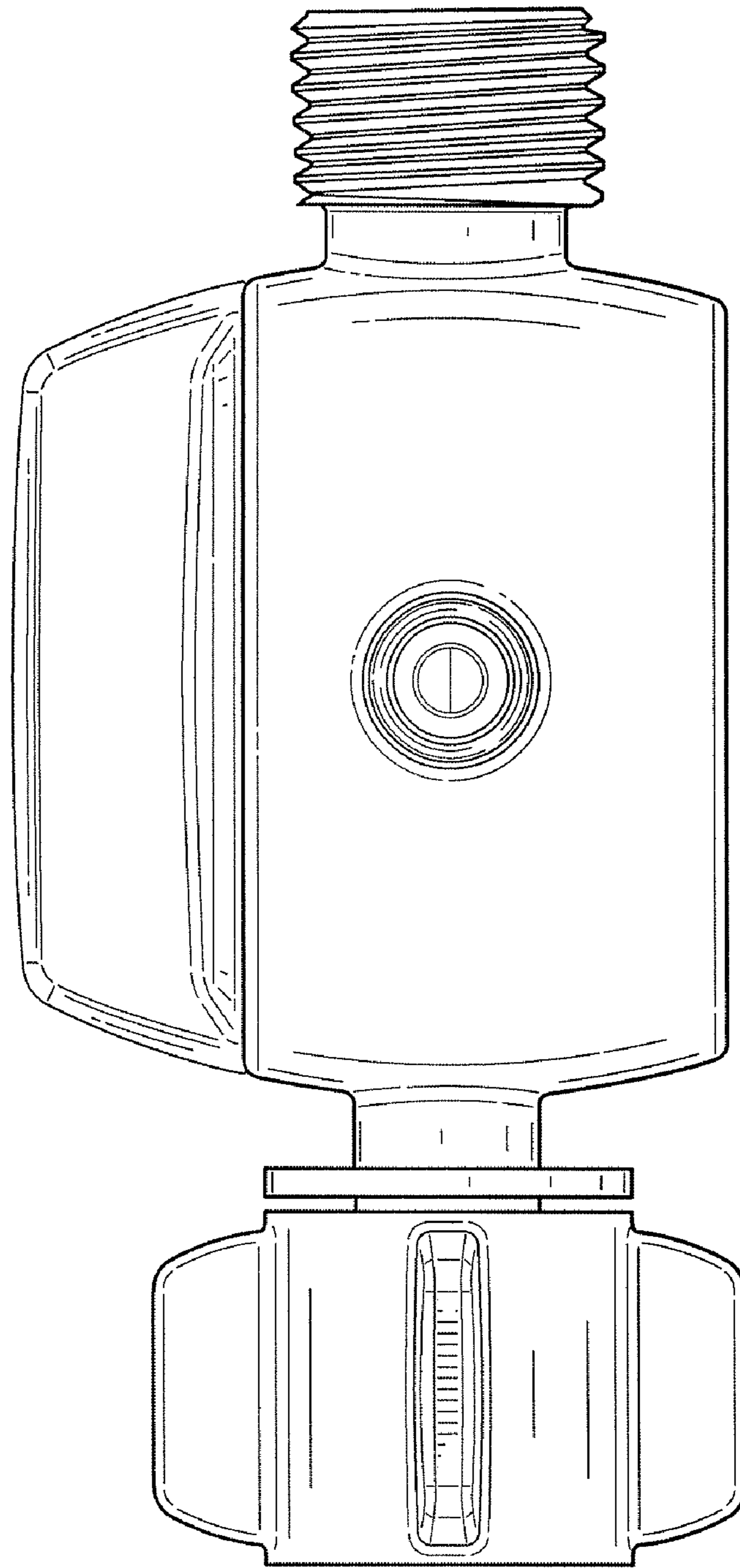


FIG. 5

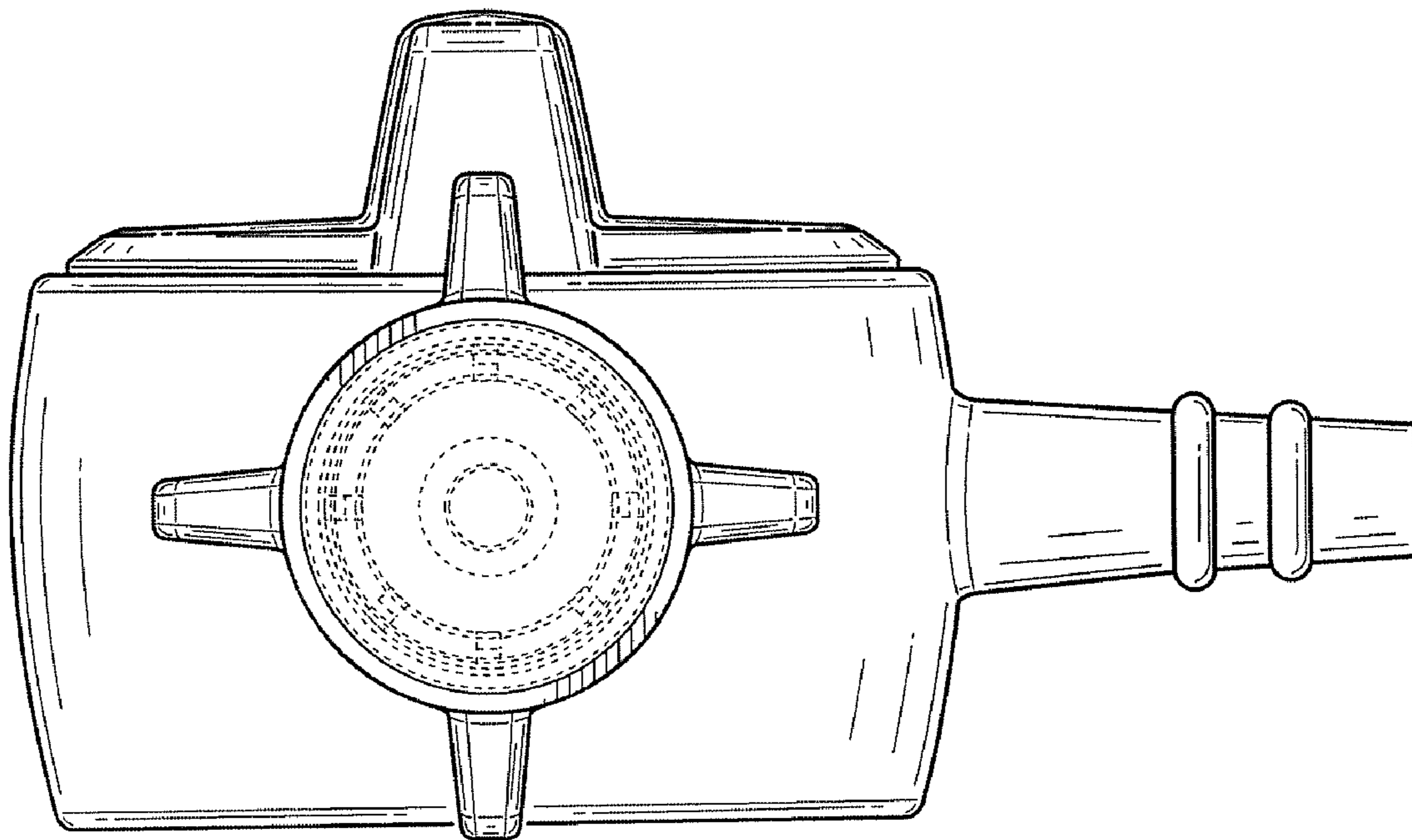


FIG. 6

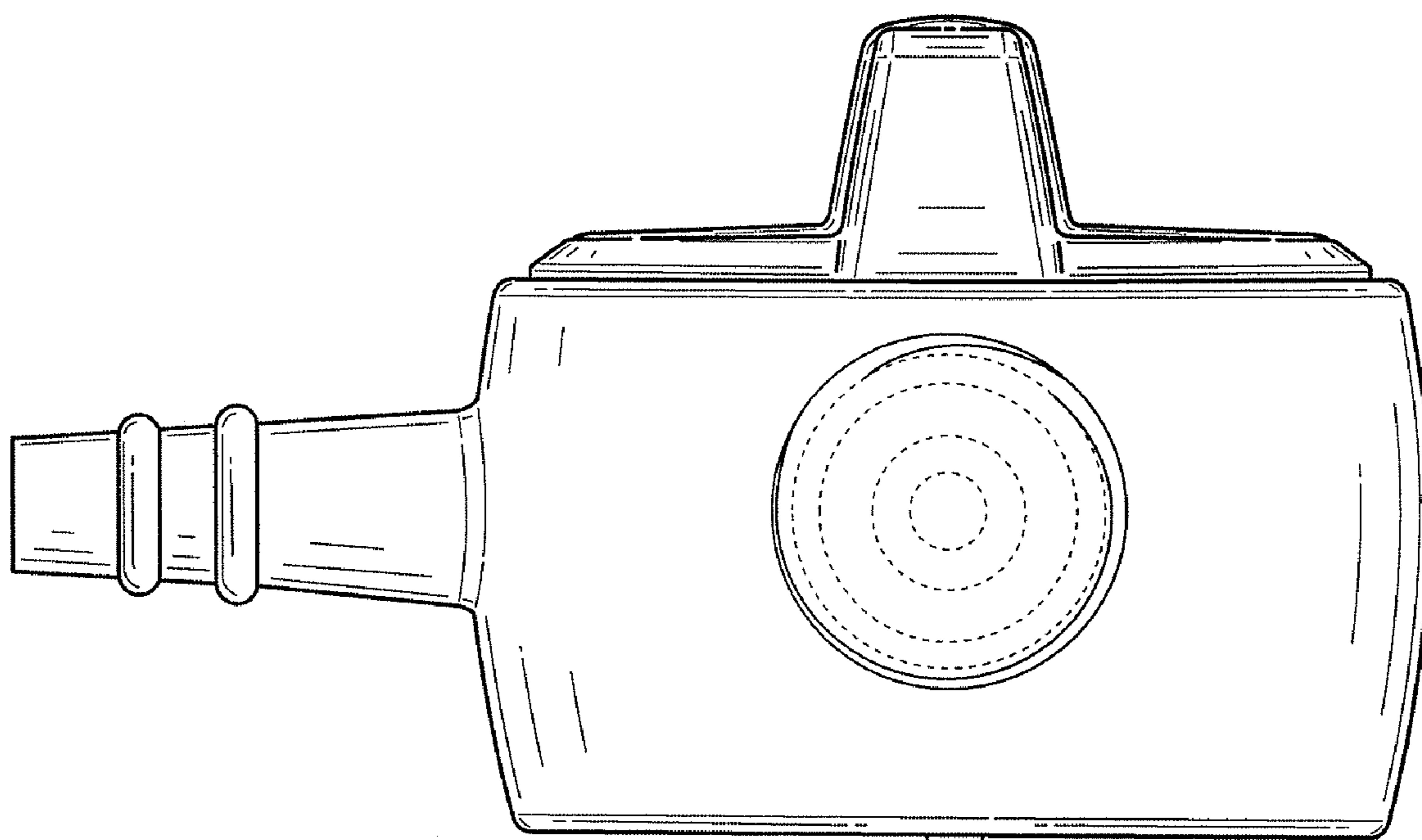


FIG. 7