



US00D634811S

(12) **United States Design Patent**
Perkins

(10) **Patent No.:** **US D634,811 S**
(45) **Date of Patent:** **** Mar. 22, 2011**

(54) **SPRINKLER APPARATUS**

(76) Inventor: **Robert Perkins**, Bremerton, WA (US)

(**) Term: **14 Years**

(21) Appl. No.: **29/376,197**

(22) Filed: **Oct. 4, 2010**

(51) **LOC (9) Cl.** **23-01**

(52) **U.S. Cl.** **D23/214**

(58) **Field of Classification Search** D23/213,
D23/214-219; 239/201-204

See application file for complete search history.

(56) **References Cited**

U.S. PATENT DOCUMENTS

4,913,351	A *	4/1990	Costa	239/74
D316,892	S *	5/1991	Clivio	D23/214
5,242,112	A *	9/1993	Dunn et al.	239/203
D349,152	S *	7/1994	Hayes	D23/214
D466,971	S *	12/2002	Clivio	D23/214
D508,973	S *	8/2005	Sener et al.	D23/214
7,121,478	B1 *	10/2006	Jones	239/203

* cited by examiner

Primary Examiner — Robin V Webster

(74) *Attorney, Agent, or Firm* — Italia IP; James A. Italia

(57) **CLAIM**

The ornamental design for a sprinkler apparatus, as shown and described.

DESCRIPTION

FIG. 1 is a perspective view of a sprinkler apparatus, showing my new design;

FIG. 2 is a front elevational view of the sprinkler apparatus shown in FIG. 1;

FIG. 3 is a rear elevational view of the sprinkler apparatus shown in FIG. 1;

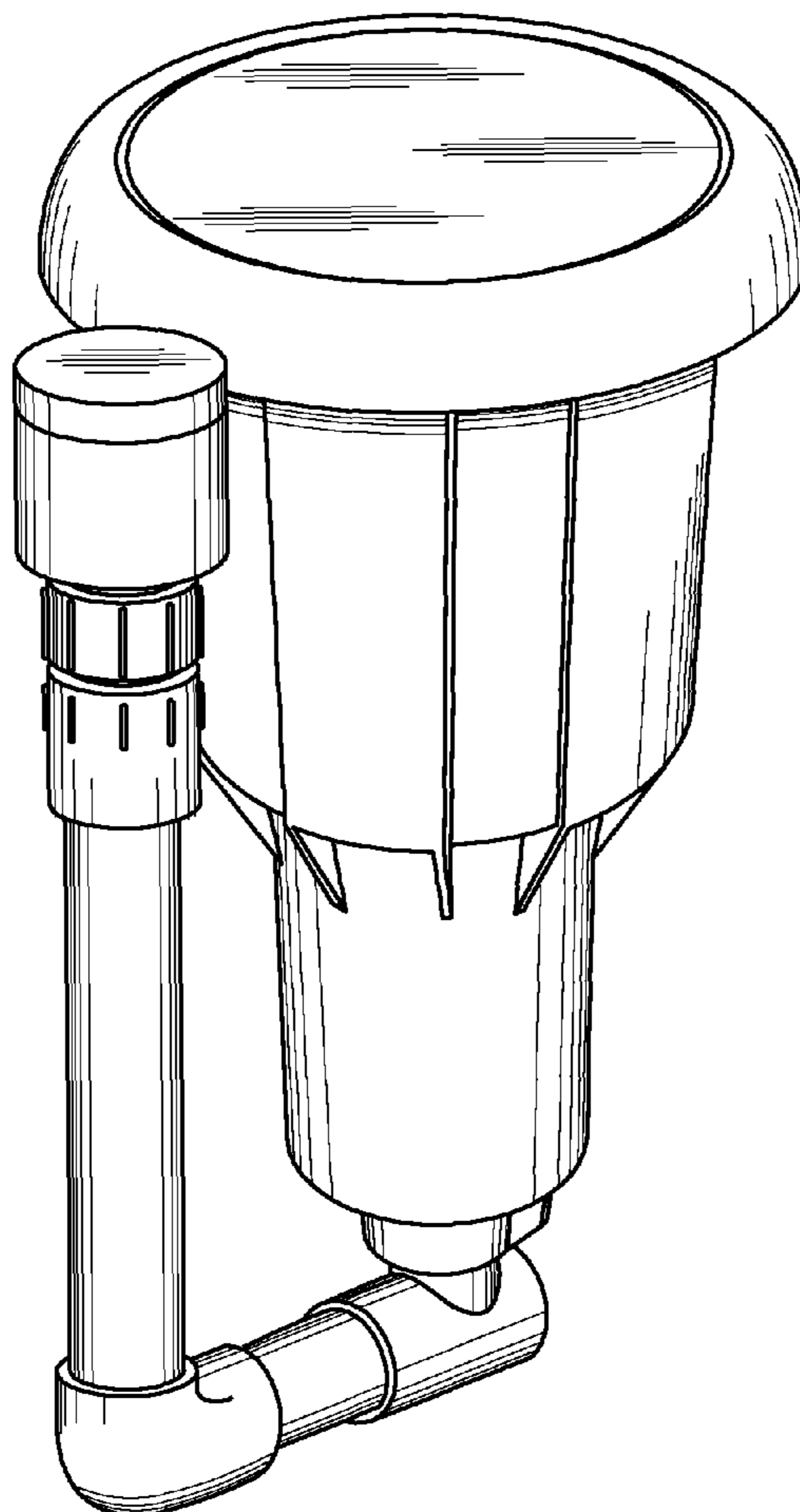
FIG. 4 is a right-side elevational view of the sprinkler apparatus shown in FIG. 1;

FIG. 5 is a left-side elevational view of the sprinkler apparatus shown in FIG. 1;

FIG. 6 is a top plan view of the sprinkler apparatus shown in FIG. 1; and,

FIG. 7 is a bottom plan view of the sprinkler apparatus shown in FIG. 1.

1 Claim, 4 Drawing Sheets



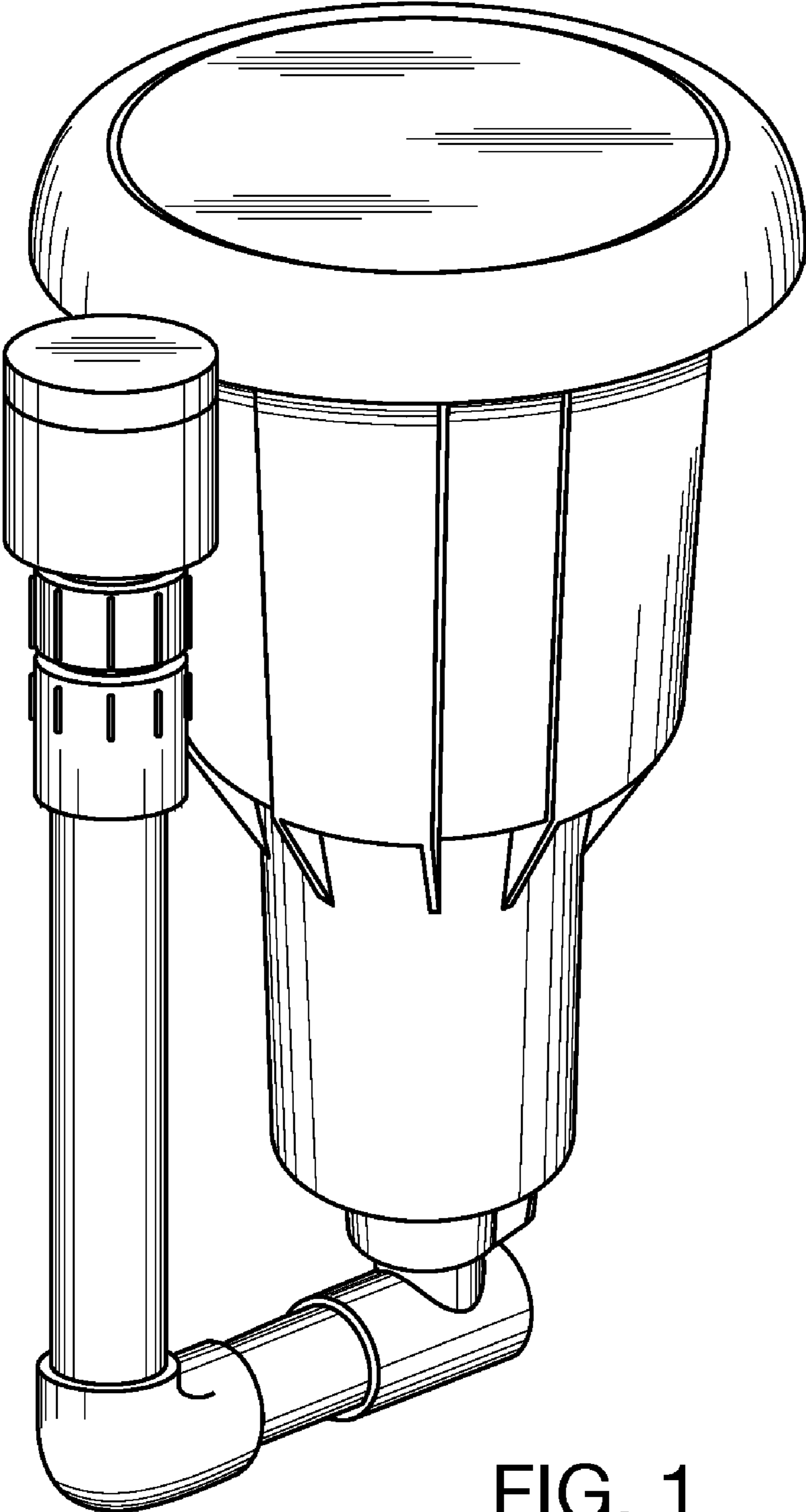


FIG. 1

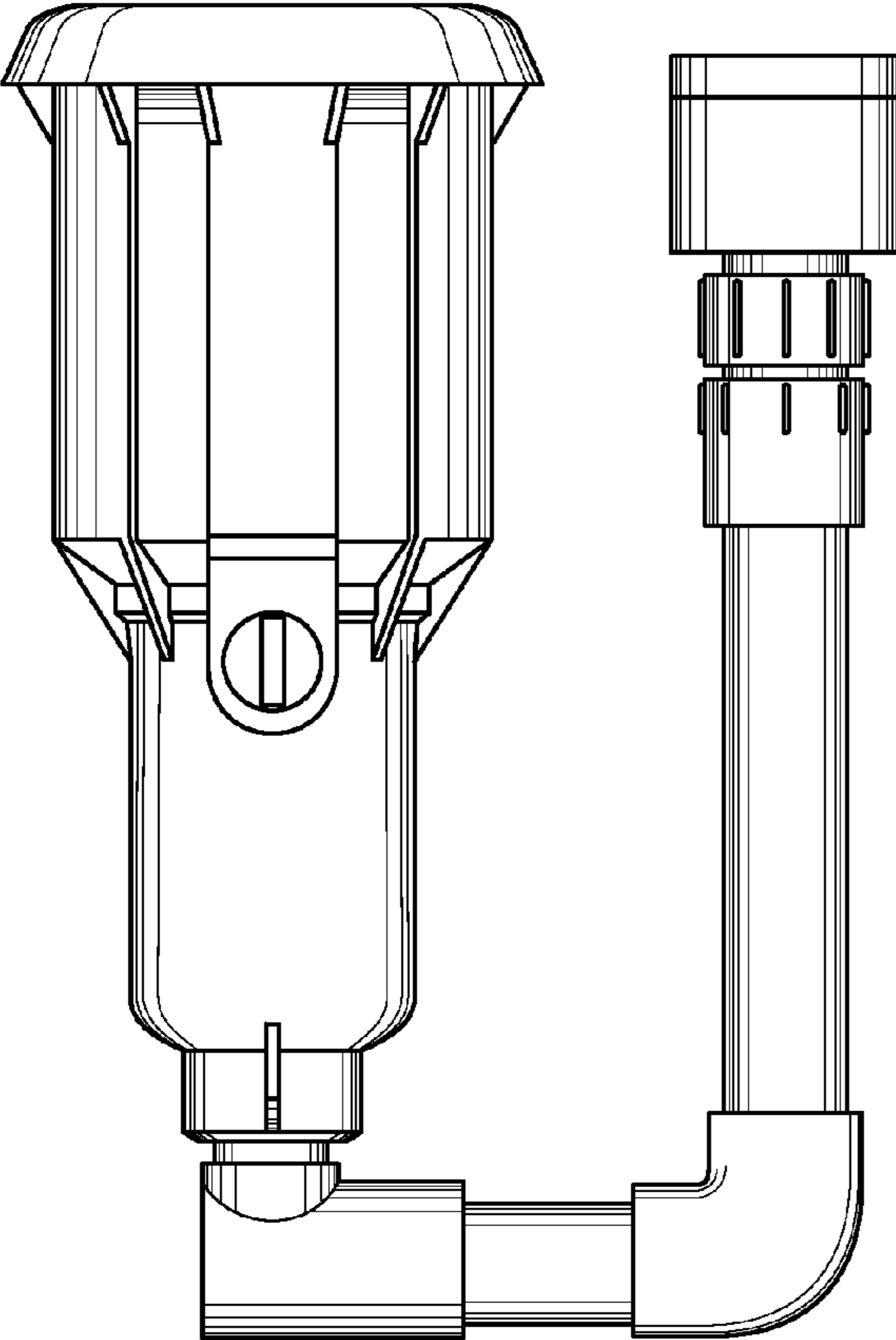


FIG. 2

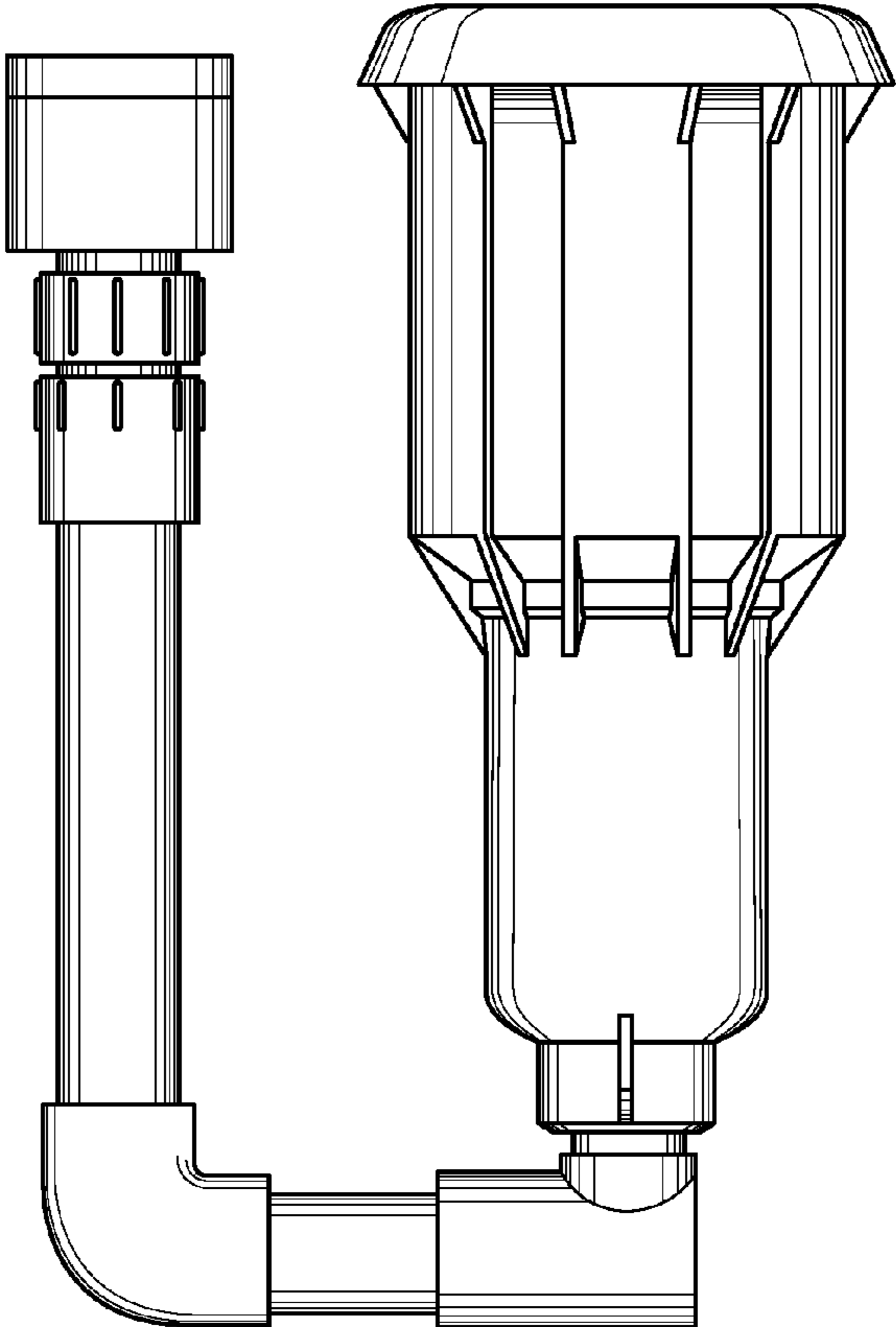


FIG. 3

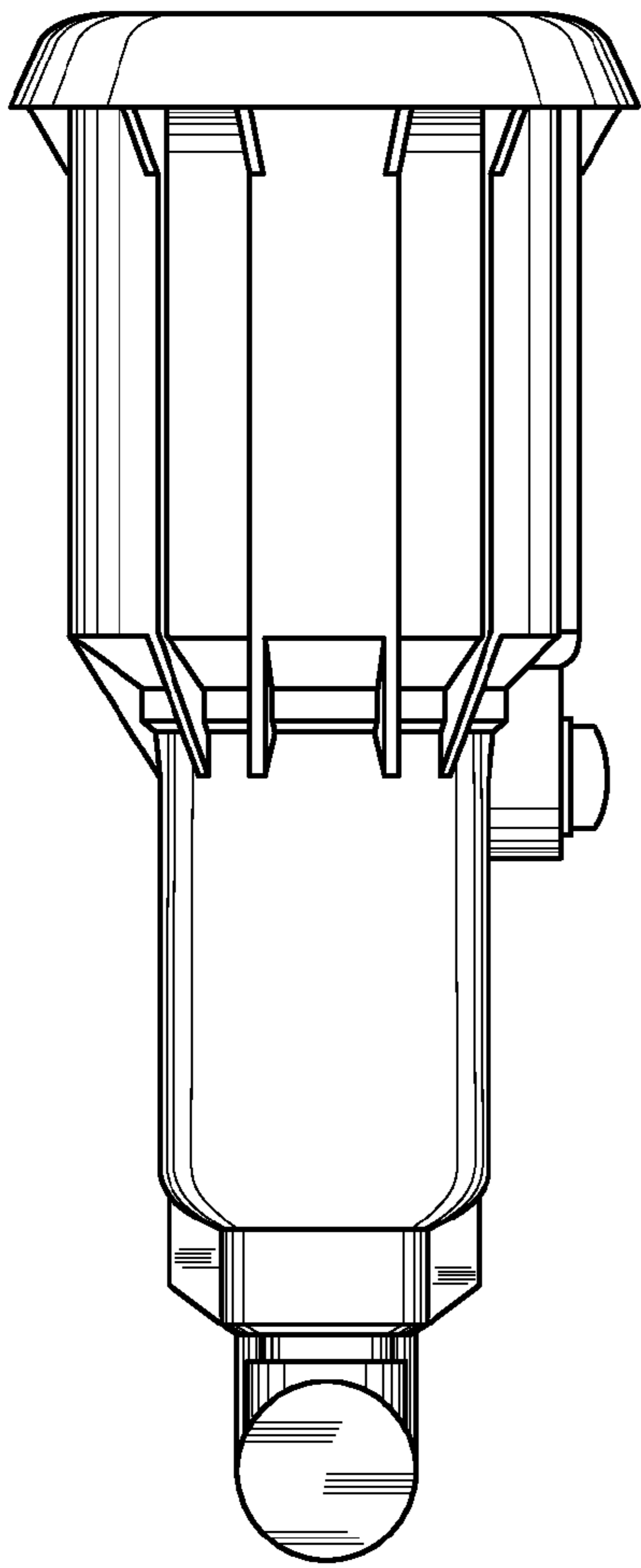


FIG. 4

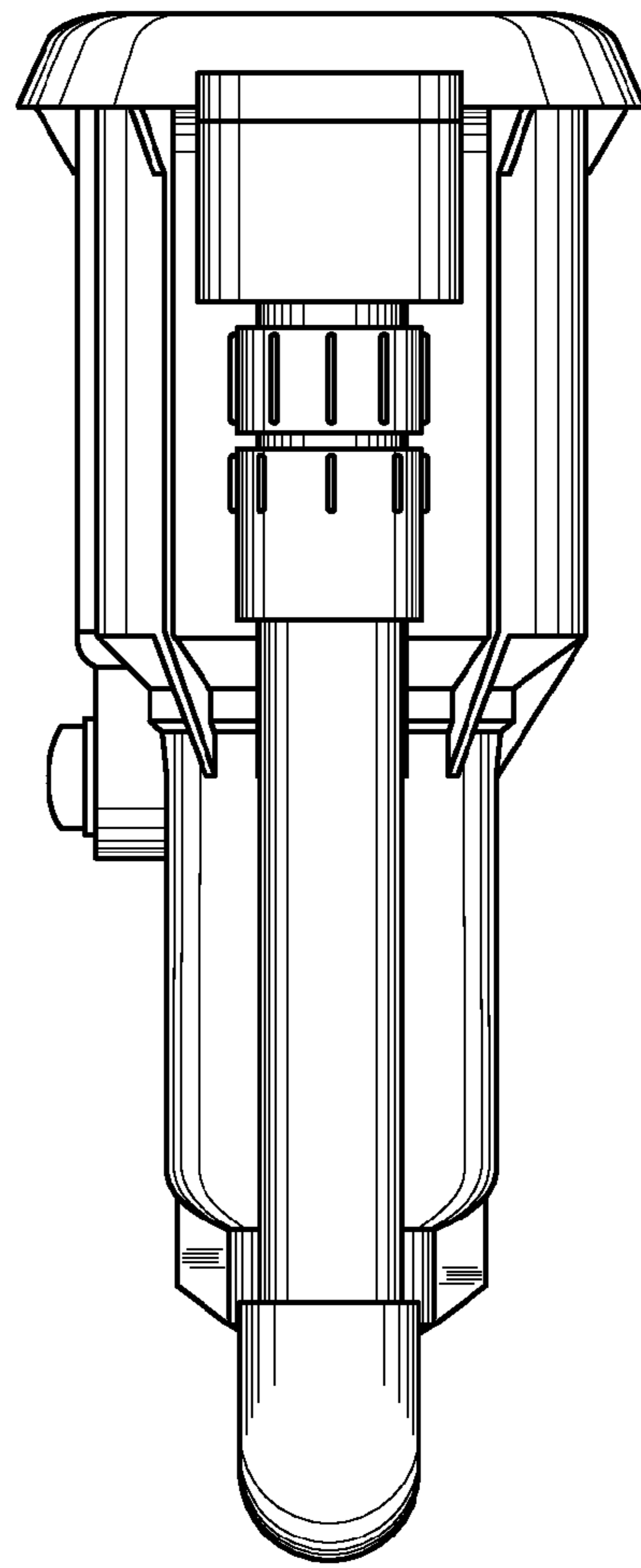


FIG. 5

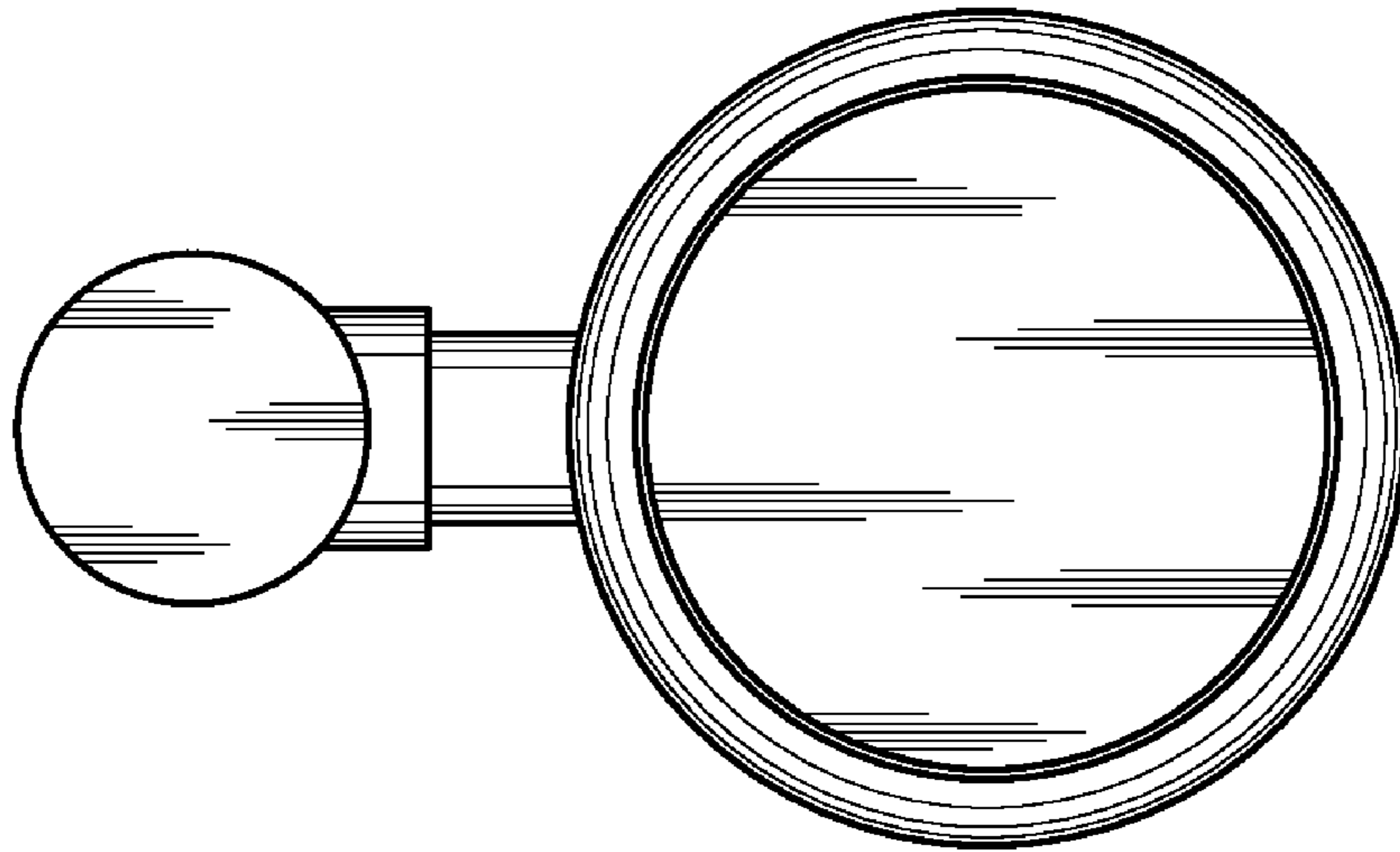


FIG. 6

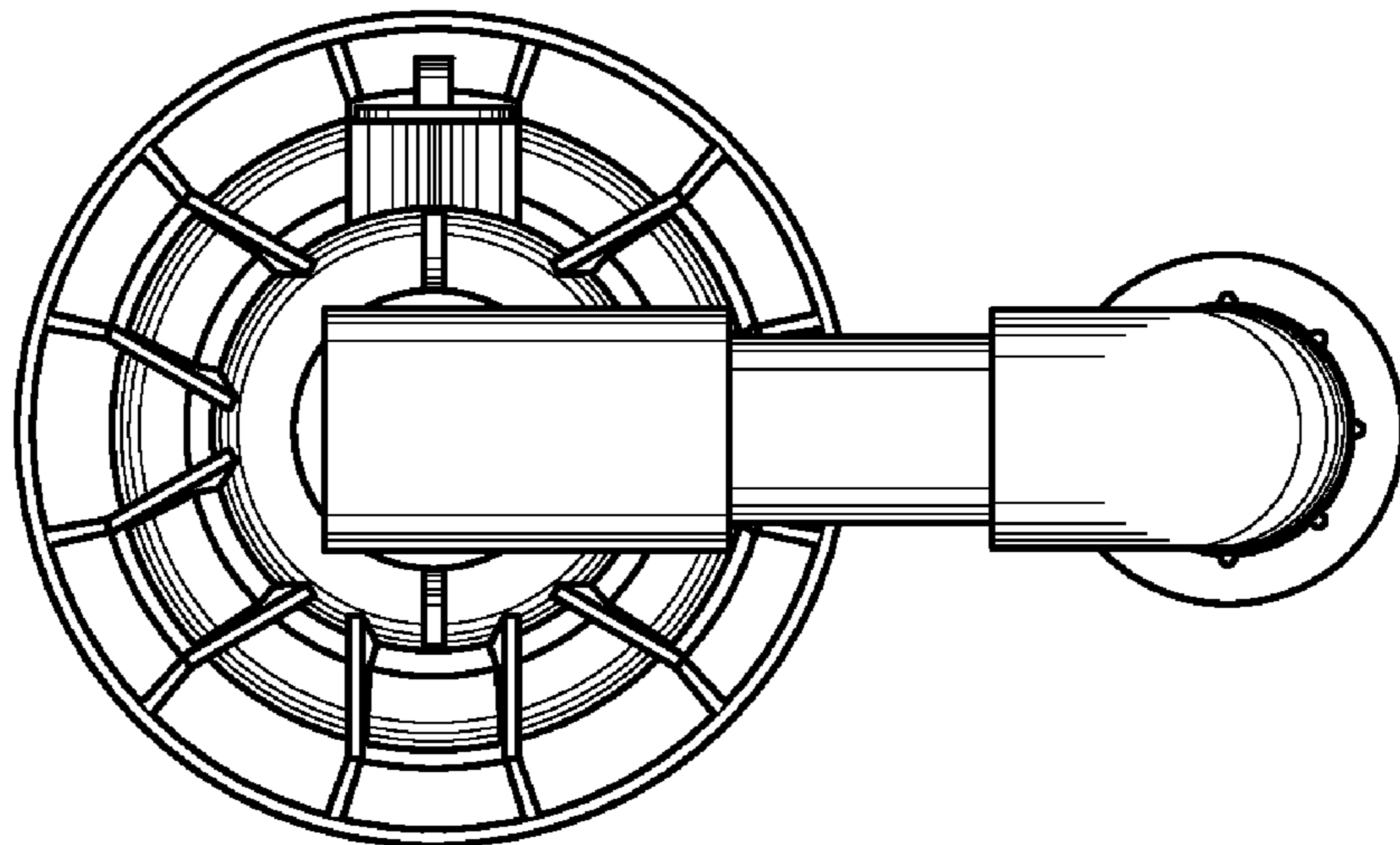


FIG. 7