



US00D634810S

(12) **United States Design Patent**
Yoo et al.

(10) **Patent No.:** **US D634,810 S**
(45) **Date of Patent:** **** Mar. 22, 2011**

- (54) **FACEPLATE FOR SHOWERHEAD**
- (75) Inventors: **Man Ki Yoo**, Skokie, IL (US); **Julian Giggs**, Hillsdale, MI (US); **Michael Miller**, Portage, MI (US)
- (73) Assignee: **Alsons Corporation**, Hillsdale, MI (US)
- (**) Term: **14 Years**
- (21) Appl. No.: **29/361,081**
- (22) Filed: **May 5, 2010**
- (51) **LOC (9) Cl.** **23-01**
- (52) **U.S. Cl.** **D23/213; D23/223**
- (58) **Field of Classification Search** D23/213, D23/223, 229-230; 239/282-283; 4/615
See application file for complete search history.

- D619,202 S * 7/2010 Zhang D23/213
- D619,214 S * 7/2010 Lee D23/223
- D621,905 S * 8/2010 Yoo et al. D23/213
- D621,908 S * 8/2010 Yoo et al. D23/223

* cited by examiner

Primary Examiner — Robin V Webster

(74) *Attorney, Agent, or Firm* — Edgar A. Zarins; Nirav D. Parikh

(57) **CLAIM**

The ornamental design for a faceplate for showerhead, as shown and described.

DESCRIPTION

FIG. 1 is a front perspective view of a faceplate for showerhead showing our new design; FIG. 2 is a top view thereof; FIG. 3 is a bottom view thereof; FIG. 4 is a side view thereof; and, FIG. 5 is a front view thereof.

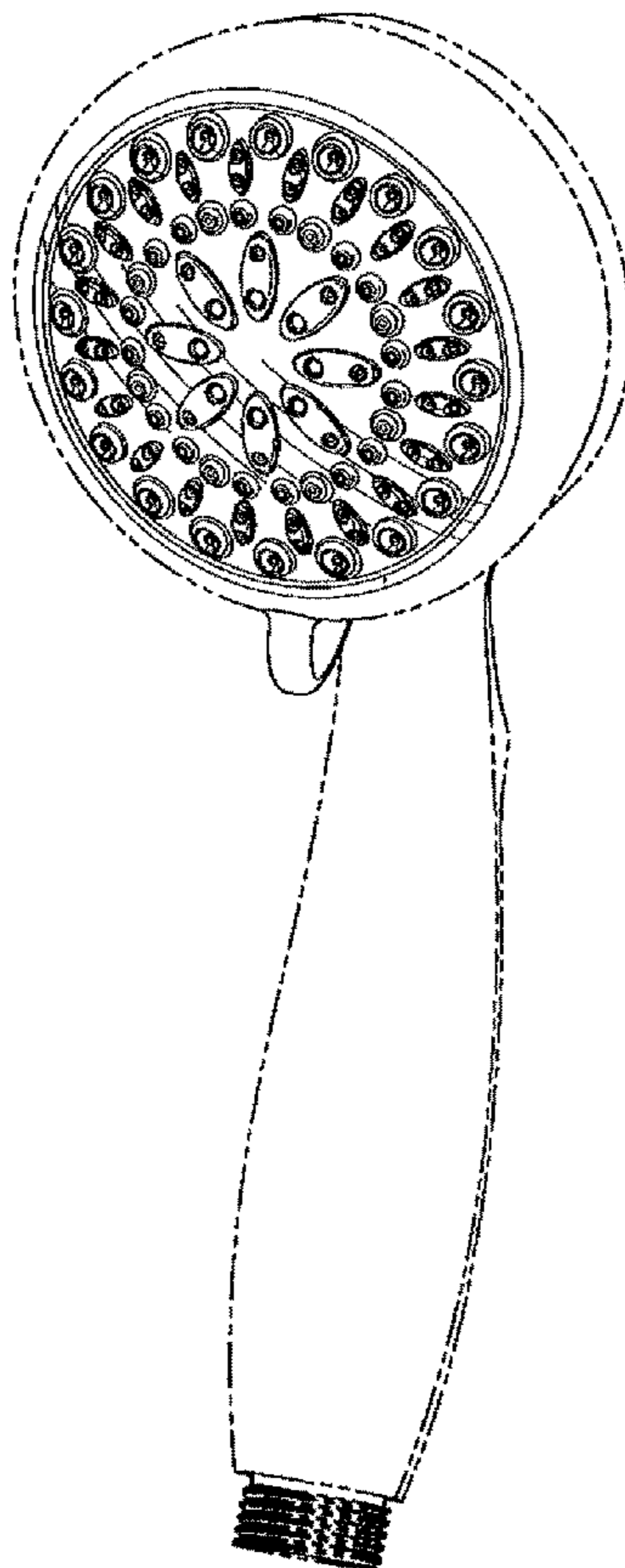
The broken line showing of the body of the showerhead is included for the purpose of illustrating and forms no part of the claimed design.

1 Claim, 2 Drawing Sheets

(56) **References Cited**

U.S. PATENT DOCUMENTS

- D424,164 S * 5/2000 Haug et al. D23/223
- D502,760 S * 3/2005 Zieger et al. D23/223
- D578,604 S * 10/2008 Wu et al. D23/223
- D578,605 S * 10/2008 Wu et al. D23/223
- D599,881 S * 9/2009 Wang et al. D23/213



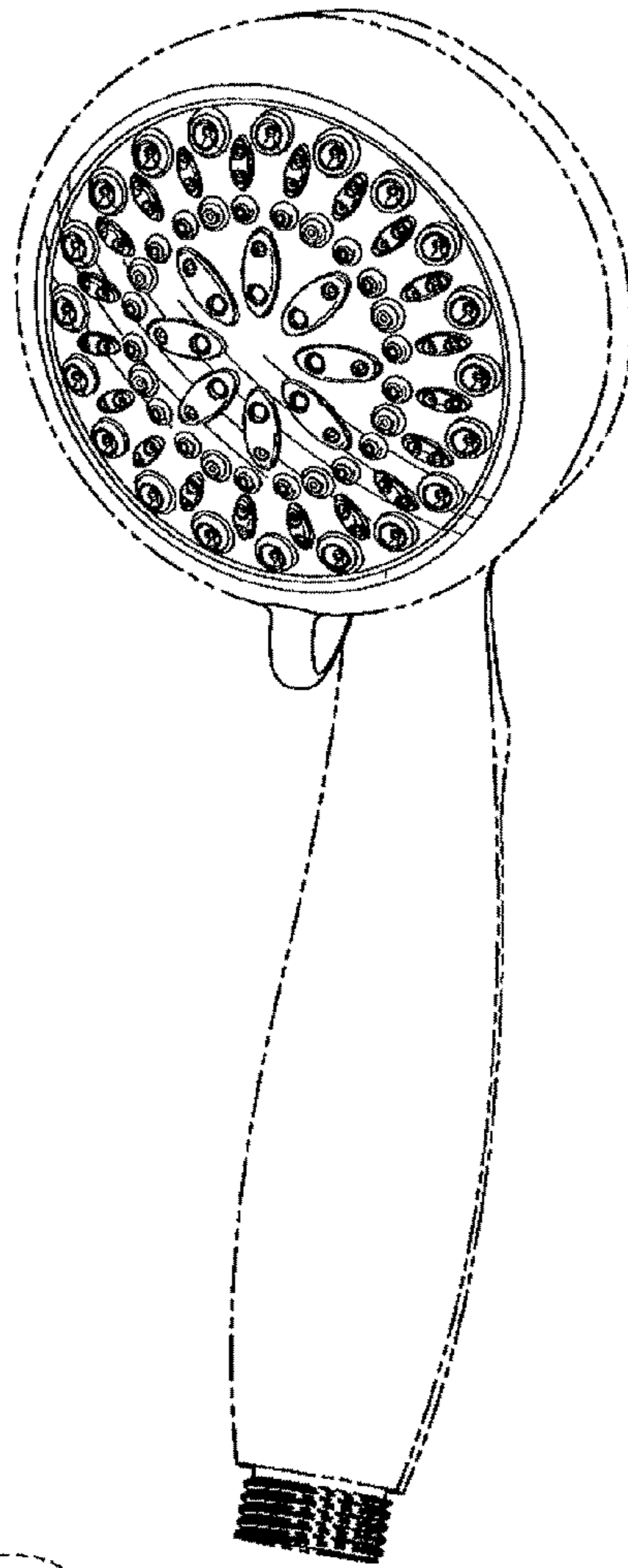


Fig-1

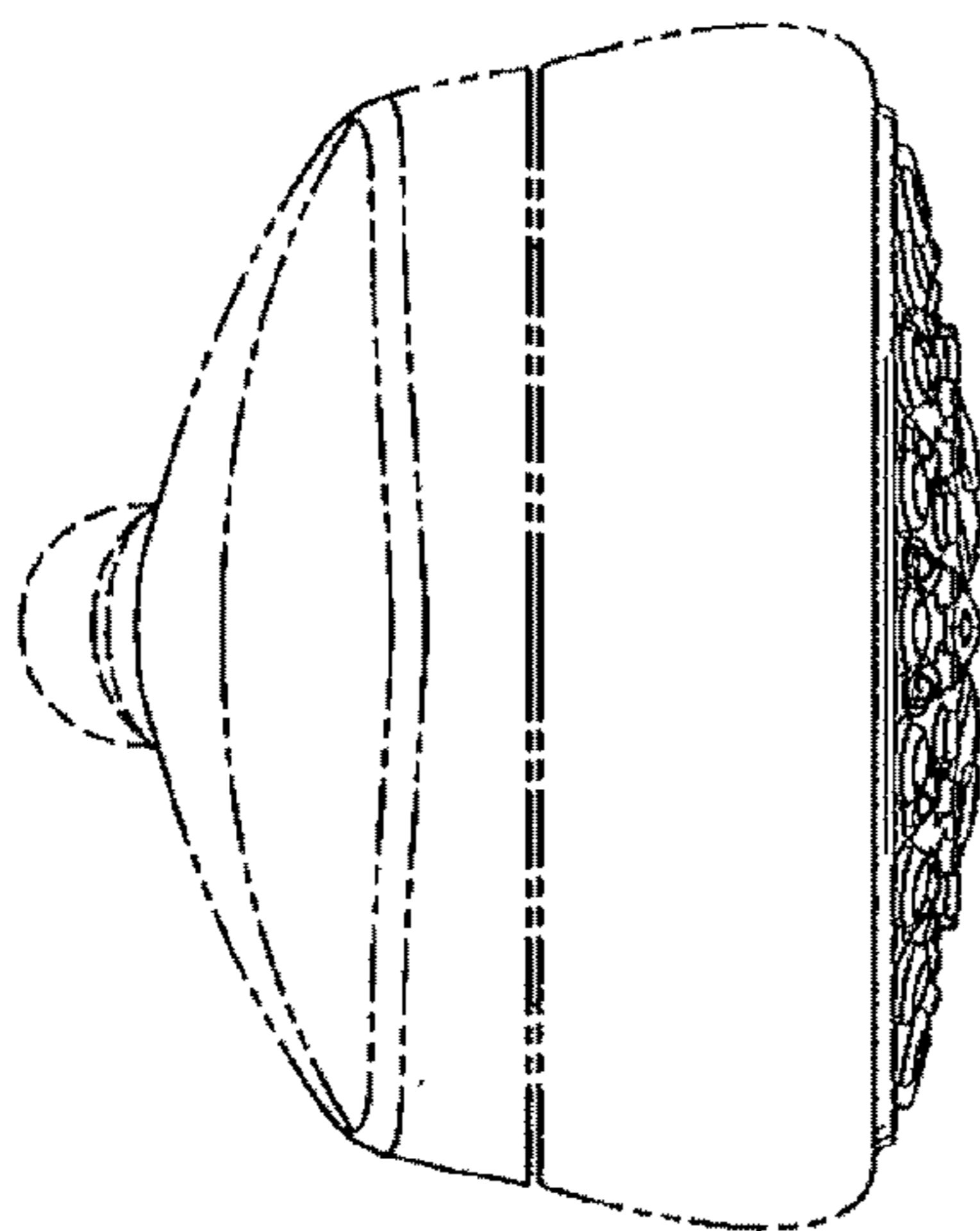


Fig-2

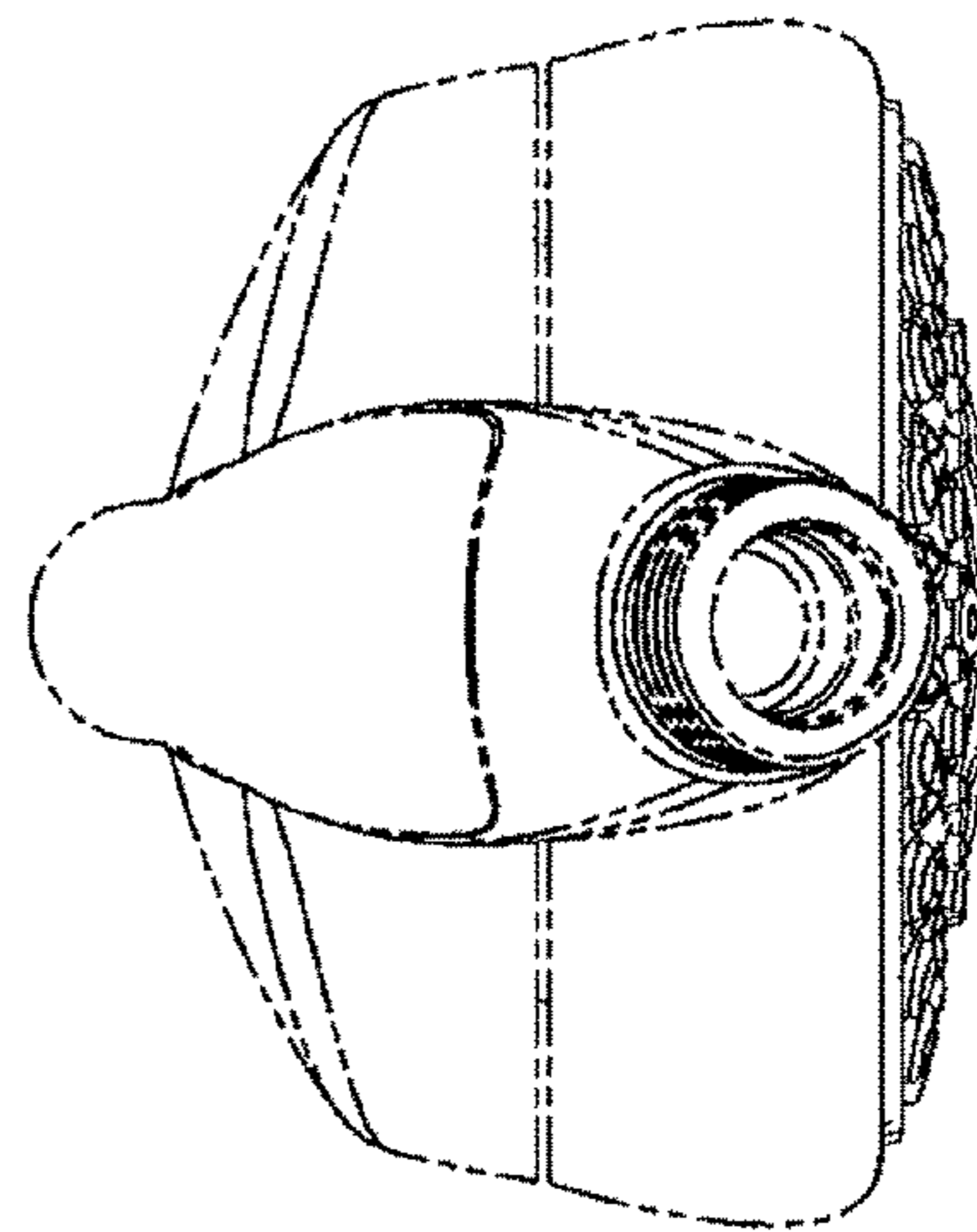


Fig-3

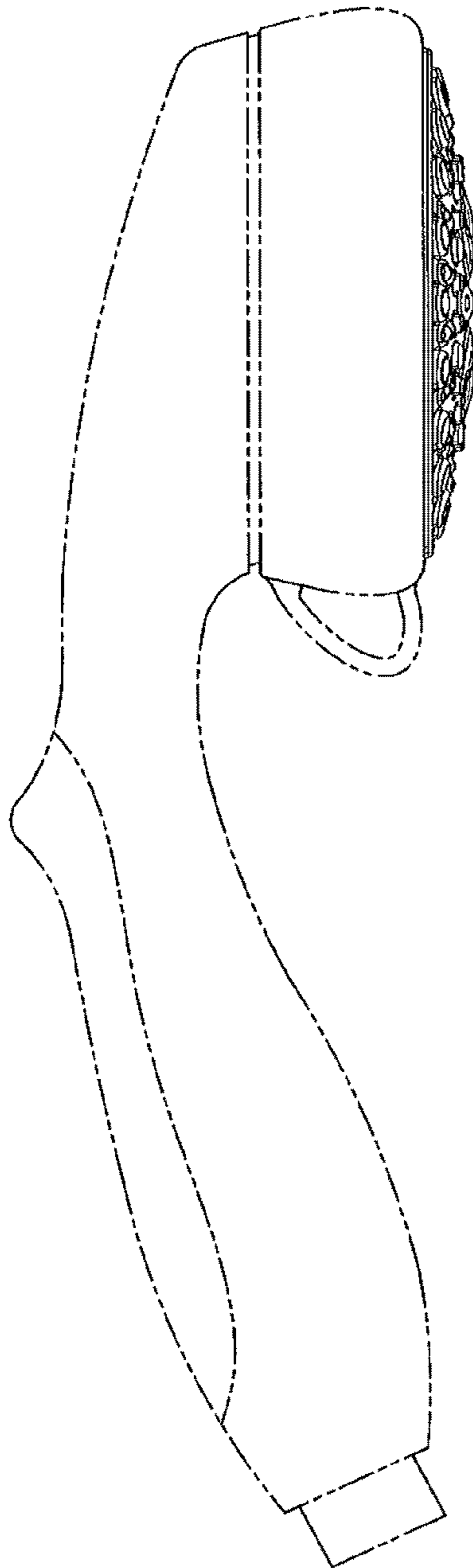


Fig-4

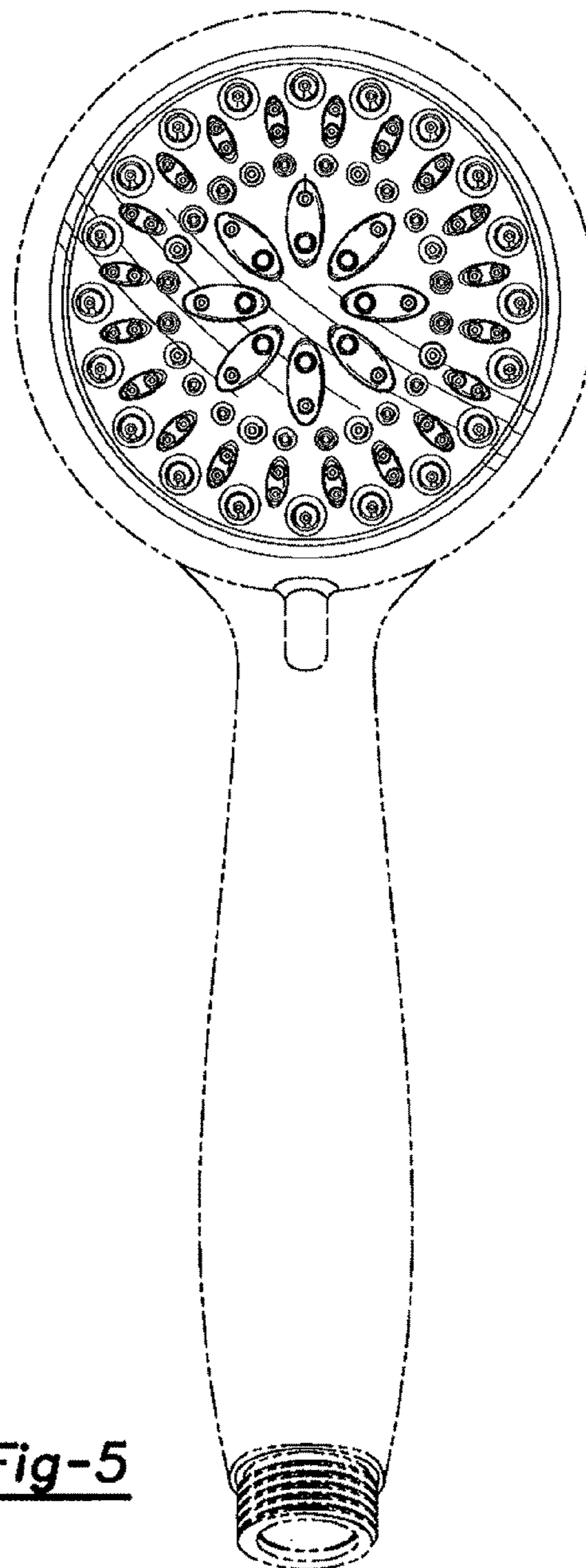


Fig-5