



US00D634808S

(12) **United States Design Patent**  
**Tsai**

(10) **Patent No.:** **US D634,808 S**

(45) **Date of Patent:** **\*\* Mar. 22, 2011**

(54) **MOSQUITO REPELLENT LAMP**

(76) Inventor: **Yi-Yi Tsai**, Taipei County (TW)

(\*\*) Term: **14 Years**

(21) Appl. No.: **29/347,938**

(22) Filed: **Aug. 11, 2010**

(51) **LOC (9) Cl.** ..... **22-06**

(52) **U.S. Cl.** ..... **D22/122**

(58) **Field of Classification Search** ..... D22/119–125;  
43/112–113, 124, 131; D26/26, 37–41  
See application file for complete search history.

(56) **References Cited**

**U.S. PATENT DOCUMENTS**

D281,995 S *	12/1985	Schmidt	.....	D22/122
D359,790 S *	6/1995	Blotnick	.....	D22/122
D491,247 S *	6/2004	Chuang et al.	.....	D22/122
D492,381 S *	6/2004	Chuang et al.	.....	D22/122

D514,656 S *	2/2006	Jean	.....	D22/122
D524,902 S *	7/2006	Masters et al.	.....	D22/122
D532,479 S *	11/2006	Child	.....	D22/122
D572,794 S *	7/2008	Chen	.....	D22/122
D612,902 S *	3/2010	Fleming	.....	D22/123

\* cited by examiner

*Primary Examiner* — Catherine R Oliver

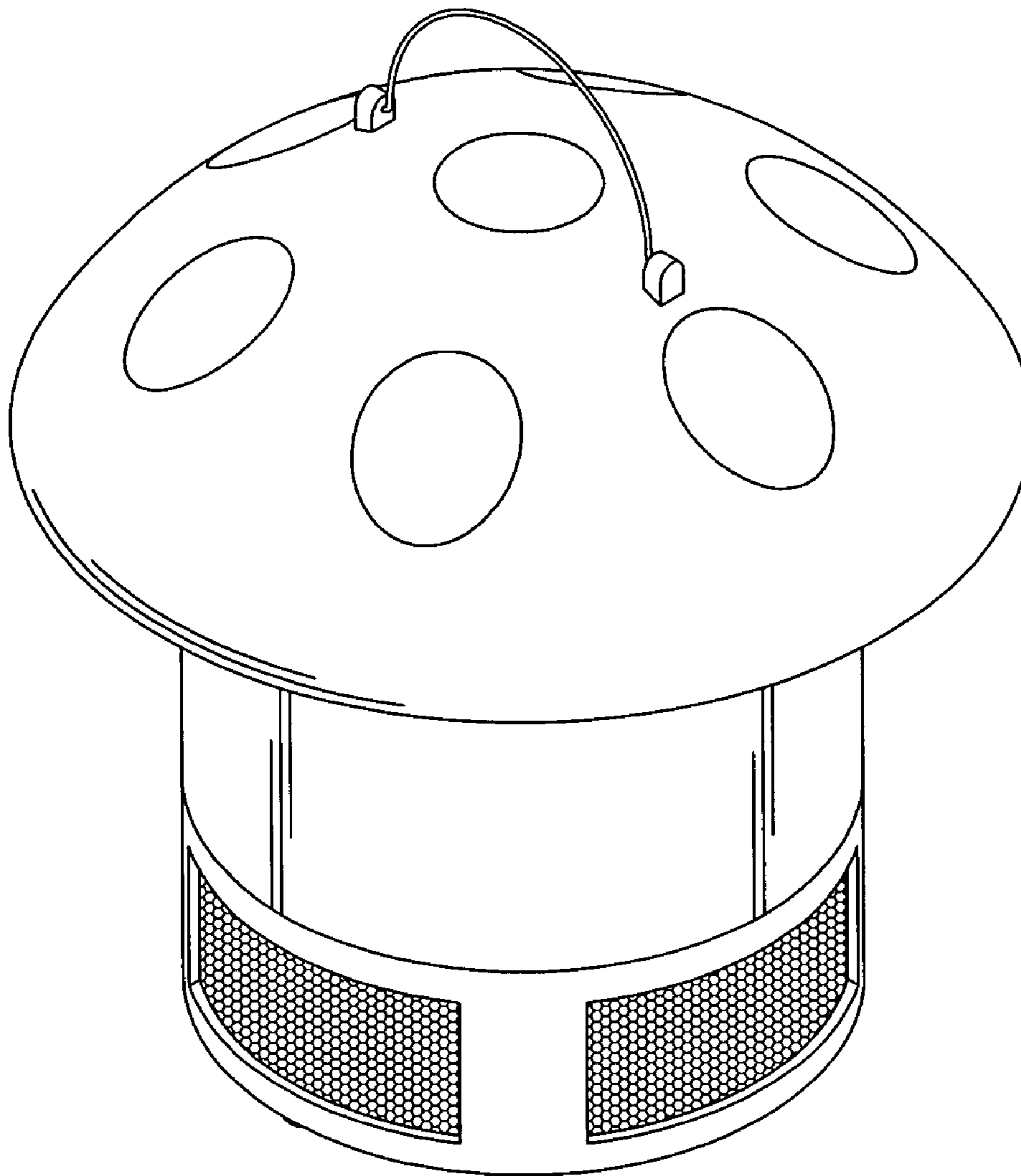
(57) **CLAIM**

The ornamental design for a mosquito repellent lamp, as shown and described.

**DESCRIPTION**

FIG. 1 is a perspective view of a mosquito repellent lamp;  
FIG. 2 is a front view thereof;  
FIG. 3 is a rear view thereof;  
FIG. 4 is a left view thereof;  
FIG. 5 is a right view thereof;  
FIG. 6 is a top view thereof; and,  
FIG. 7 is a bottom view thereof.

**1 Claim, 7 Drawing Sheets**



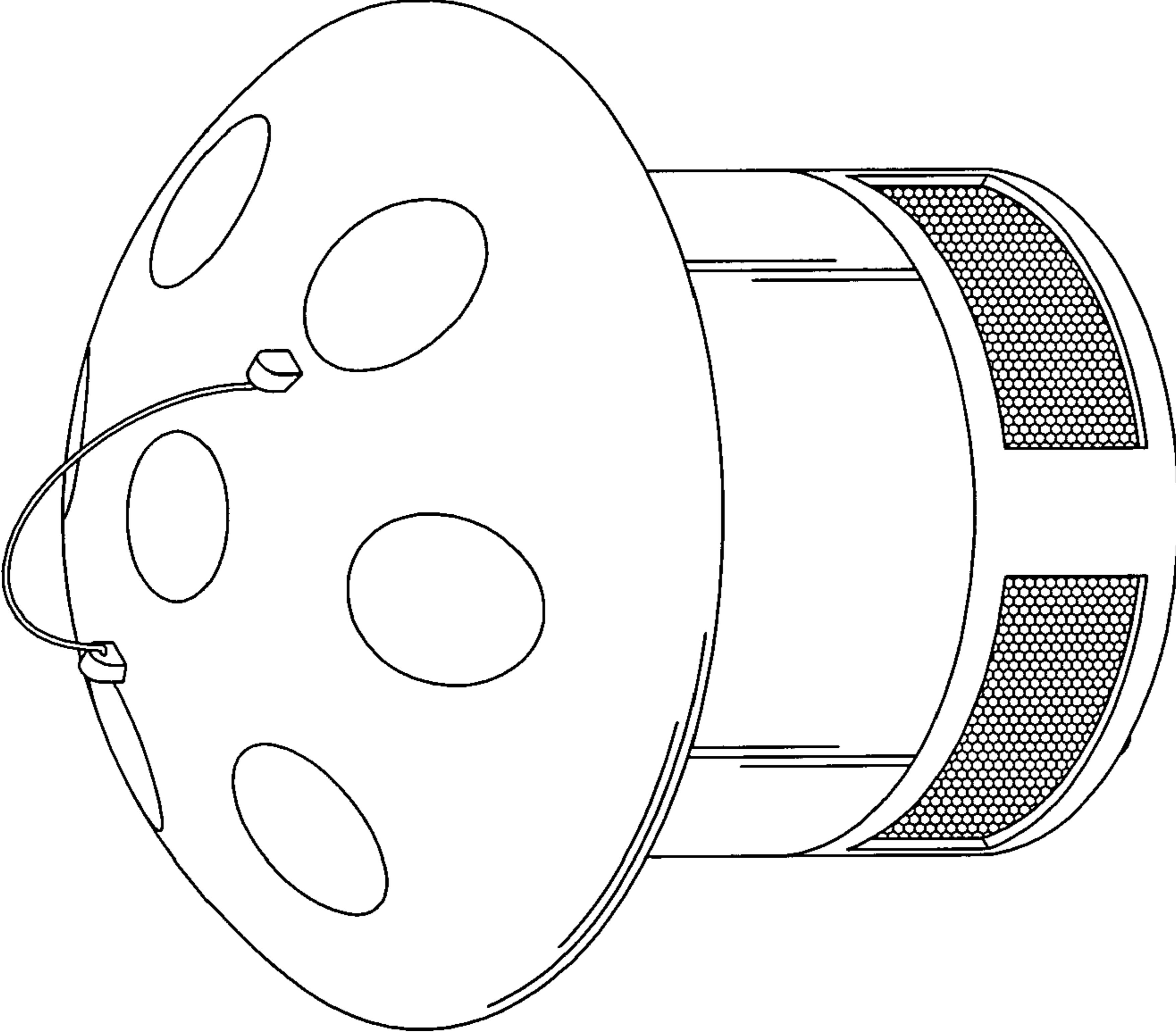


FIG. 1

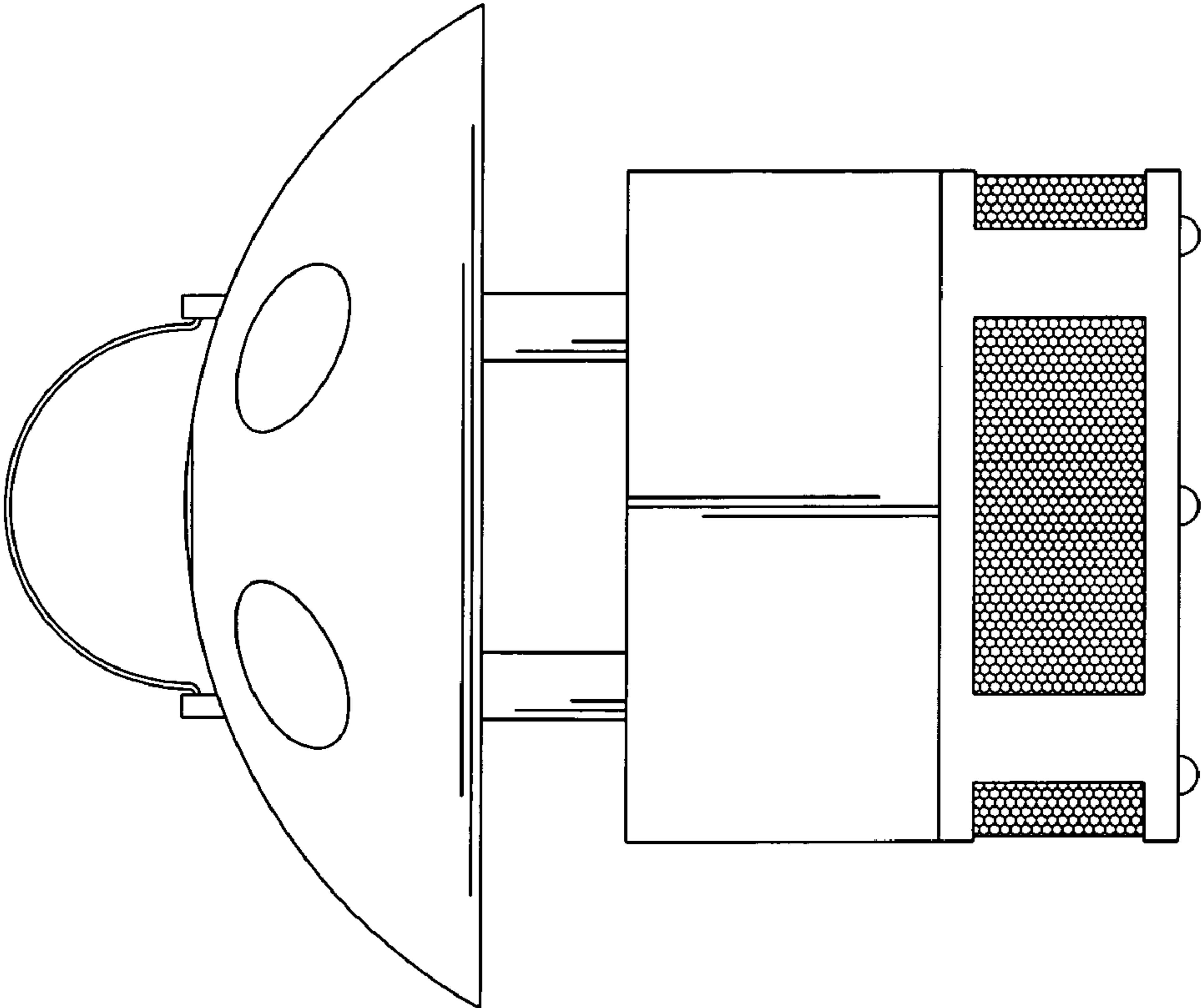


FIG. 2

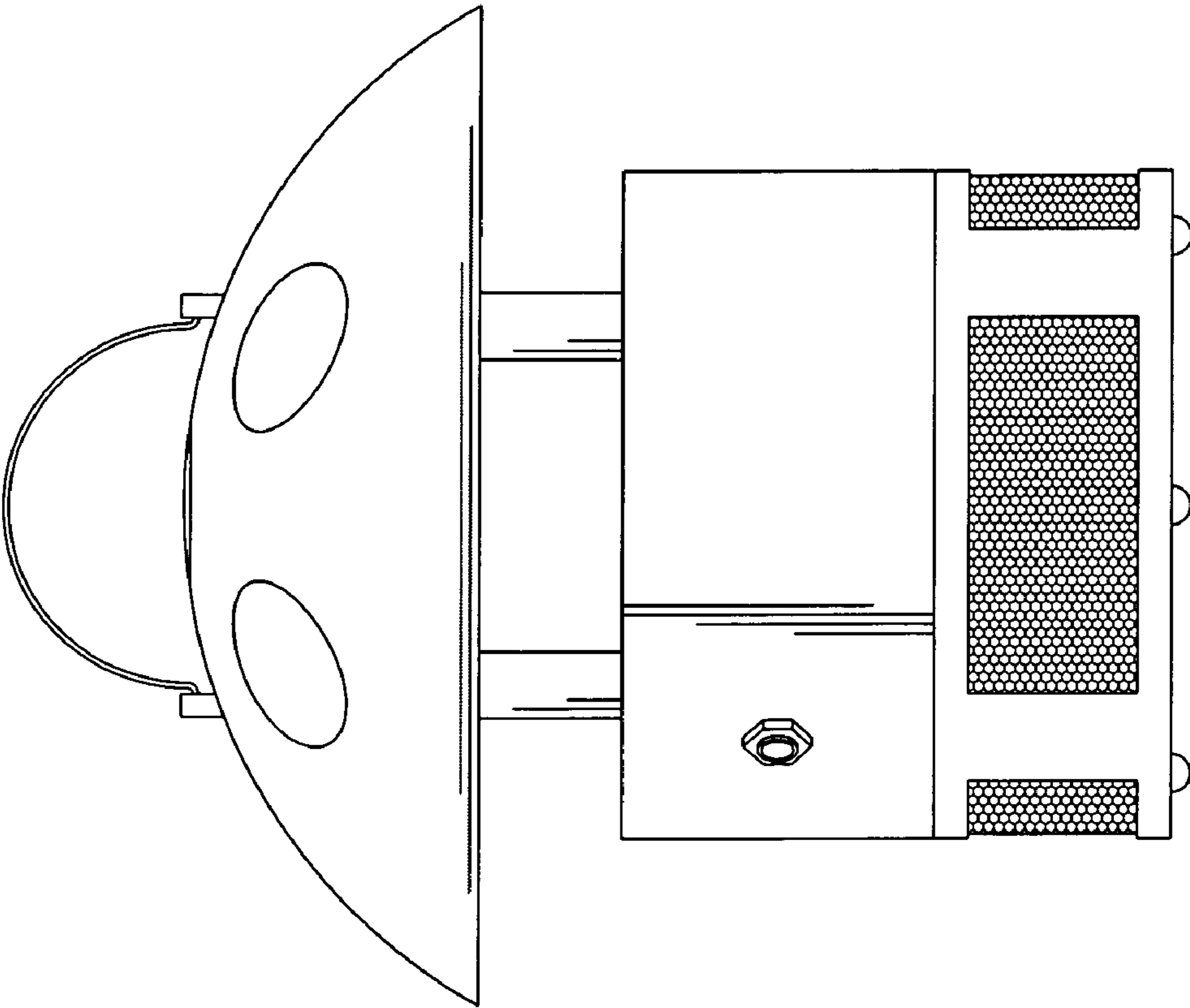


FIG. 3

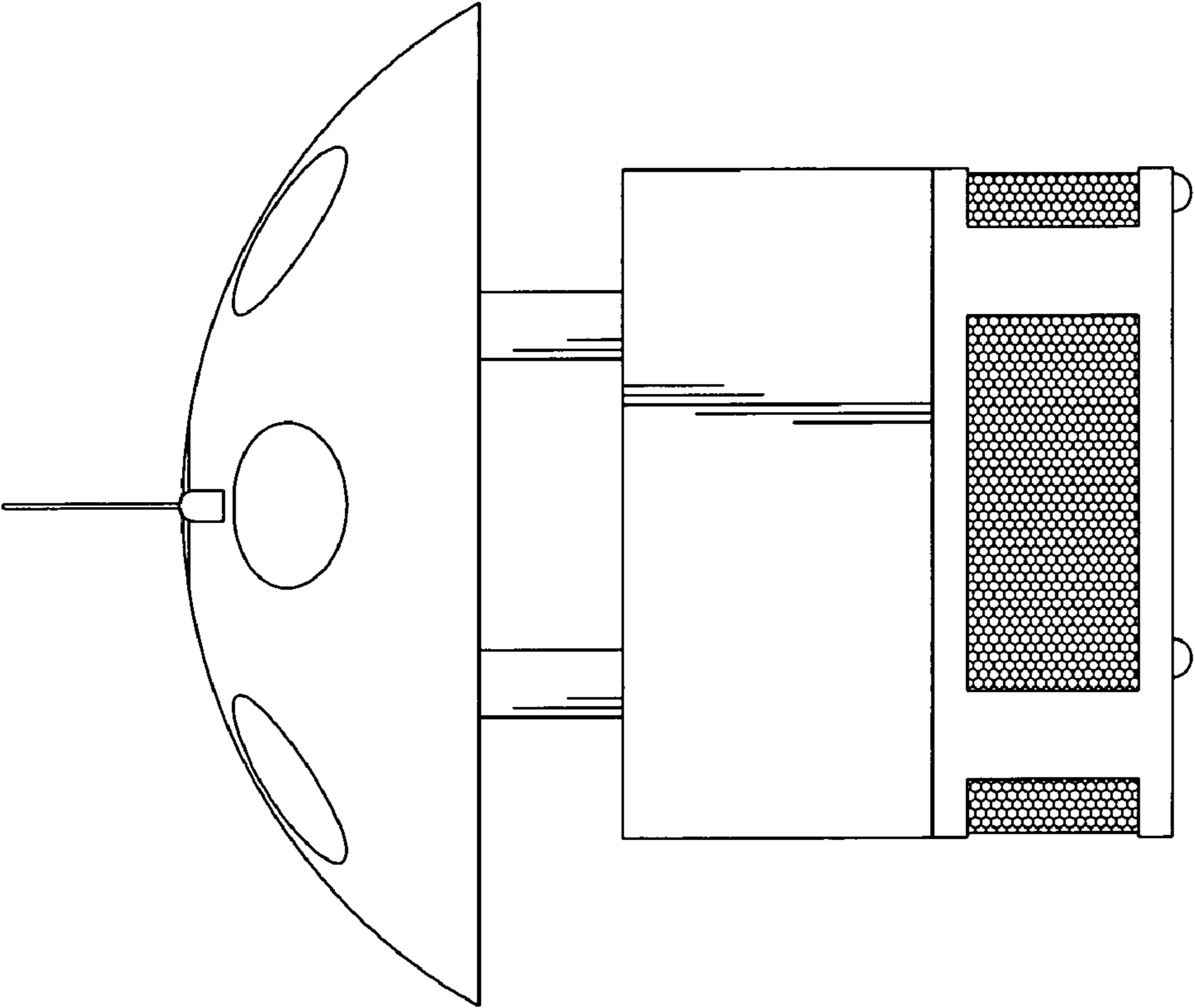


FIG. 4

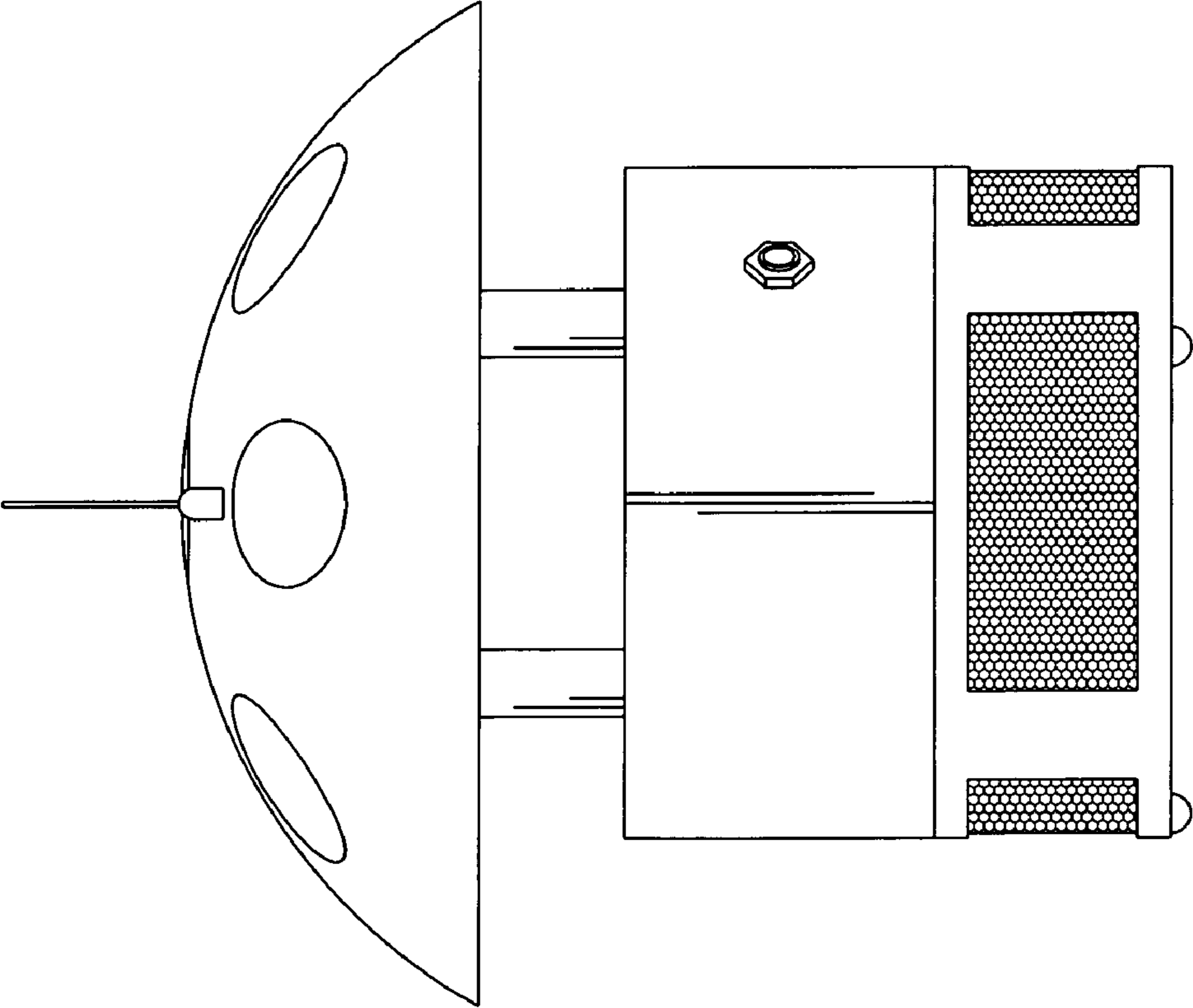


FIG. 5

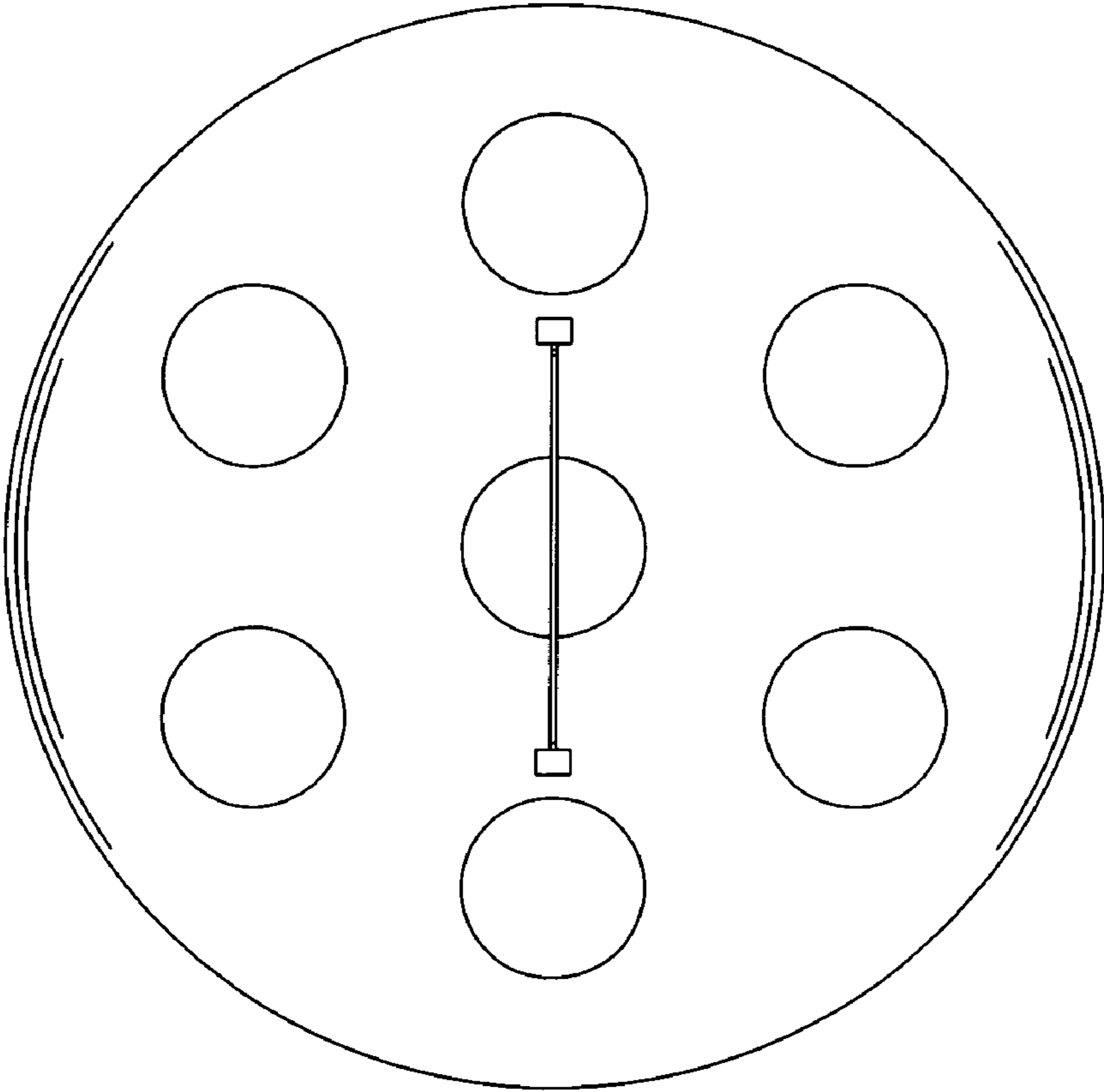


FIG. 6

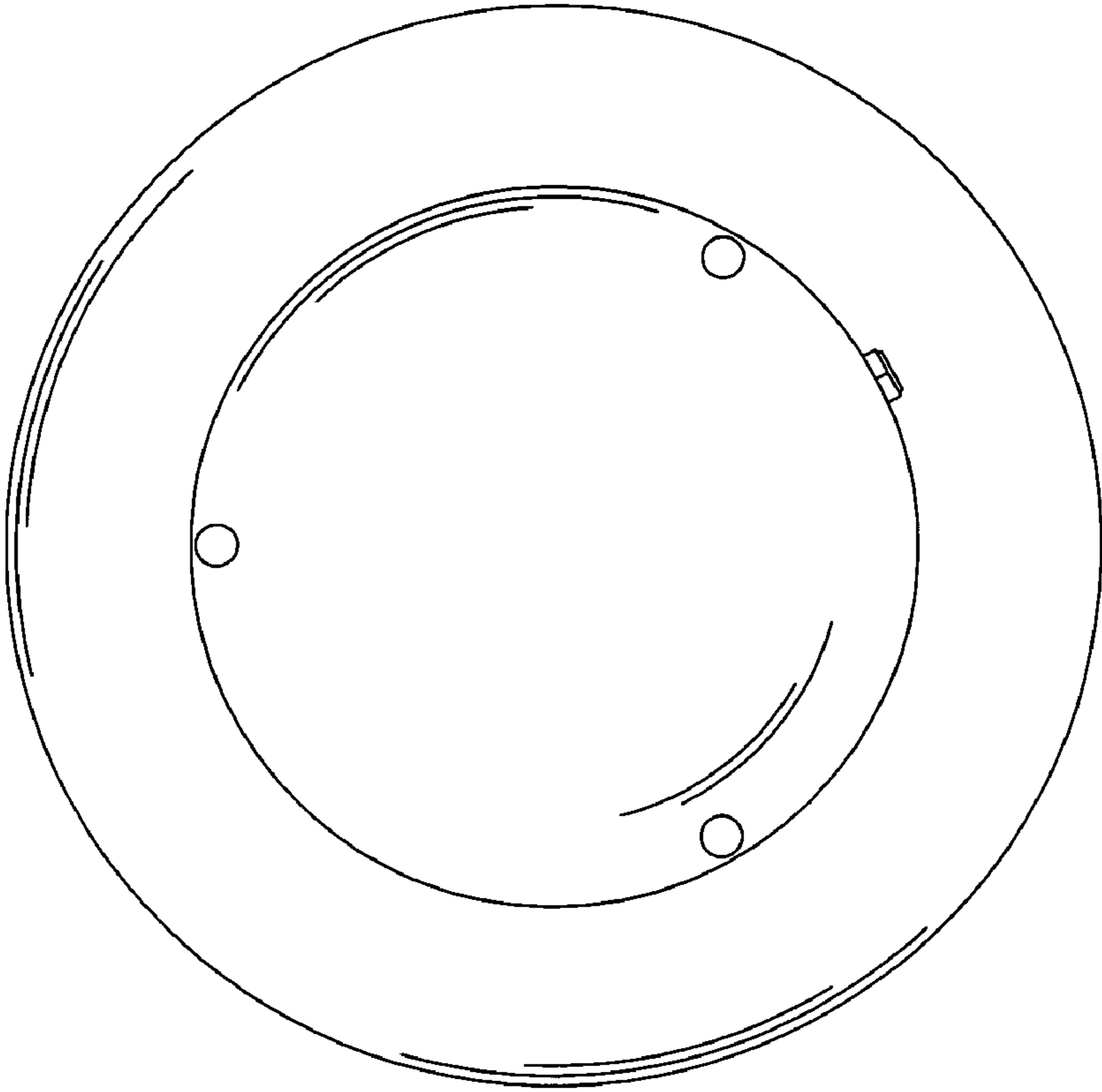


FIG. 7