



US00D634806S

(12) **United States Design Patent**
Uedelhoven

(10) **Patent No.:** **US D634,806 S**

(45) **Date of Patent:** **** Mar. 22, 2011**

(54) **PISTOL**

(75) Inventor: **Jürgen Uedelhoven**, Gaimersheim (DE)

(73) Assignee: **Armatix Invest GmbH**, Zurich (CH)

(**) Term: **14 Years**

(21) Appl. No.: **29/351,137**

(22) Filed: **Dec. 1, 2009**

(51) **LOC (9) Cl.** **22-01**

(52) **U.S. Cl.** **D22/104**

(58) **Field of Classification Search** D22/100,
D22/104, 199; D21/145, 146, 147, 567,
D21/572, 573-575; 42/145, 146, 147, 567,
42/572, 573-575; 124/31, 37; 362/110,
362/113

See application file for complete search history.

(56) **References Cited**

U.S. PATENT DOCUMENTS

2,395,001	A *	2/1946	Kelly	446/407
2,495,428	A *	1/1950	Simonson et al.	89/195
3,227,046	A *	1/1966	Moller	89/196
3,525,323	A *	8/1970	Carbonneau	124/27
5,199,655	A *	4/1993	Yang	241/169
2006/0156608	A1 *	7/2006	Kellermann et al.	42/71.02

* cited by examiner

Primary Examiner — T. Chase Nelson

Assistant Examiner — Michael A Pratt

(74) *Attorney, Agent, or Firm* — Miller, Matthias & Hull LLP

(57) **CLAIM**

The ornamental design for a “pistol,” as shown and described.

DESCRIPTION

FIG. 1 is a right side front perspective view of a pistol showing our new design;

FIG. 2 is a left side front perspective view of the pistol of FIG. 1;

FIG. 3 is a right side view of the pistol of FIG. 1;

FIG. 4 is a left side view of the pistol of FIG. 1;

FIG. 5 is a front view of the pistol of FIG. 1;

FIG. 6 is a rear view of the pistol of FIG. 1;

FIG. 7 is a top view of the pistol of FIG. 1;

FIG. 8 is a bottom view of the pistol of FIG. 1;

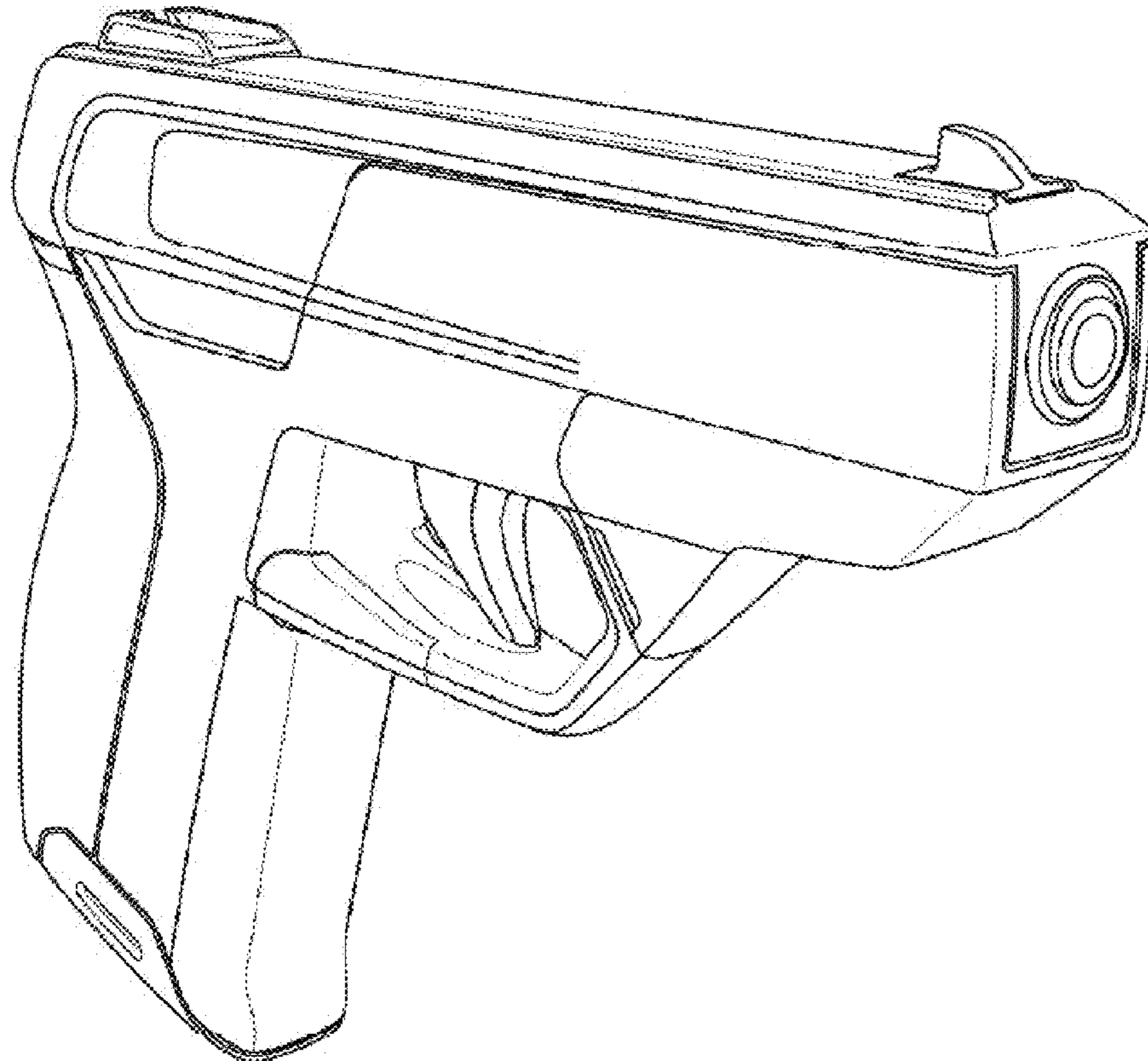
FIG. 9 is a right side bottom perspective view of the pistol of FIG. 1;

FIG. 10 is a left side bottom perspective view of the pistol of FIG. 1;

FIG. 11 is a right side rear perspective view of the pistol of FIG. 1; and,

FIG. 12 is a left side rear perspective view of the pistol of FIG. 1.

1 Claim, 10 Drawing Sheets



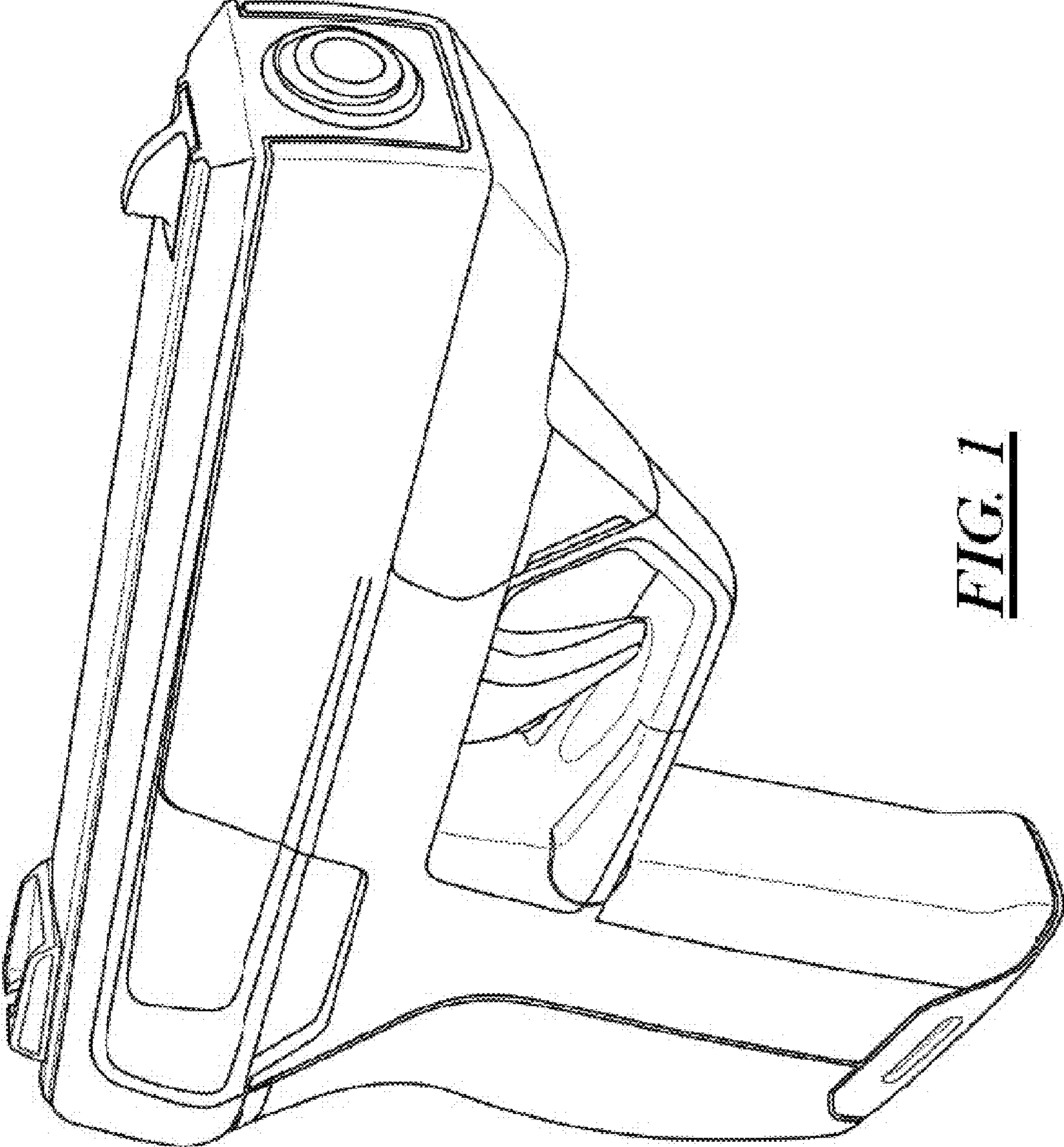


FIG. 1

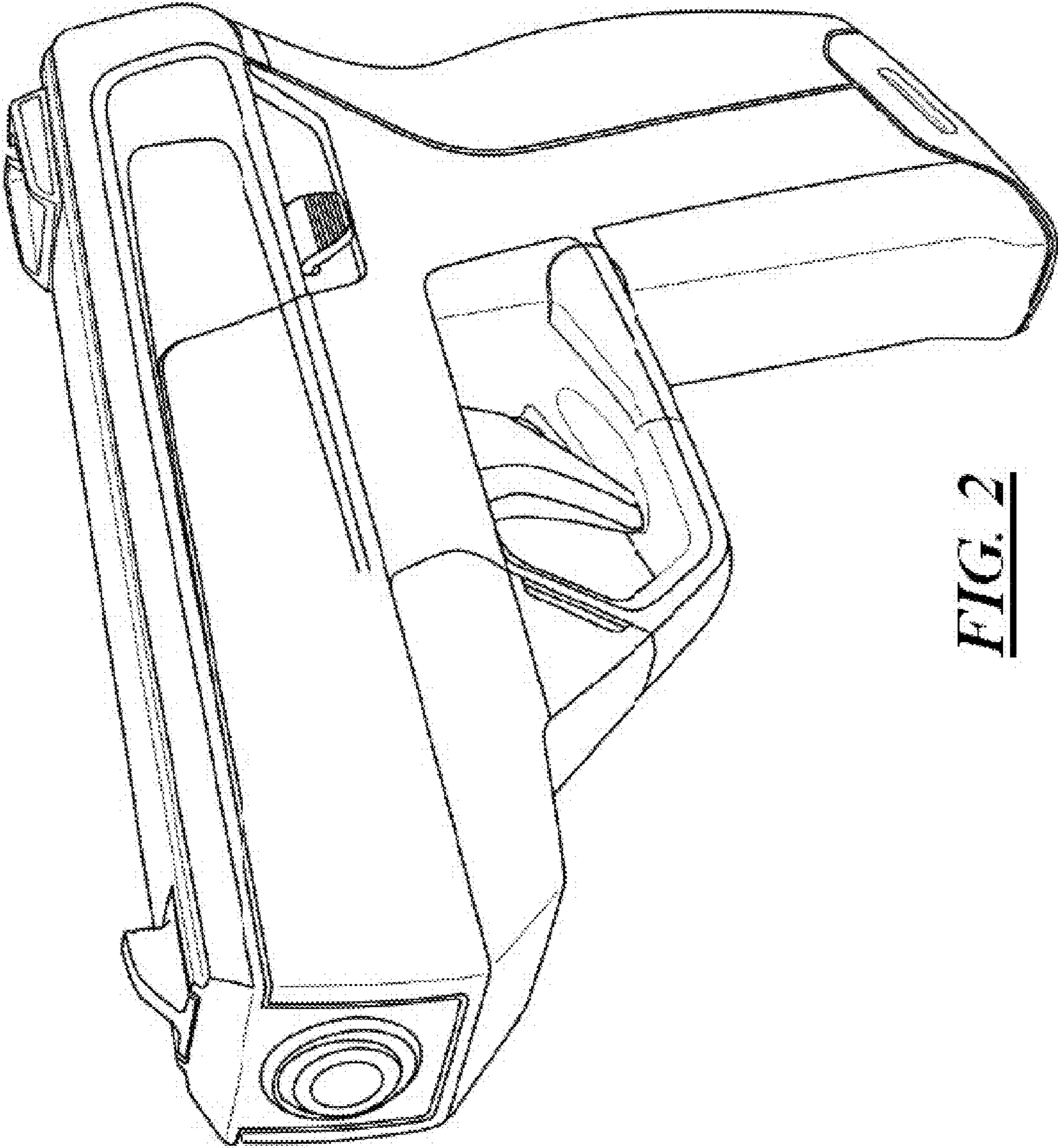


FIG. 2

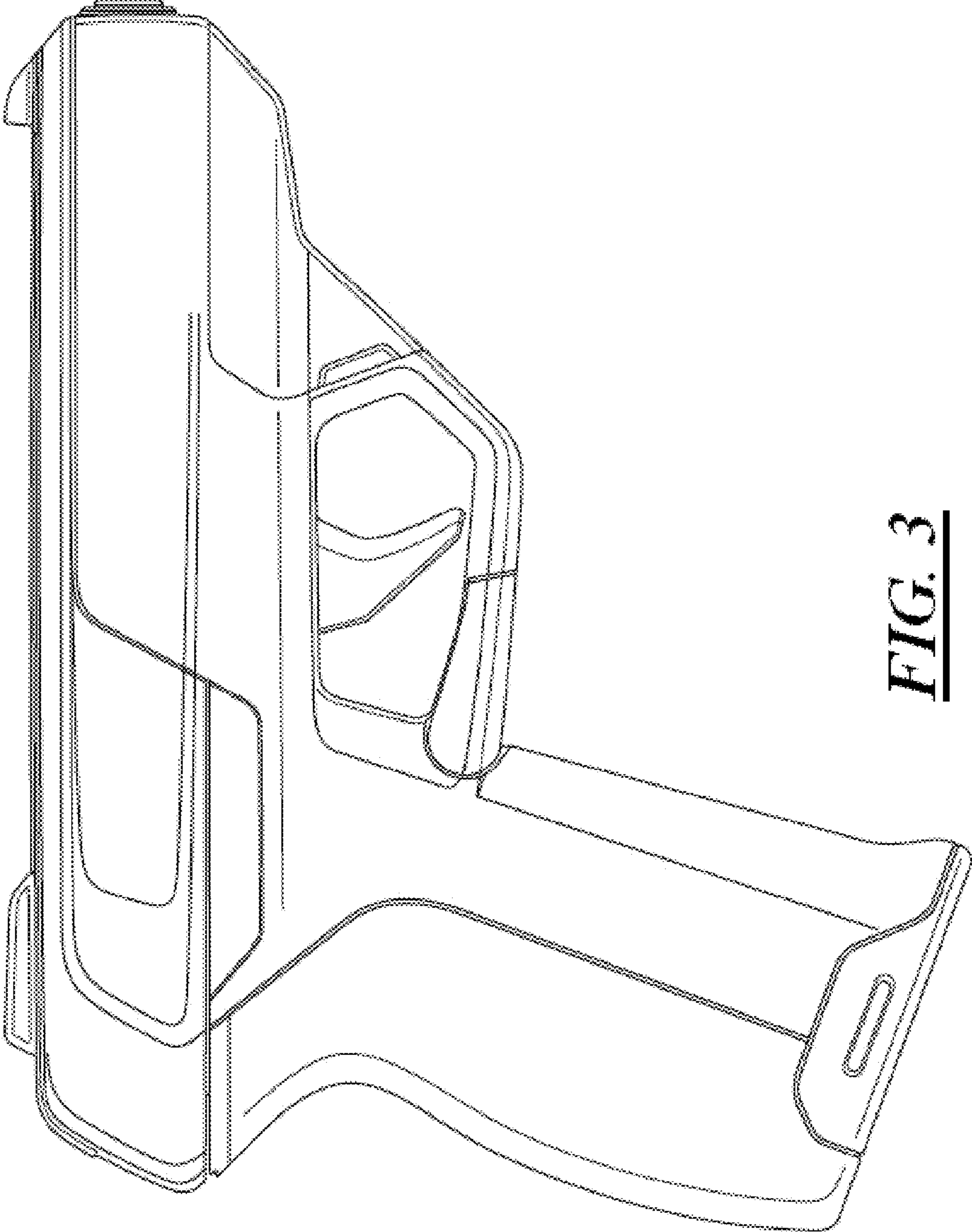


FIG. 3

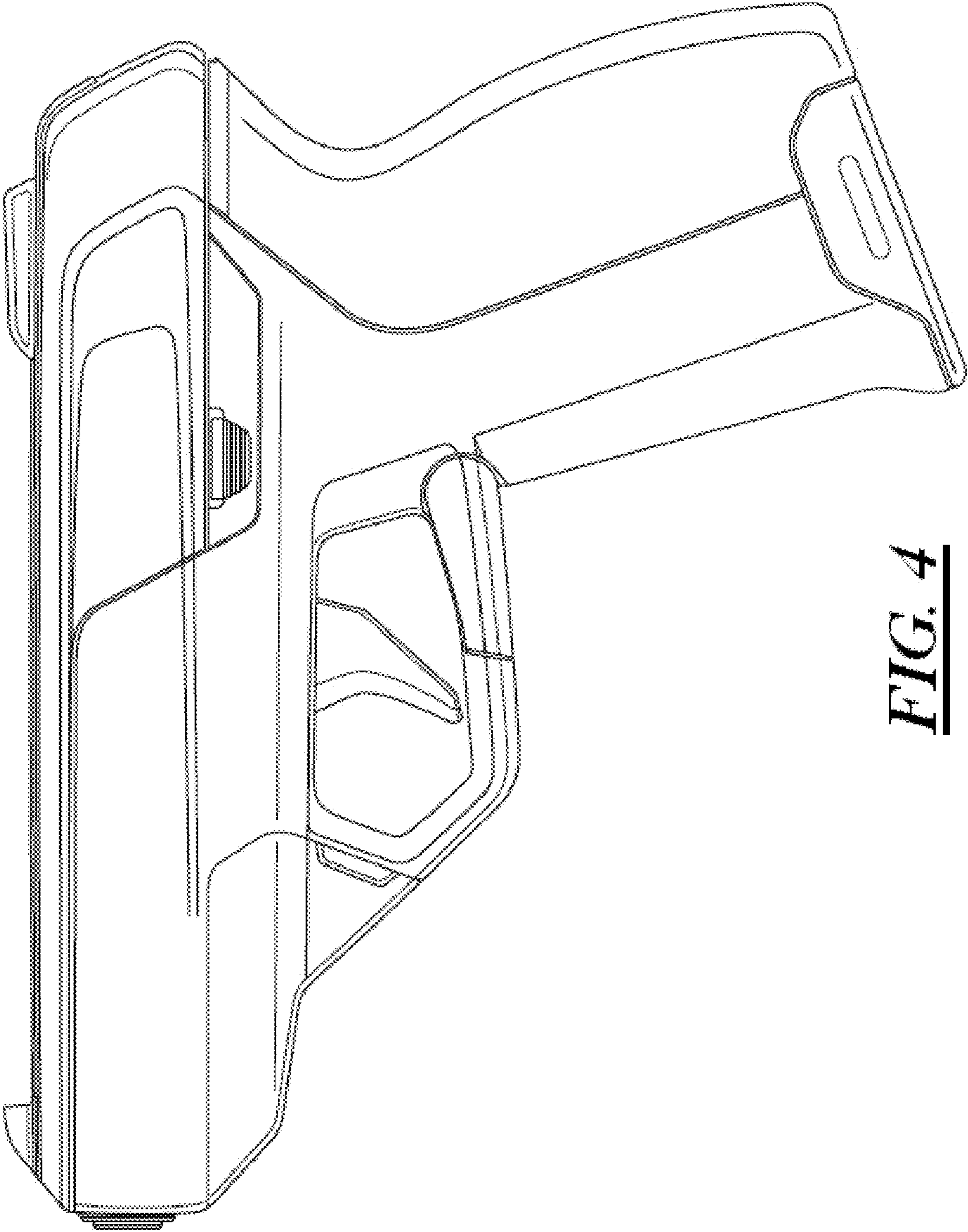


FIG. 4

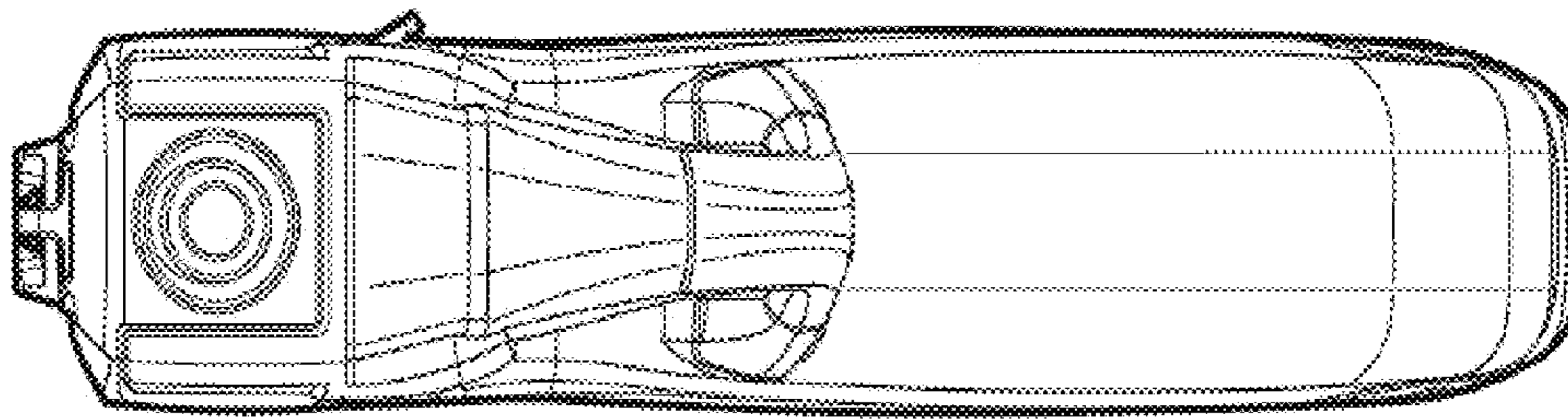


FIG. 5

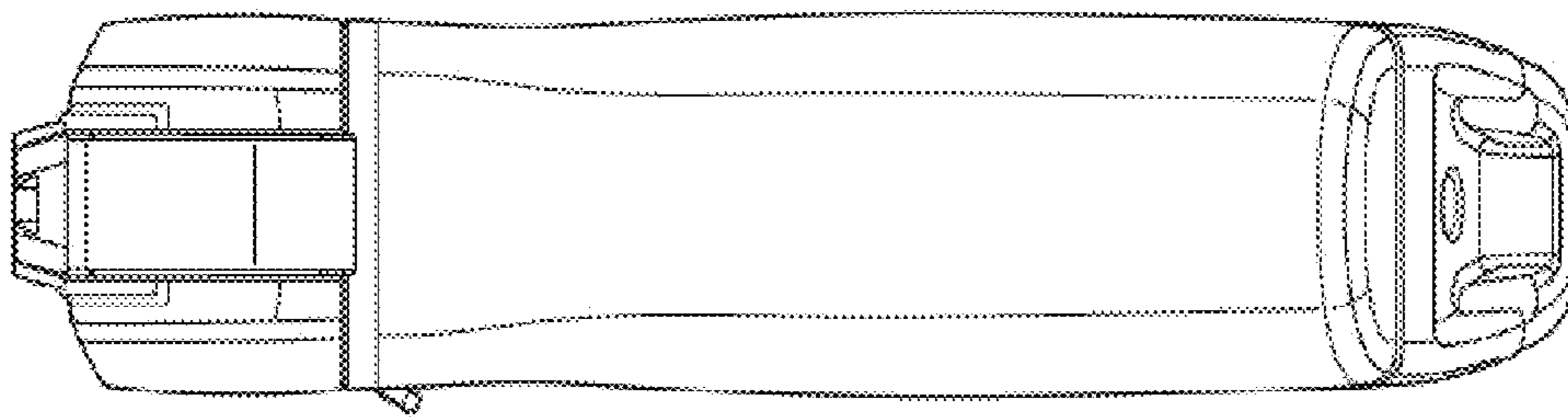


FIG. 6

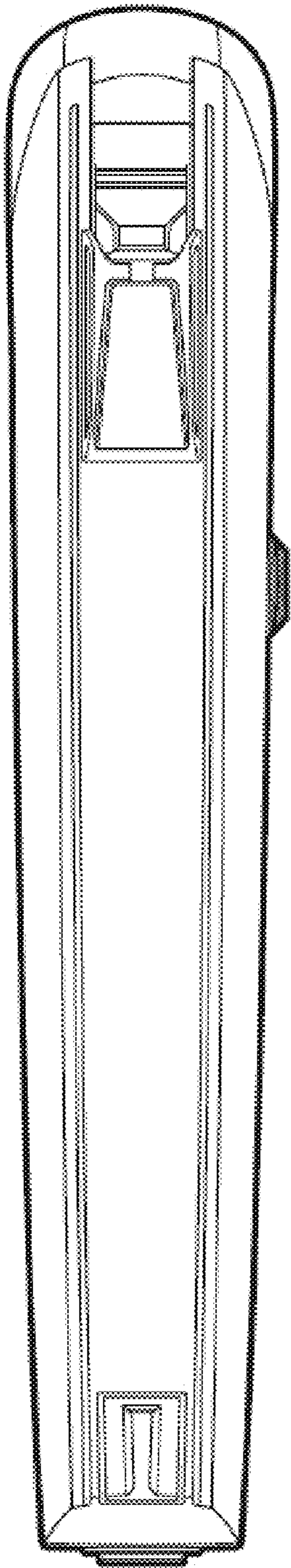


FIG. 7

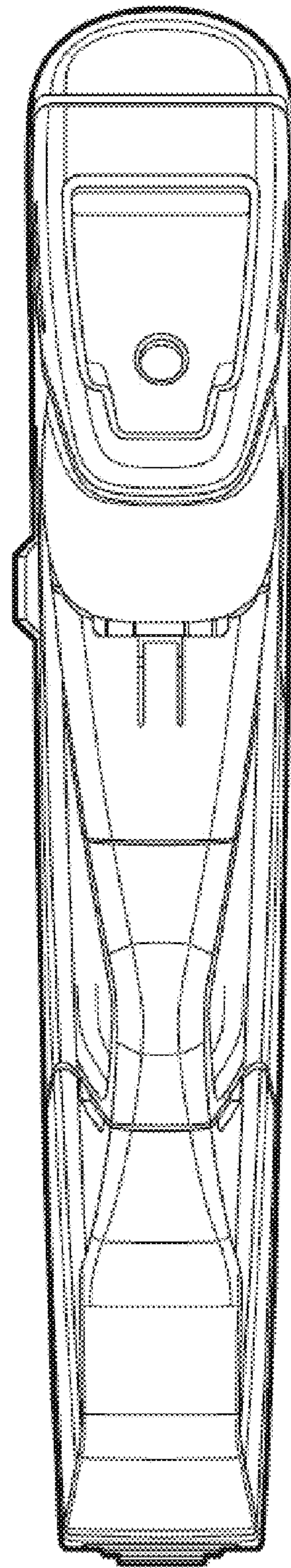


FIG. 8

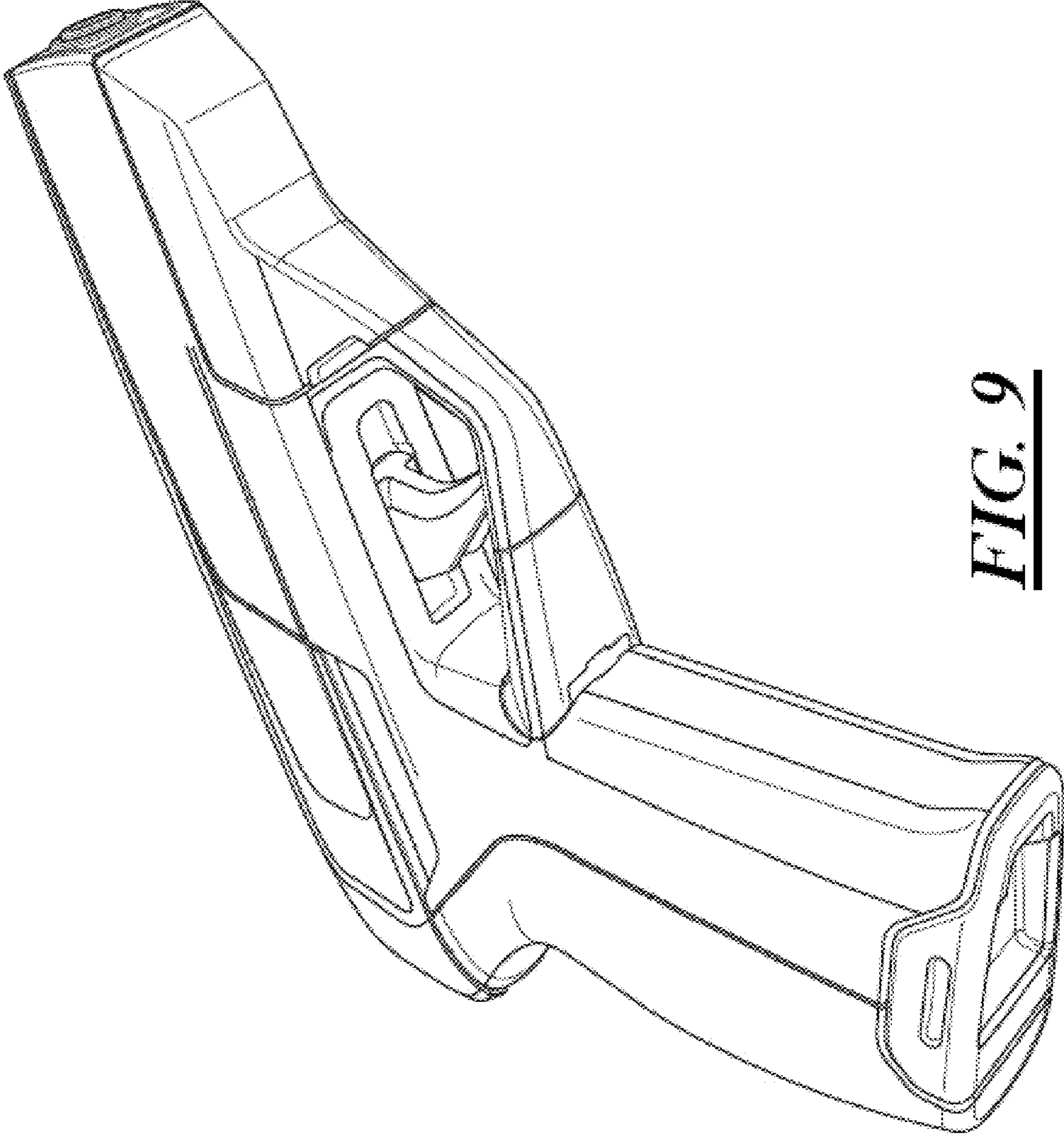


FIG. 9

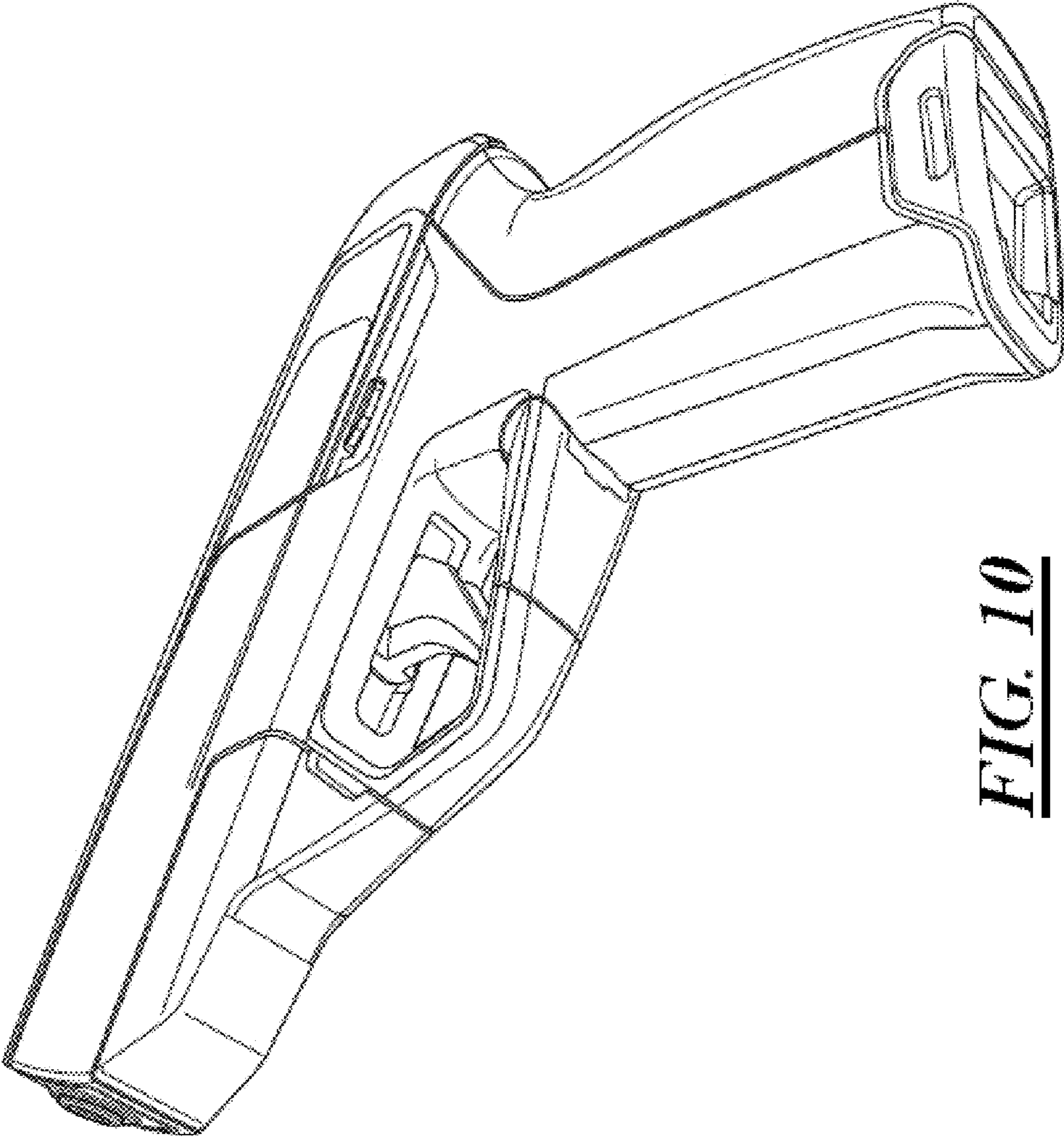


FIG. 10

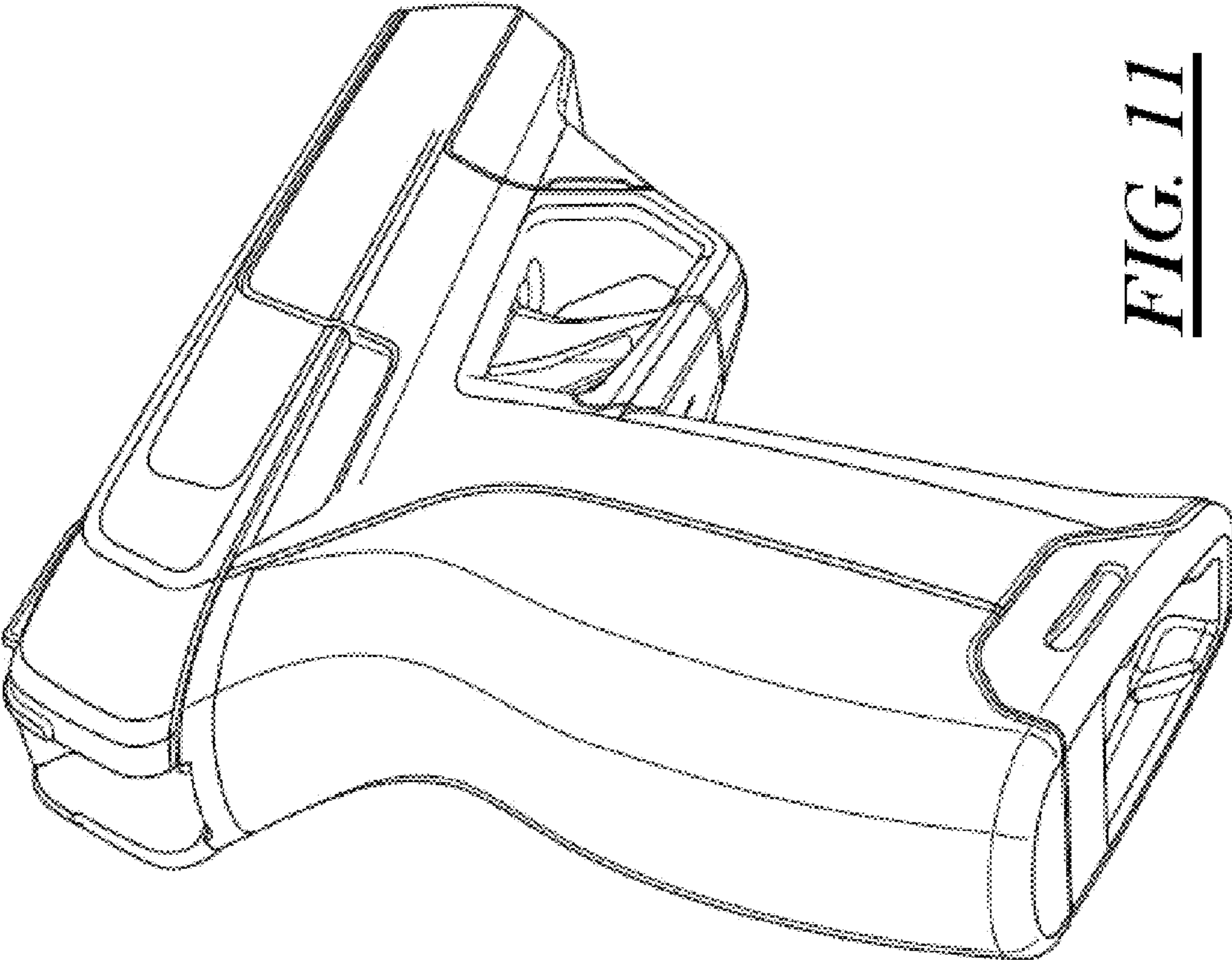


FIG. 11

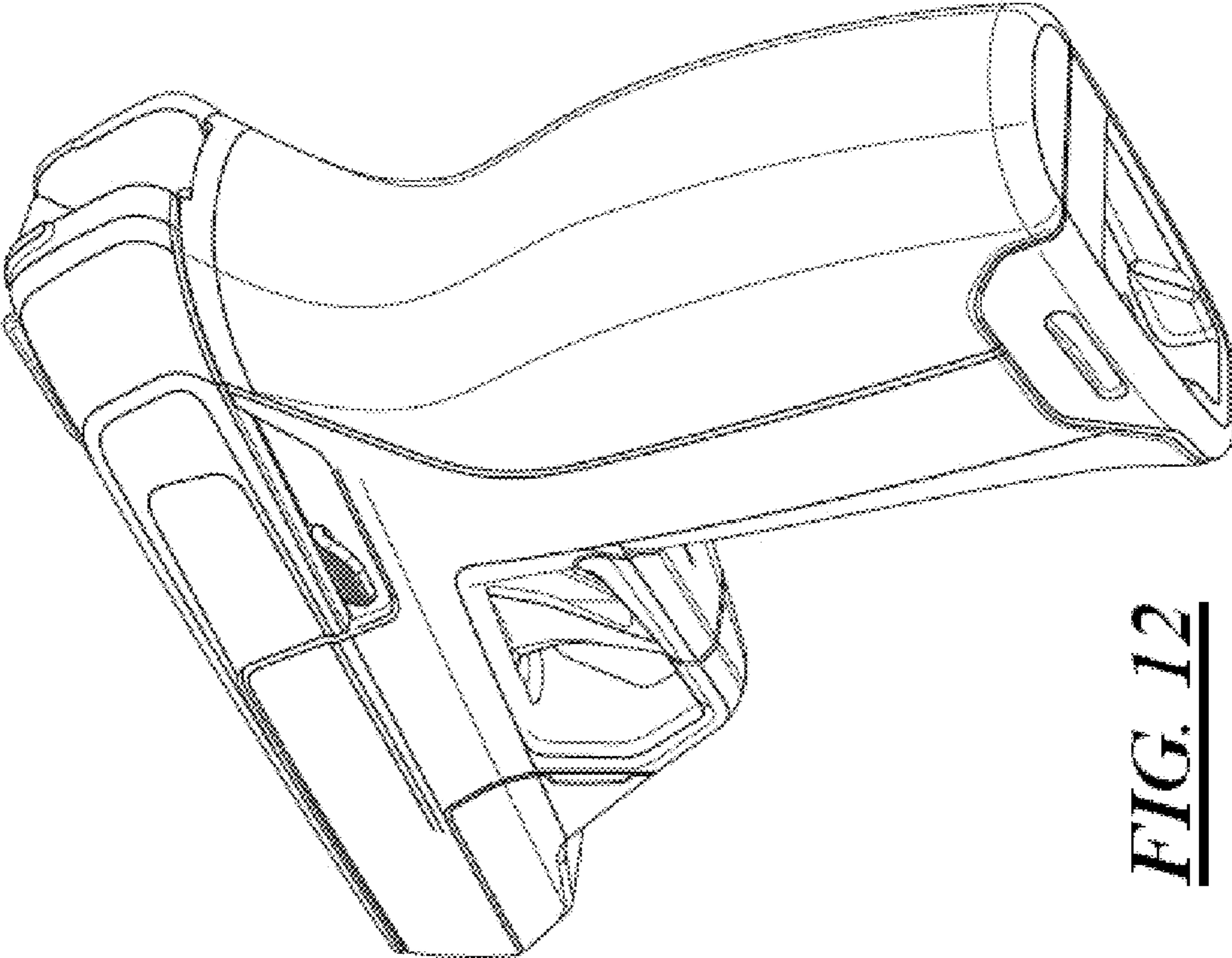


FIG. 12