



US00D634800S

(12) **United States Design Patent**  
**Lininger**

(10) **Patent No.:** **US D634,800 S**

(45) **Date of Patent:** **\*\* Mar. 22, 2011**

(54) **POOL CUE**

(76) **Inventor:** **Tyson Lininger**, Kansas City, MO (US)

(\*\*) **Term:** **14 Years**

(21) **Appl. No.:** **29/362,277**

(22) **Filed:** **May 21, 2010**

(51) **LOC (9) Cl.** ..... **21-03**

(52) **U.S. Cl.** ..... **D21/726**

(58) **Field of Classification Search** ..... D21/726;  
473/1, 44-51, 35

See application file for complete search history.

(56) **References Cited**

**U.S. PATENT DOCUMENTS**

1,443,596 A \* 1/1923 Schaefer ..... 473/44  
D370,955 S \* 6/1996 Fisher ..... D21/726

6,343,995 B1 \* 2/2002 Green et al. .... 473/43  
6,434,793 B1 \* 8/2002 Ensson ..... 16/441  
7,040,996 B2 \* 5/2006 Grandin ..... 473/46  
D618,741 S \* 6/2010 Crowder ..... D21/726

\* cited by examiner

*Primary Examiner* — Mitchell I Siegel

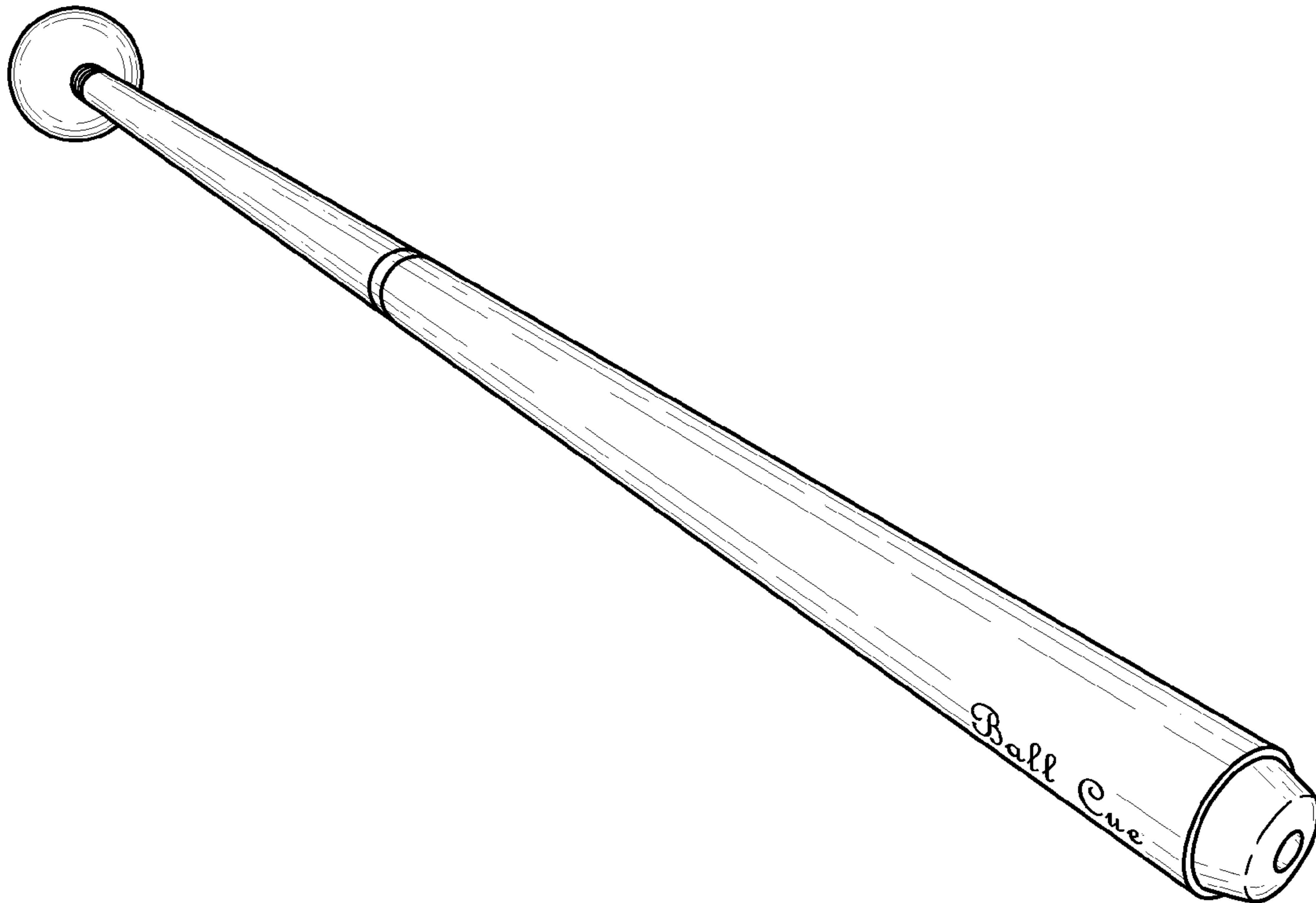
(57) **CLAIM**

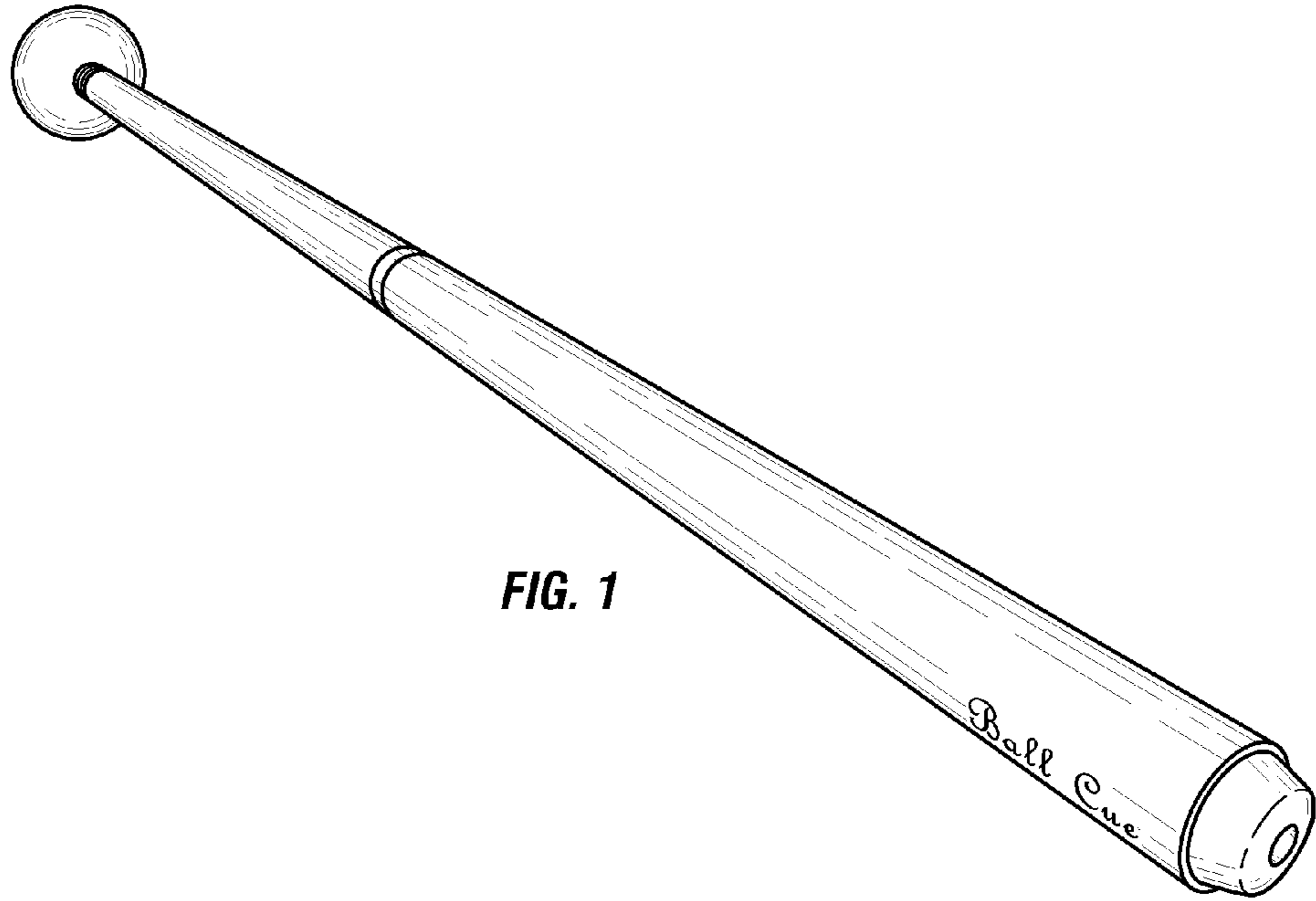
The ornamental design for a pool cue, as shown and described.

**DESCRIPTION**

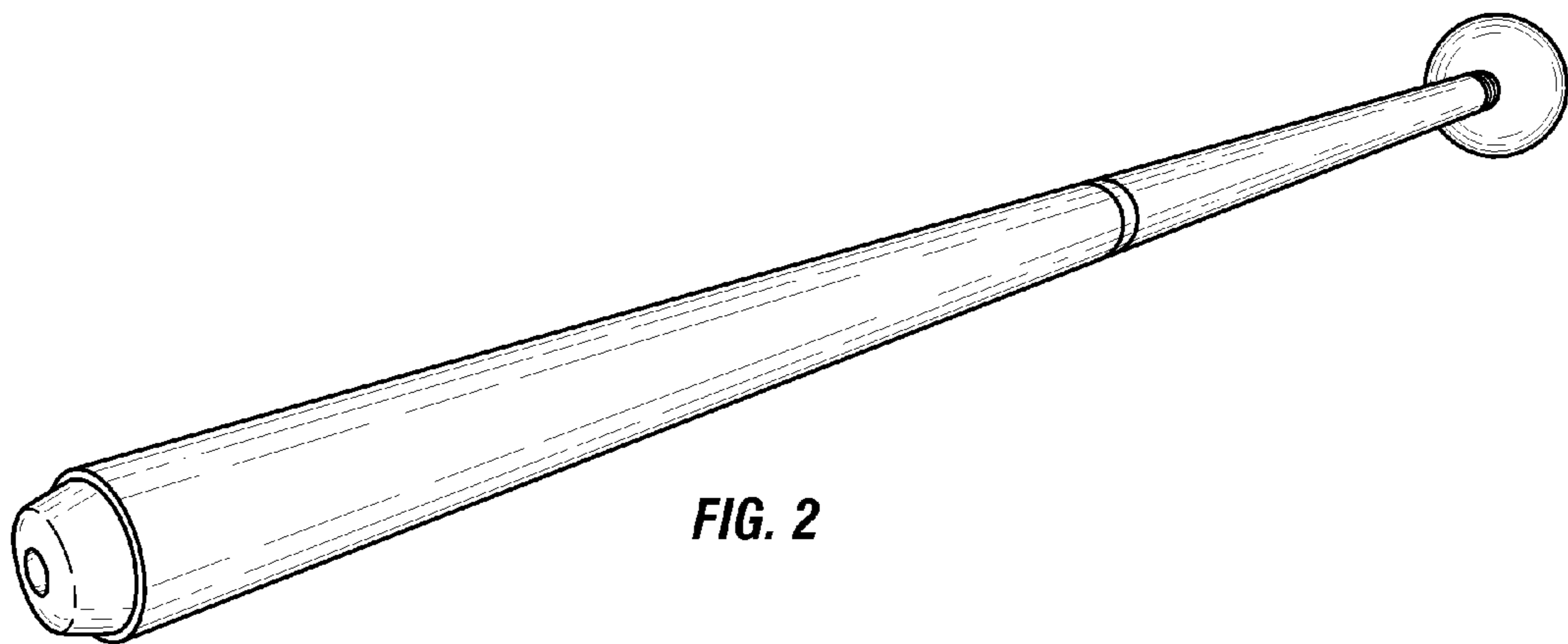
FIG. 1 is a left perspective view thereof;  
FIG. 2 is a right perspective view thereof;  
FIG. 3 is a left side elevation view thereof; and,  
FIG. 4 is a right side elevation view thereof.

**1 Claim, 2 Drawing Sheets**

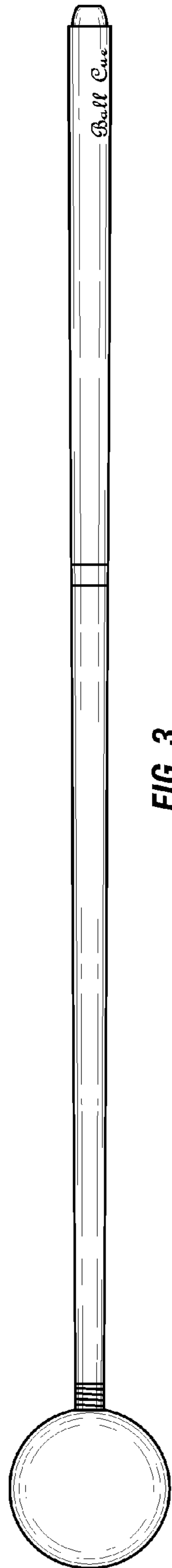




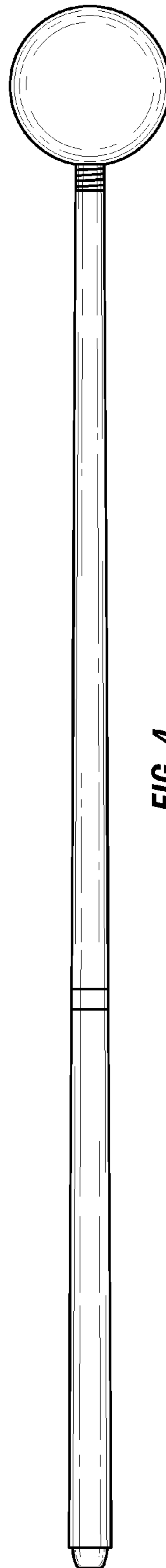
**FIG. 1**



**FIG. 2**



**FIG. 3**



**FIG. 4**