



US00D634799S

(12) **United States Design Patent**
Loiars et al.

(10) **Patent No.:** **US D634,799 S**
(45) **Date of Patent:** **** Mar. 22, 2011**

- (54) **BAT**
- (75) Inventors: **John Loiars**, Franklin, MA (US);
Mauro Pezzato, Treviso (IT); **Stephen Davis**, Newtown, PA (US)
- (73) Assignee: **Reebok International Ltd.**, Canton, MA (US)
- (**) Term: **14 Years**
- (21) Appl. No.: **29/364,047**
- (22) Filed: **Jun. 17, 2010**

D399,544 S	10/1998	Liu	
5,863,268 A *	1/1999	Birch	473/563
D418,182 S	12/1999	Krist	
7,201,682 B2	4/2007	Tucker, Sr. et al.	
D555,035 S *	11/2007	O'Neal	D11/157
D558,844 S *	1/2008	Jeanneau et al.	D21/727
D579,997 S *	11/2008	Jeanneau et al.	D21/753
7,575,527 B2	8/2009	Davis et al.	
D606,138 S	12/2009	Loiars et al.	
D619,664 S	7/2010	Loiars et al.	
2005/0153798 A1	7/2005	Rigoli	
2007/0270253 A1	11/2007	Davis et al.	
2007/0275800 A1	11/2007	Davis et al.	
2008/0051230 A1	2/2008	Davis	

* cited by examiner

Related U.S. Application Data

- (62) Division of application No. 29/350,979, filed on Nov. 25, 2009, now Pat. No. Des. 619,664, which is a division of application No. 29/329,356, filed on Dec. 12, 2008, now Pat. No. Des. 606,138.

- (51) **LOC (9) Cl.** **21-02**
- (52) **U.S. Cl.** **D21/725**
- (58) **Field of Classification Search** D21/725;
473/564-568

See application file for complete search history.

(56) **References Cited**

U.S. PATENT DOCUMENTS

D237,636 S *	11/1975	Leclerc	D21/727
4,086,115 A	4/1978	Sweet, Jr. et al.	
D344,559 S *	2/1994	Ilacqua et al.	D21/727
D360,443 S *	7/1995	Berghash	D21/727

Primary Examiner — Mitchell I Siegel

(74) *Attorney, Agent, or Firm* — Sterne, Kessler, Goldstein & Fox P.L.L.C.

(57) **CLAIM**

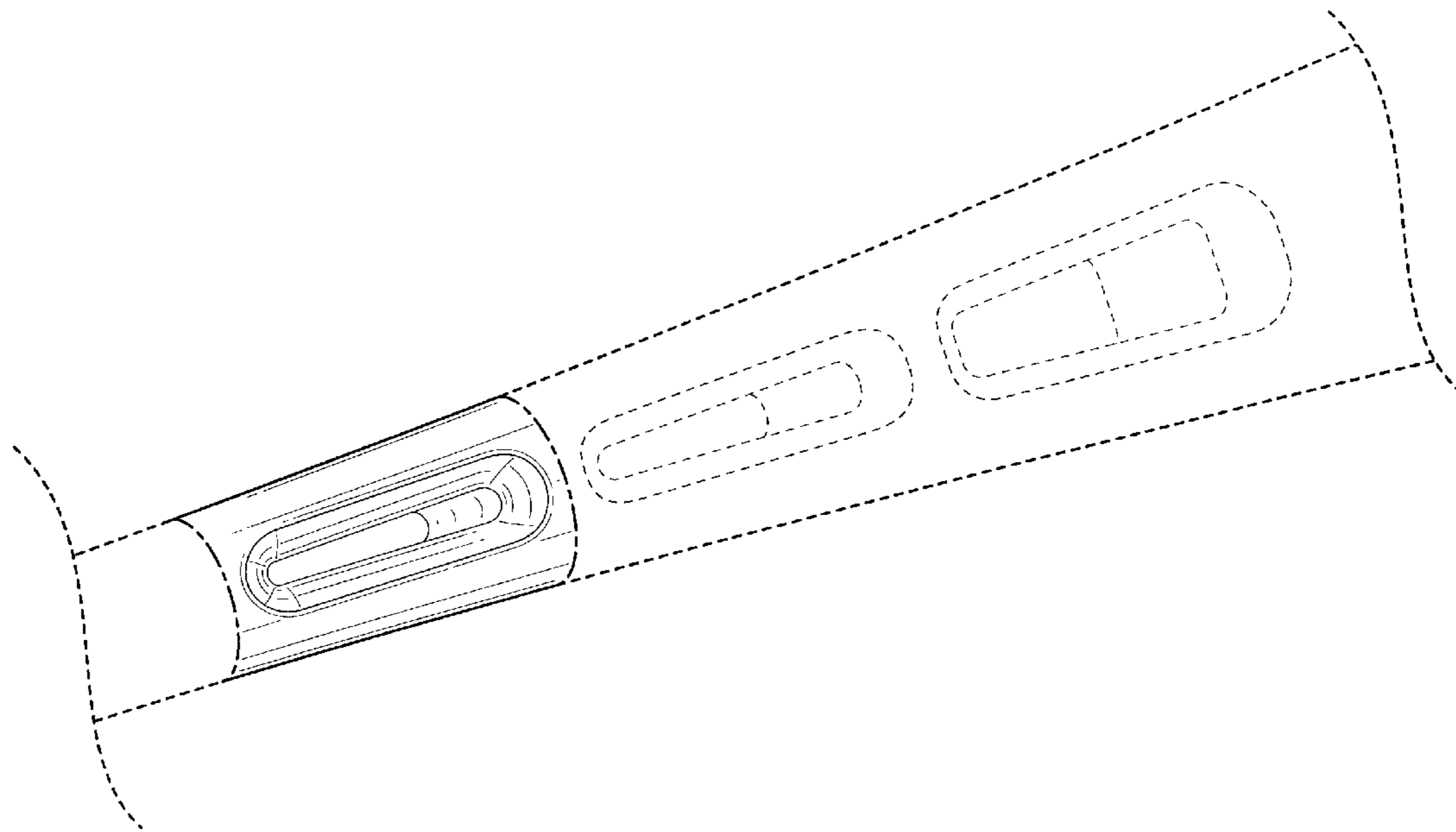
The ornamental design for a bat, as shown and described.

DESCRIPTION

FIG. 1 is a perspective view of a bat showing our new design; FIG. 2 is a front view thereof, the rear view being a mirror image thereof; and, FIG. 3 is a side view thereof, the opposite side view being a mirror image thereof.

The area within the solid and dash-dot dash lines forms the claimed design. The area within the broken lines is environmental and form no part of the claimed invention.

1 Claim, 3 Drawing Sheets



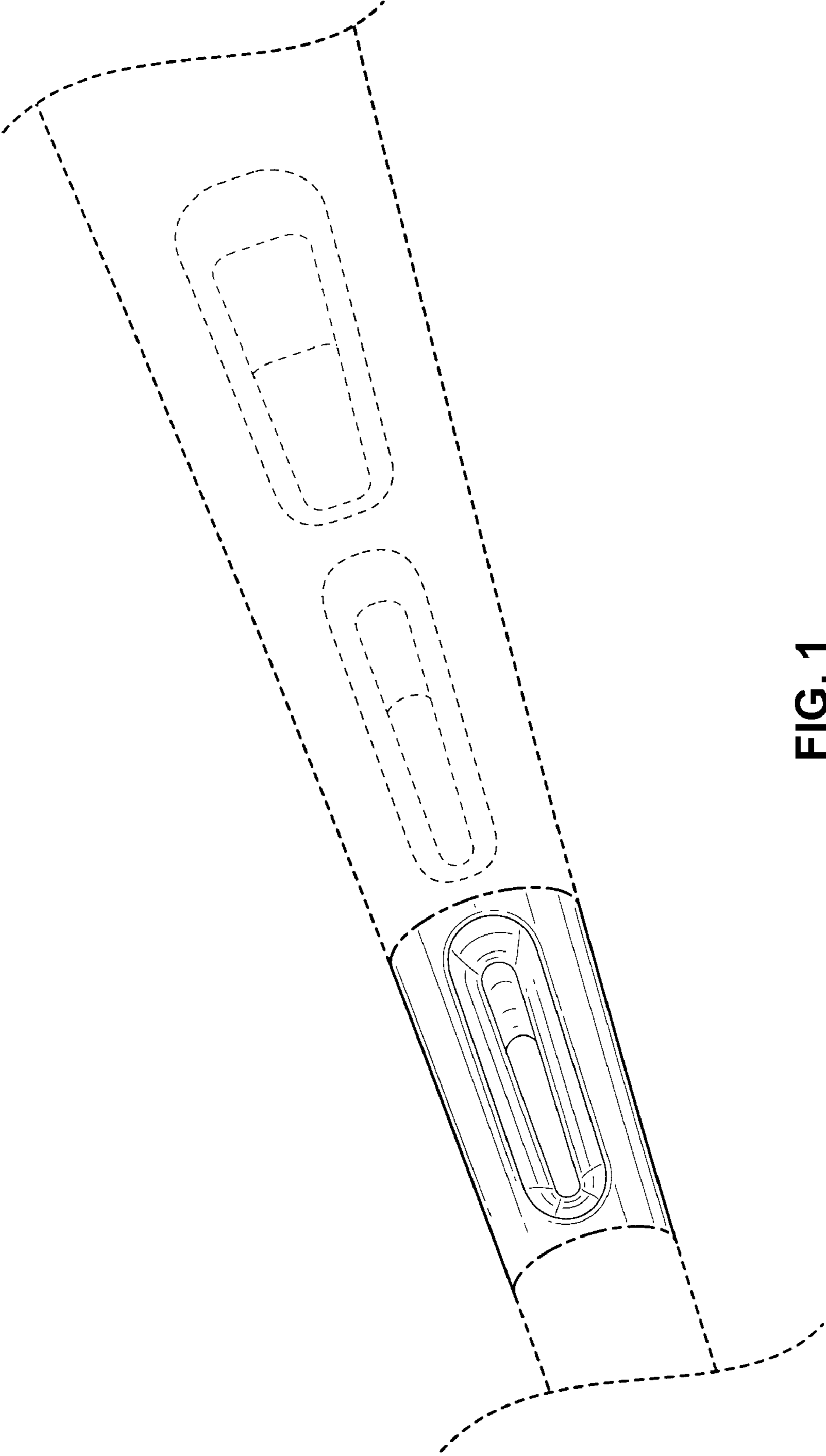


FIG. 1

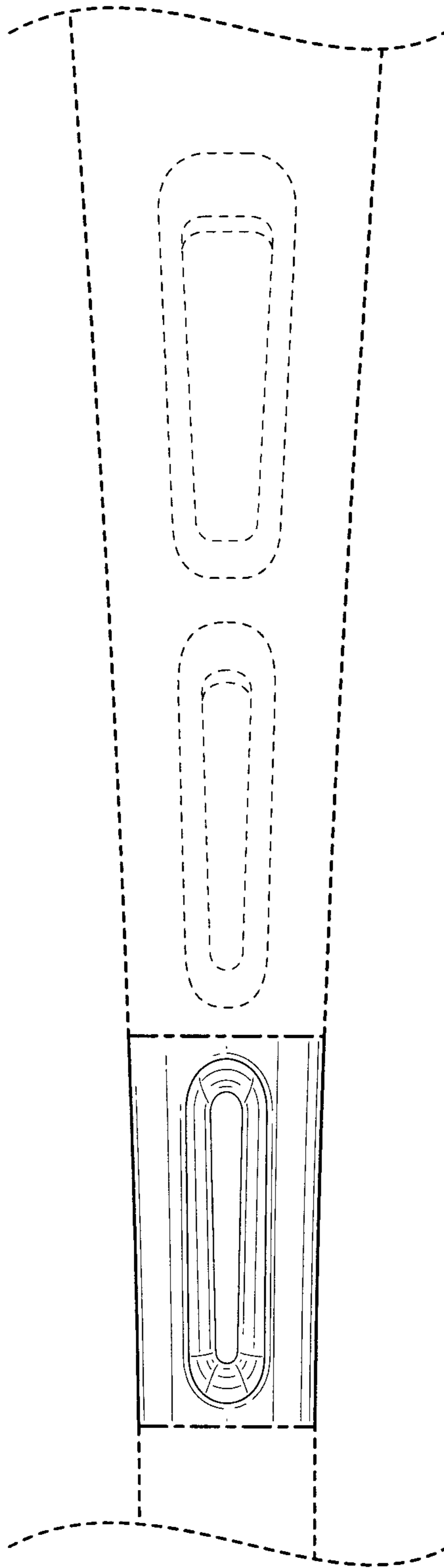


FIG. 2

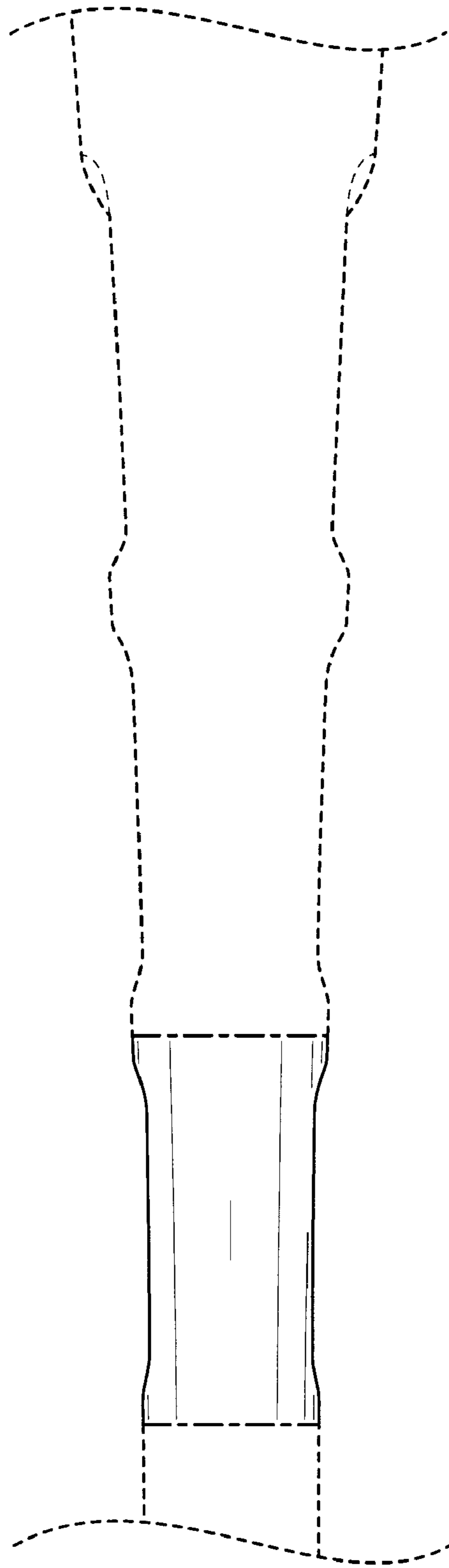


FIG. 3