



US00D634798S

(12) **United States Design Patent**  
**Suisham et al.**

(10) **Patent No.:** **US D634,798 S**  
(45) **Date of Patent:** **\*\* Mar. 22, 2011**

(54) **FOOTBALL TEE**

(76) Inventors: **Shaun Suisham**, Greenville, OH (US);  
**H. Jay Spiegel**, Mount Vernon, VA (US)

(\*\*) Term: **14 Years**

(21) Appl. No.: **29/347,638**

(22) Filed: **Mar. 23, 2010**

(51) **LOC (9) Cl.** ..... **21-02**

(52) **U.S. Cl.** ..... **D21/717**

(58) **Field of Classification Search** ..... D21/715-718,  
D21/788; 473/417, 420, 438, 569  
See application file for complete search history.

(56) **References Cited**

U.S. PATENT DOCUMENTS

2,659,604	A *	11/1953	McGowen	473/420
D202,433	S *	9/1965	Cullity	D21/716
D275,303	S *	8/1984	Box, Sr.	D21/716
D383,816	S *	9/1997	Spiegel	D21/716
D391,275	S *	2/1998	Spiegel	D15/135
D392,705	S *	3/1998	Spiegel	D21/716
6,309,316	B1 *	10/2001	Spiegel	473/420
D507,315	S *	7/2005	Spiegel	D21/716
7,452,293	B2 *	11/2008	Spiegel	473/420

\* cited by examiner

*Primary Examiner* — Catherine Tuttle

(74) *Attorney, Agent, or Firm* — H. Jay Spiegel

(57) **CLAIM**

The ornamental design for a football tee, as shown and described.

**DESCRIPTION**

FIG. 1 shows a top view of the football tee embodying our claimed design.

FIG. 2 shows a right, rear perspective view thereof.

FIG. 3 shows a right side view thereof the left side view being a mirror image.

FIG. 4 shows a rear view thereof.

FIG. 5 shows a front view thereof.

FIG. 6 shows a bottom view thereof.

FIG. 7 shows a view similar to that of FIG. 5 and showing in broken lines a first possible orientation of a football on the claimed tee.

FIG. 8 shows a view similar to that of FIG. 3 and showing in broken lines a second possible orientation of a football on the claimed tee.

FIG. 9 shows a view similar to that of FIG. 8 and showing in broken lines a third possible orientation of a football on the claimed tee; and,

FIG. 10 shows a view similar to that of FIGS. 8 and 9 and showing in broken lines a fourth possible orientation of a football on the claimed tee.

The broken lines showing the football in FIGS. 7-10 are included for the purpose of illustrating the intended use of the football tee and form no part of the claimed design.

**1 Claim, 6 Drawing Sheets**

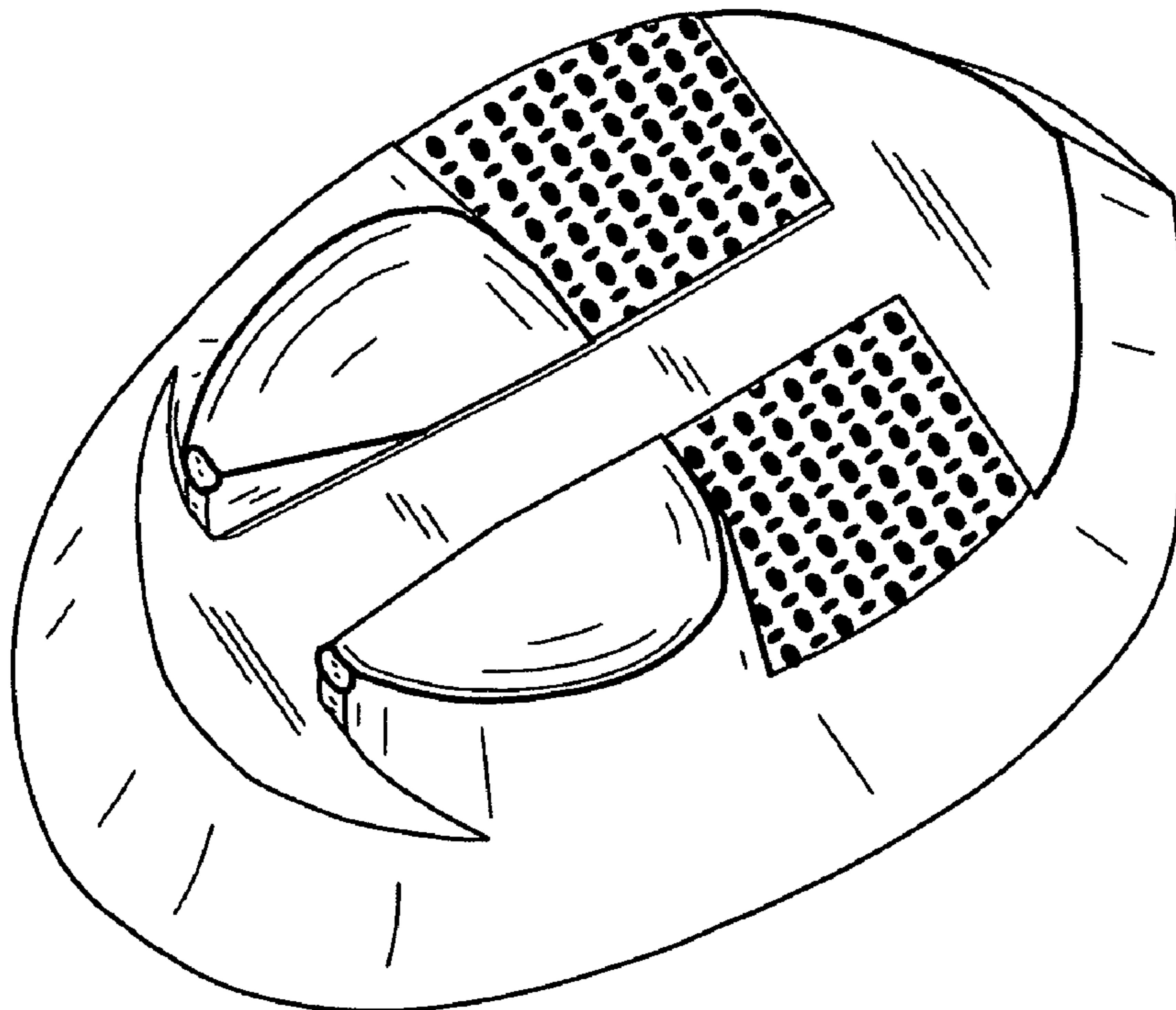


FIG. 1

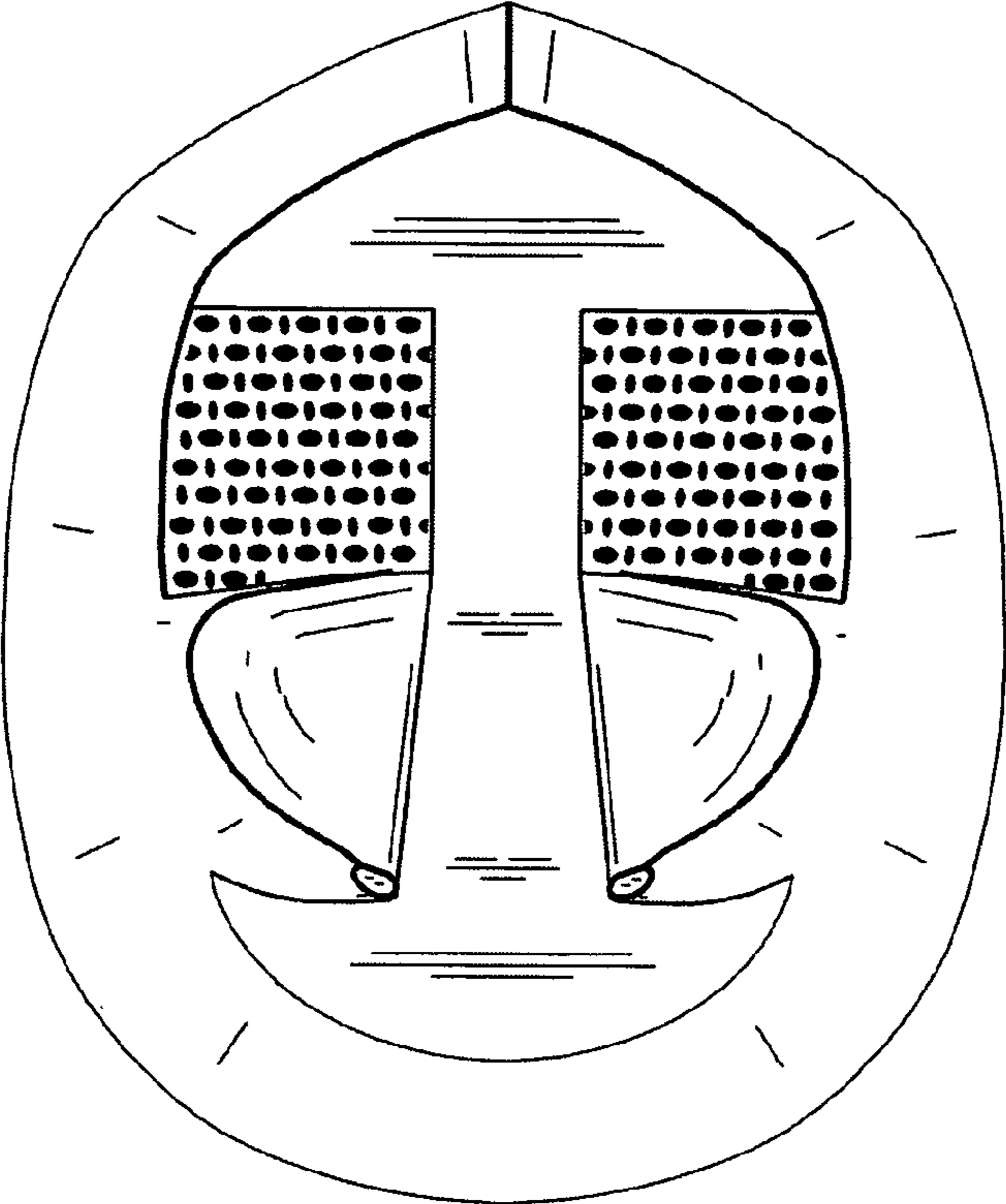


FIG. 2

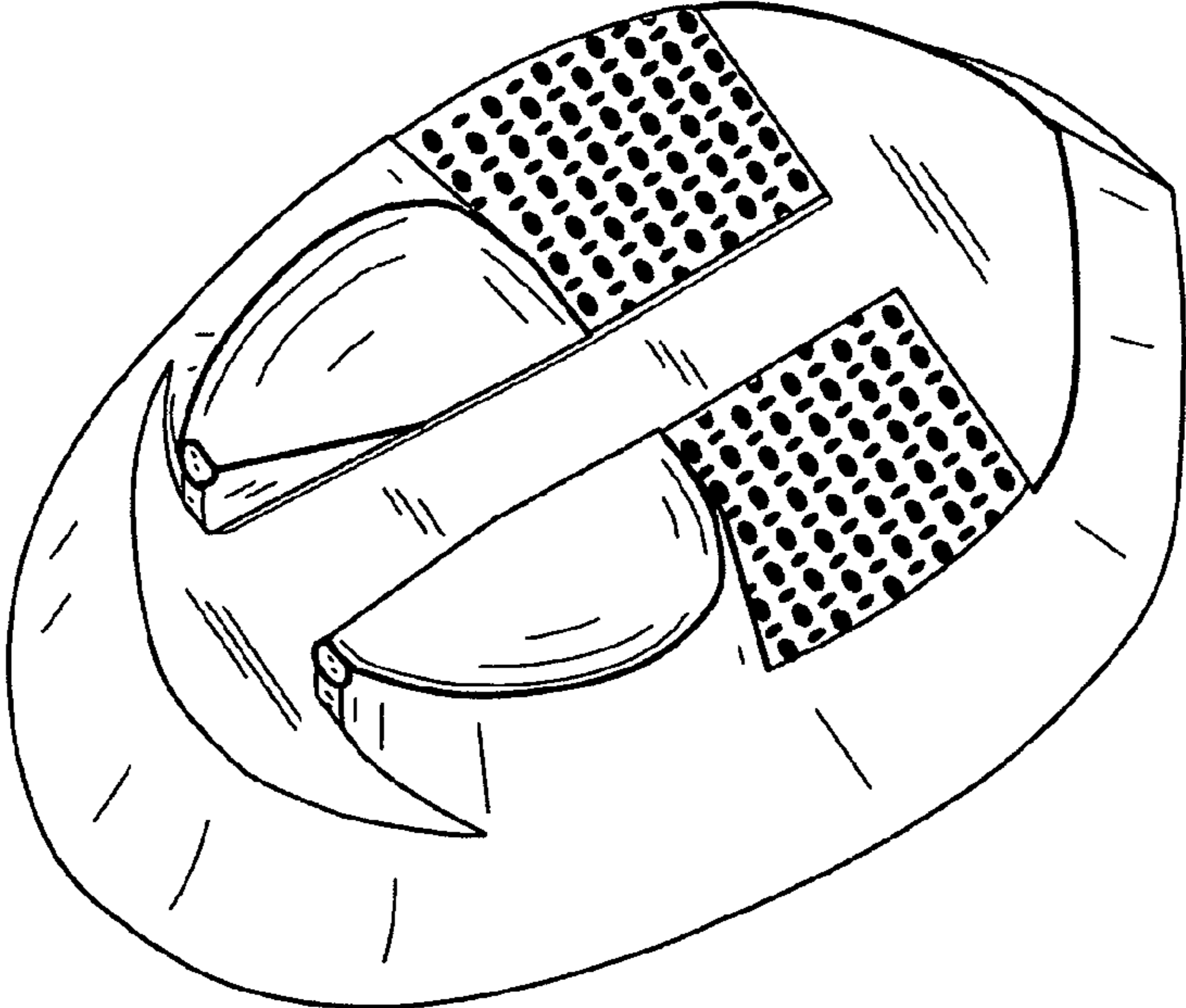


FIG. 3

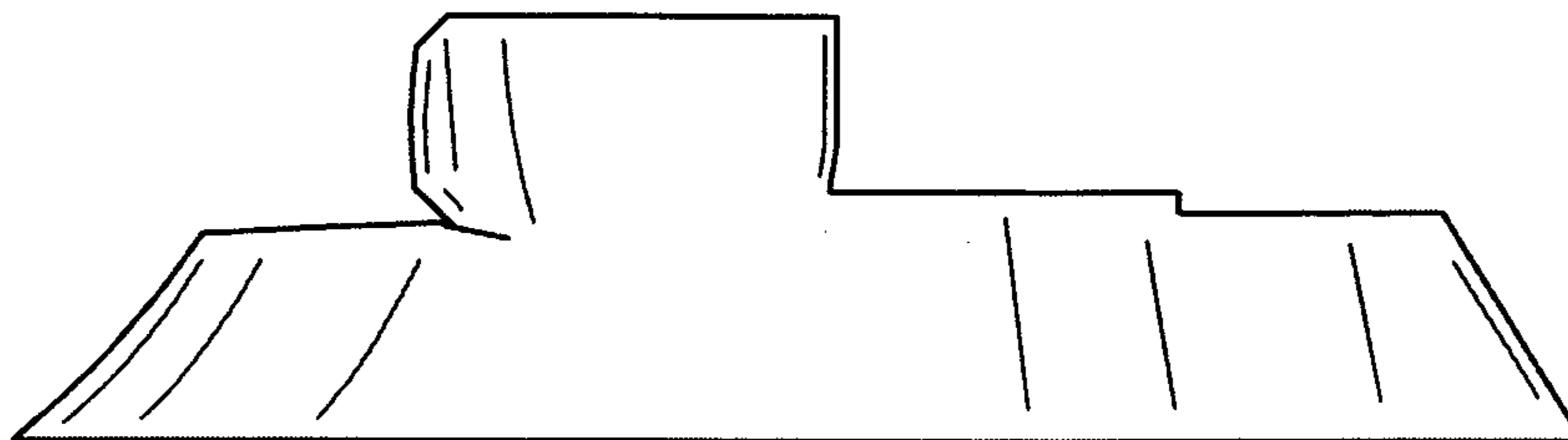


FIG. 4

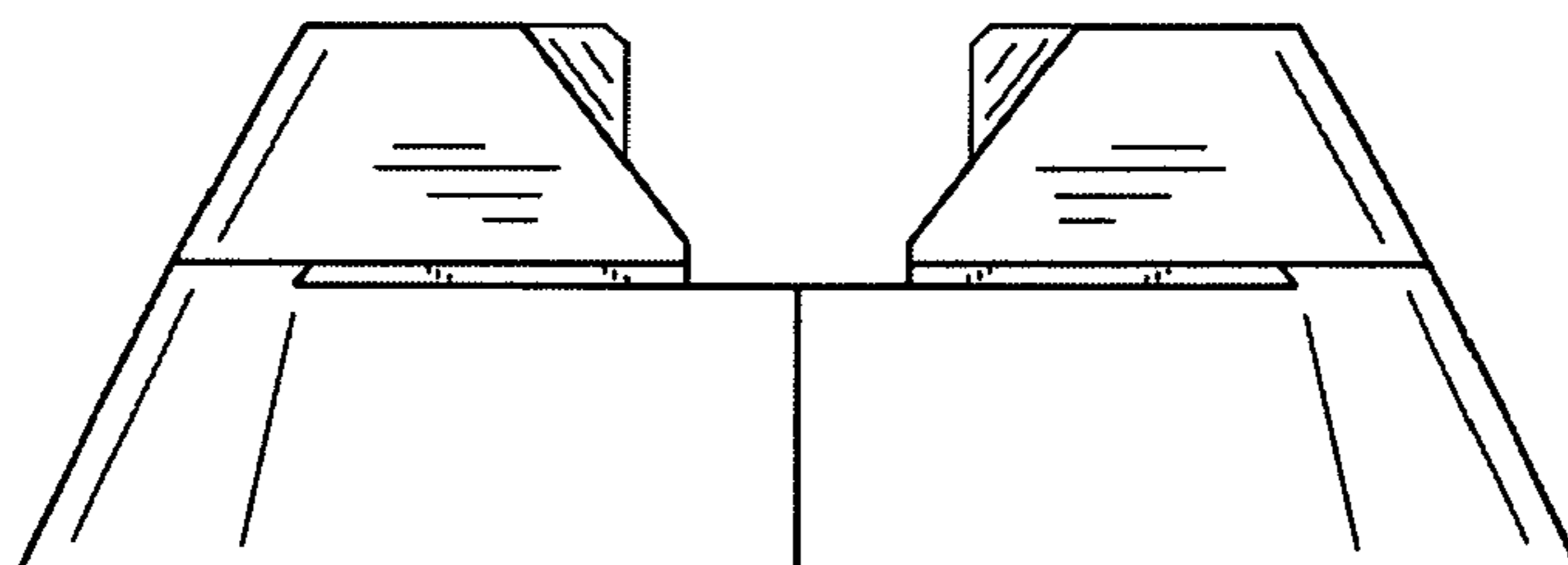


FIG. 5

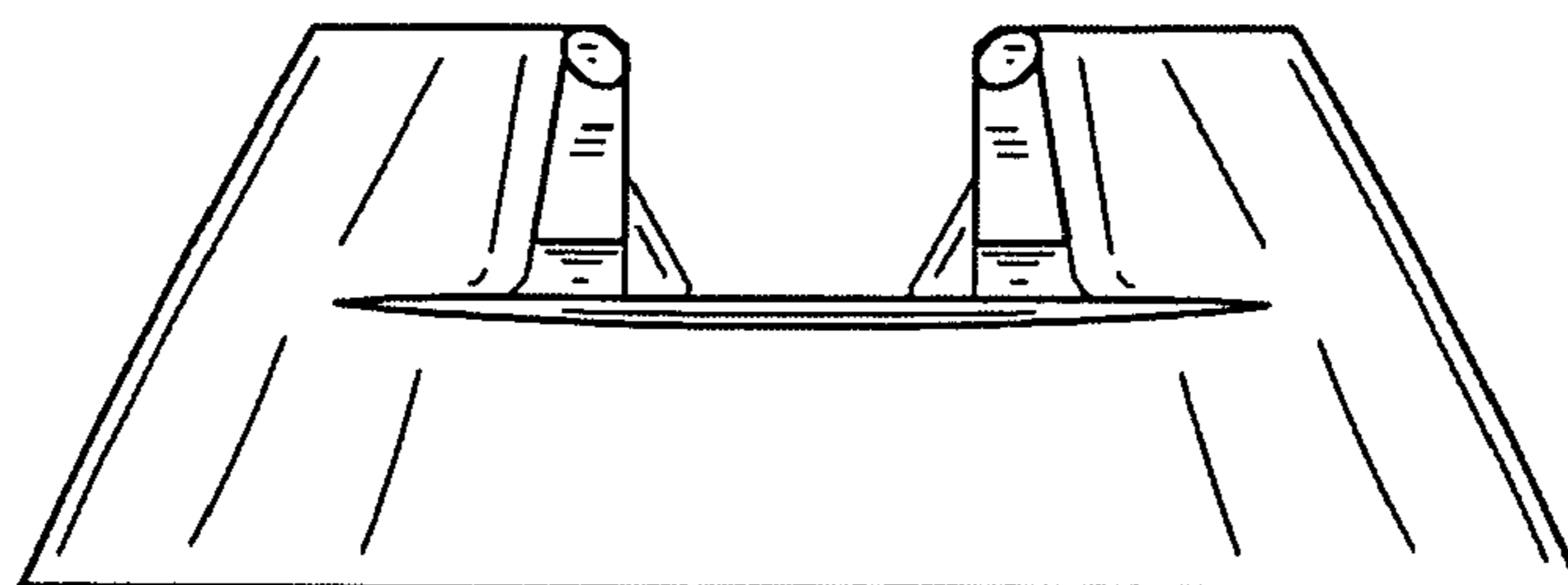


FIG. 6

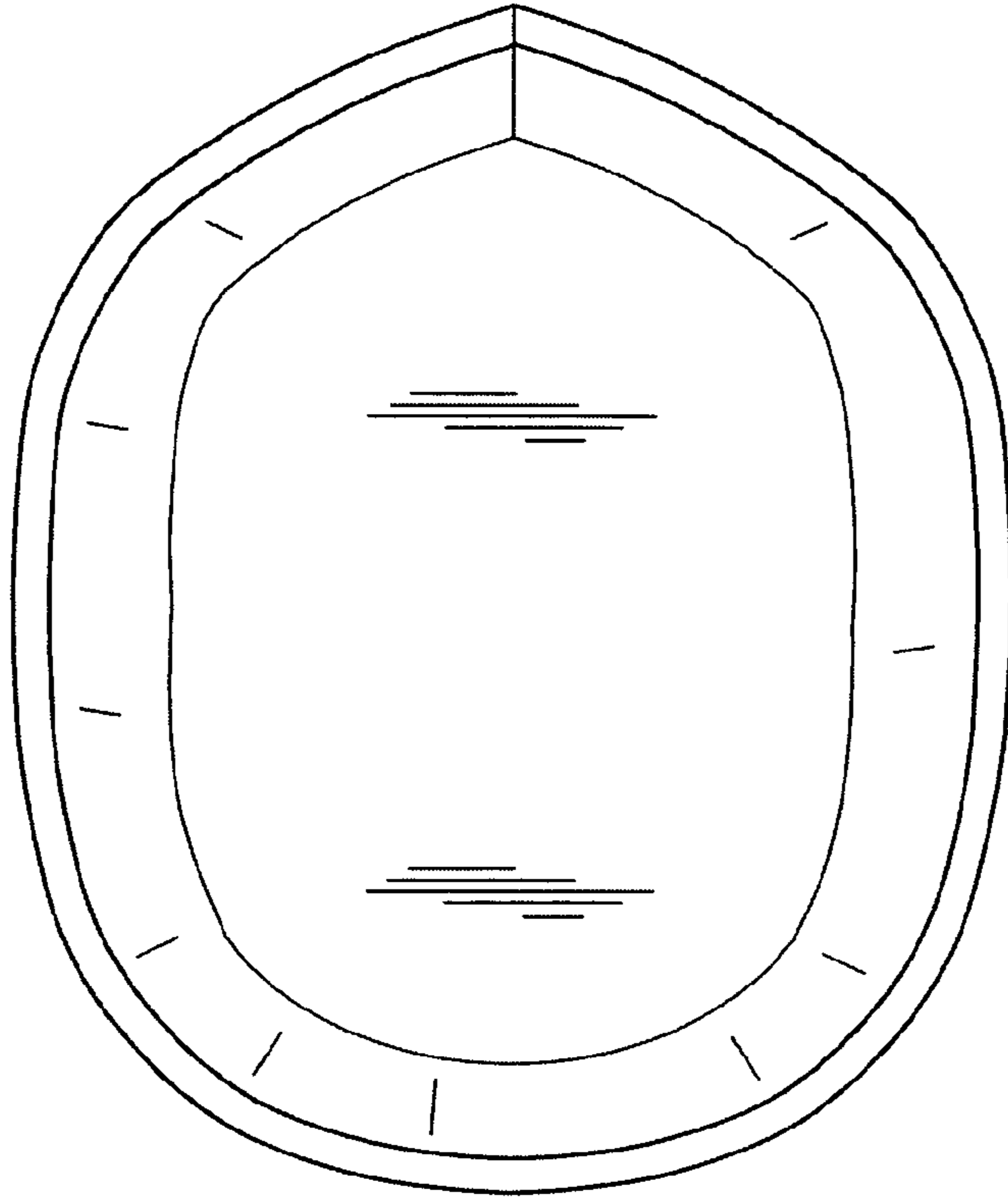


FIG. 7

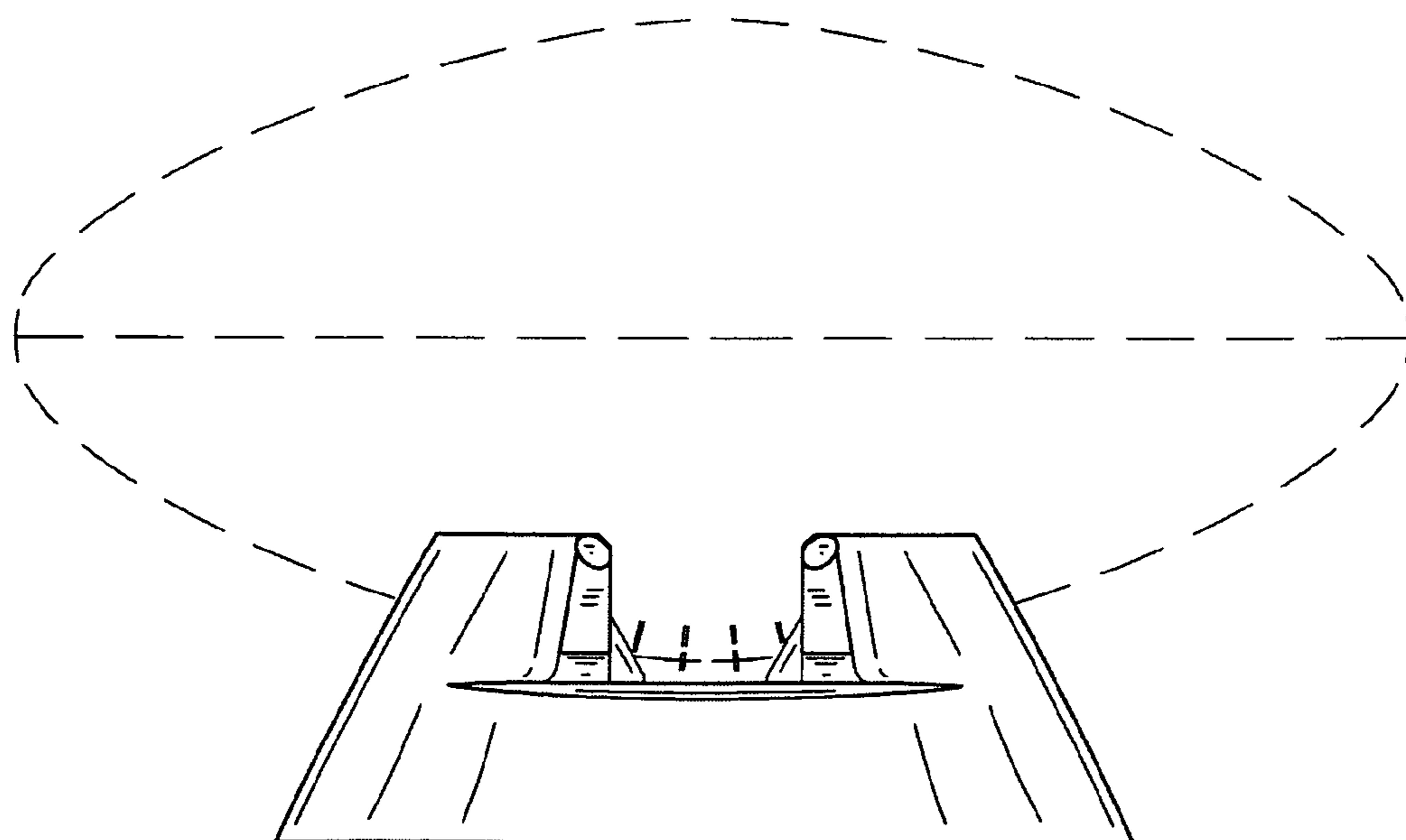


FIG. 8

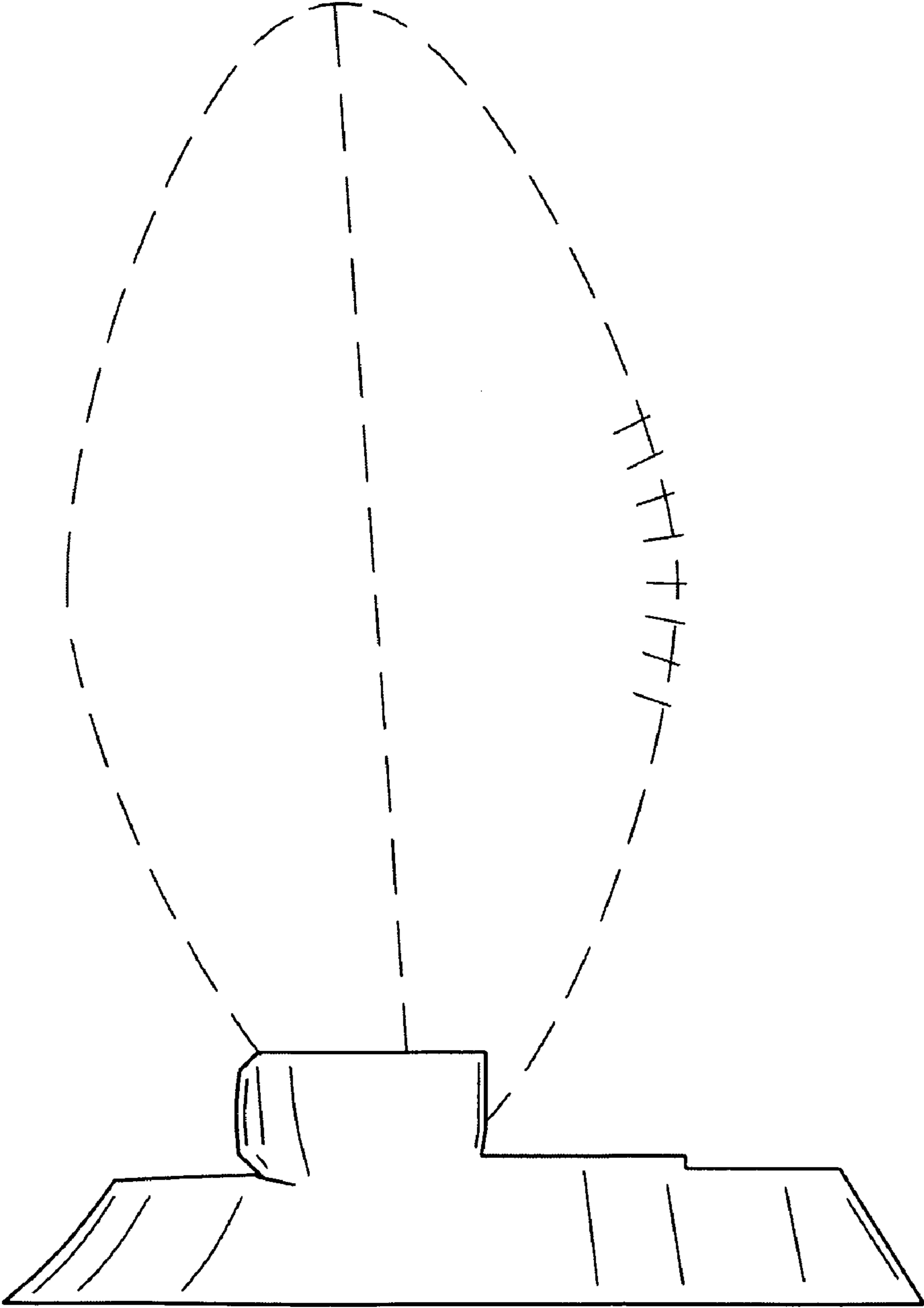


FIG. 9

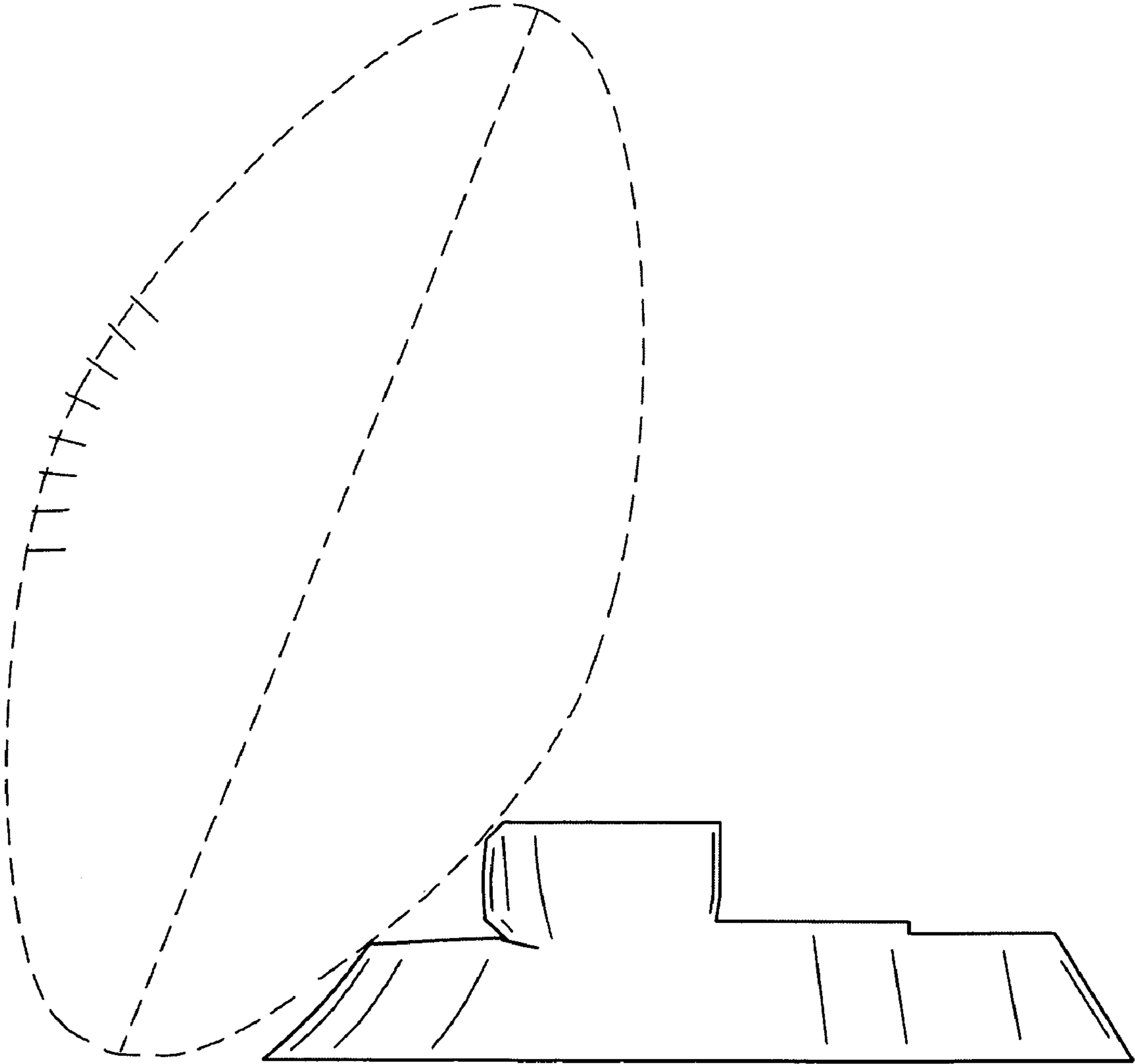


FIG. 10

