



US00D634796S

(12) **United States Design Patent**
Batiste et al.

(10) **Patent No.:** **US D634,796 S**
(45) **Date of Patent:** **** Mar. 22, 2011**

(54) **PORTABLE EXERCISE DEVICE**
(75) Inventors: **Stanley Batiste**, Granite Bay, CA (US);
Steven Achstein, Roseville, CA (US);
Temujin Kuechle, Santa Cruz, CA (US)

(73) Assignee: **Myopower, Inc.**, Fernley, NV (US)

(**) Term: **14 Years**

(21) Appl. No.: **29/348,987**

(22) Filed: **Feb. 25, 2010**

(51) **LOC (9) Cl.** **21-02**

(52) **U.S. Cl.** **D21/684; D21/694**

(58) **Field of Classification Search** D21/662,
D21/684, 692-694; 482/44, 49, 82, 109,
482/114, 118, 119, 121, 126, 128, 139, 141
See application file for complete search history.

(56) **References Cited**

U.S. PATENT DOCUMENTS

2,725,232	A *	11/1955	Magida	482/118
3,515,384	A *	6/1970	Alexander	482/119
4,374,588	A *	2/1983	Ruggles	482/118
4,465,276	A *	8/1984	Cox	482/126
5,246,413	A *	9/1993	Koblick	482/126

5,743,830	A *	4/1998	Ho	482/44
6,139,476	A *	10/2000	Gallant	482/114
6,561,959	B2 *	5/2003	Batiste	482/126
6,773,378	B2 *	8/2004	Bastyr et al.	482/115
7,008,354	B2 *	3/2006	Wen	482/127
7,789,815	B2 *	9/2010	An	482/126
D626,188	S *	10/2010	Bisson	D21/684

* cited by examiner

Primary Examiner — Susan E Krakower

(74) *Attorney, Agent, or Firm* — Weide & Miller, Ltd.

(57) **CLAIM**

The ornamental design for a portable exercise device, as shown and described.

DESCRIPTION

FIG. 1 is a perspective view of the portable exercise device; FIG. 2 is a top view of the portable exercise device; FIG. 3 is a side view of the portable exercise device; FIG. 4 is a bottom view of the portable exercise device; FIG. 5 is a front view of the portable exercise device; and, FIG. 6 is a back view of the portable exercise device. The broken lines showing handle elements in FIG. 1 illustrates environmental portions of the portable exercise device and forms no part of the claimed design.

1 Claim, 3 Drawing Sheets

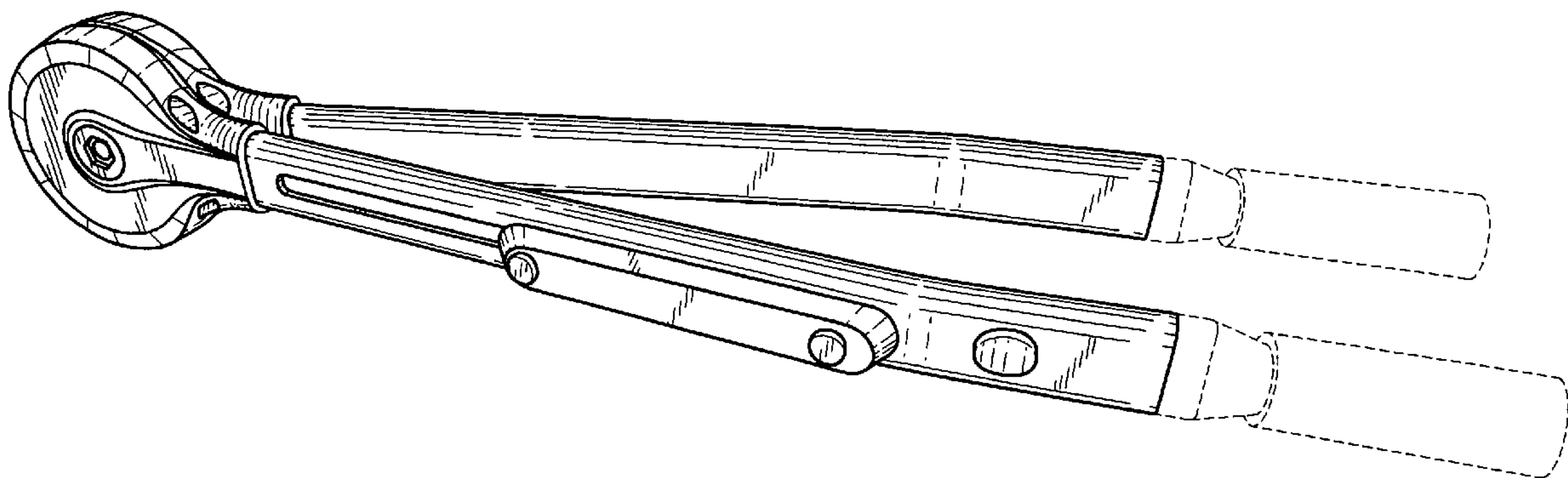


FIG. 1

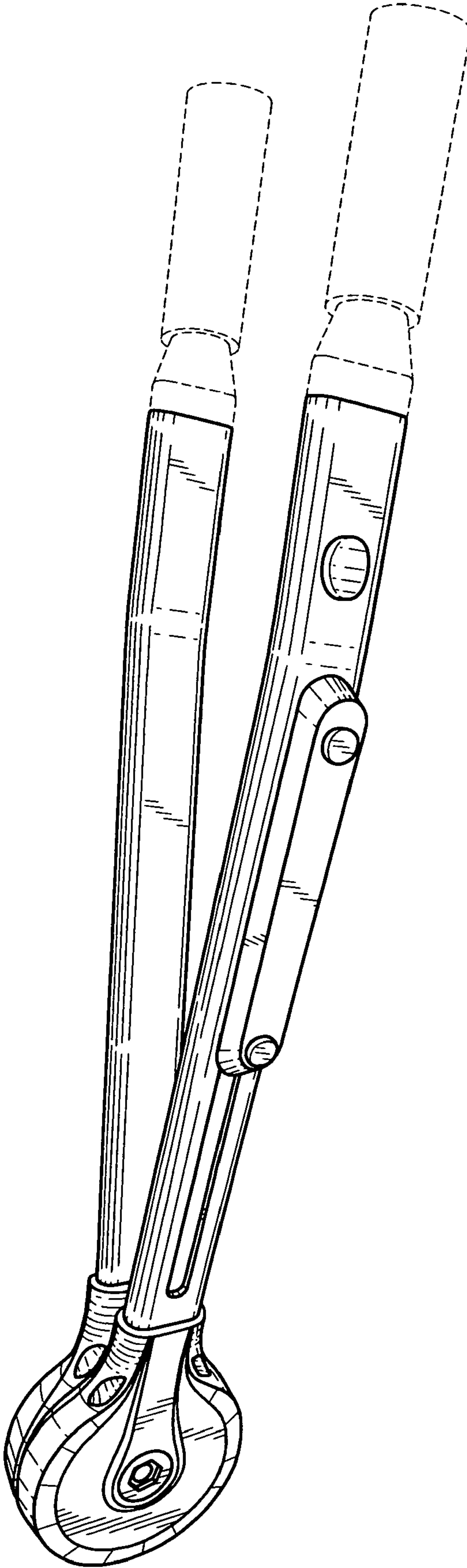


FIG. 2

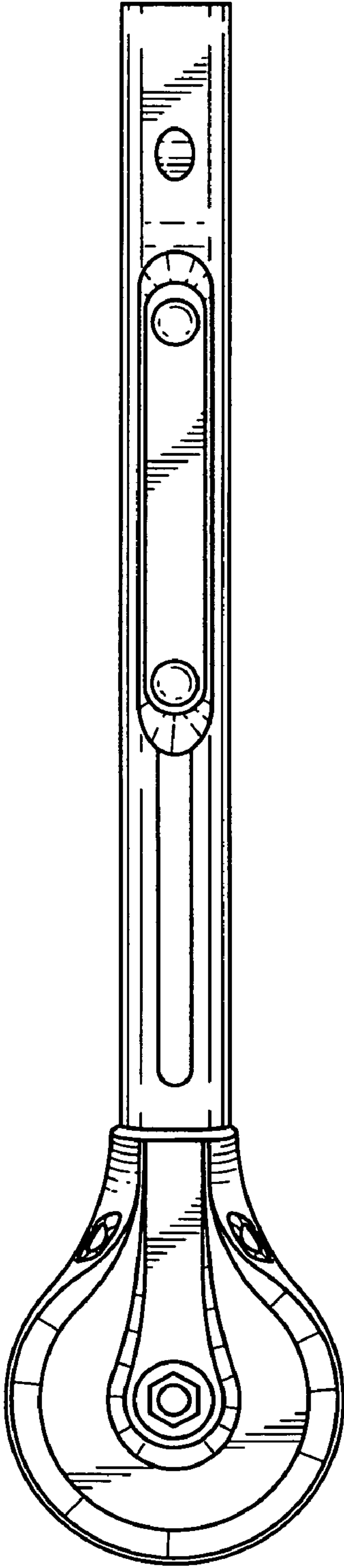


FIG. 3

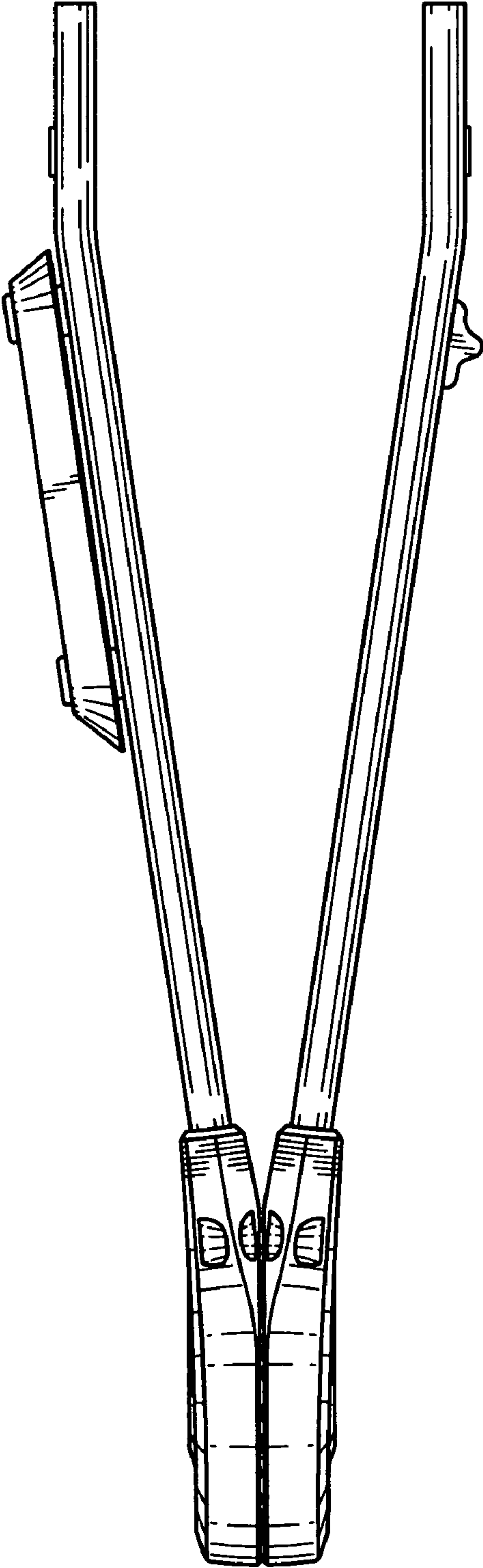


FIG. 4

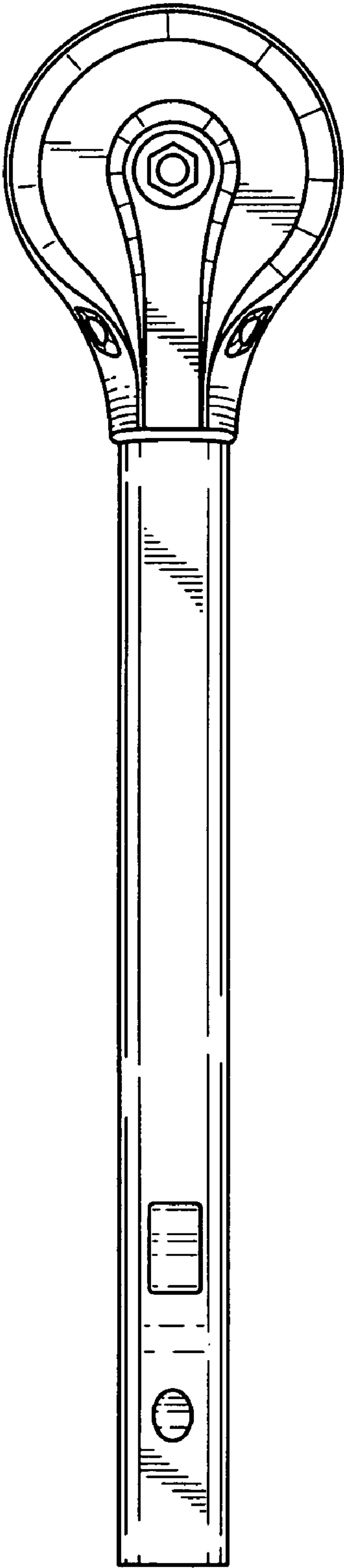


FIG. 5

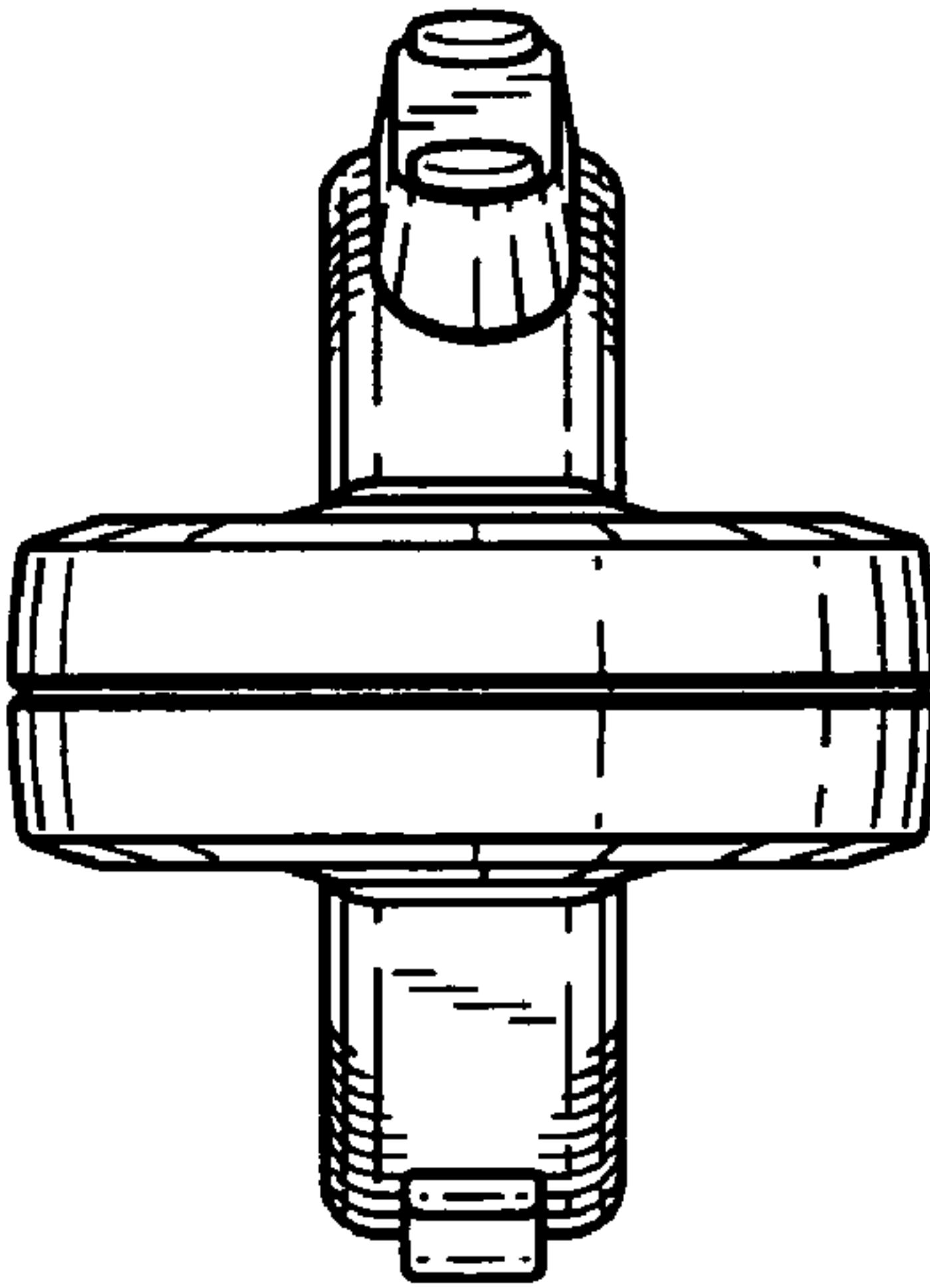


FIG. 6

