



US00D634791S

(12) **United States Design Patent**
Isetani et al.

(10) **Patent No.:** **US D634,791 S**
(45) **Date of Patent:** **** Mar. 22, 2011**

(54) **GAME MACHINE**

(56)

References Cited

(75) Inventors: **Yoshitsugu Isetani**, Tokyo (JP); **Yukie Tahara**, Tokyo (JP); **Takao Kumaki**, Tokyo (JP)

(73) Assignee: **Konami Digital Entertainment Co., Ltd.**, Tokyo (JP)

(**) Term: **14 Years**

(21) Appl. No.: **29/348,734**

(22) Filed: **Feb. 2, 2010**

(30) **Foreign Application Priority Data**

Aug. 6, 2009 (JP) D2009-018088

(51) **LOC (9) Cl.** **21-01**

(52) **U.S. Cl.** **D21/324; D21/325**

(58) **Field of Classification Search** D21/324,
D21/328, 333; D14/401, 412-416, 496,
D14/432; 273/148 B; 463/1, 29-35, 46,
463/47; D17/1, 2; 84/411 R, 412, 418, 421,
84/422.1, 428 R, 453

See application file for complete search history.

U.S. PATENT DOCUMENTS

5,531,148	A *	7/1996	Wilson	84/412
5,566,911	A *	10/1996	Hoshino	248/124.1
D387,374	S *	12/1997	Kawada	D17/22
D412,540	S *	8/1999	Chen	D21/405
5,986,197	A *	11/1999	Allen	84/411 M
D441,403	S *	5/2001	Muraki et al.	D21/333
D455,792	S	4/2002	Isetani et al.	
D505,424	S *	5/2005	Ashida et al.	D14/401
7,294,775	B1 *	11/2007	Spoljaric, Jr.	84/421
D597,142	S *	7/2009	Labeledz et al.	D21/325
D607,945	S *	1/2010	Guinchard et al.	D21/324
D609,754	S *	2/2010	Labeledz et al.	D21/325

* cited by examiner

Primary Examiner — Prabhakar Deshmukh
(74) *Attorney, Agent, or Firm* — Jordan and Hamburg LLP

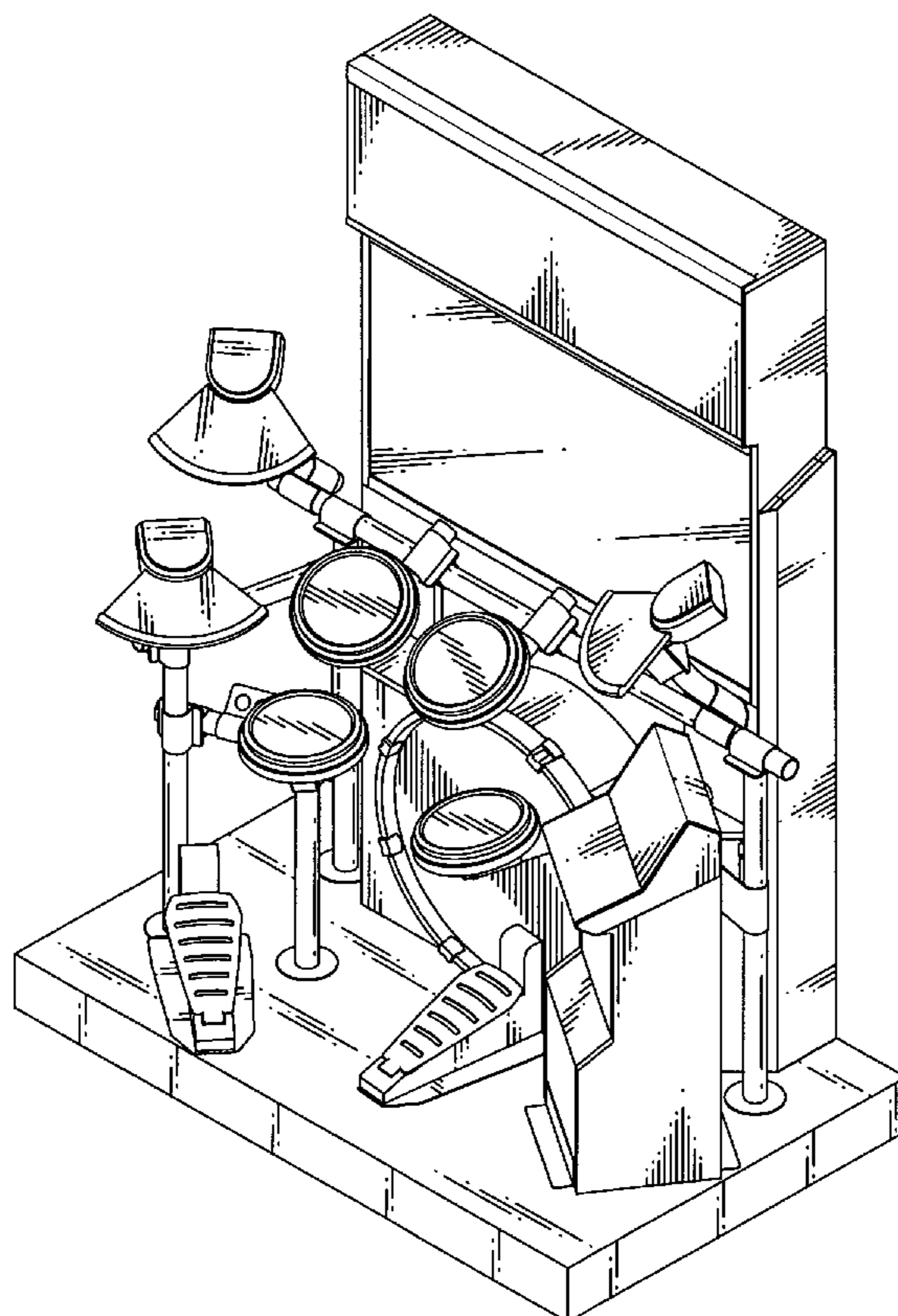
(57) **CLAIM**

The ornamental design for a game machine, as shown and described.

DESCRIPTION

FIG. 1 is a first perspective view of a game machine;
FIG. 2 is a second perspective view thereof;
FIG. 3 is a front view thereof;
FIG. 4 is a rear view thereof;
FIG. 5 is a left side view thereof;
FIG. 6 is a right side view thereof;
FIG. 7 is a top view thereof; and,
FIG. 8 is a bottom view thereof.

1 Claim, 8 Drawing Sheets



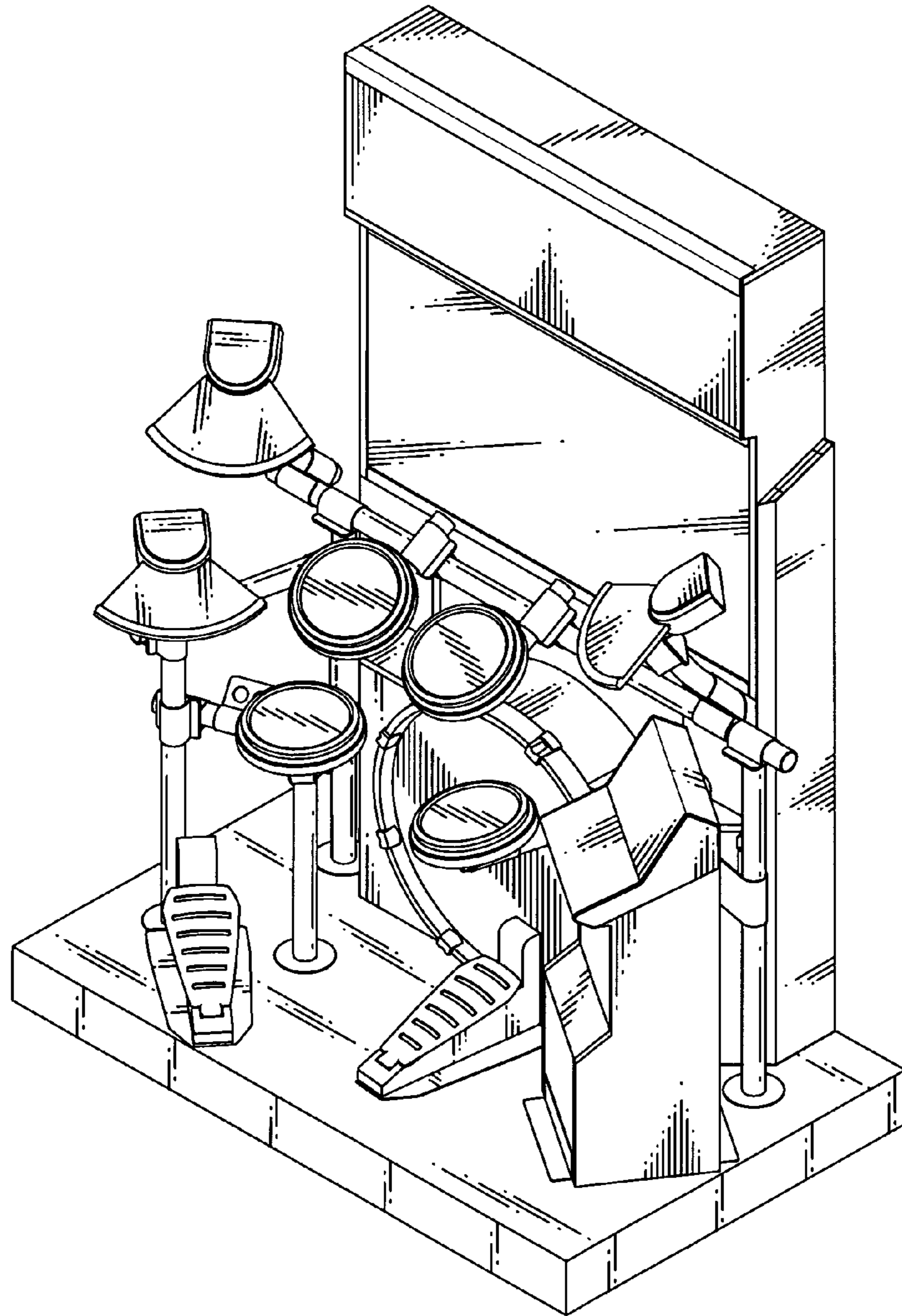


FIG. 1

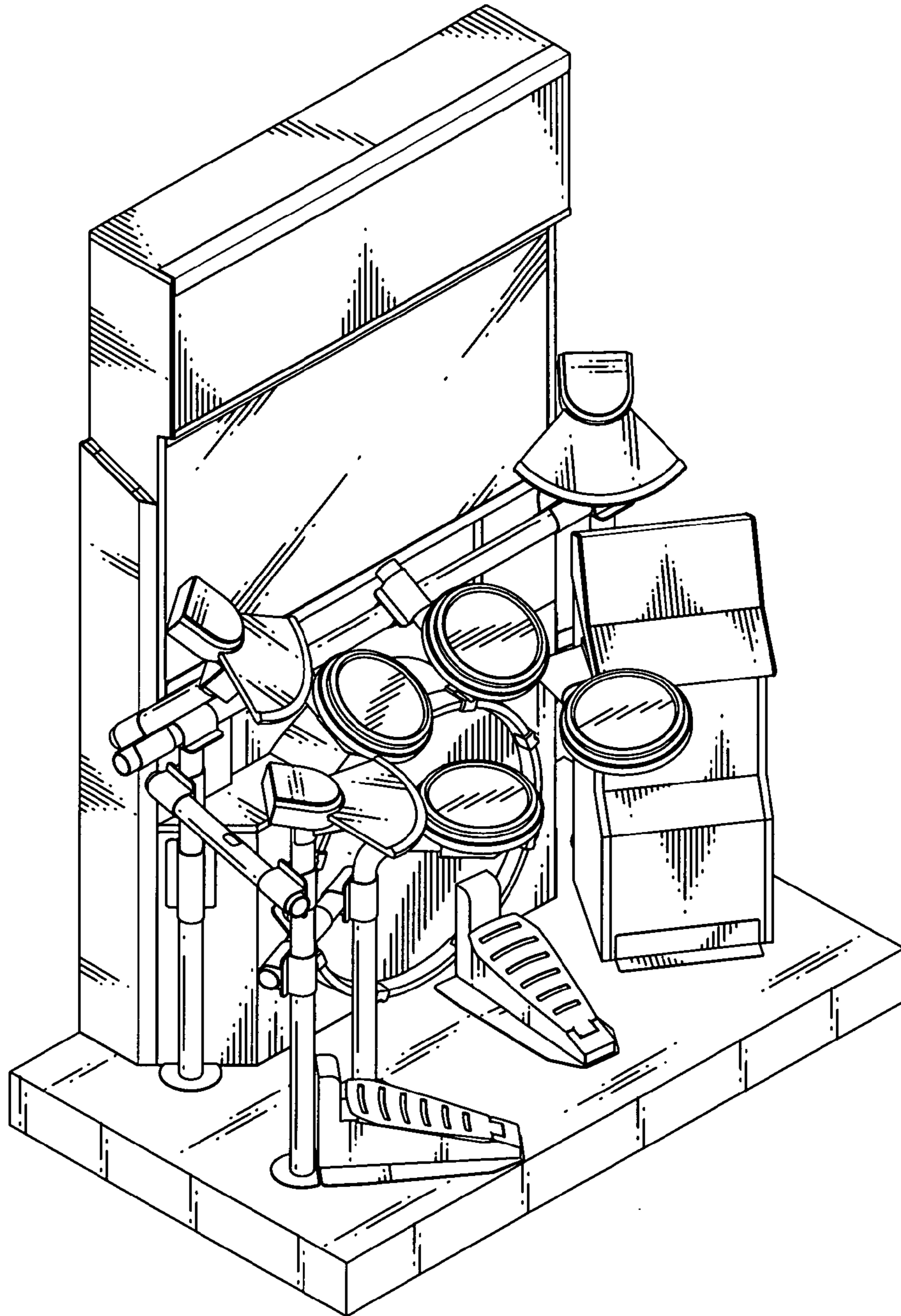


FIG. 2

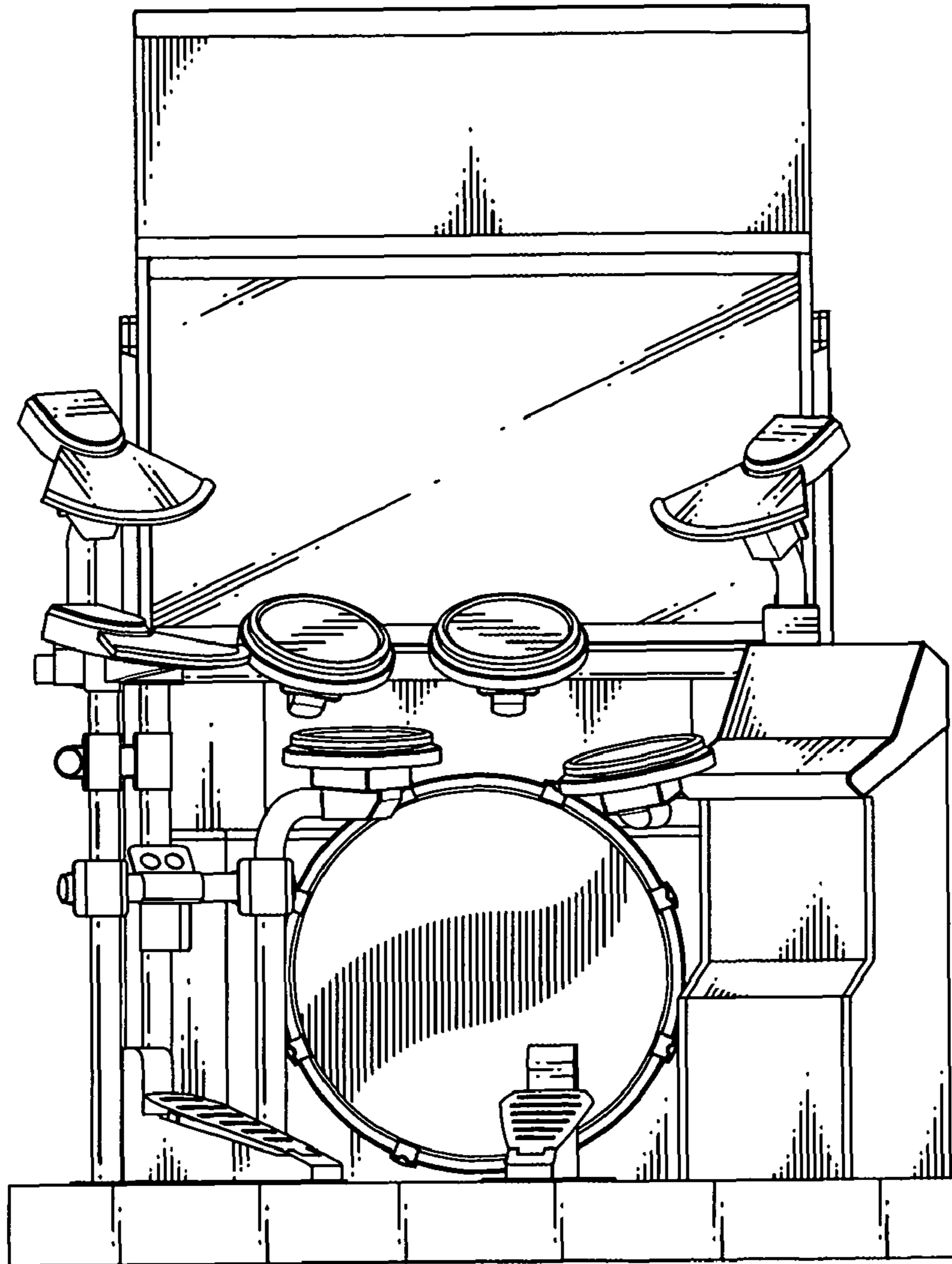


FIG.3

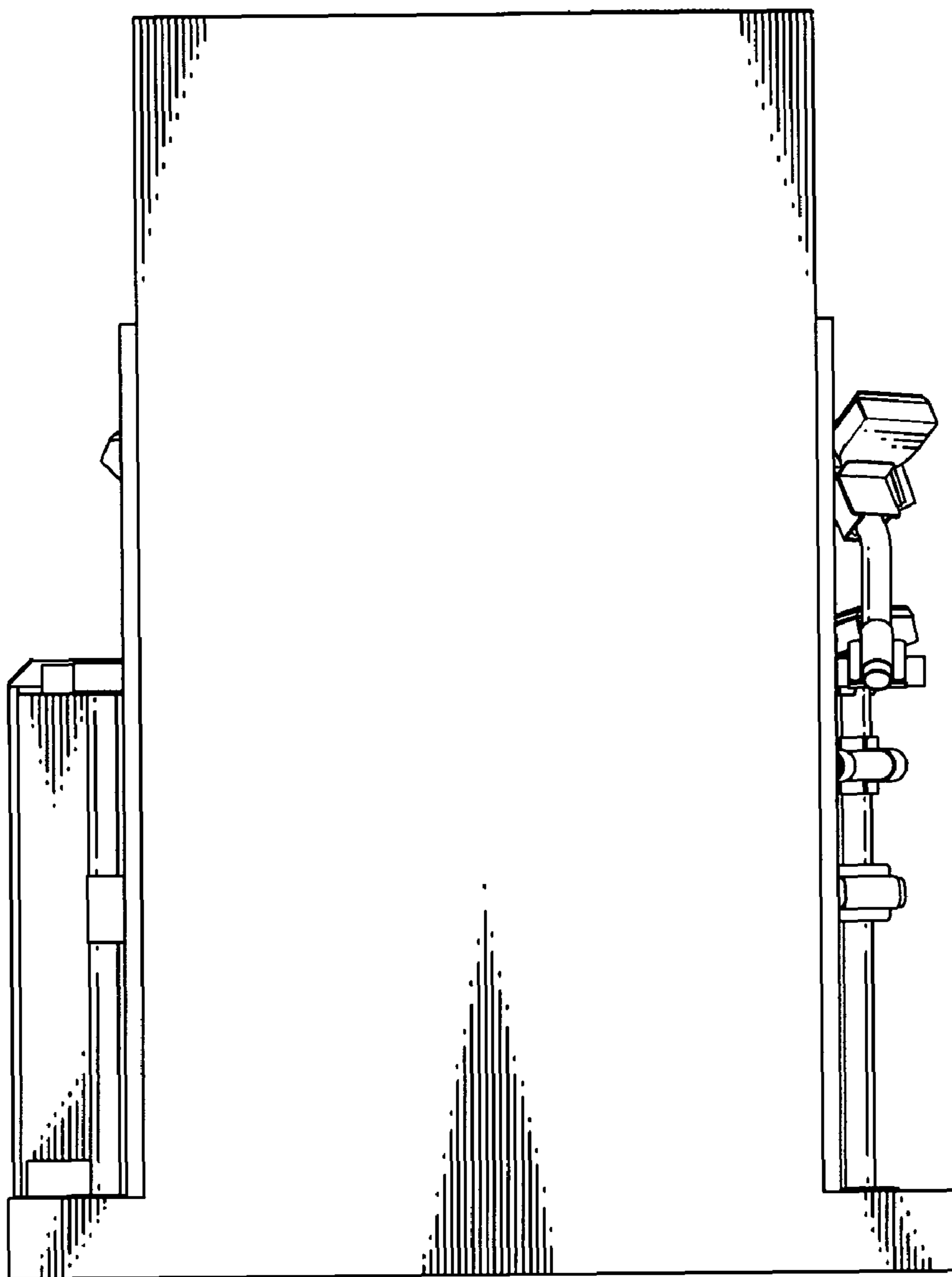


FIG.4

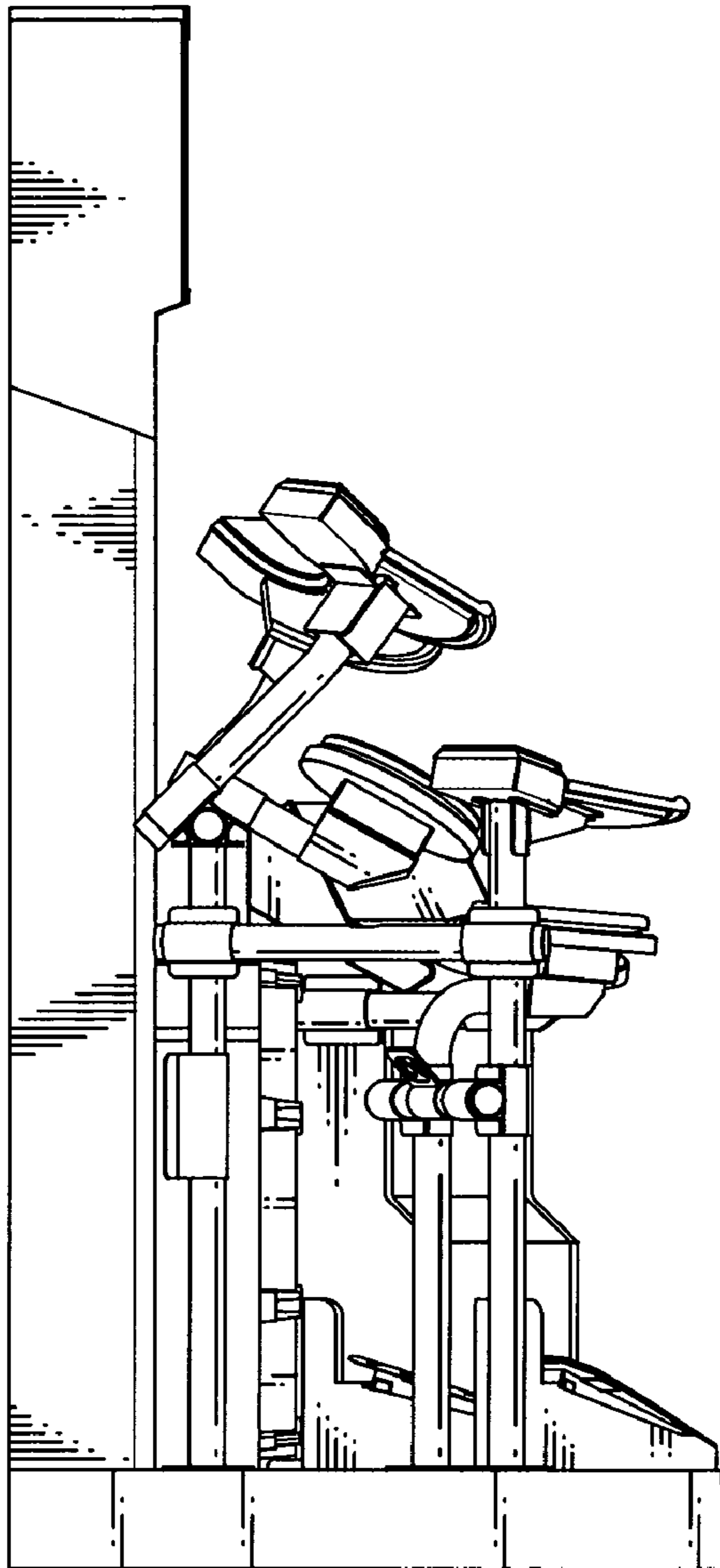


FIG.5

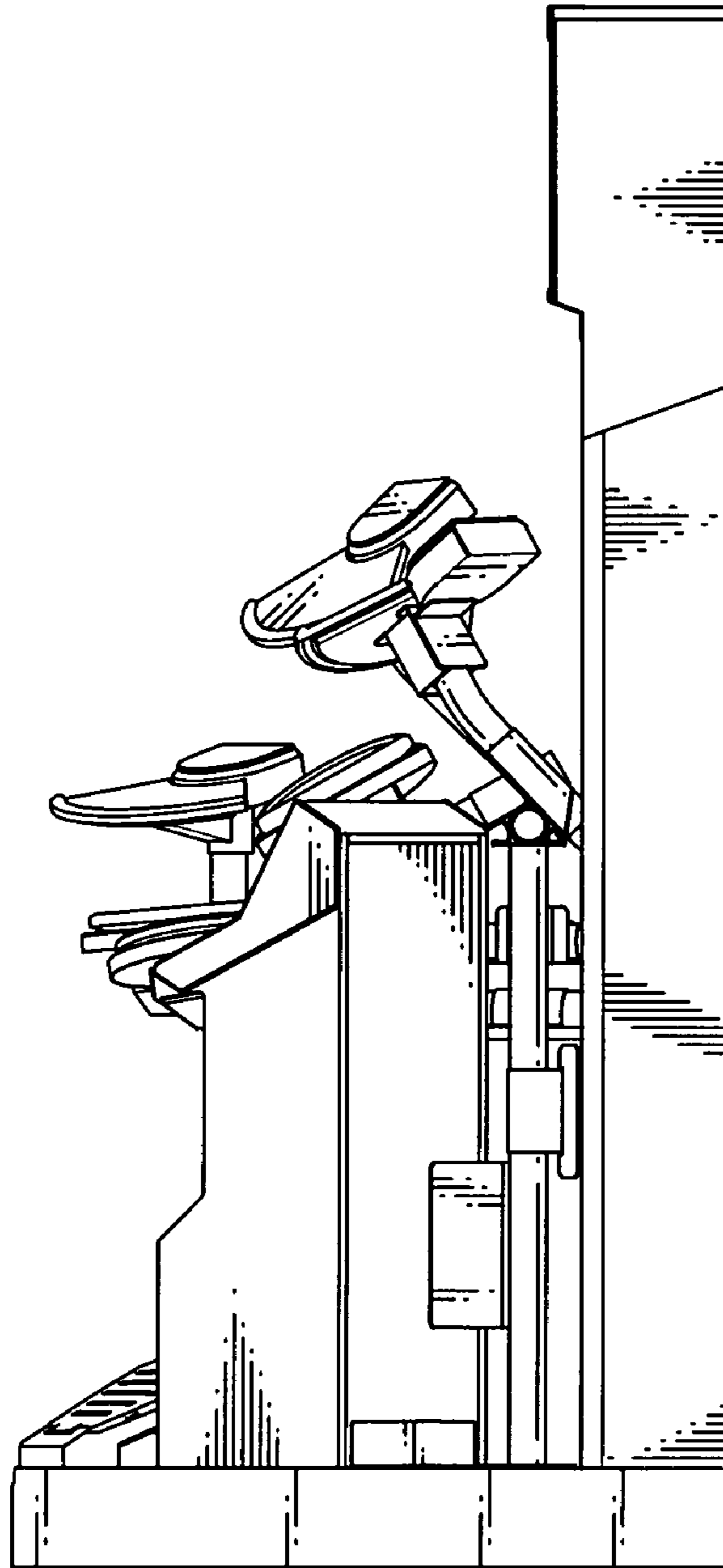


FIG.6

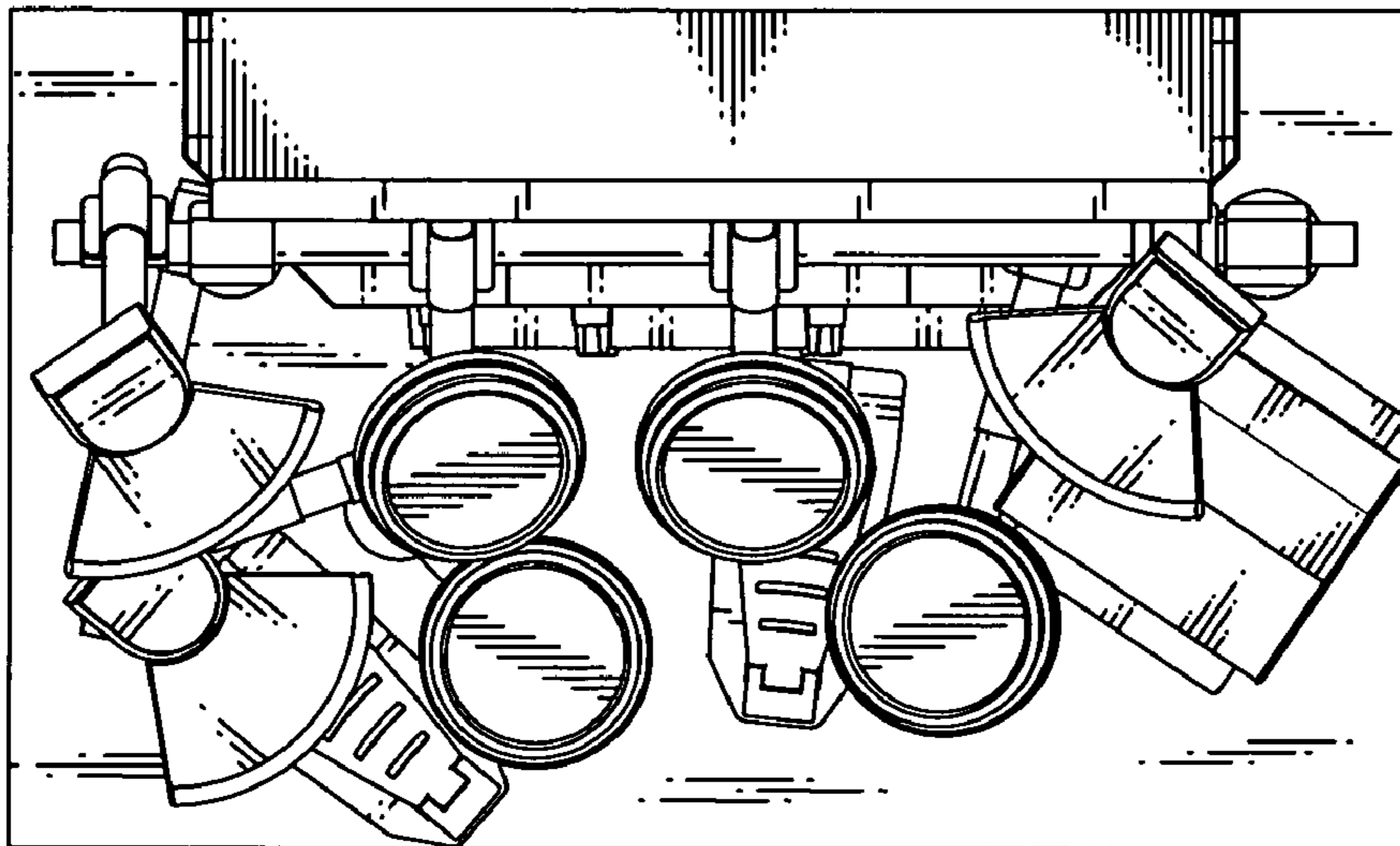


FIG.7

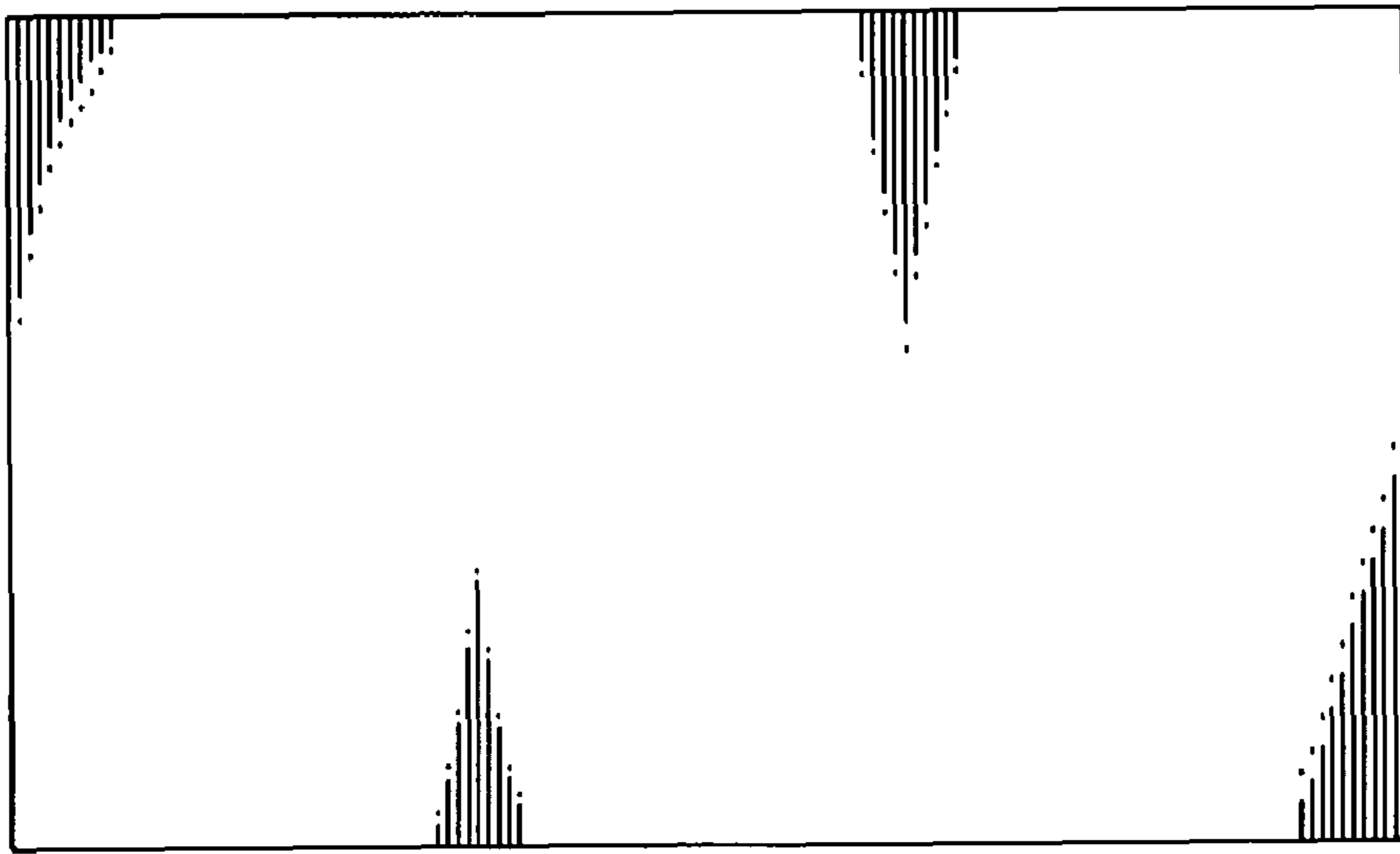


FIG.8